

[54] NAIL HOLDER

[75] Inventors: Robert F. West, West Simbury;
Francis W. MacGregor, New Britain,
both of Conn.

[73] Assignee: The Stanley Works, New Britain,
Conn.

[**] Term: 14 Years

[21] Appl. No.: 5,376

[22] Filed: Jan. 22, 1979

[51] Int. Cl. D8-05

[52] U.S. Cl. D8/72; D8/395

[58] Field of Search D8/395, 71, 72; D7/198;
145/46

[56]

References Cited

U.S. PATENT DOCUMENTS

- D. 199,840 12/1964 Marola D7/198
- D. 204,467 4/1966 Olson D8/395
- D. 212,444 10/1968 Coon D8/72
- D. 230,131 1/1974 Levinson D8/71
- 4,079,765 3/1978 Hatayan 145/46

Primary Examiner—Alan P. Douglas

[57]

CLAIM

The ornamental design for a nail holder, as shown.

DESCRIPTION

FIG. 1 is a perspective view of a nail holder showing our new design;

FIG. 2 is a plan view thereof;

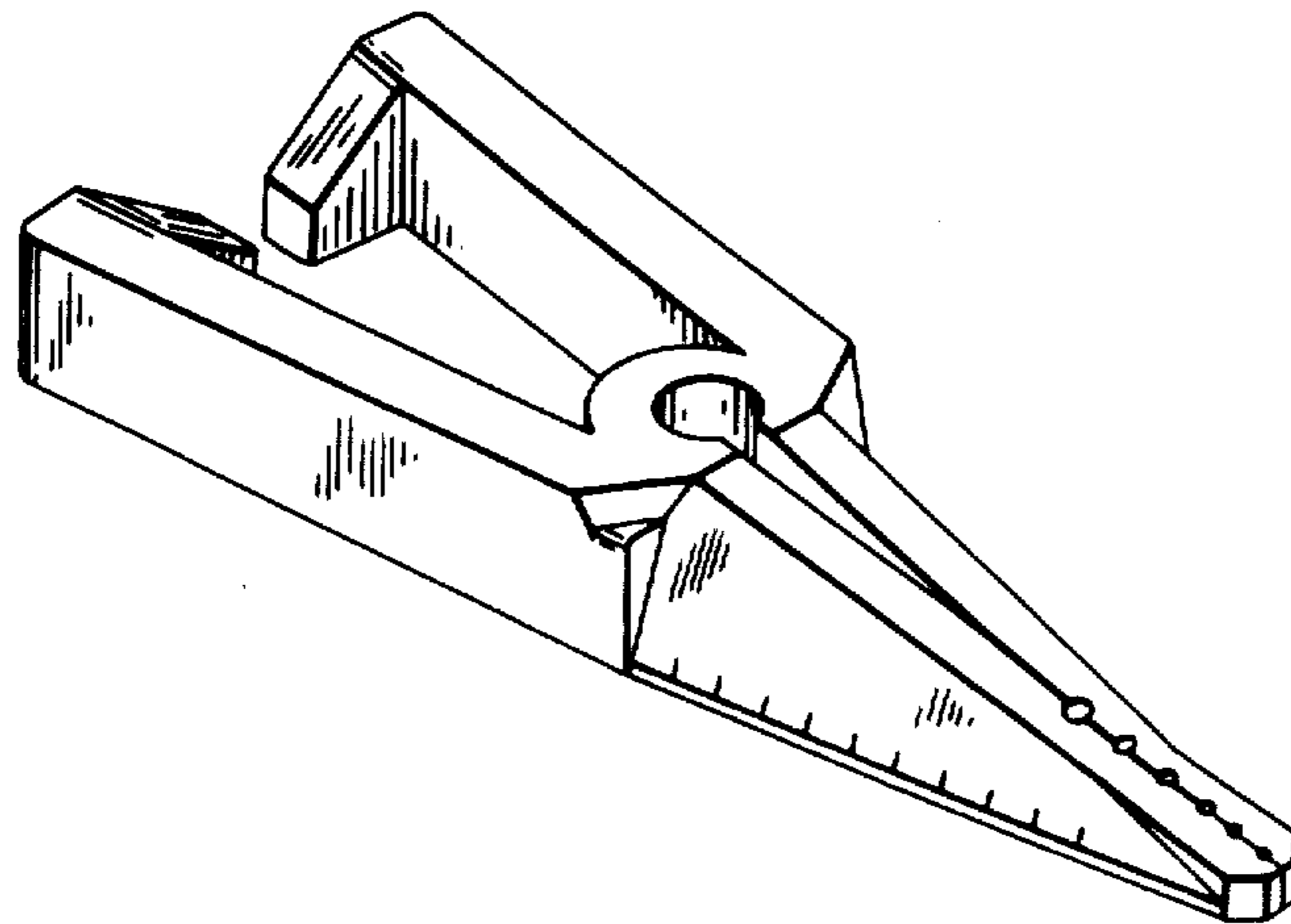
FIG. 3 is a side elevational view thereof;

FIG. 4 is a bottom view thereof;

FIG. 5 is an elevational view of the side opposite that illustrated in FIG. 3;

FIG. 6 is a front end elevational view thereof; and

FIG. 7 is a rear end elevational view thereof.



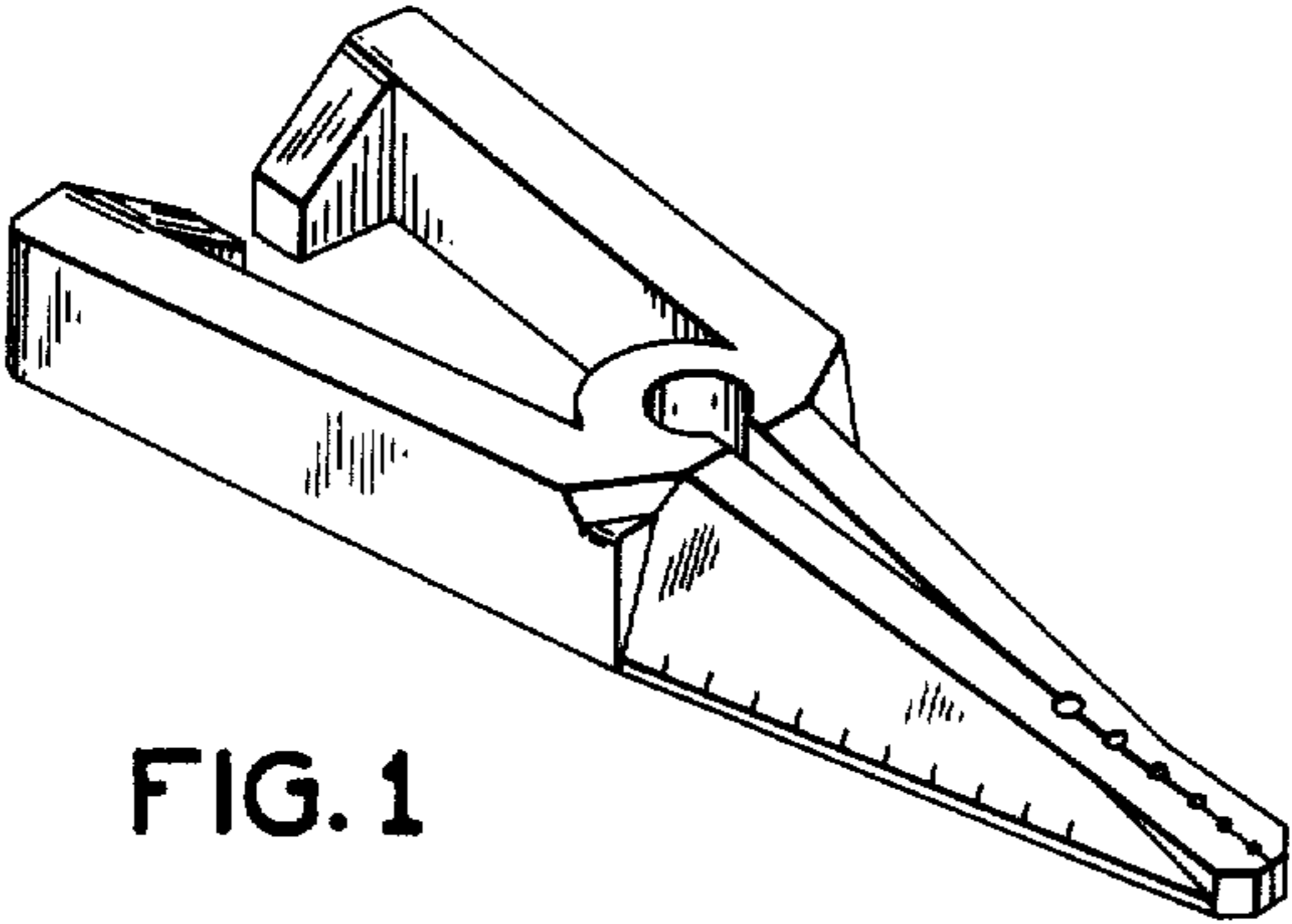


FIG. 1

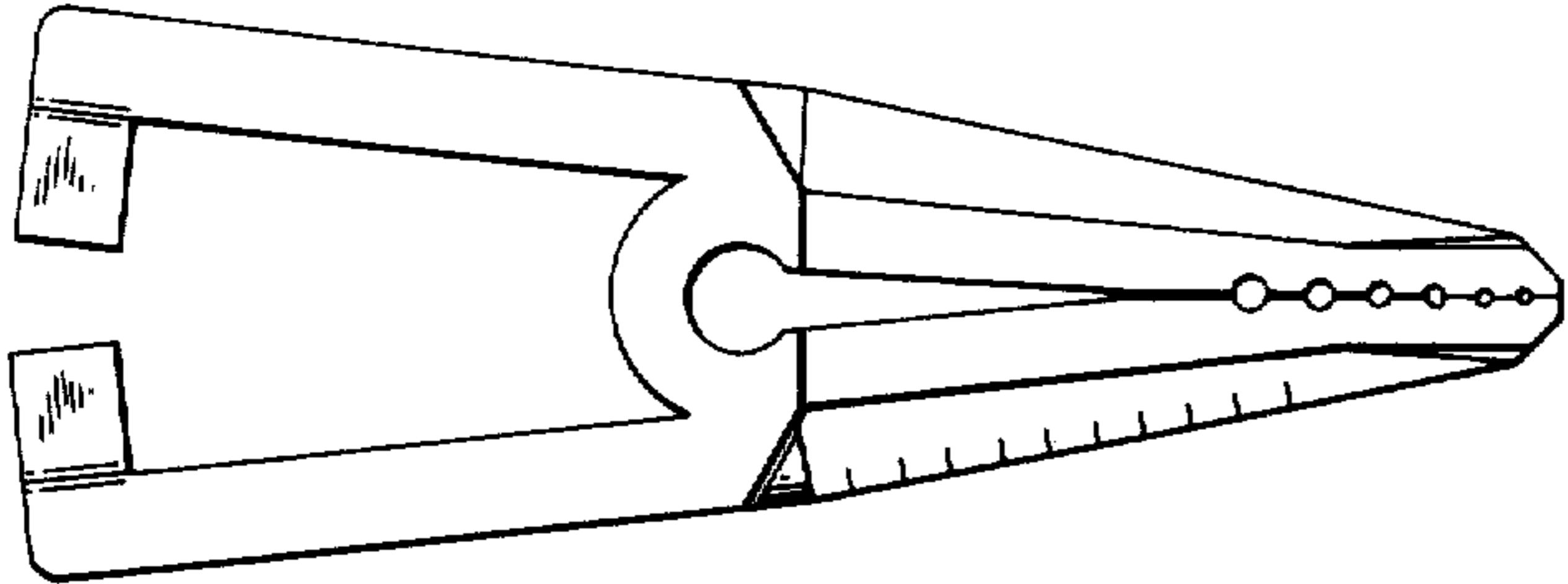


FIG. 2

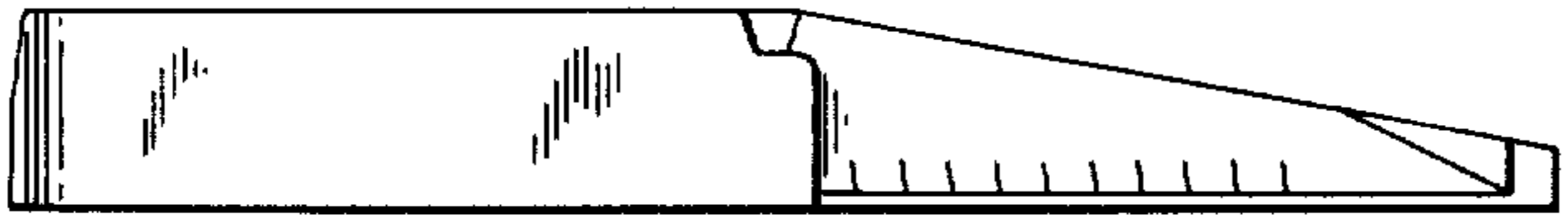


FIG. 3

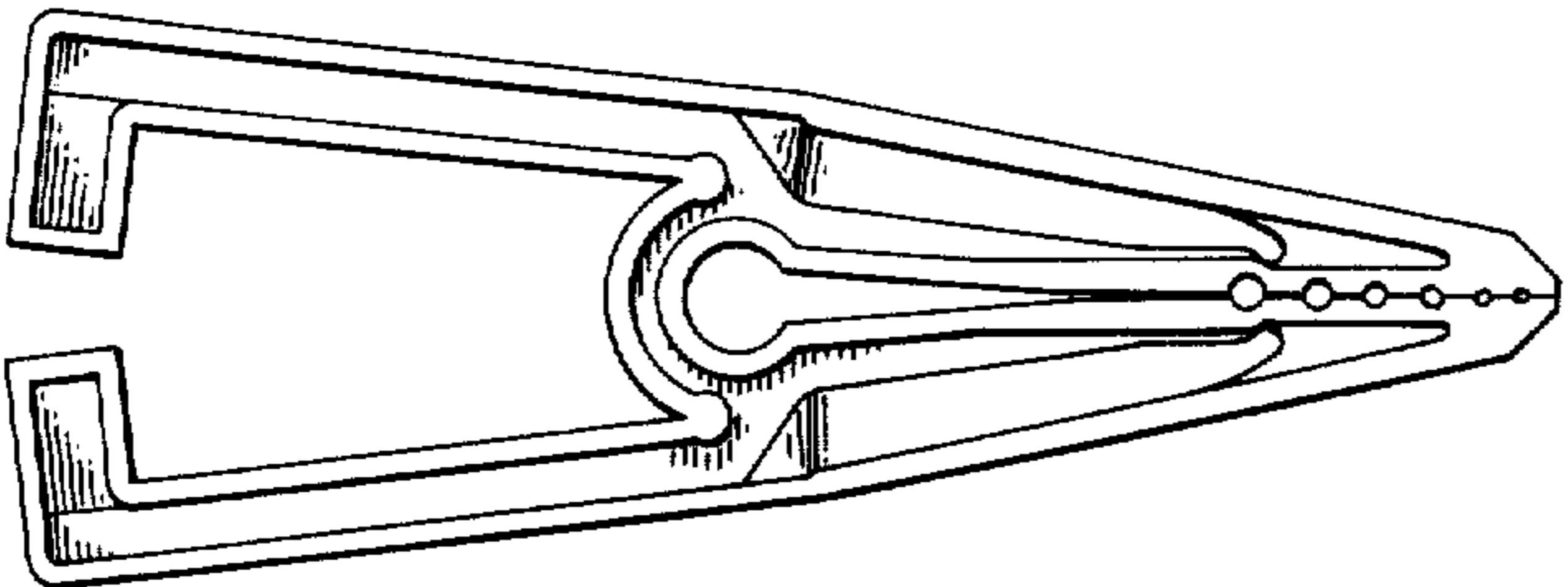


FIG. 4

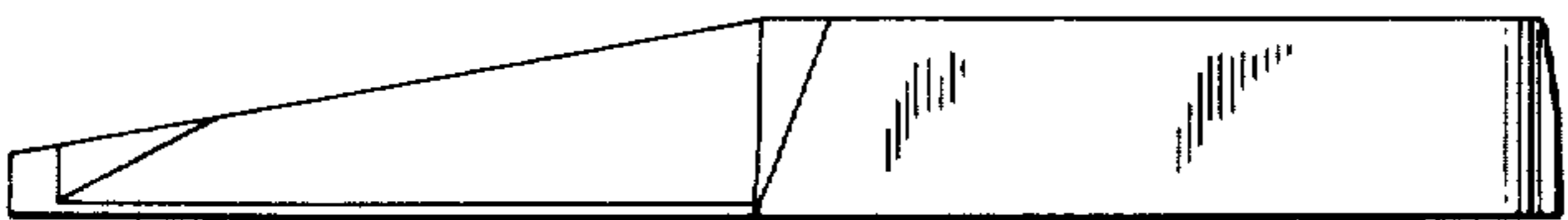


FIG. 5



FIG. 6

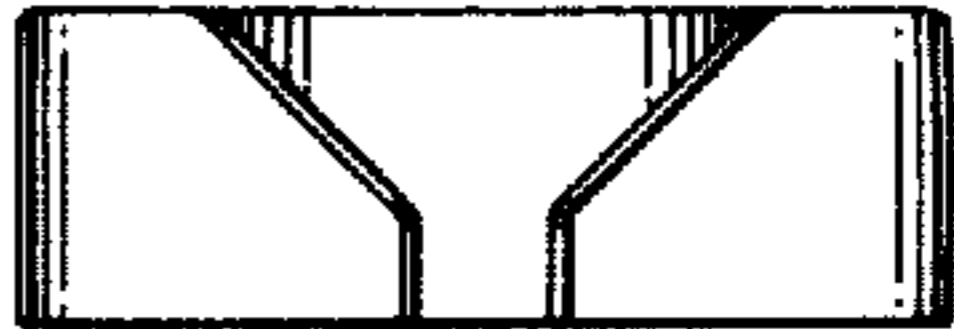


FIG. 7