

[54] BARBECUE DEVICE

3,792,564 2/1974 Turner 99/481 X

[75] Inventors: Henry H. Schifter; Kenneth B. Briegleb, both of El Mirage, Calif.

[73] Assignee: El Mirage Cooker Company, Adelanto, Calif.

[**] Term: 14 Years

[21] Appl. No.: 958,111

[22] Filed: Nov. 6, 1978

[51] Int. Cl. D7-02

[52] U.S. Cl. D7/108

[58] Field of Search D7/107, 108, 109, 110; 126/25 R, 25 A, 25 AA, 25 B, 25 C, 29, 30, 9 R, 9 A, 9 B, 268, 276; 99/467, 473, 481, 482, 444, 446, 447, 450, 419, 421

[56] References Cited

U.S. PATENT DOCUMENTS

D. 144,573 4/1946 Moore 126/25 R X
2,626,559 1/1953 Ray 99/444 X

OTHER PUBLICATIONS

Home Furnishings Daily-Jan. 15, 1963-p. 56-Big Dad Barbecue Smoker.

Home Furnishings Daily-Oct. 1, 1964-p. 11-Glaser Products Inc. Smoker Wagon.

Primary Examiner-Catherine E. Kemper
Attorney, Agent, or Firm-Marvin H. Kleinberg

[57] CLAIM

The ornamental design for a barbecue device, as shown and described.

DESCRIPTION

FIG. 1 is a perspective view of a barbecue device, showing our new design;

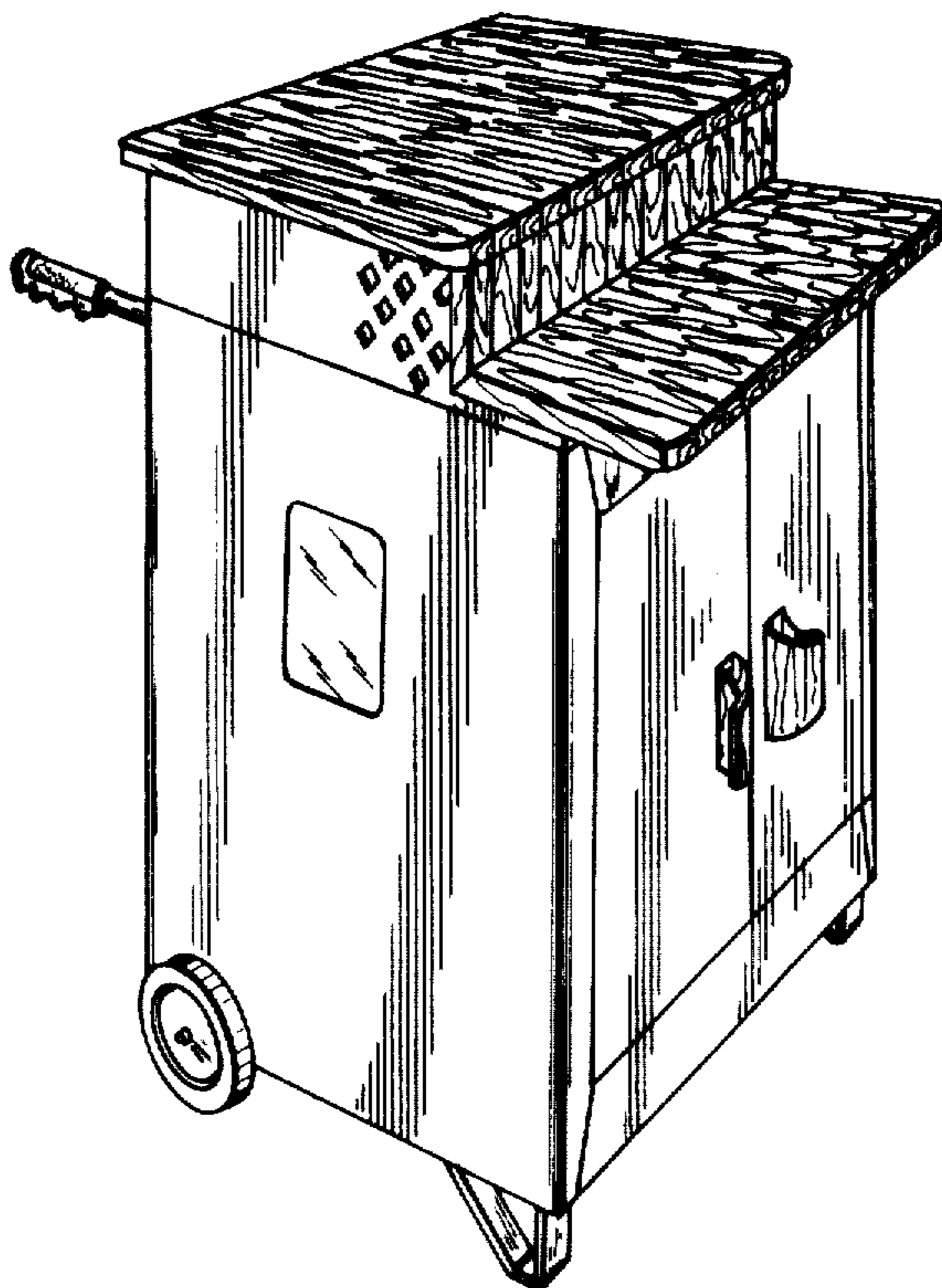
FIG. 2 is a right side elevational view thereof;

FIG. 3 is a top plan view thereof;

FIG. 4 is a rear elevational view thereof;

FIG. 5 is a bottom plan view thereof;

FIG. 6 is a front elevational view of the barbecue device shown with the front doors open.



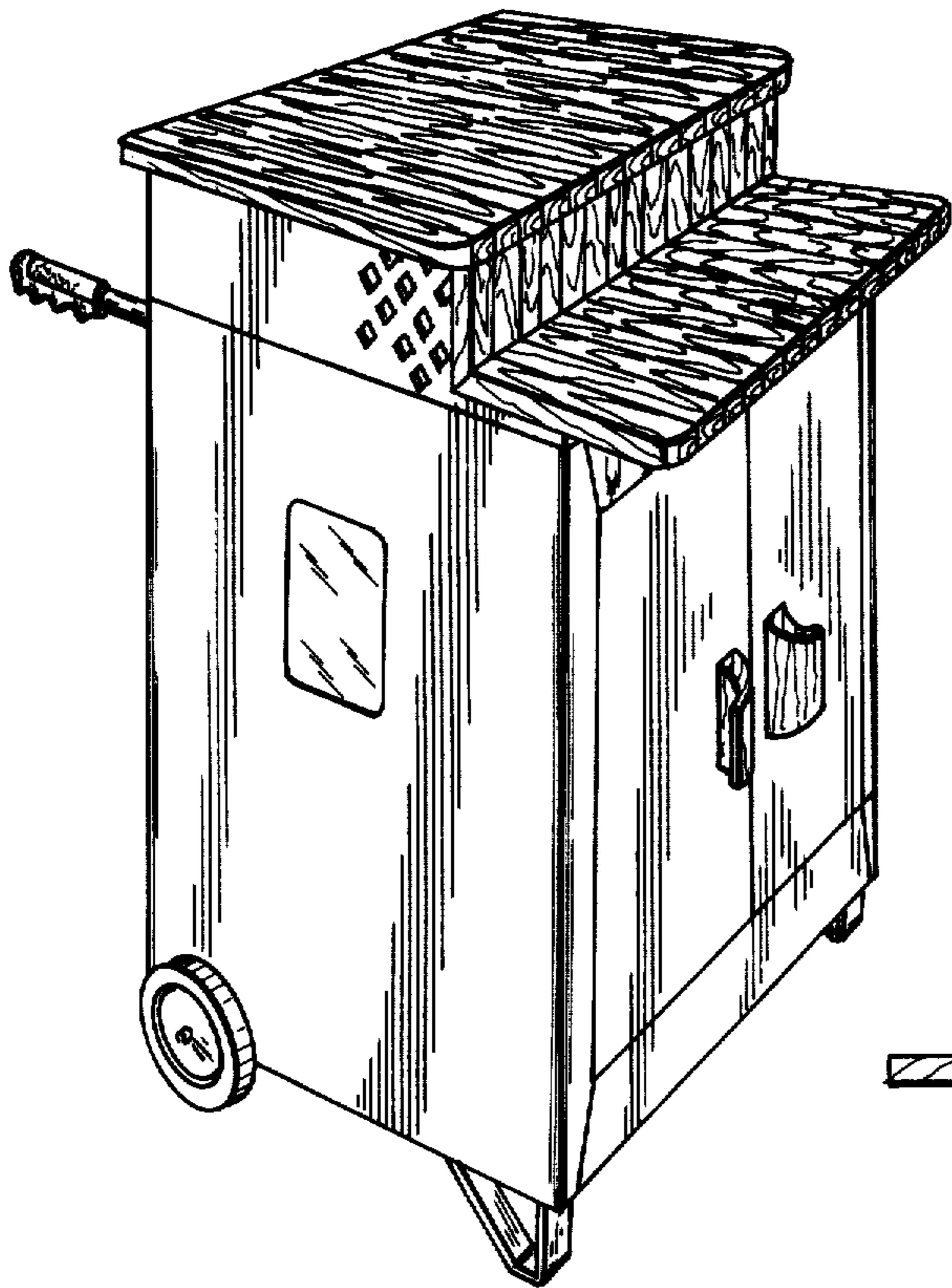


Fig. 1

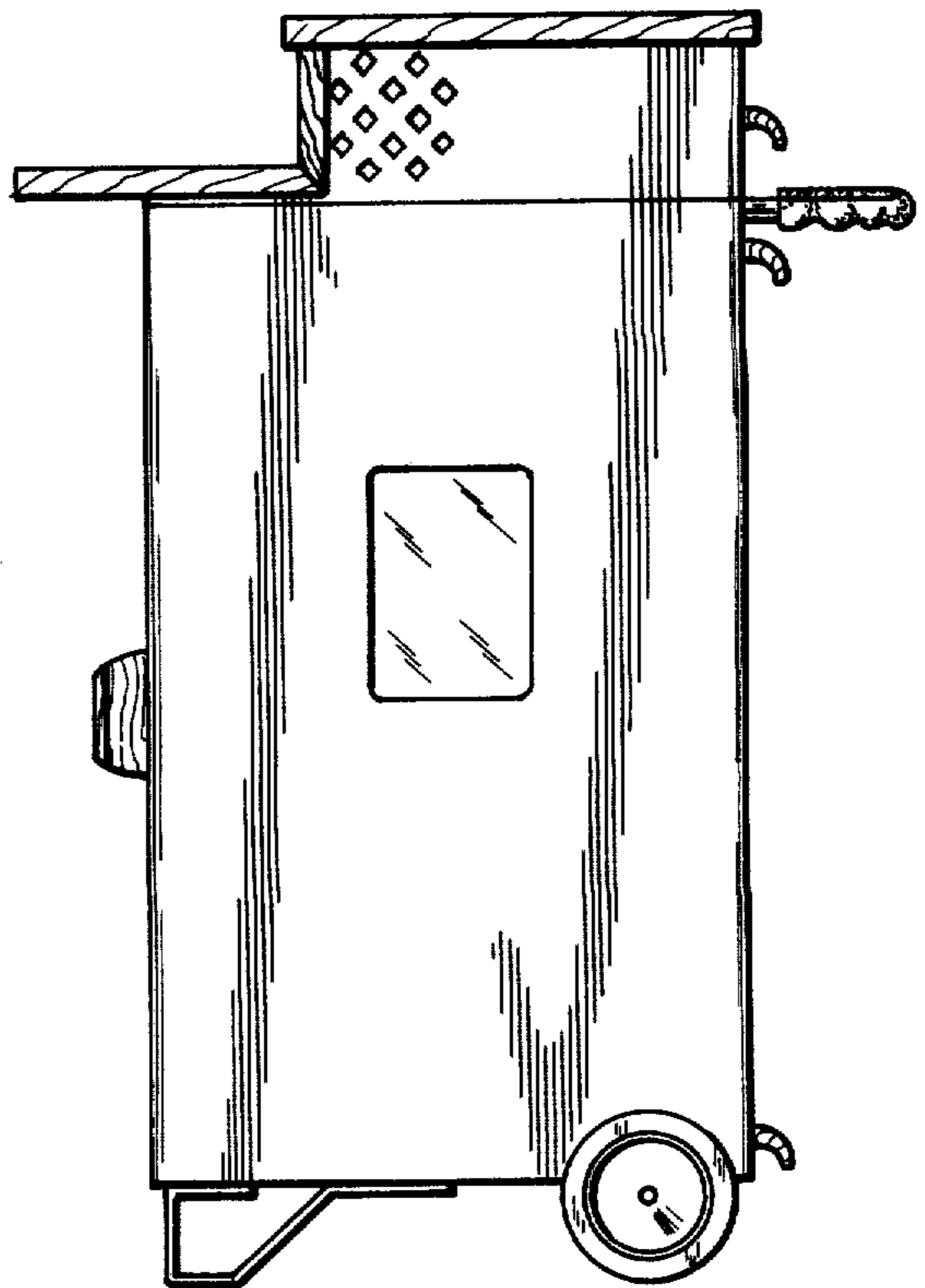


Fig. 2

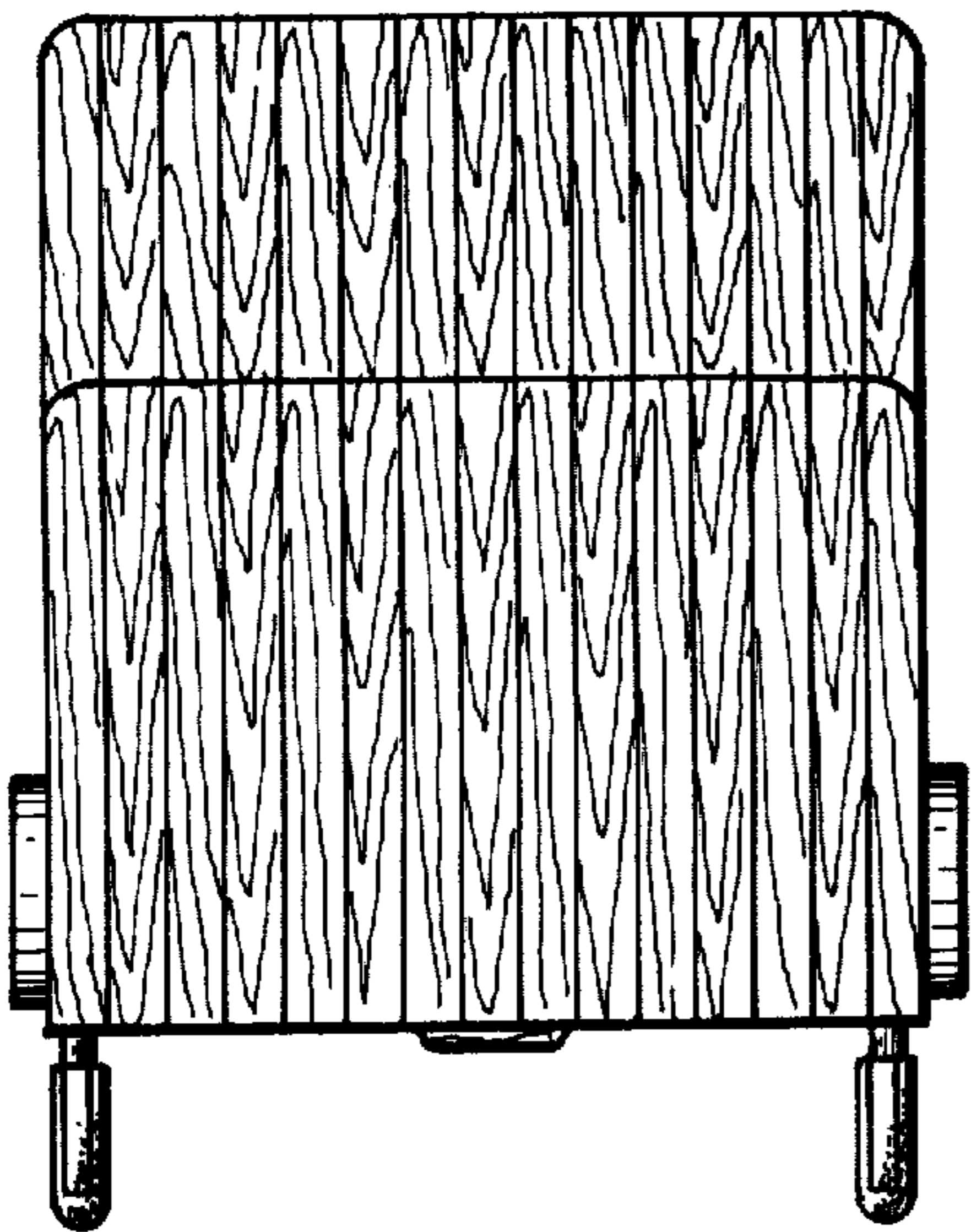


Fig. 3

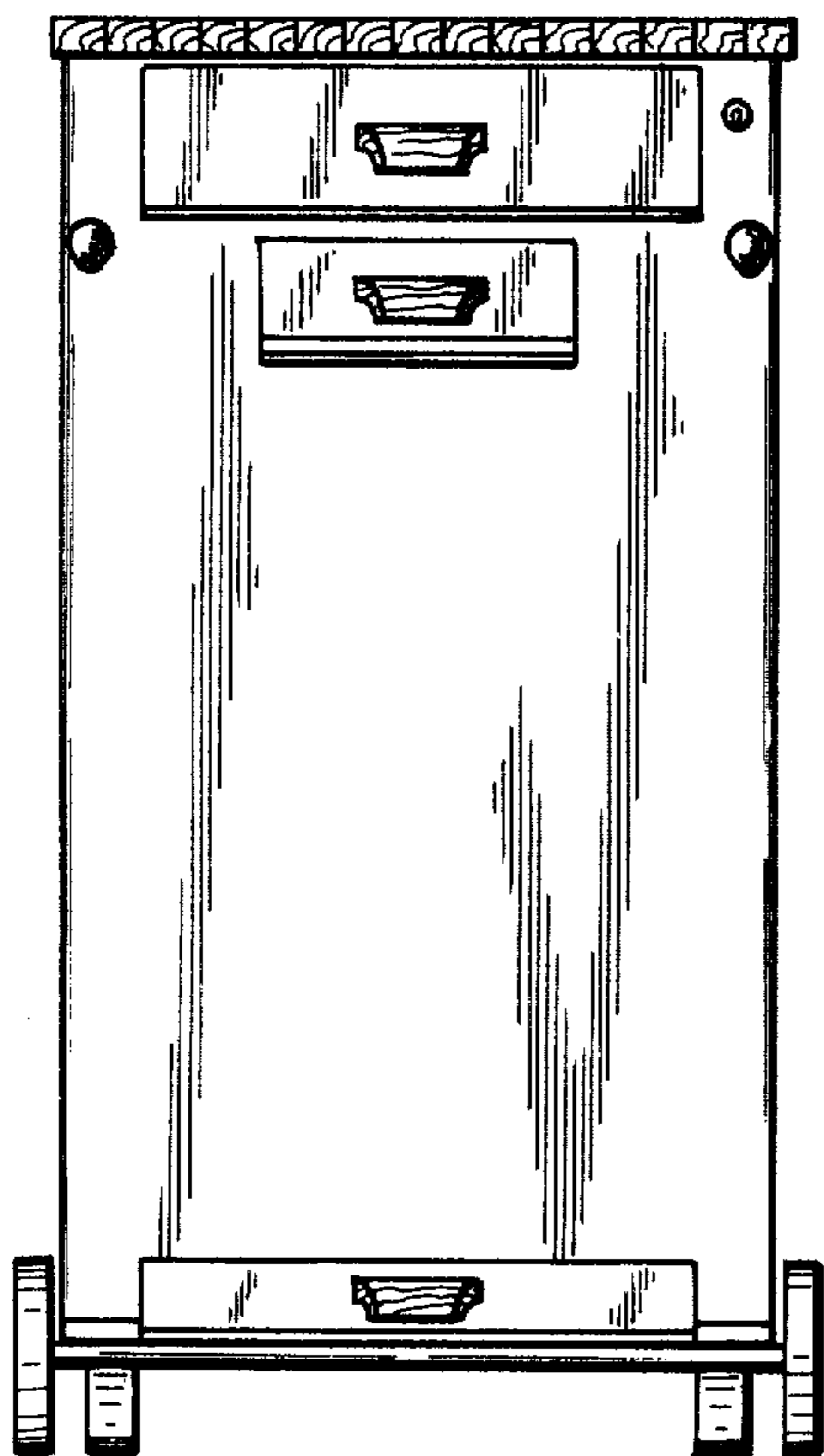


Fig. 4

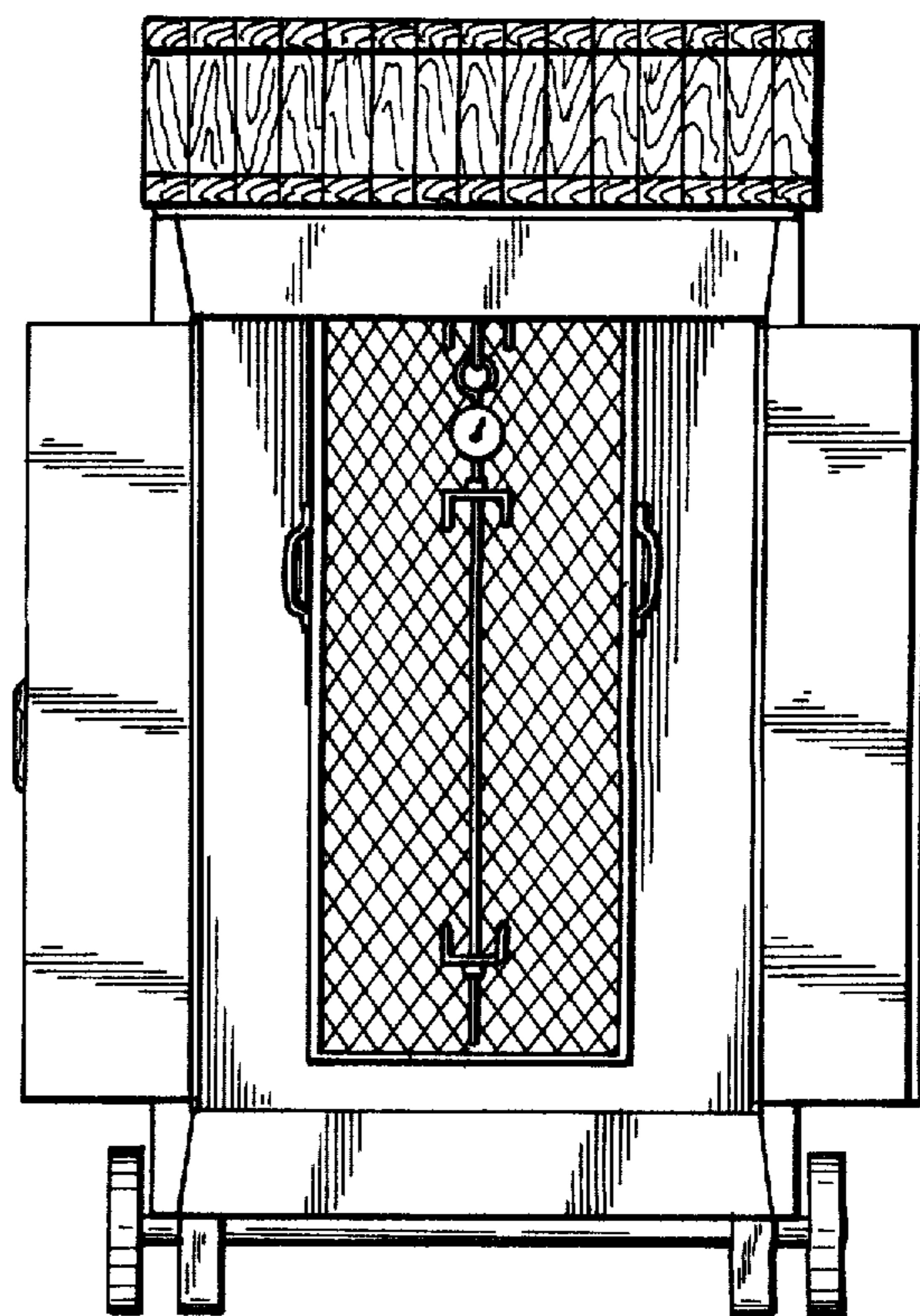


Fig. 6

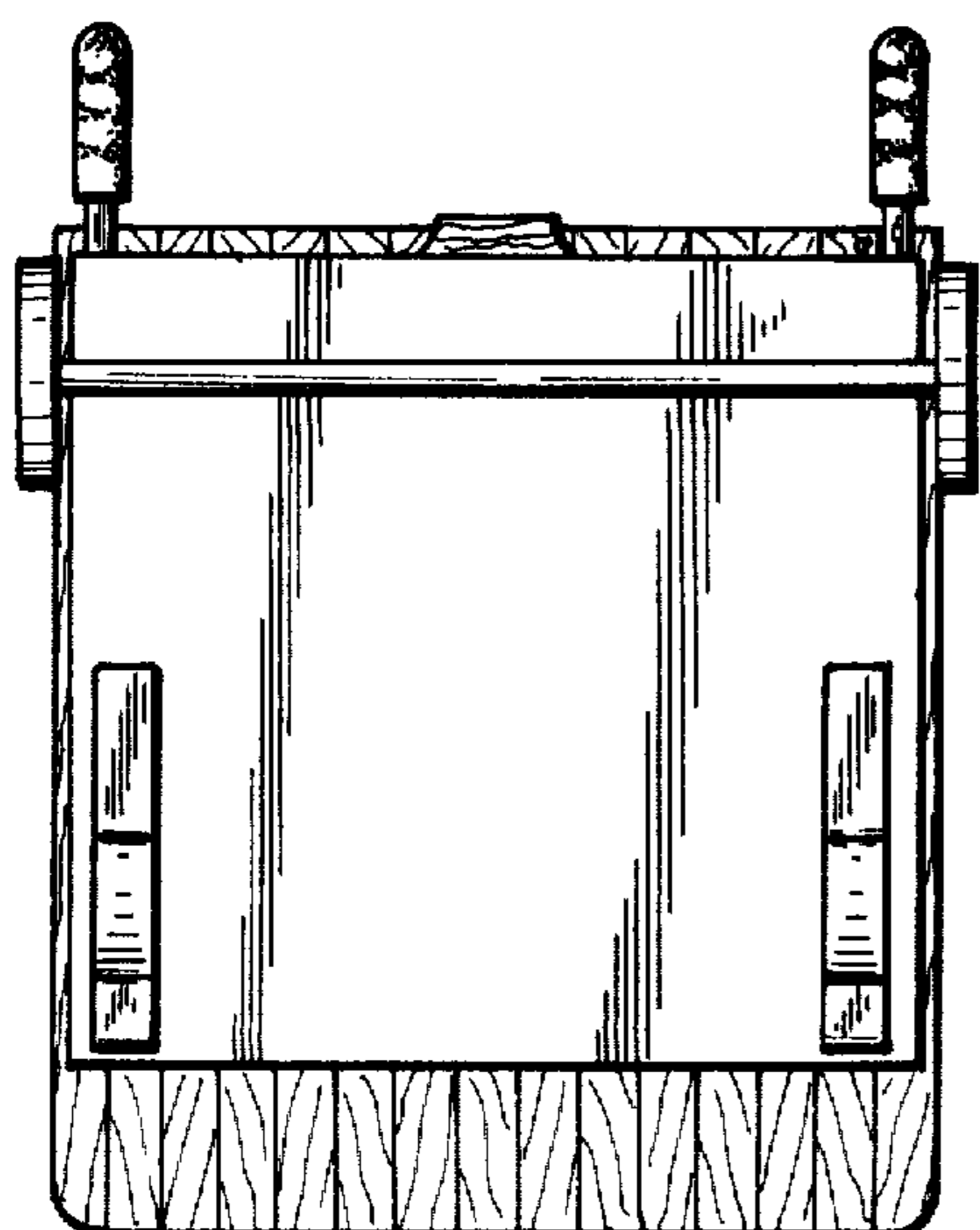


Fig. 5