

[54] **SCOOP OR THE LIKE**
 [75] Inventor: **Robert F. Bateman**, Greenville, R.I.
 [73] Assignee: **Dart Industries Inc.**, Los Angeles, Calif.
 [**] Term: **14 Years**
 [21] Appl. No.: **142,289**
 [22] Filed: **Apr. 21, 1980**

[51] Int. Cl. **D07-99**
 [52] U.S. Cl. **D7/104**
 [58] Field of Search 294/55; D7/41, 104, D7/99, 50, 186; 15/257.1, 257.9

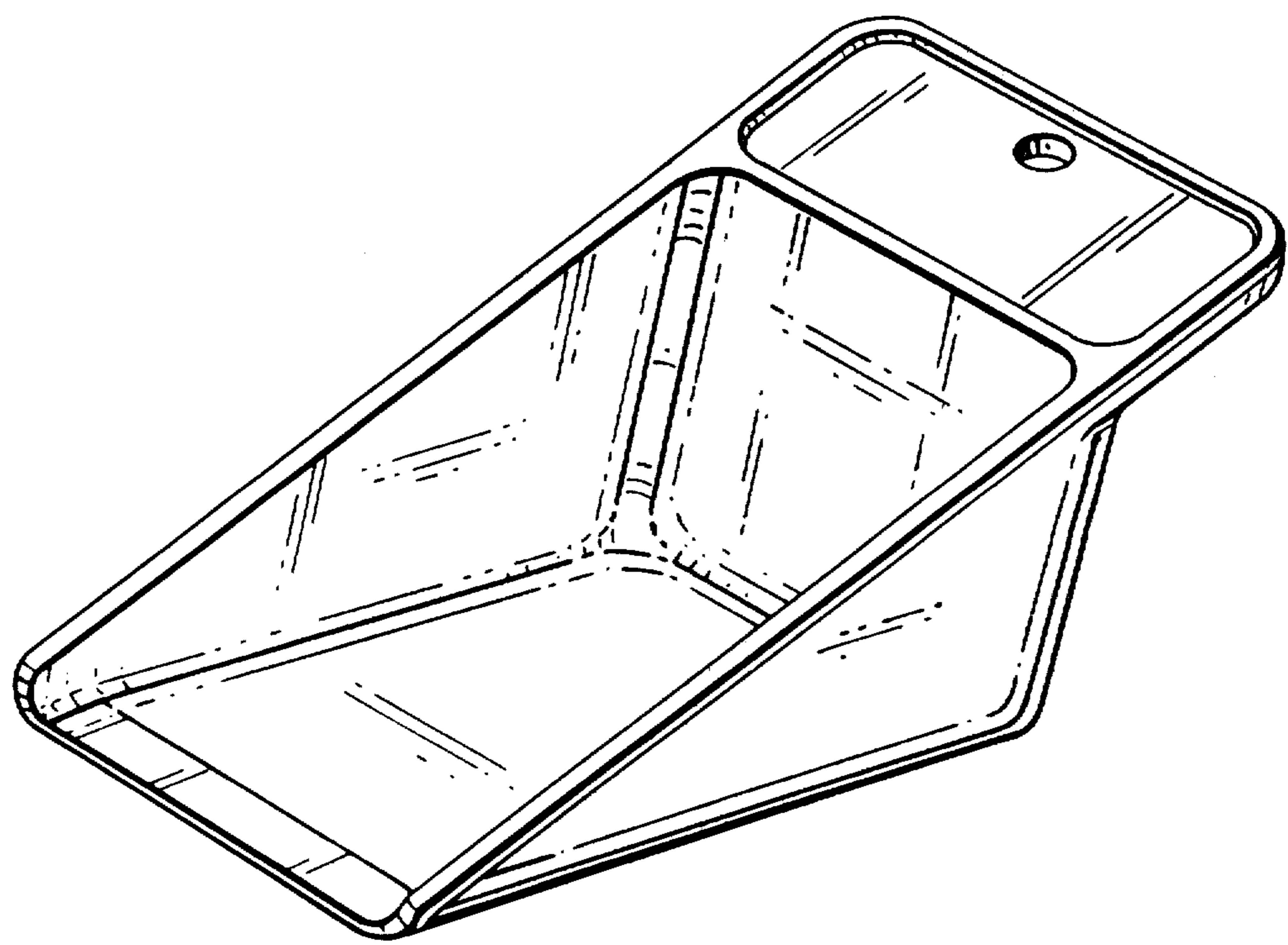
[56] **References Cited**
U.S. PATENT DOCUMENTS
 D. 54,891 4/1920 Brule' D7/186
 D. 190,383 5/1961 Hanson D7/50

1,302,365 4/1919 Hays 294/55
 1,642,985 9/1927 Beebe 294/55 X
 2,651,925 9/1953 Lawrence 15/257.1
 2,987,749 6/1961 Gortner D7/186 X
 3,001,404 9/1961 McDonnell, Jr. et al. D7/50 X

Primary Examiner—Winifred E. Herrmann
Attorney, Agent, or Firm—Leigh B. Taylor

[57] **CLAIM**
 The ornamental design for a scoop or the like, substantially as shown.

DESCRIPTION
 FIG. 1 is a top perspective view of a scoop or the like showing my new design;
 FIG. 2 is a side elevational view thereof;
 FIG. 3 is a front elevational view thereof;
 FIG. 4 is a top plan view thereof;
 FIG. 5 is a rear elevational view thereof; and
 FIG. 6 is a bottom plan view thereof.



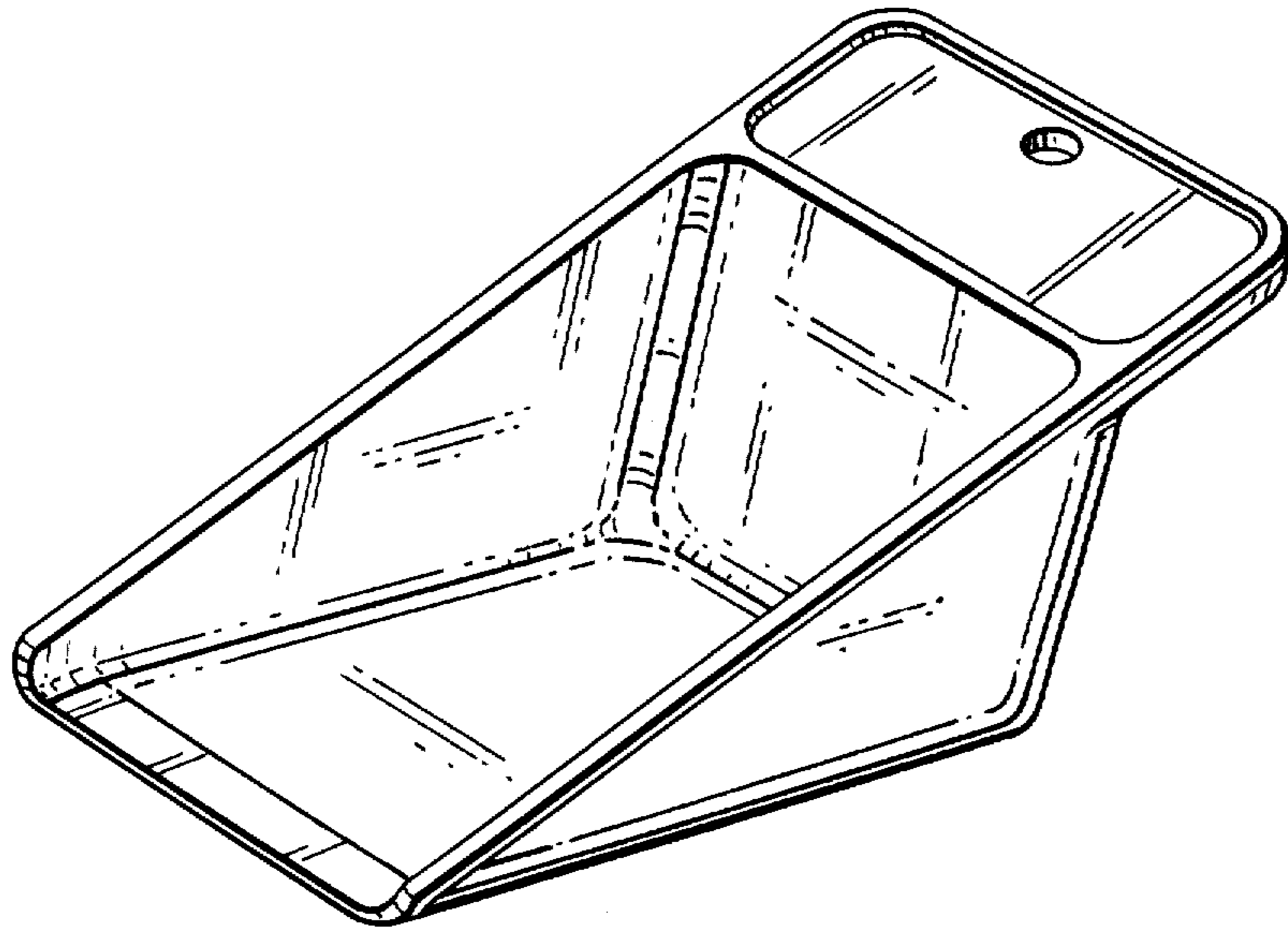


FIG. 1

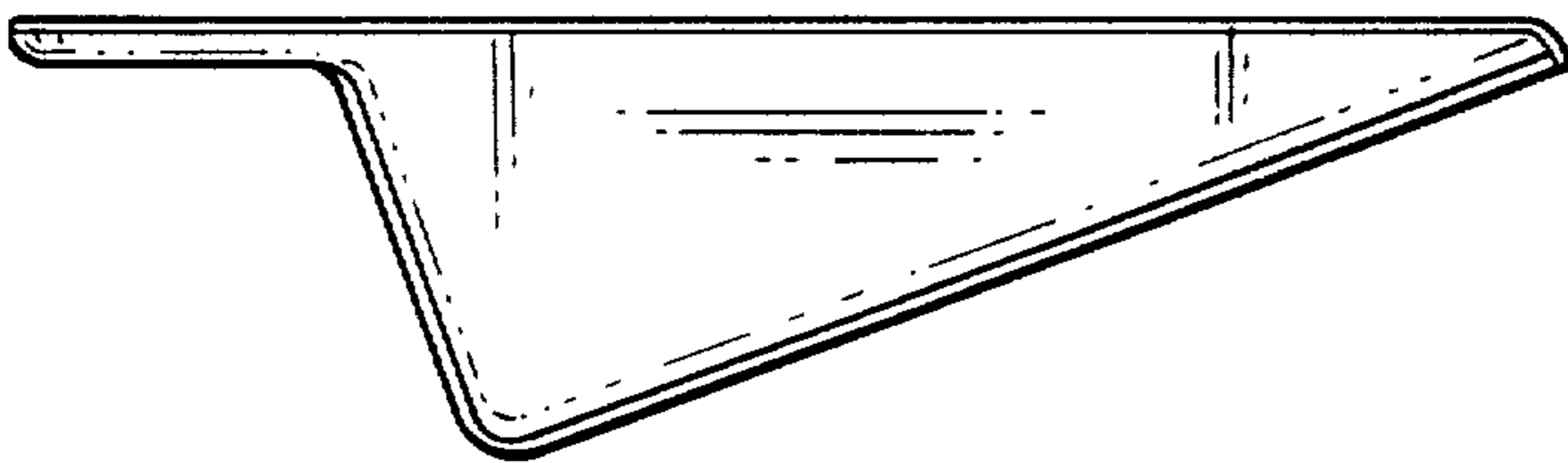


FIG. 2

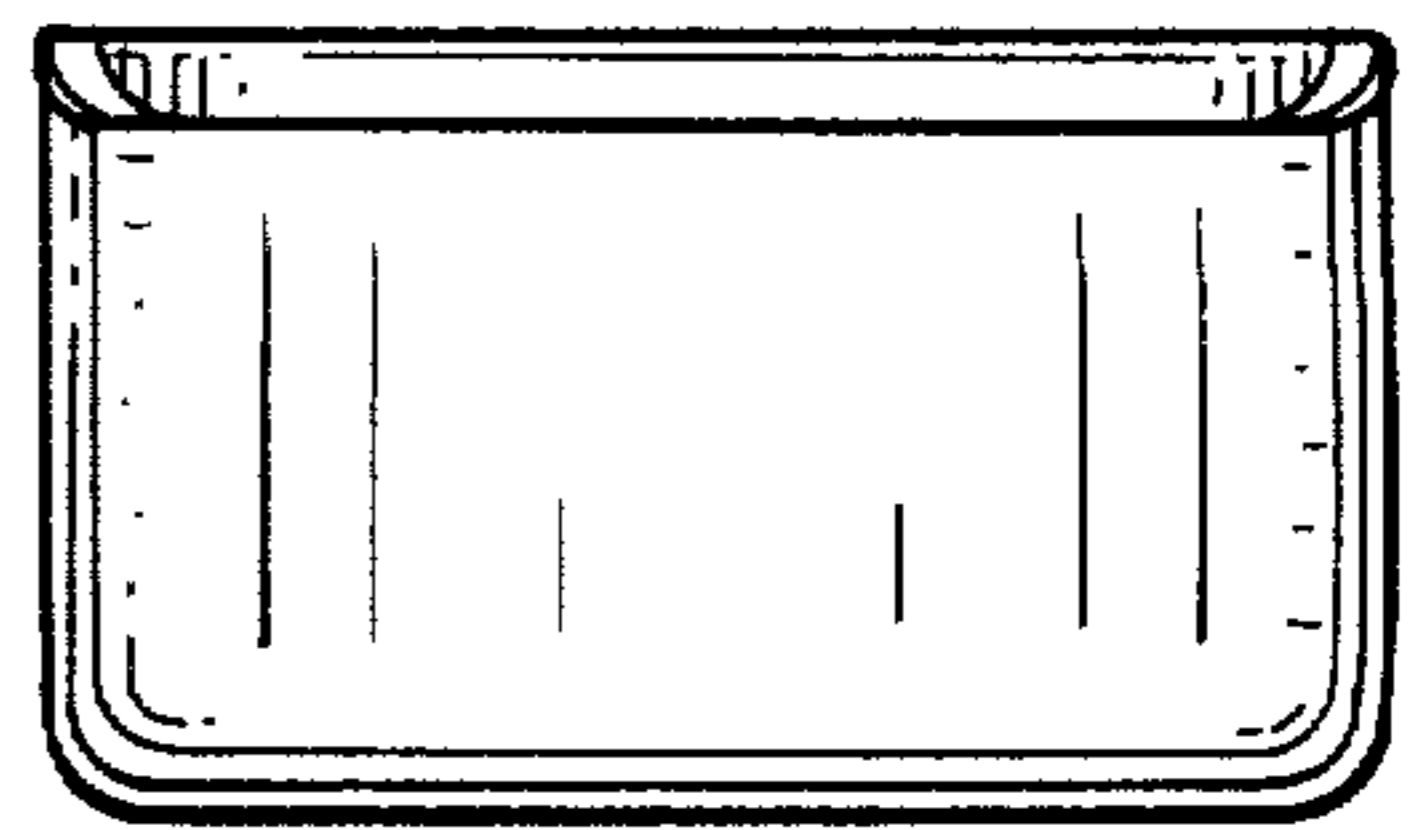


FIG. 3

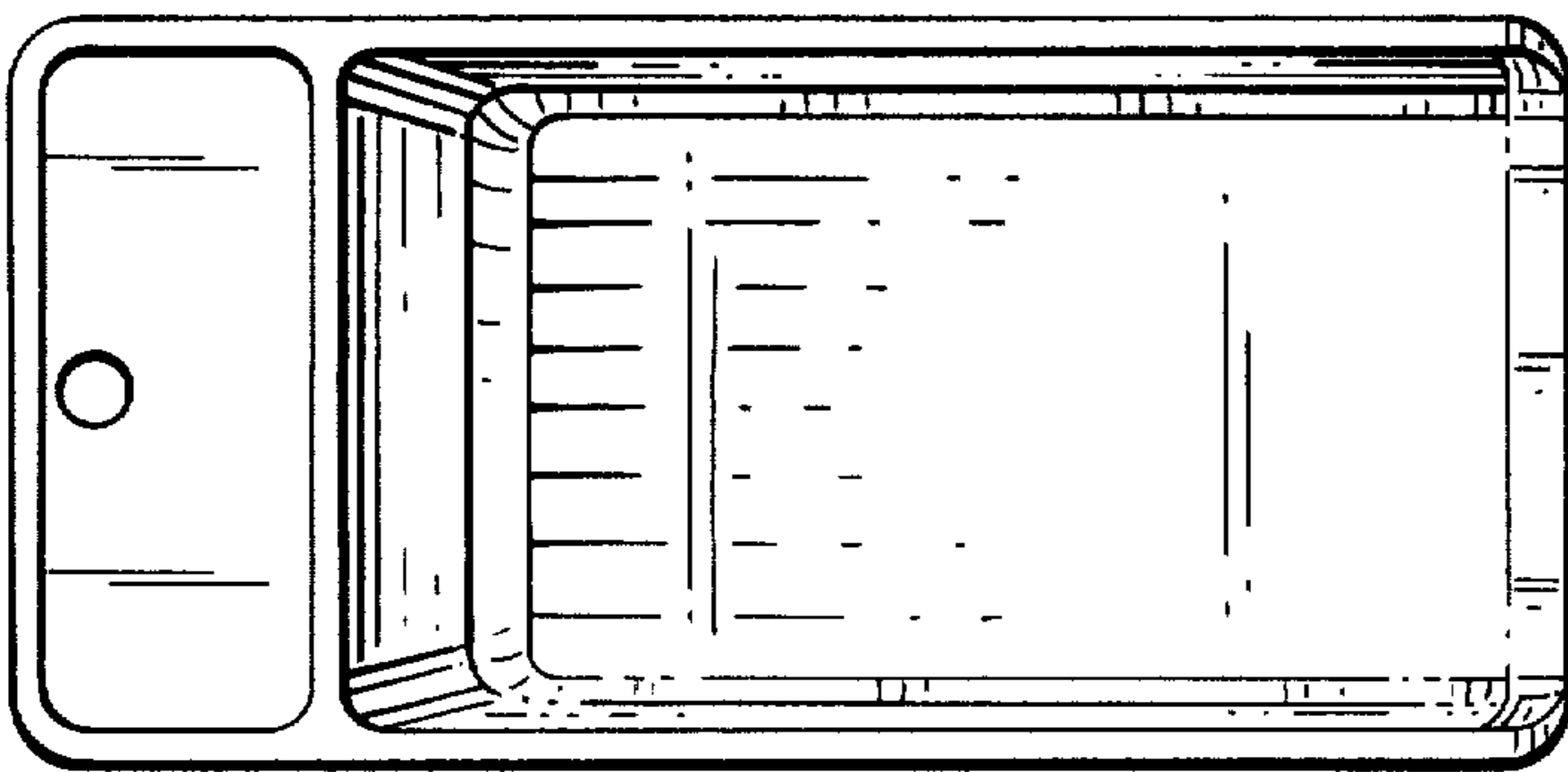


FIG. 4

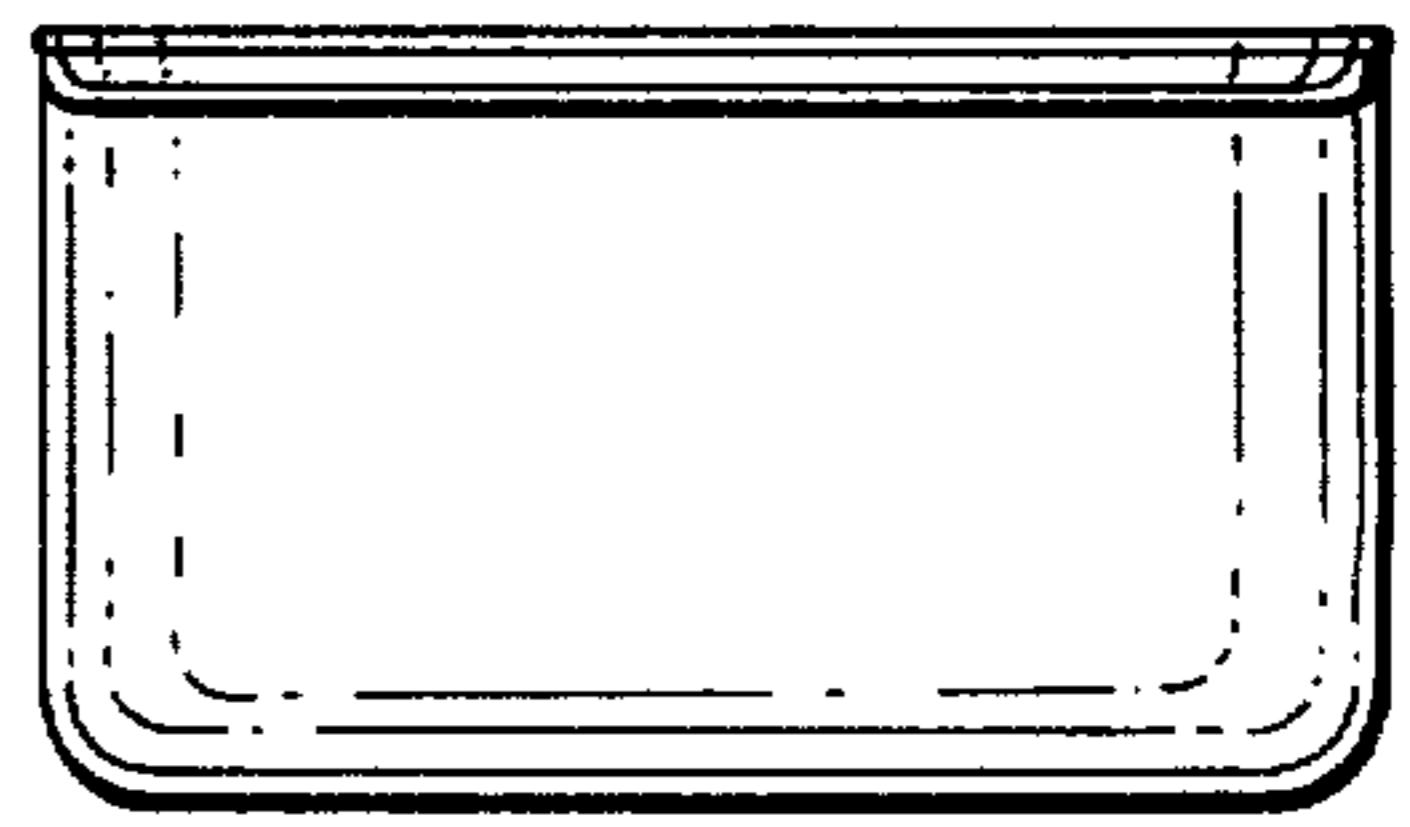


FIG. 5

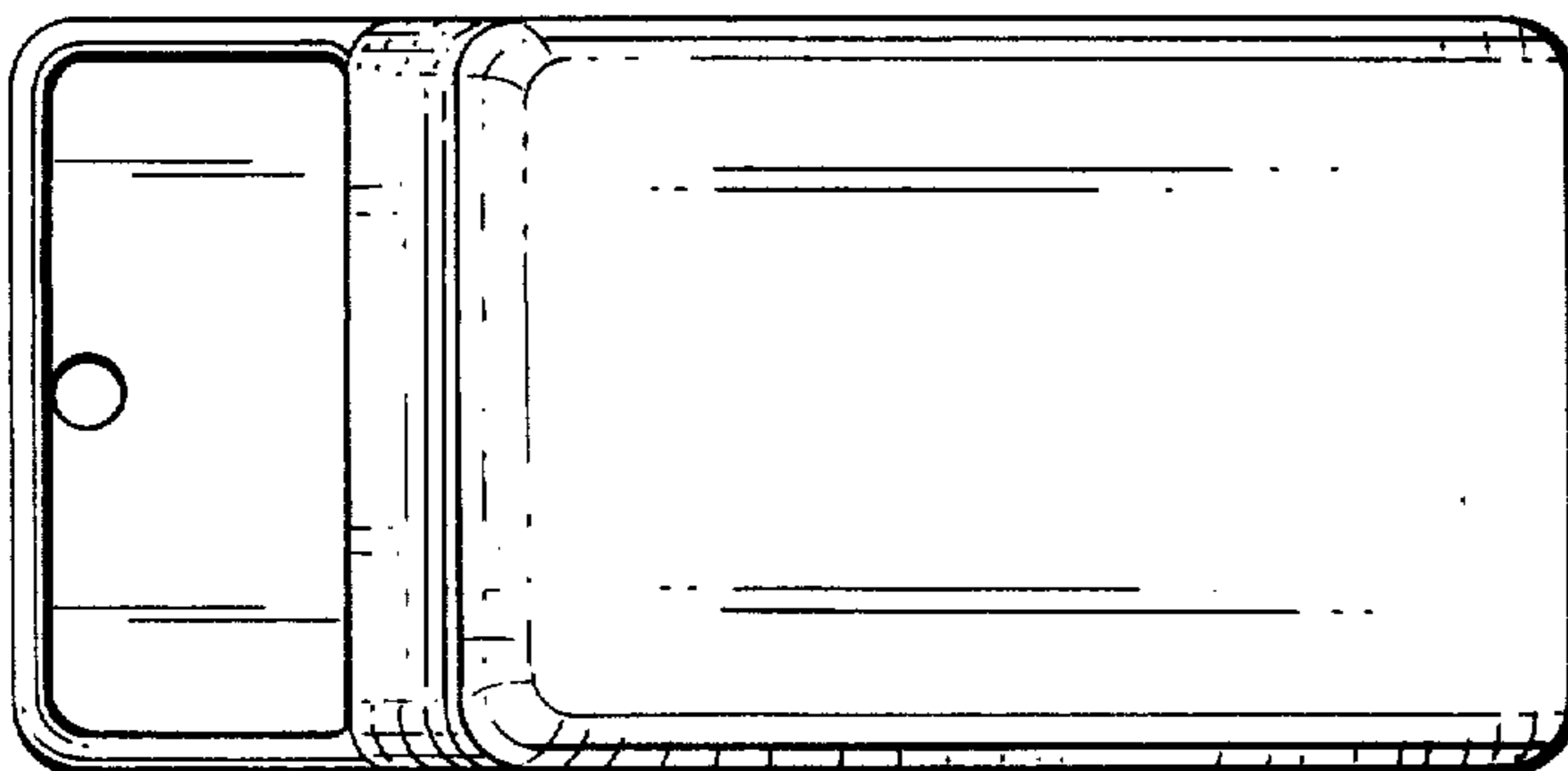


FIG. 6