

[54] KETTLE

[75] Inventor: Toshio Otake, Yoshida, Japan

[73] Assignee: Yoshikawa Metal Ware Kabushiki Kaisha, Japan

[**] Term: 14 Years

[21] Appl. No.: 119,801

[22] Filed: Feb. 8, 1980

[30] Foreign Application Priority Data

Aug. 23, 1979 [JP] Japan 54-035504

[51] Int. Cl. D07-02

[52] U.S. Cl. D7/60; D7/66

[58] Field of Search D7/59, 60, 62, 63, 64, D7/65, 66, 67

[56] References Cited

U.S. PATENT DOCUMENTS

- D. 99,425 4/1936 Zettler D7/60
- D. 103,957 4/1937 Salisbury et al. D7/66
- D. 109,642 5/1938 Morgan D7/60

OTHER PUBLICATIONS

Gifts & Decorative Accessories, Mar. 1977, p. 123, Tea Kettle in top left of Herman Dodge & Son Adv.

Industrial Design, Mar. 1971, p. 43 #14 Panel at right, Opa Kettle at right.

Design 310, Oct. 1974, p. 25, Robert Welch Steel Kettle at top right.

Best Products 79 Buyers Book, #122-C, p. 281, Item 39-2Qt. Kettle, 2nd from bottom right.

Primary Examiner—Winifred E. Herrmann

Attorney, Agent, or Firm—Robert E. Burns; Emmanuel J. Lobato; Bruce L. Adams

[57] CLAIM

The ornamental design for a kettle, substantially as shown and described.

DESCRIPTION

FIG. 1 is a top plan view of a kettle showing my new design;

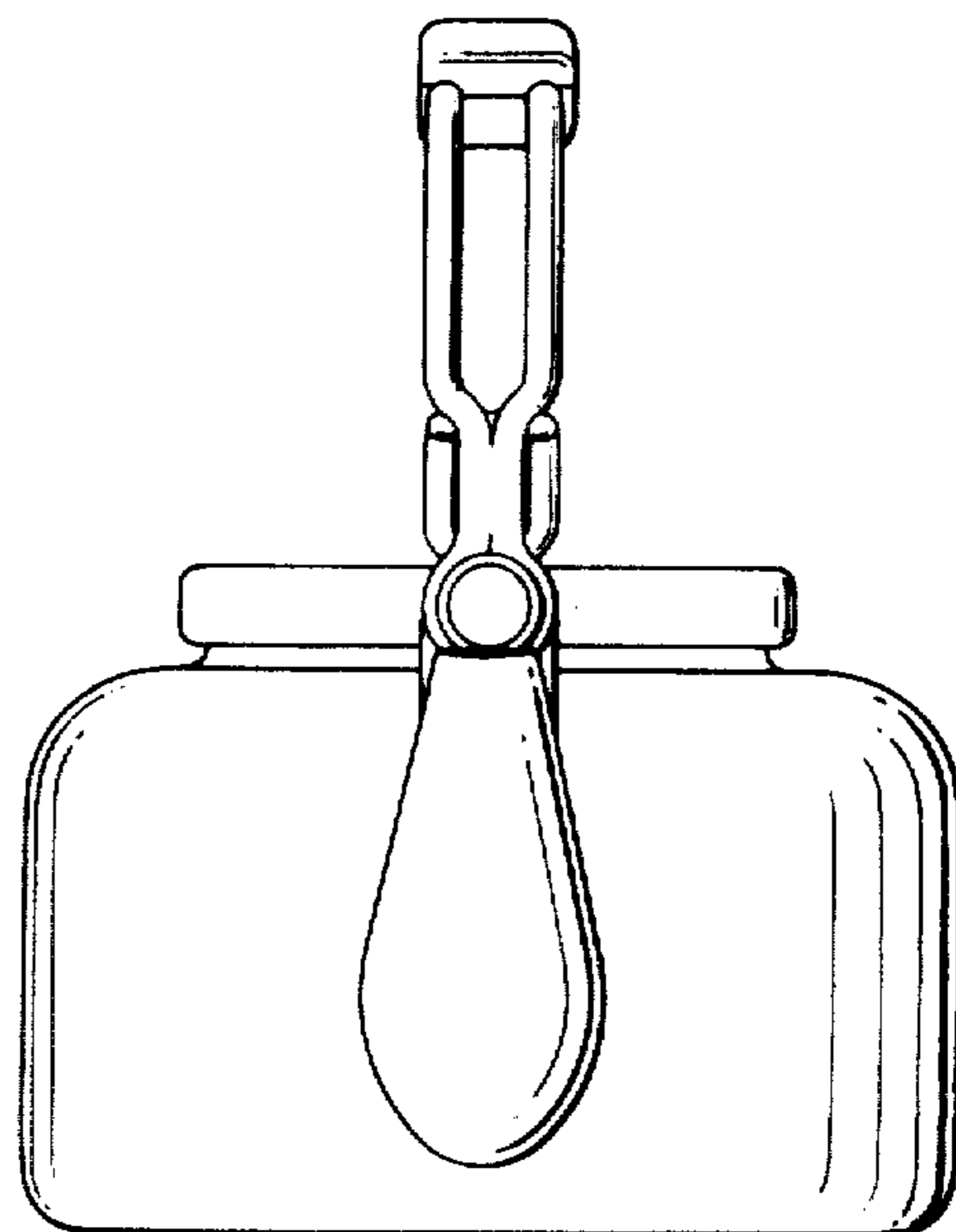
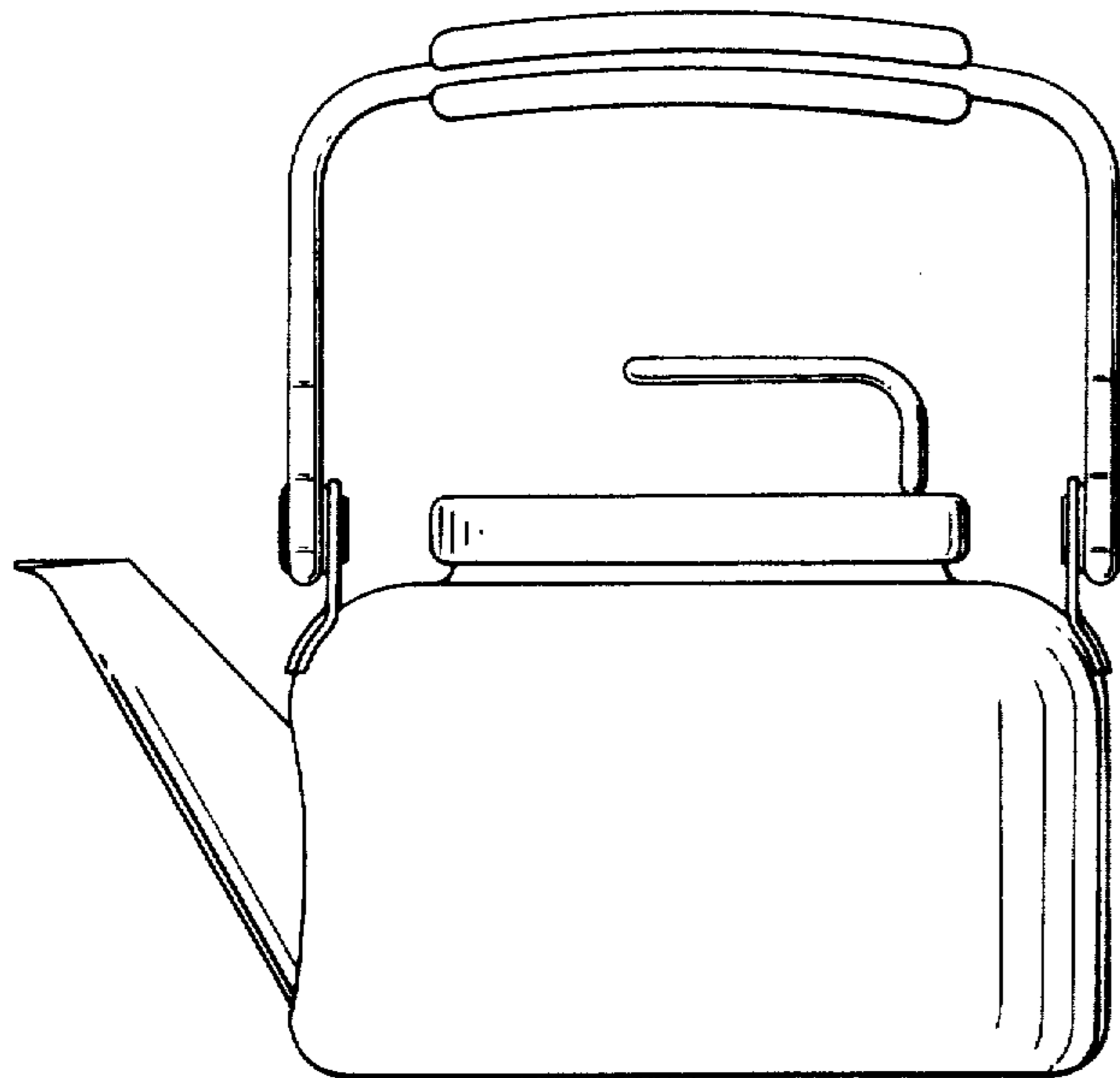
FIG. 2 is a bottom plan view thereof;

FIG. 3 is a front elevational view thereof;

FIG. 4 is a rear elevational view thereof;

FIG. 5 is a right side elevational view thereof, the side opposite that shown in FIG. 5 being similar in appearance and embodying the same design features as the side shown; and

FIG. 6 is a sectional view along 6-6 line in FIG. 1.



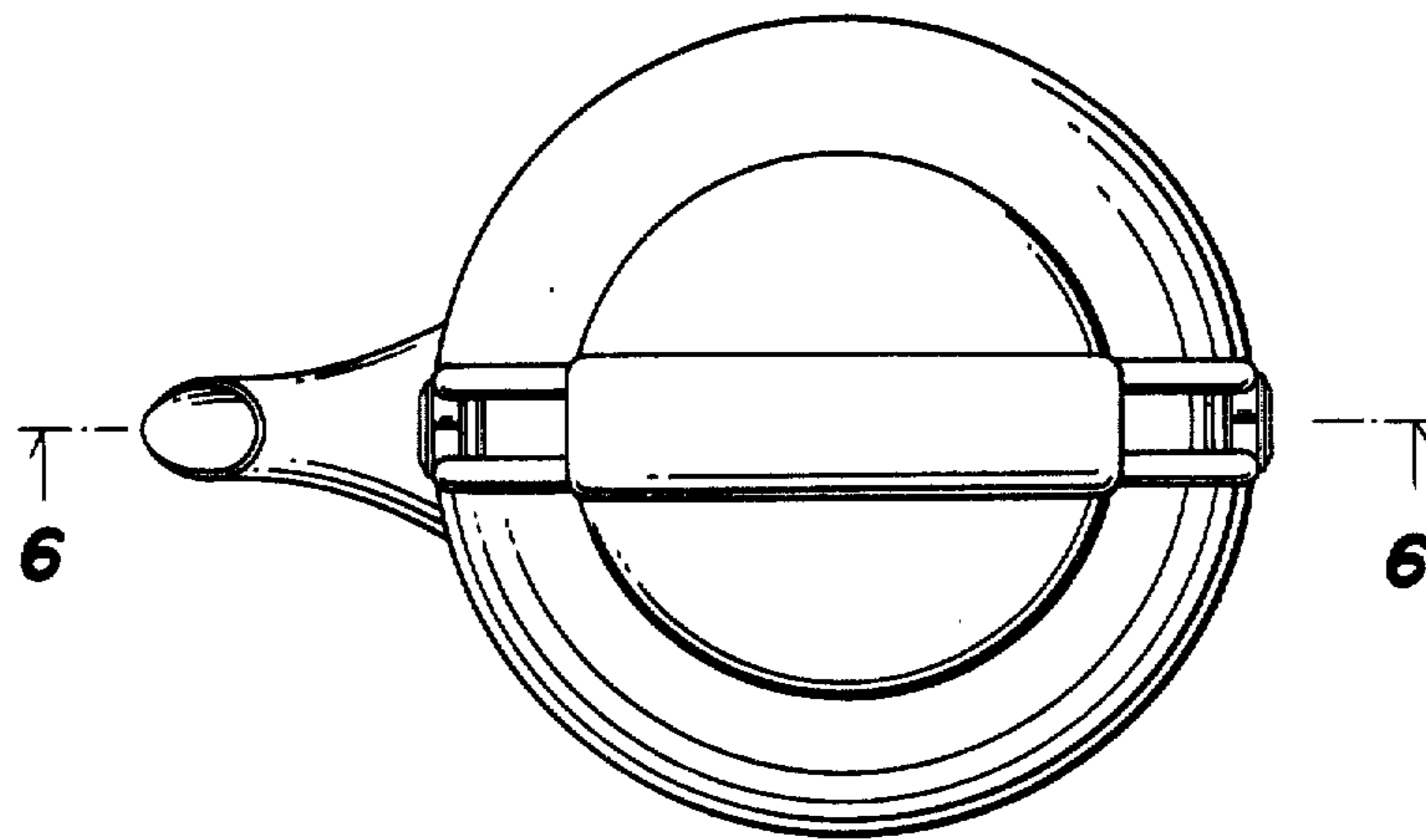


FIG. 1

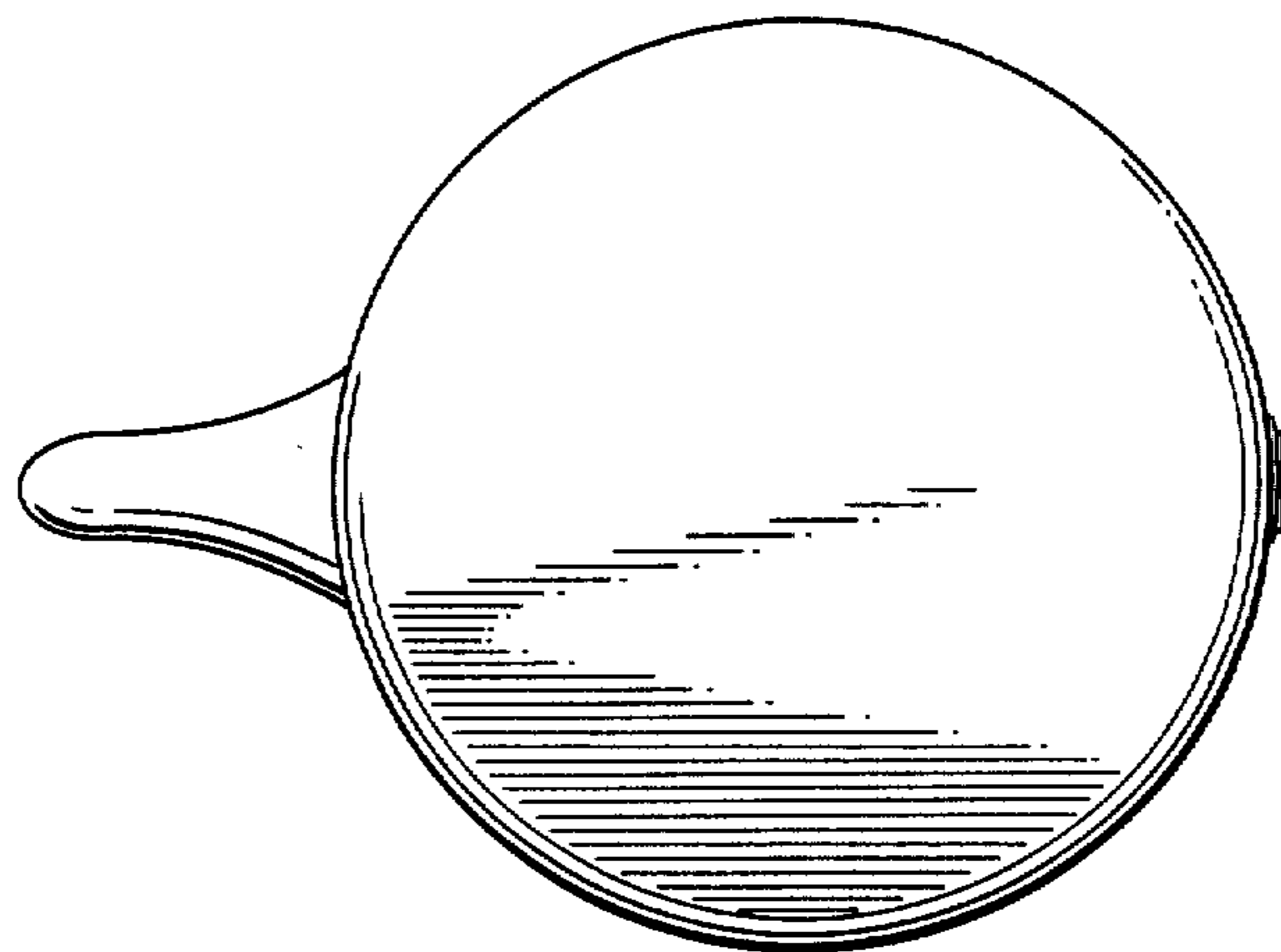


FIG. 2

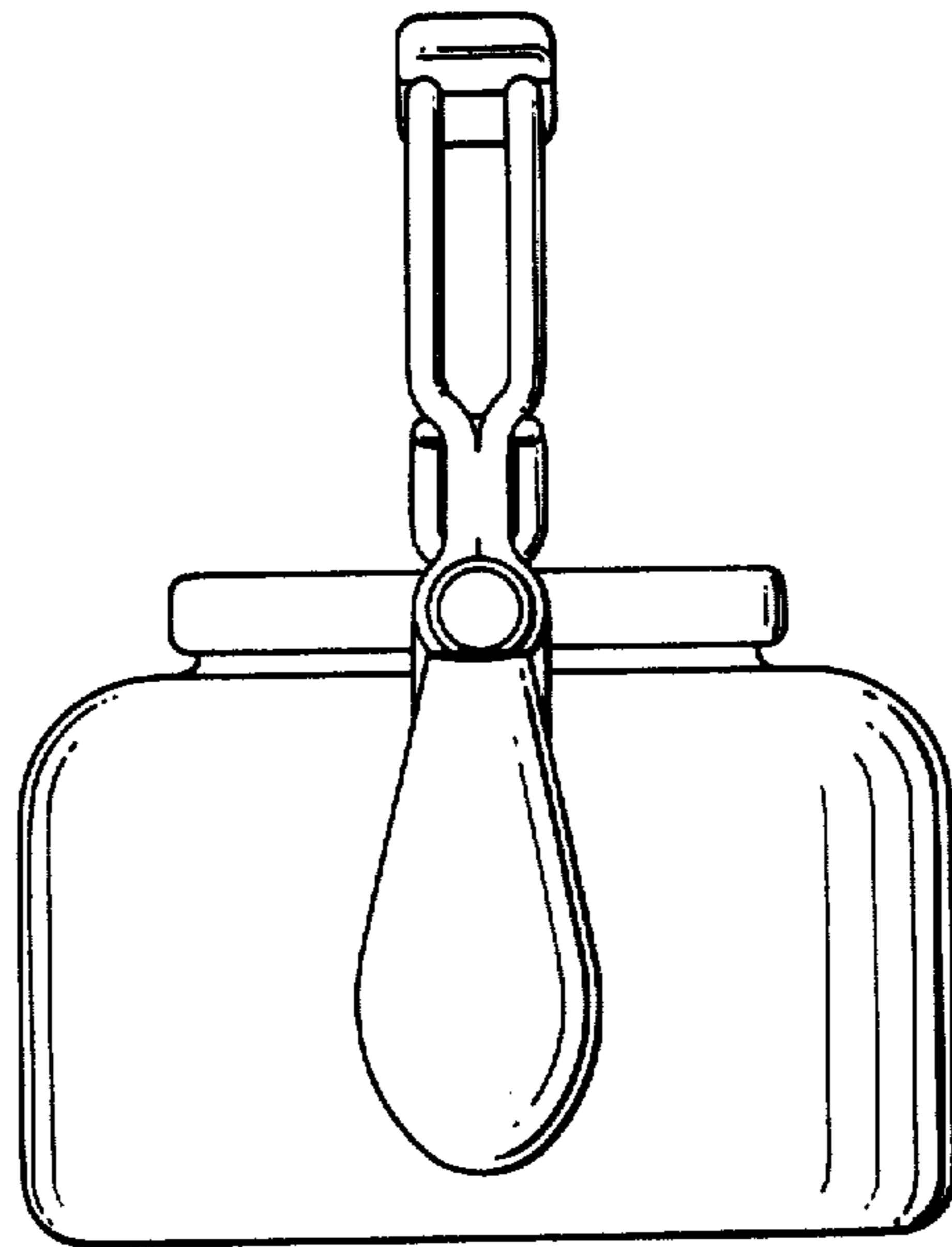


FIG. 3

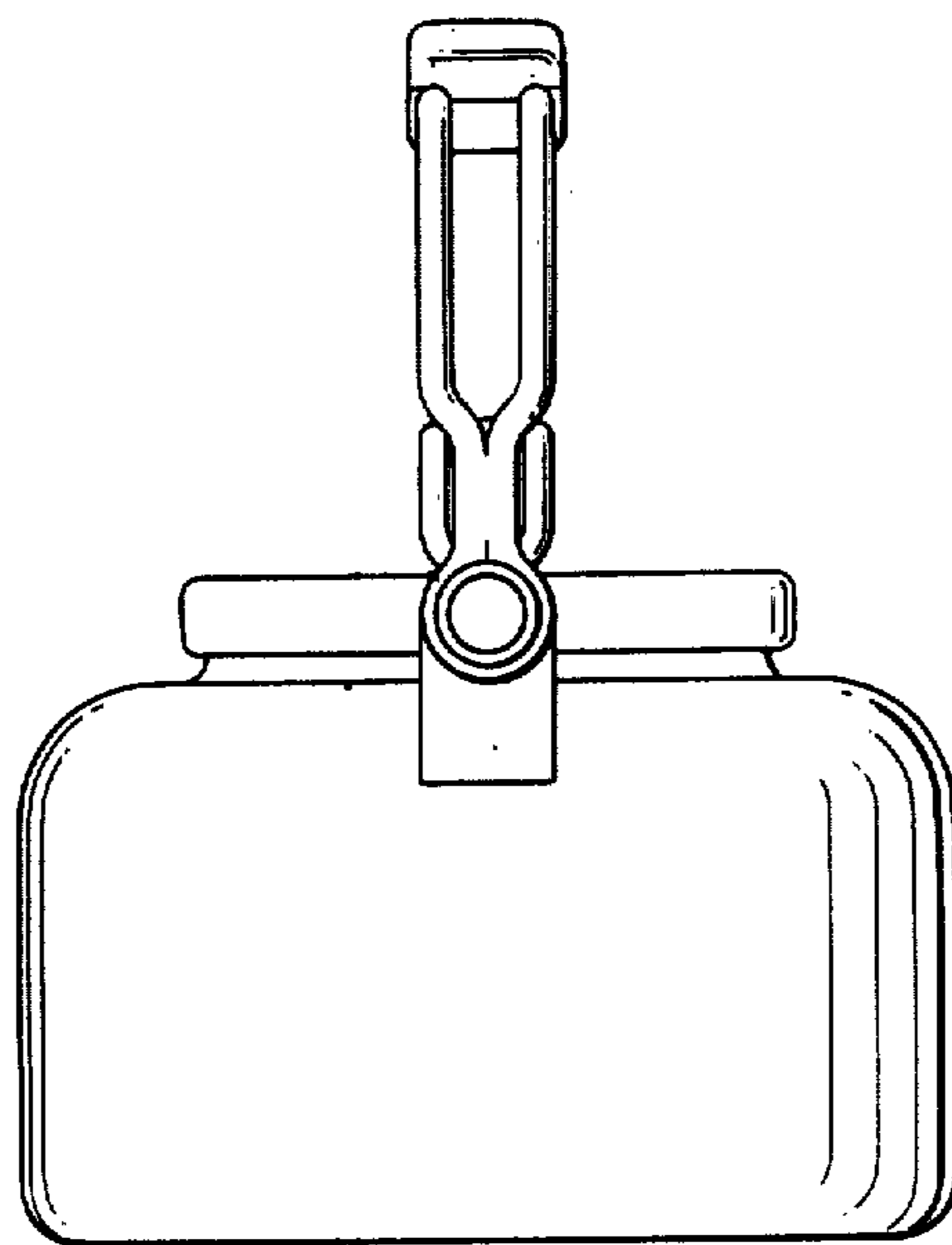


FIG. 4

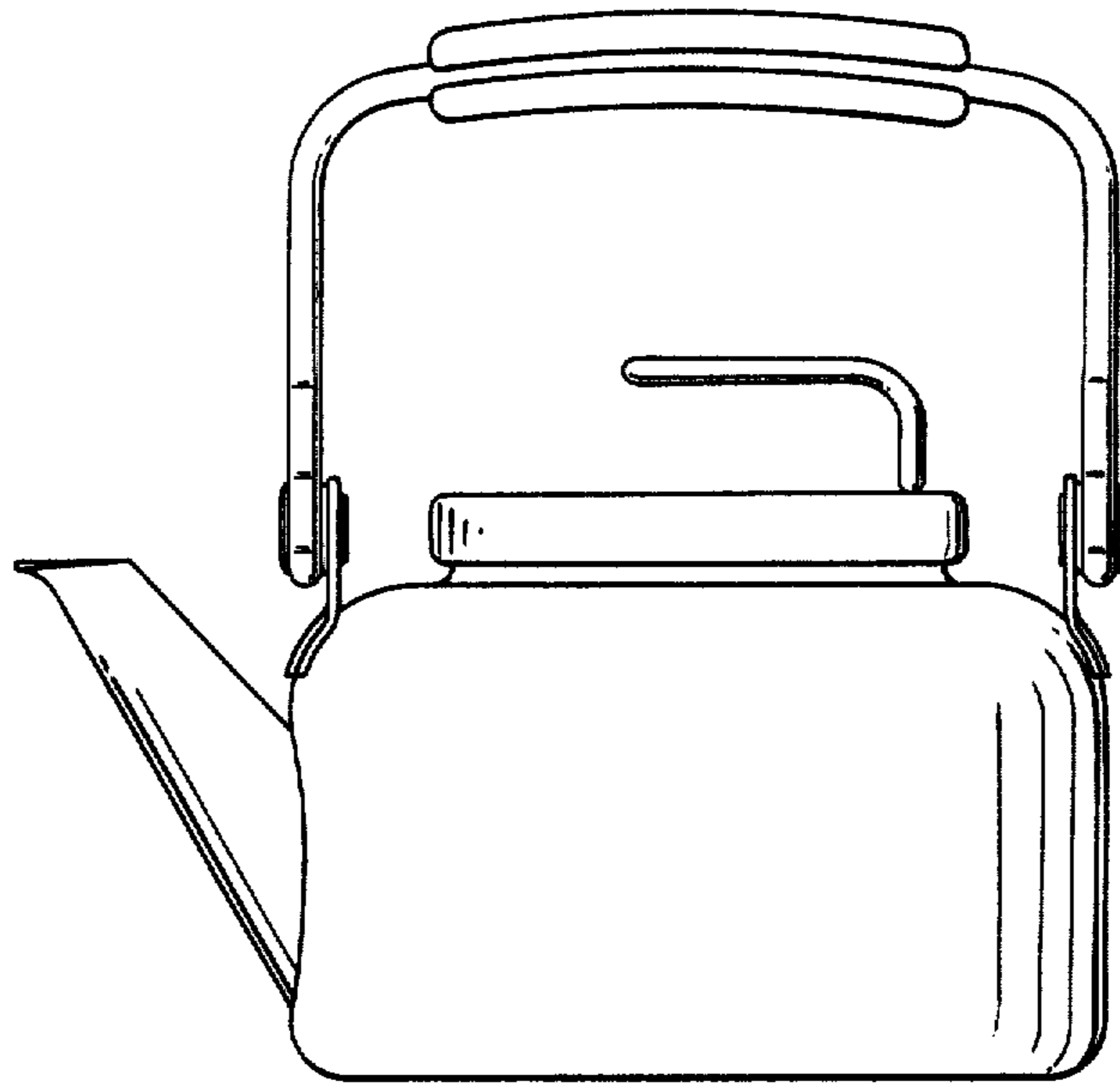


FIG. 5

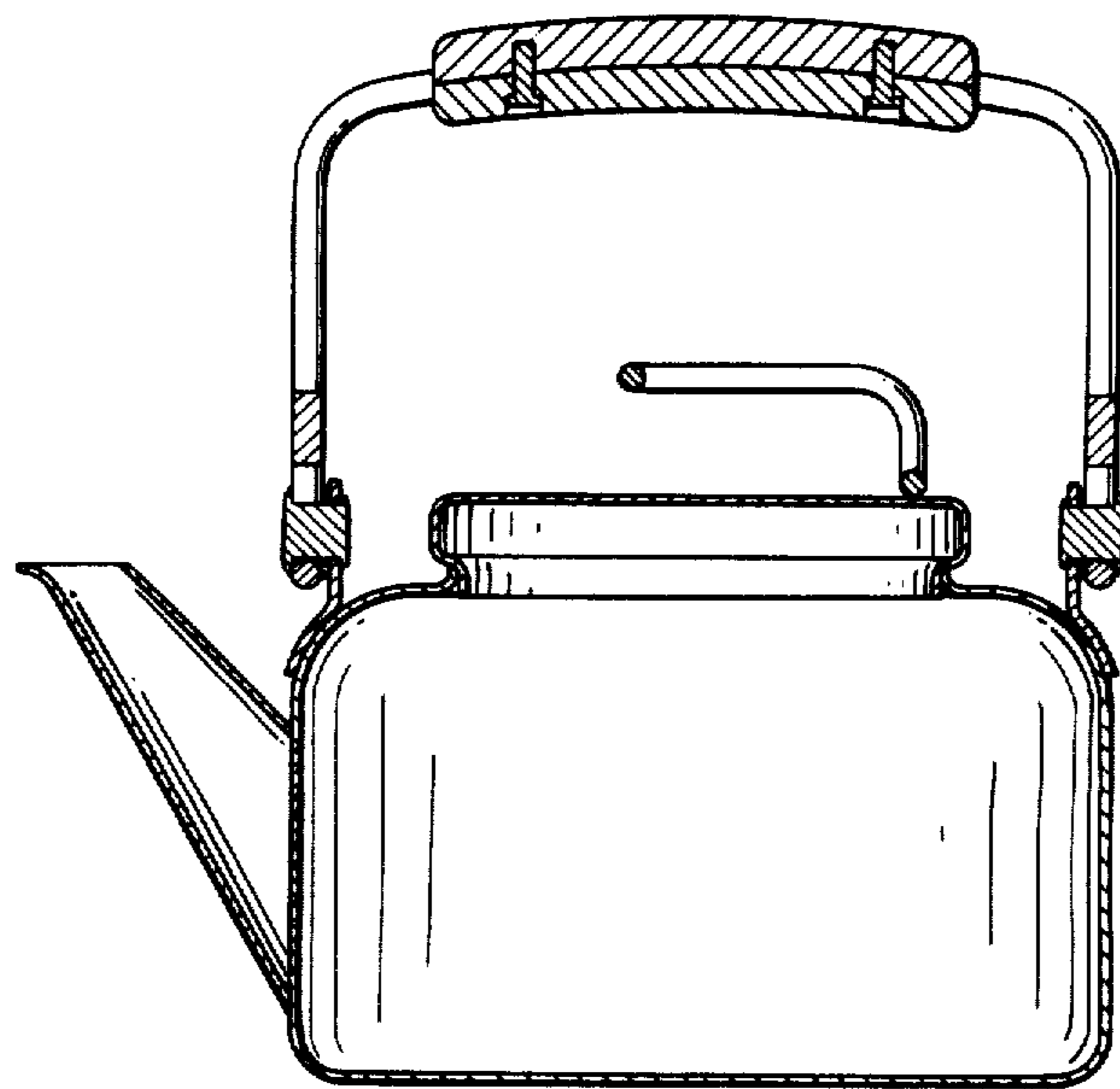


FIG. 6