

[54] **SHELF SUPPORT**

[75] Inventor: **Walter Gusdorf, Creve Coeur, Mo.**

[73] Assignee: **Gusdorf Corporation, St. Louis, Mo.**

[**] Term: **14 Years**

[21] Appl. No.: **29,455**

[22] Filed: **Apr. 12, 1979**

[51] Int. Cl. **D6—06**

[52] U.S. Cl. **D6/191**

[58] Field of Search **D6/191; 248/243, 239**

[56] **References Cited**

U.S. PATENT DOCUMENTS

2,909,352 10/1959 Van Buren, Jr. 248/239
3,235,219 2/1966 Green 248/239
3,759,191 9/1973 Freeman 248/239 X

FOREIGN PATENT DOCUMENTS

371845 of 1923 Fed. Rep. of Germany 248/239

Primary Examiner—Bruce W. Dunkins

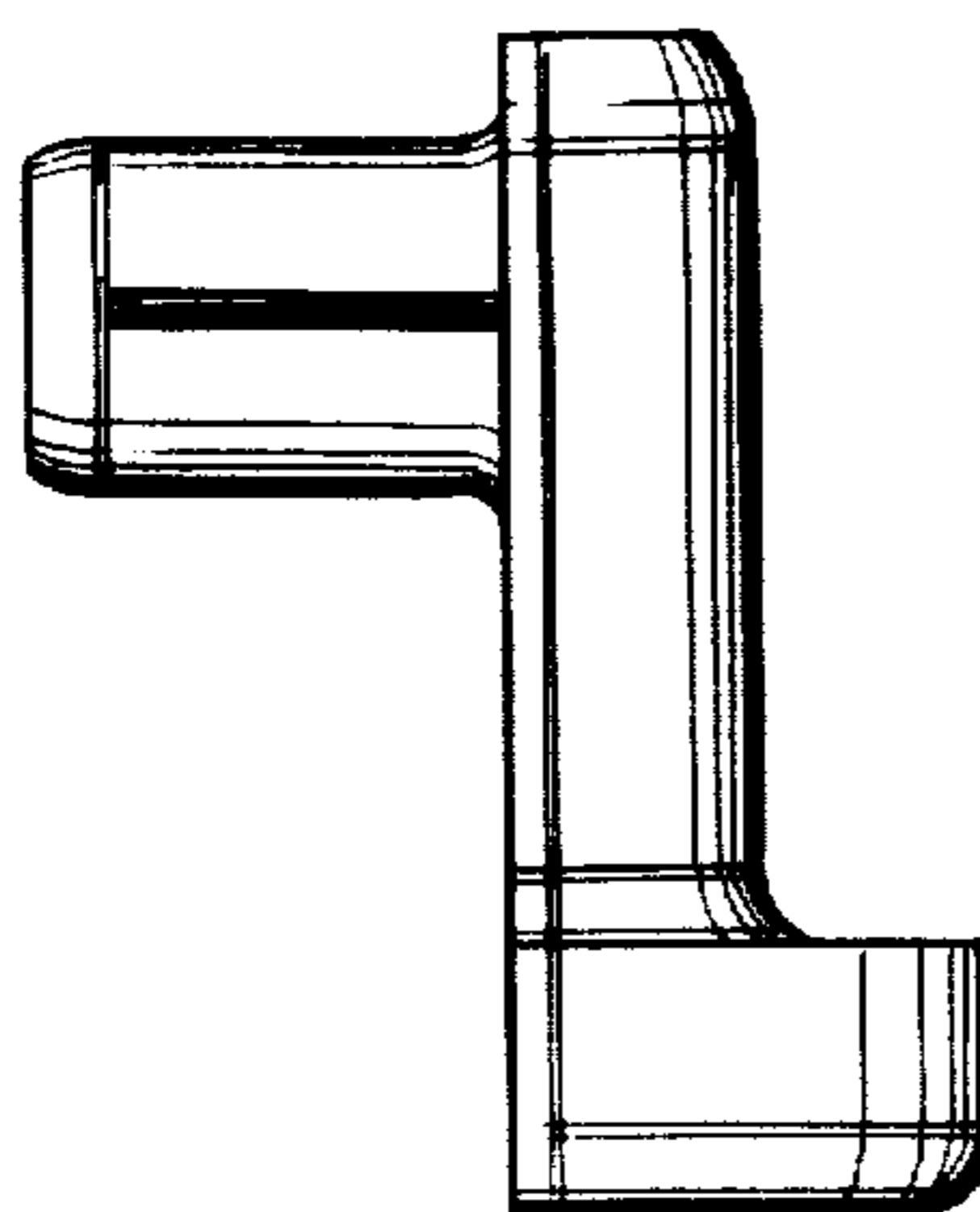
Attorney, Agent, or Firm—Gravelly, Lieder & Woodruff

[57] **CLAIM**

The ornamental design for a shelf support, substantially as shown and described.

DESCRIPTION

FIG. 1 is a top plan view of a shelf support showing my new design;
FIG. 2 is a left side elevational view of the FIG. 1 shelf support;
FIG. 3 is a front elevational view of the FIG. 1 shelf support;
FIG. 4 is a top plan view of a modified form of my new design of FIG. 1;
FIG. 5 is a left side elevational view of the FIG. 4 shelf support;
FIG. 6 is a front elevational view of the FIG. 4 shelf support;
FIG. 7 is a top plan view of a modified form of my new design of FIG. 1;
FIG. 8 is a left side elevational view of the FIG. 7 shelf support;
FIG. 9 is a front elevational view of the FIG. 7 shelf support;
FIG. 10 is a top plan view of a modified form of my new design of FIG. 1;
FIG. 11 is a left side elevational view of the FIG. 10 shelf support; and
FIG. 12 is a front elevational view of the FIG. 10 shelf support.



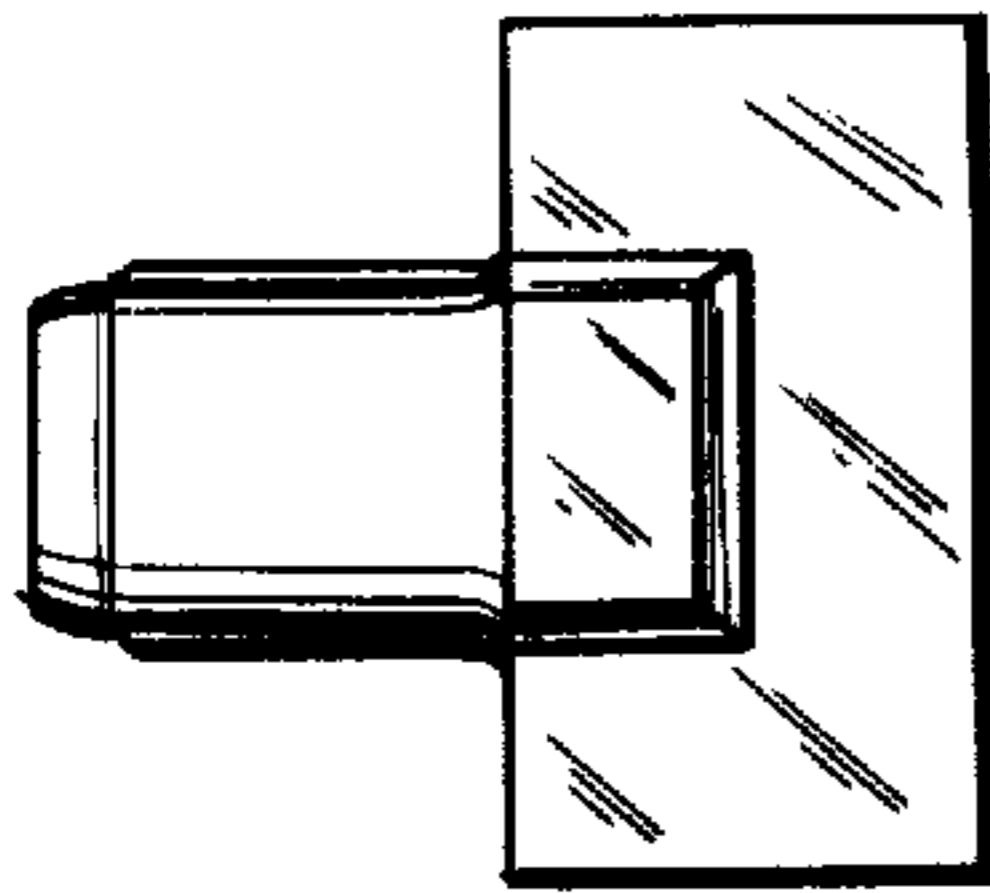


FIG. 1

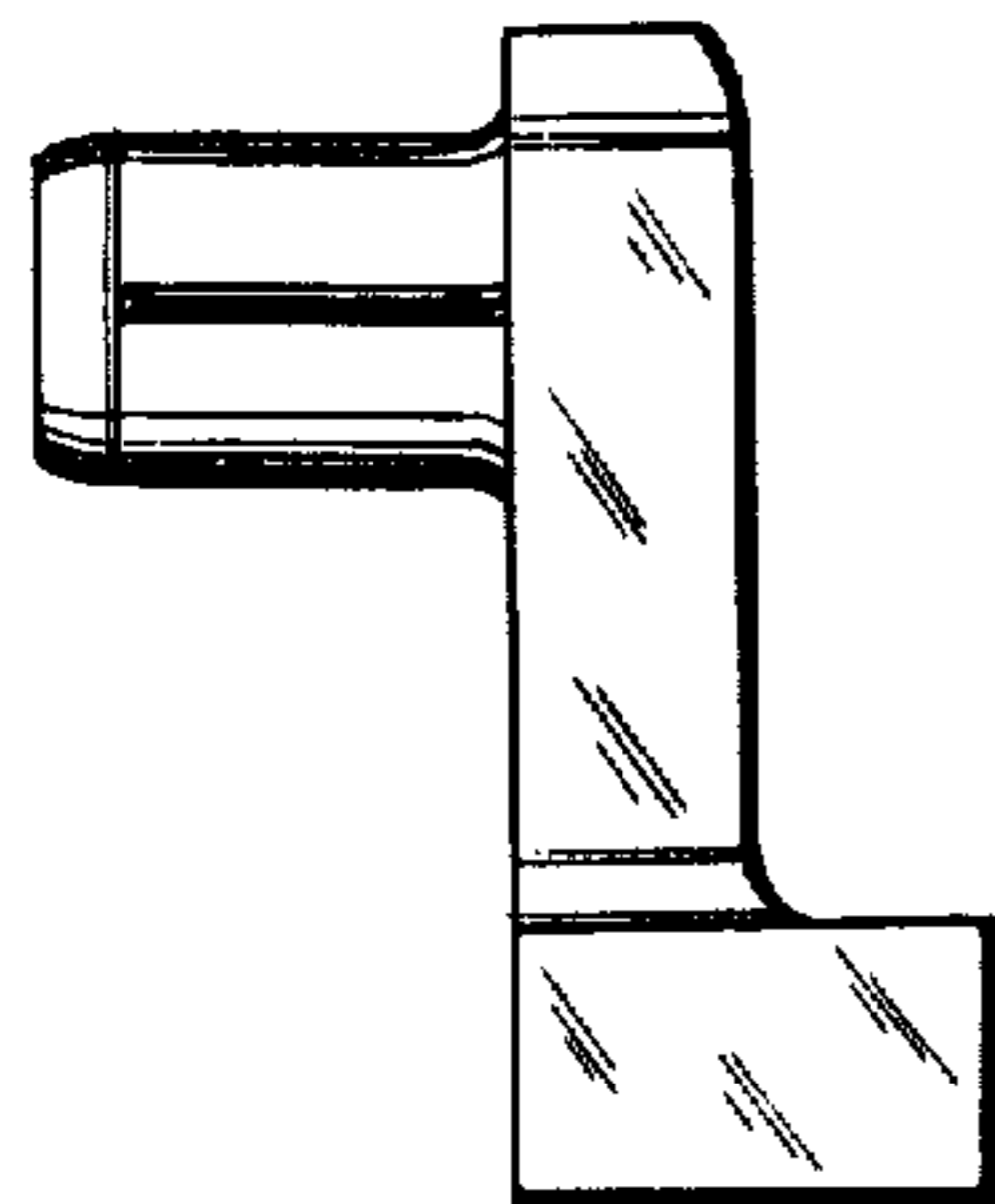


FIG. 2

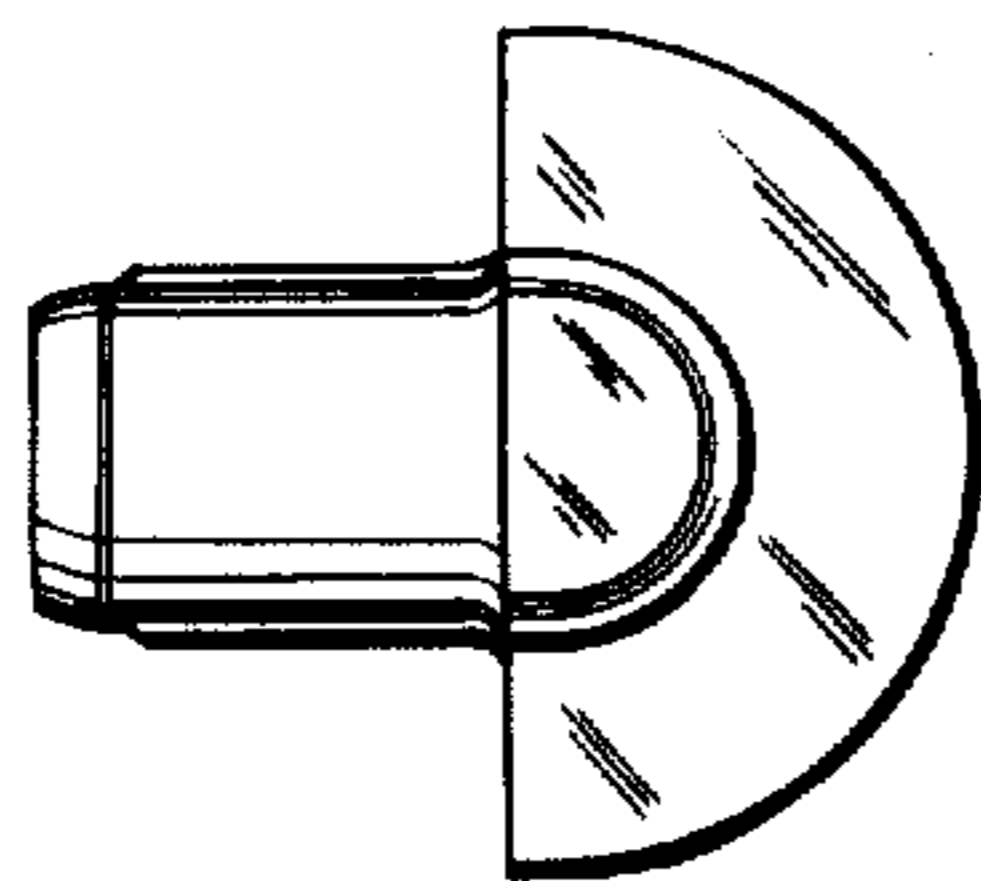


FIG. 4

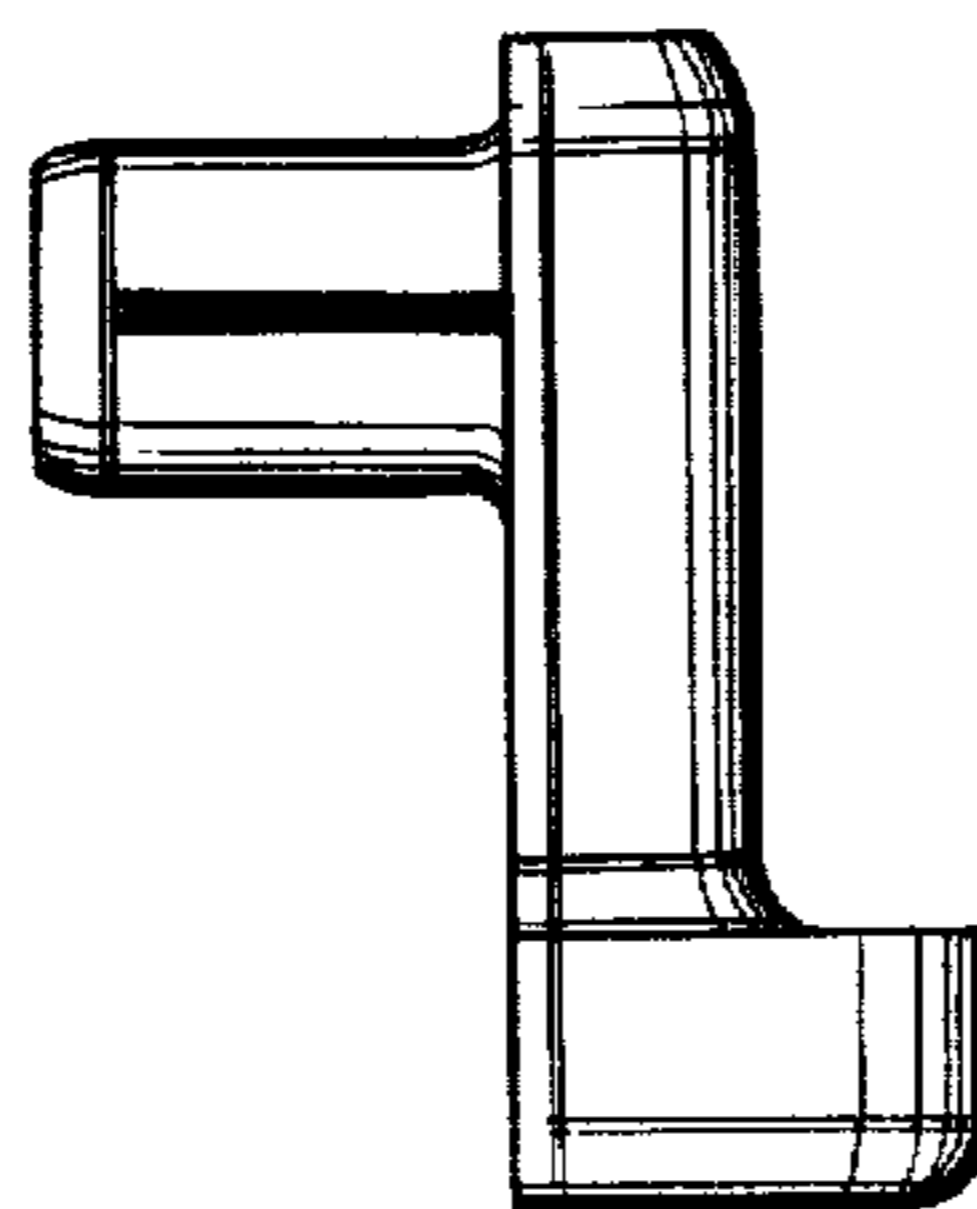


FIG. 5

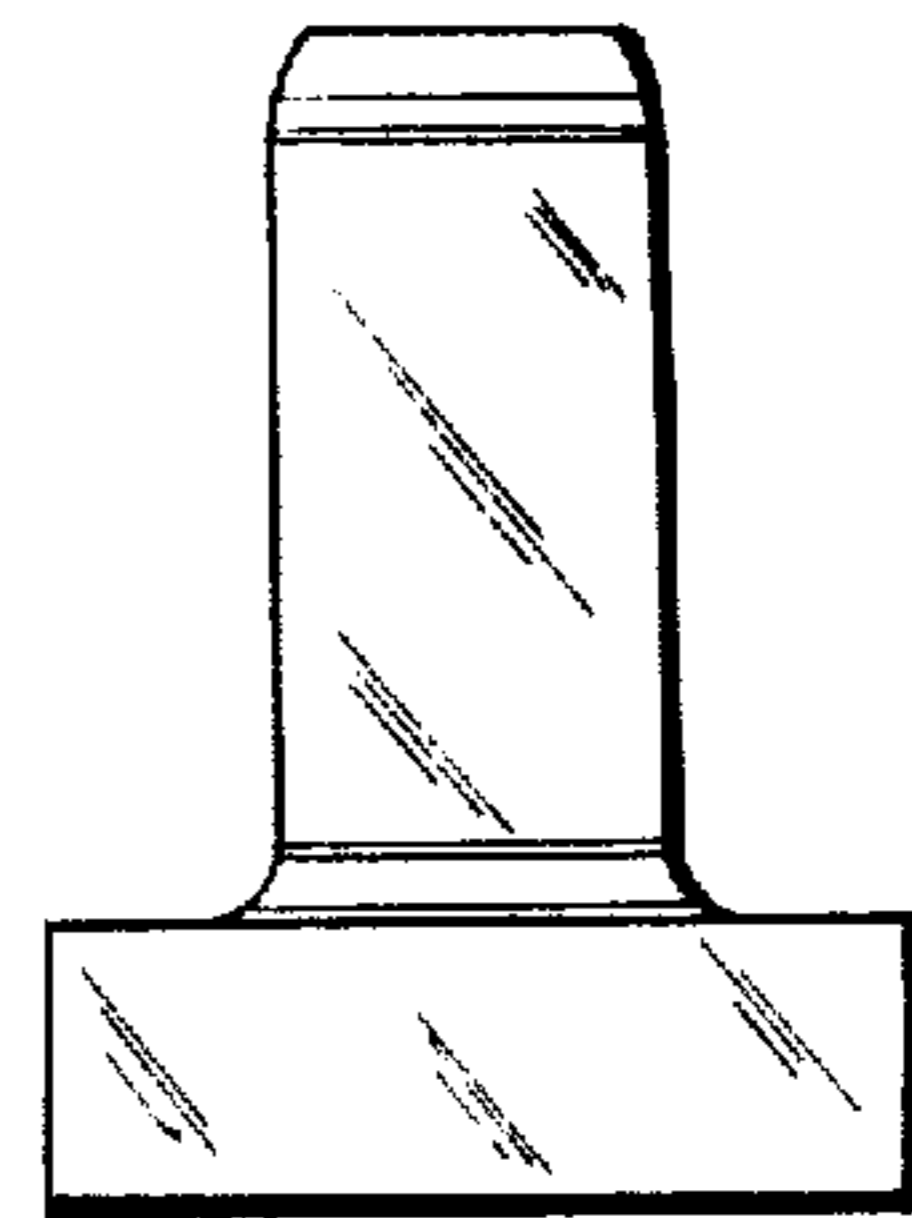


FIG. 3

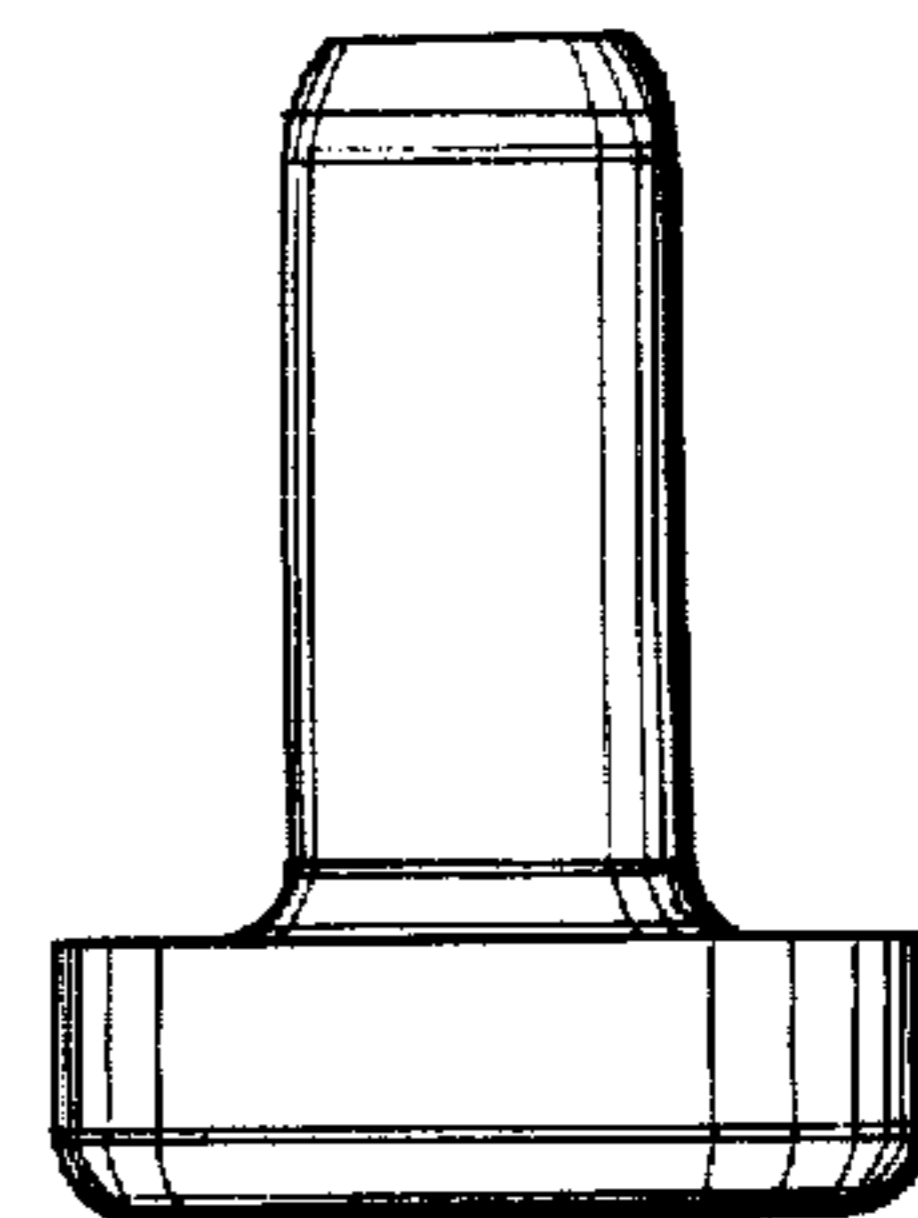


FIG. 6

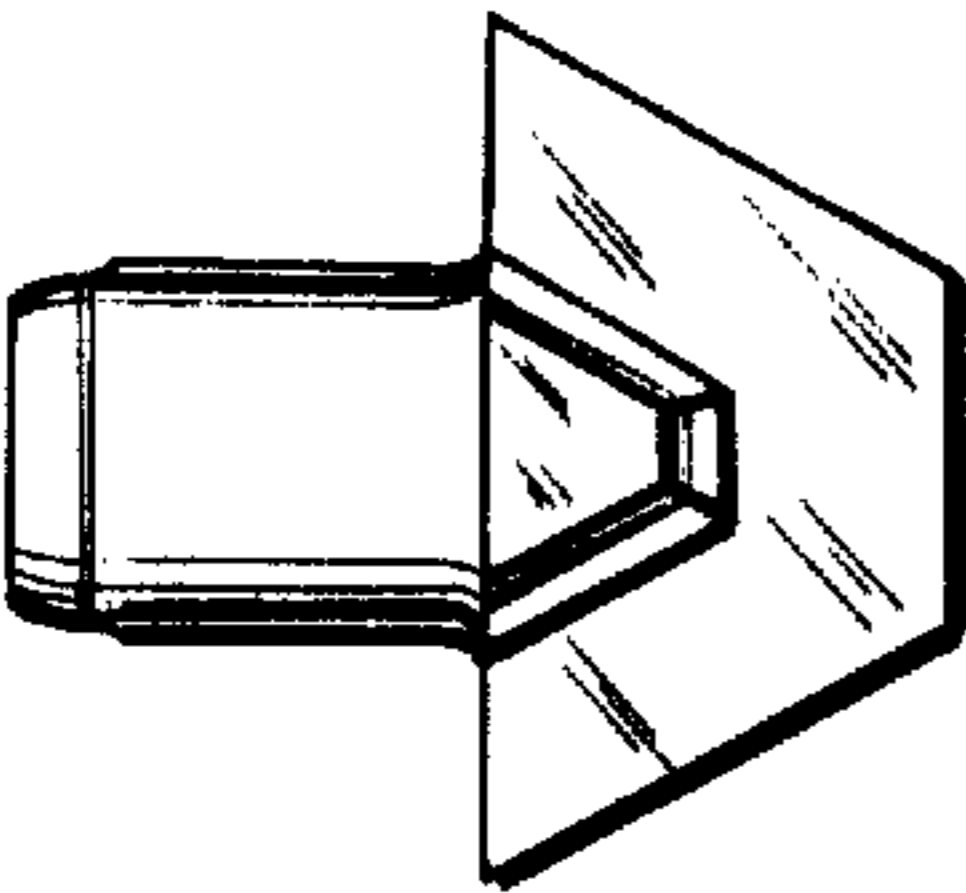


FIG. 7

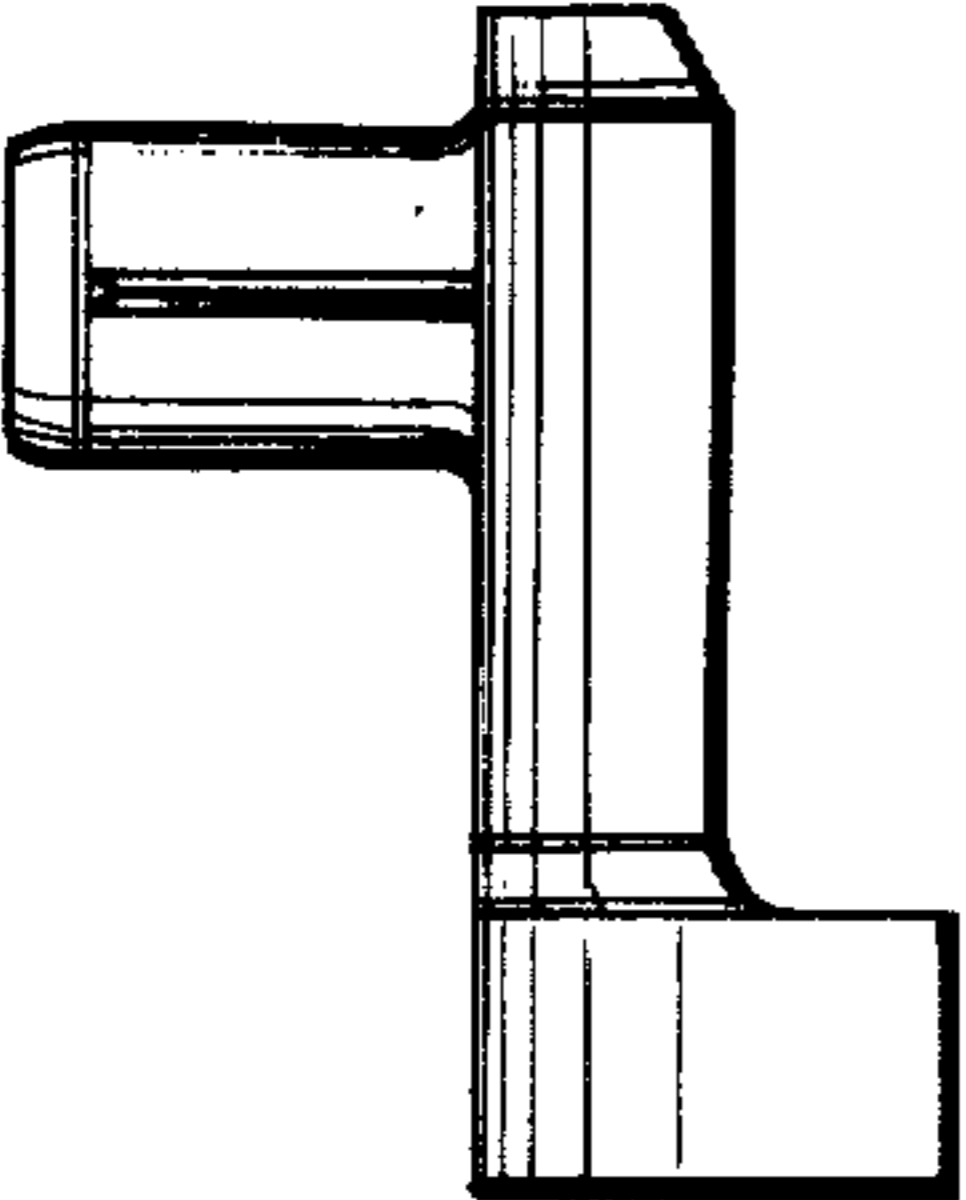


FIG. 8

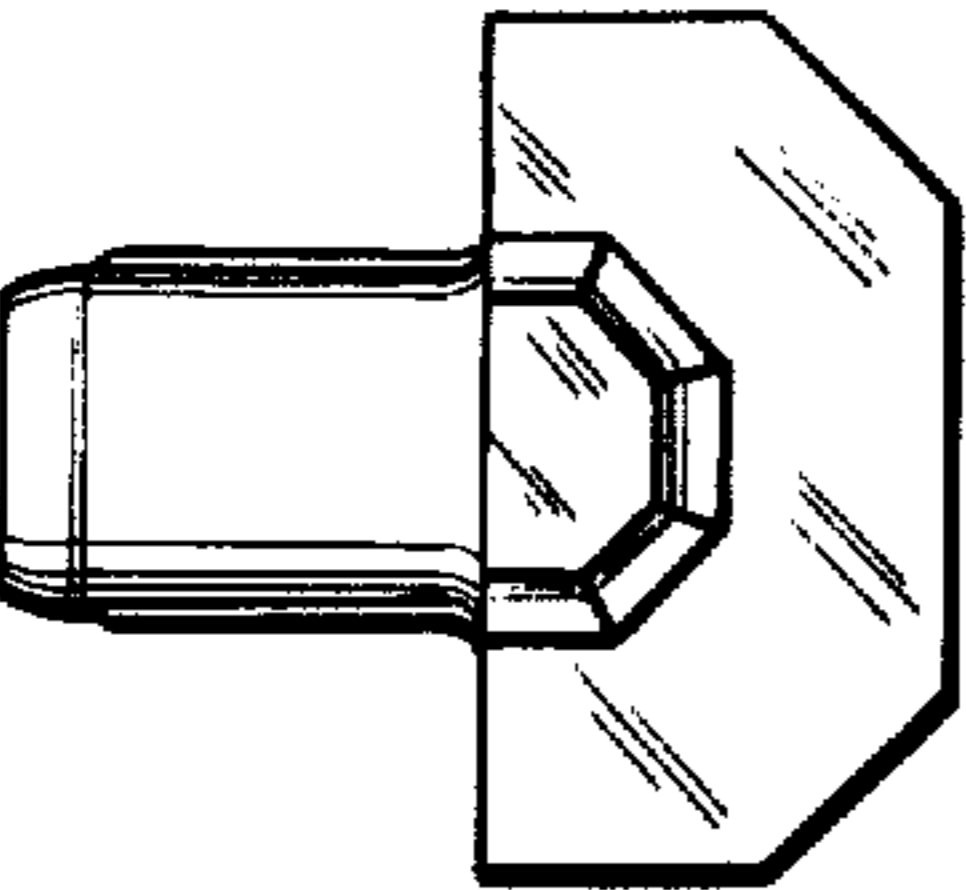


FIG. 10

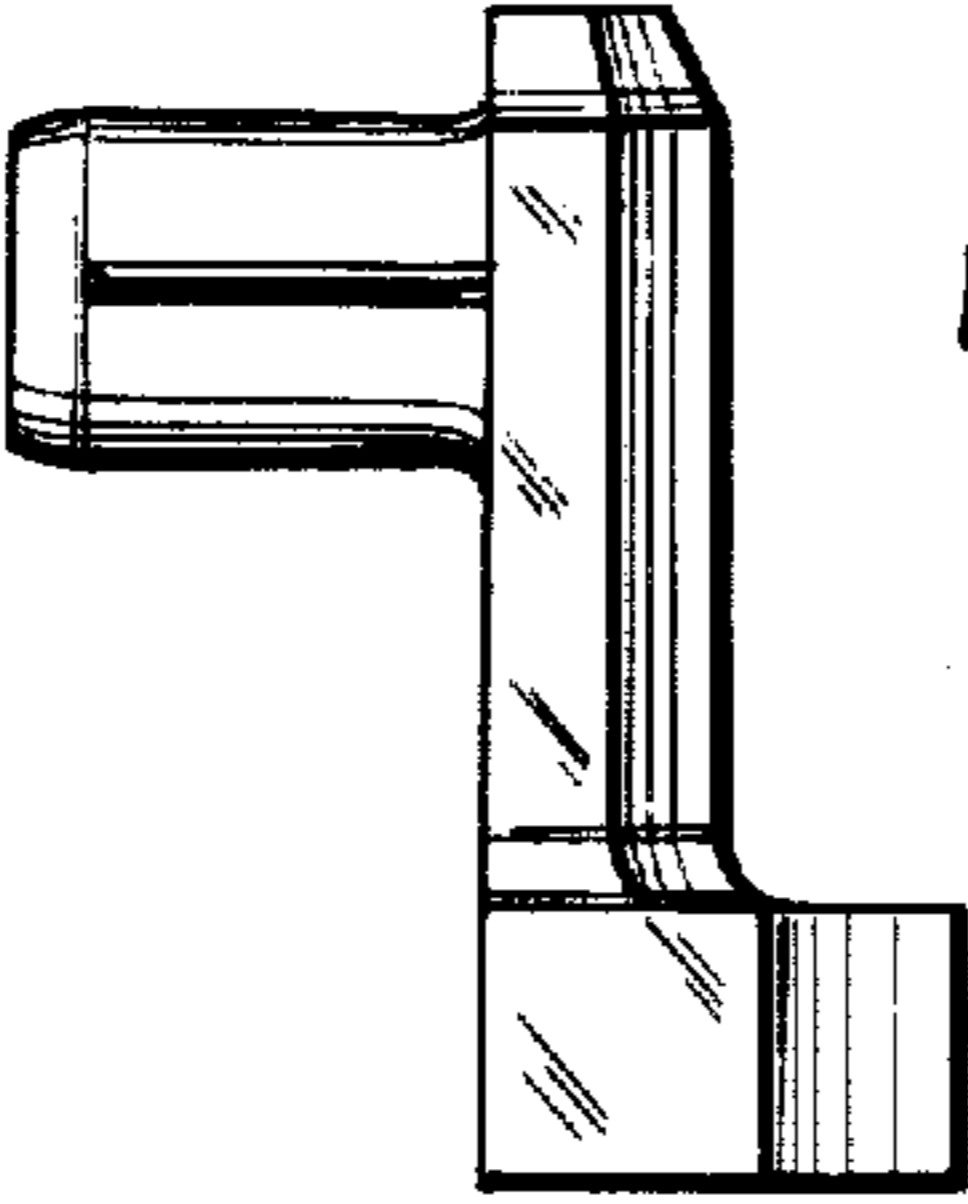


FIG. 11

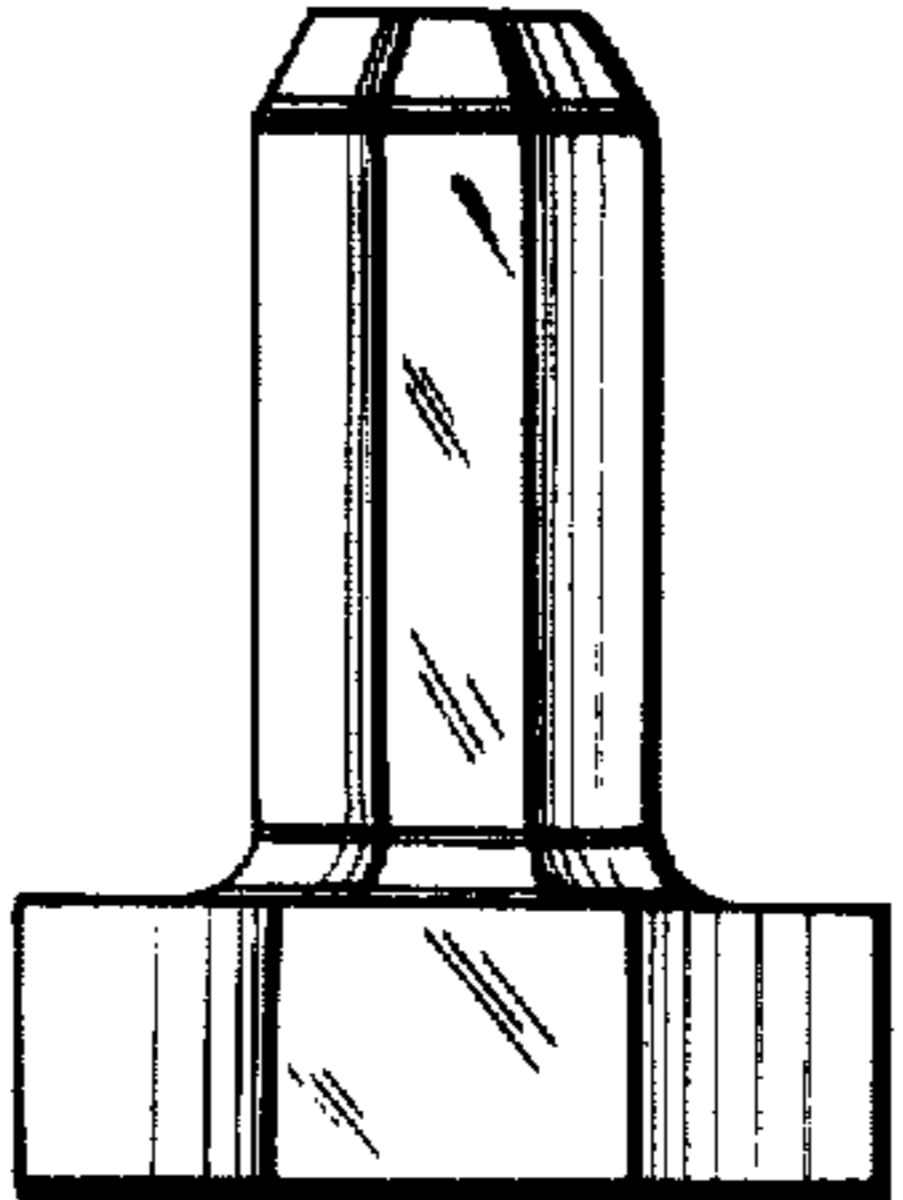


FIG. 9

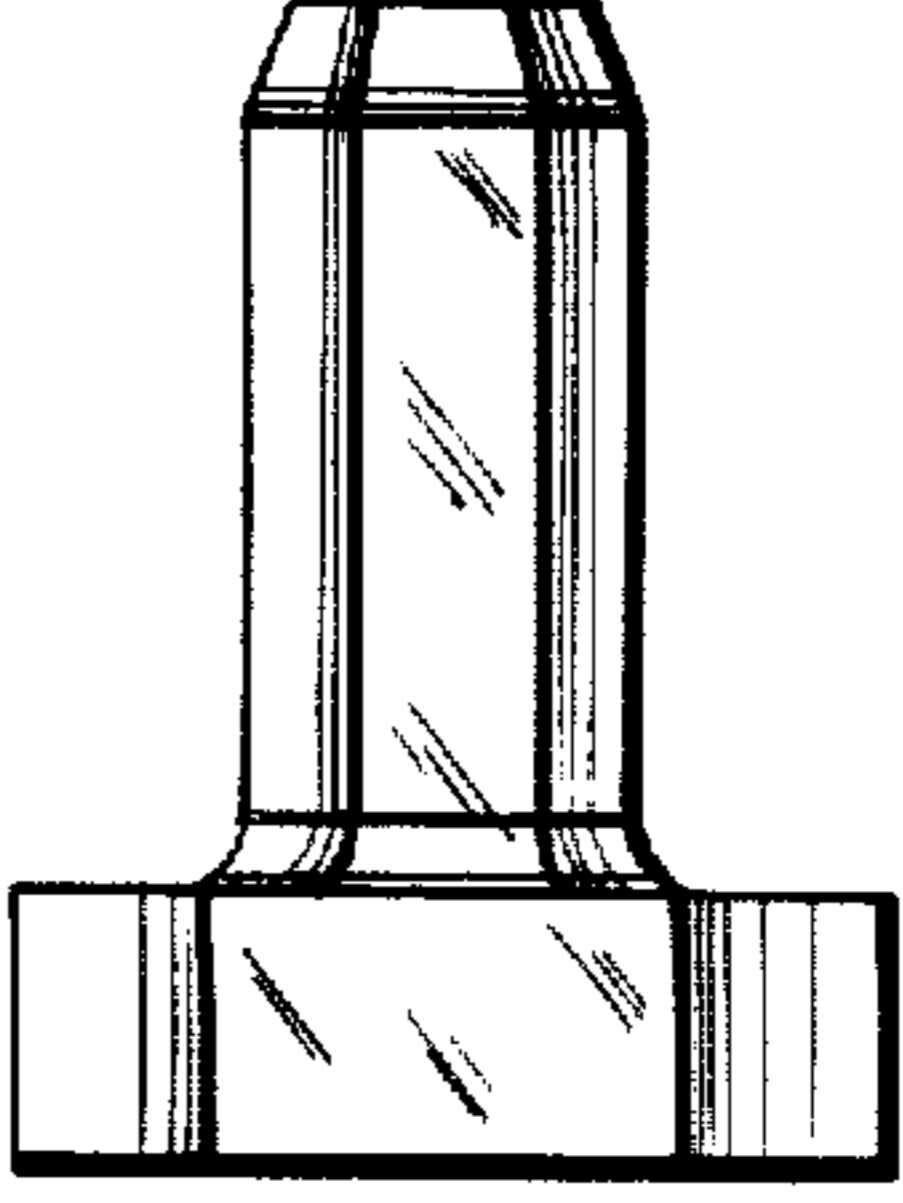


FIG. 12