

[54] TABLE

[76] Inventor: Robert A. Philpot, 1048 Prep St., Augusta, Ga. 30901

[**] Term: 14 Years

[21] Appl. No.: 925,985

[22] Filed: Jul. 19, 1978

[51] Int. Cl. D06-03

[52] U.S. Cl. D6/179; D6/168; D6/186

[58] Field of Search D6/177, 179, 148, 161, D6/1, 4, 164, 167, 168, 181, 185, 186; D14/14, 17, 18, 20, 21; 312/7 R, 9, 10, 242

[56] References Cited

U.S. PATENT DOCUMENTS

- D. 122,164 8/1940 Immermann D6/161
- D. 217,262 4/1970 Woods D14/20

D. 244,820 6/1977 Freeman D6/186

OTHER PUBLICATIONS

Interiors, Jan. 1971, p. 6, Oval Desk by Frank Lloyd Wright, center right.

Primary Examiner—Joel Stearman

Assistant Examiner—Carmen H. Vales

Attorney, Agent, or Firm—James B. Middleton

[57] CLAIM

The ornamental design for a table, substantially as shown and described.

DESCRIPTION

FIG. 1 is a top, front and left perspective view of a table showing my new design;

FIG. 2 is an end elevational view thereof;

FIG. 3 is a rear elevational view thereof;

FIG. 4 is a sectional view taken along the line 4-4 of FIG. 1; and,

FIG. 5 is a bottom plan view thereof.

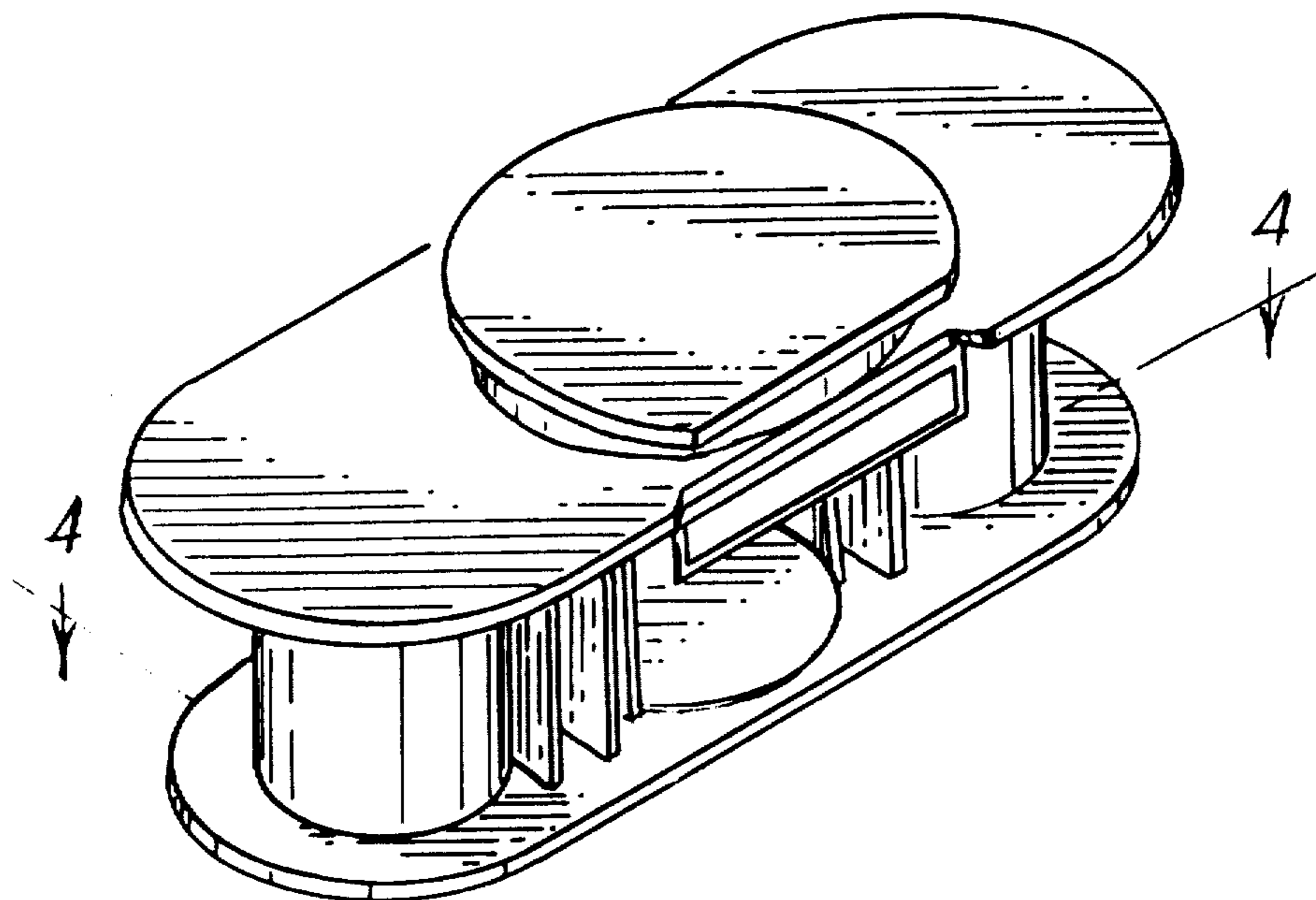


Fig. 1

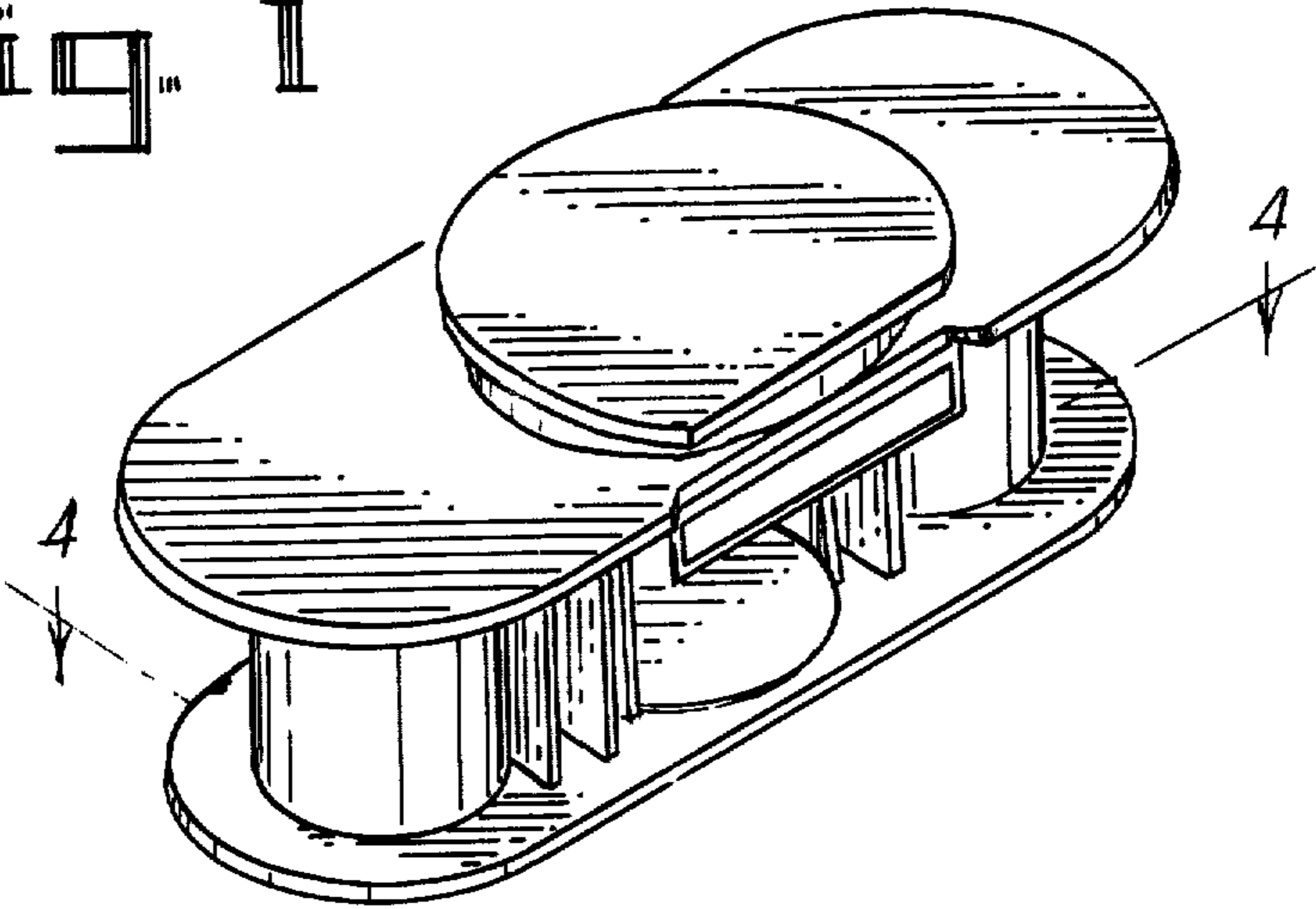


Fig. 2

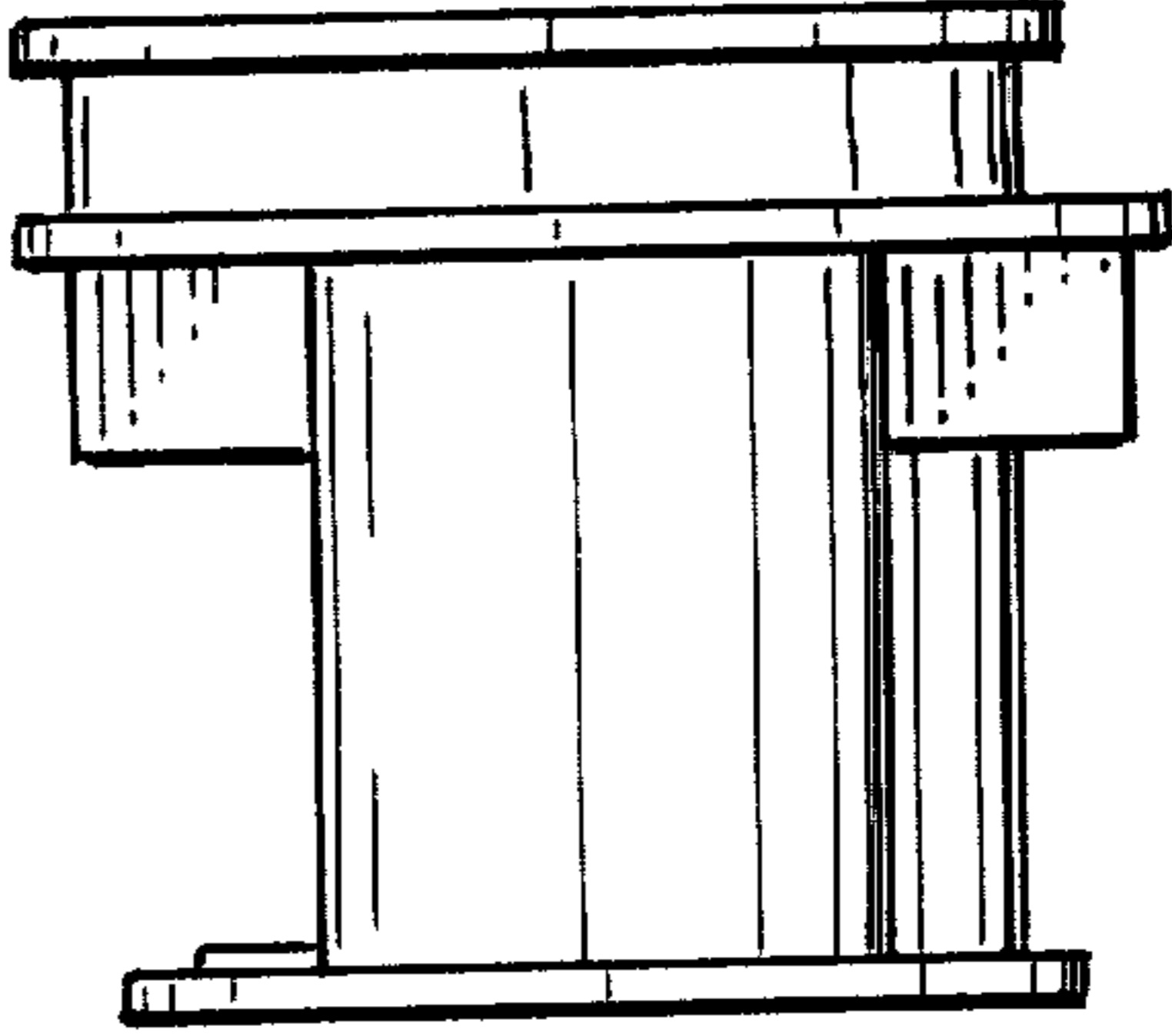


Fig. 3

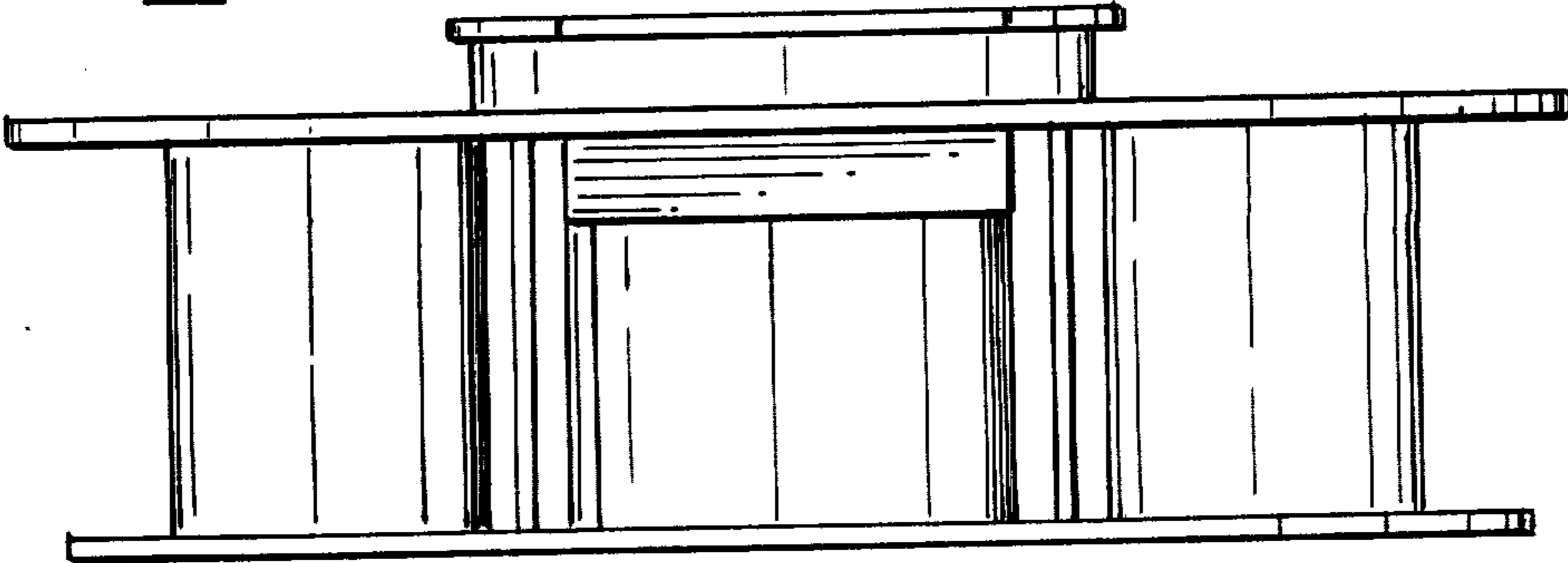


Fig. 4

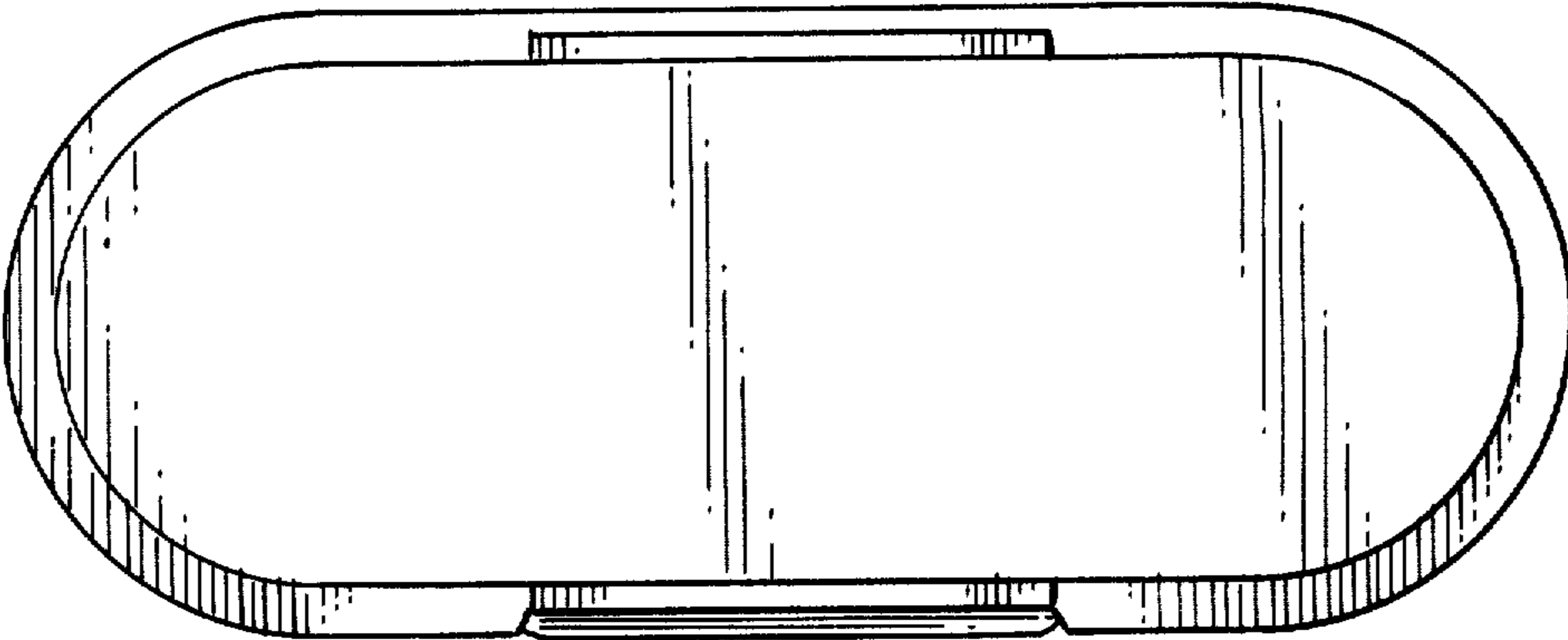
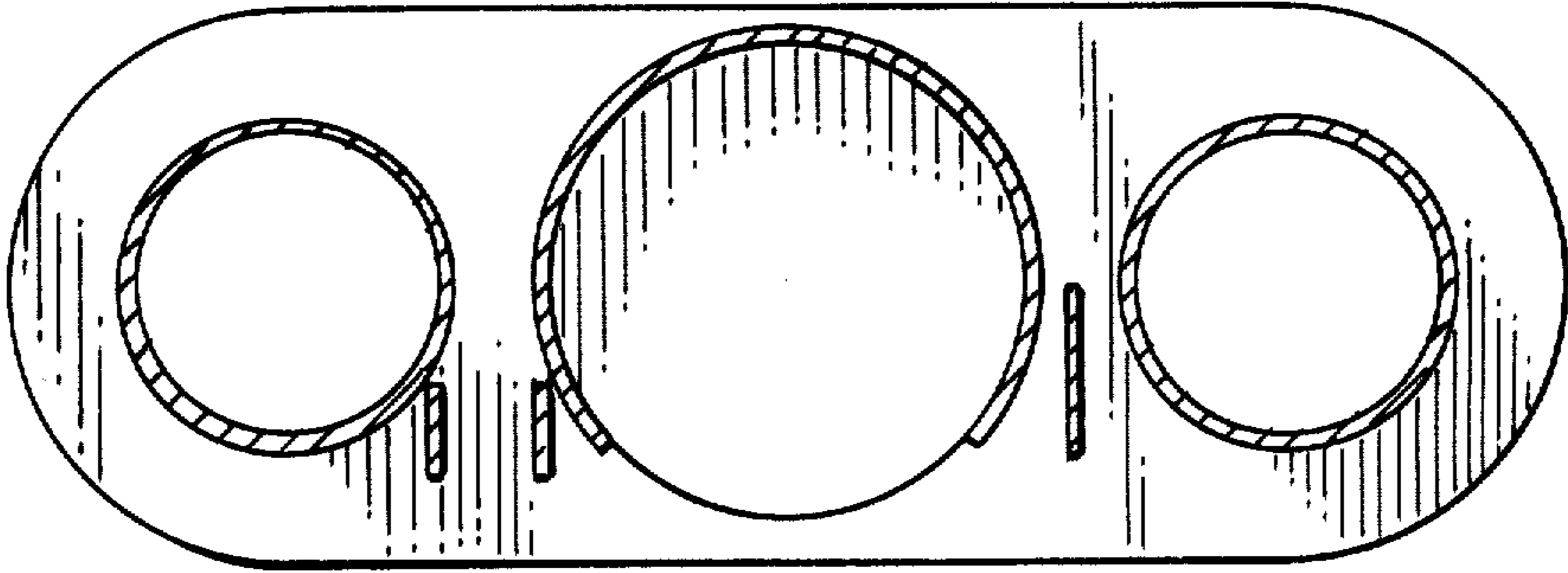


Fig. 5