

- [54] SALAD BAR 3,162,495 12/1964 Swift ..... 312/140.1
- [75] Inventors: James C. Schindler, Naperville, Ill.;  
Richard Hoeft, III, Santa Barbara,  
Calif.; Joan Grez, La Grange, Ill.
- [73] Assignee: McDonald's Corporation, Oak Brook,  
Ill.
- [\*\*] Term: 14 Years
- [21] Appl. No.: 31,954
- [22] Filed: Apr. 20, 1979
- [51] Int. Cl. .... D6-03
- [52] U.S. Cl. .... D6/144; D6/179;  
D6/186; D6/187
- [58] Field of Search ..... D6/144, 157, 159, 172,  
D6/173, 181, 186-188, 179; 312/140.1, 140.2,  
285

- [56] **References Cited**
- U.S. PATENT DOCUMENTS**
- D. 240,100 6/1976 Weddendorf ..... D6/146

**OTHER PUBLICATIONS**

Institutions/vol. Feeding, 9/01/1977, p. 113, salad cart.  
Foodservice Equipment Dealer, 1977 Buyer's Guide, p.  
56, foodservice cart (bottom of page).

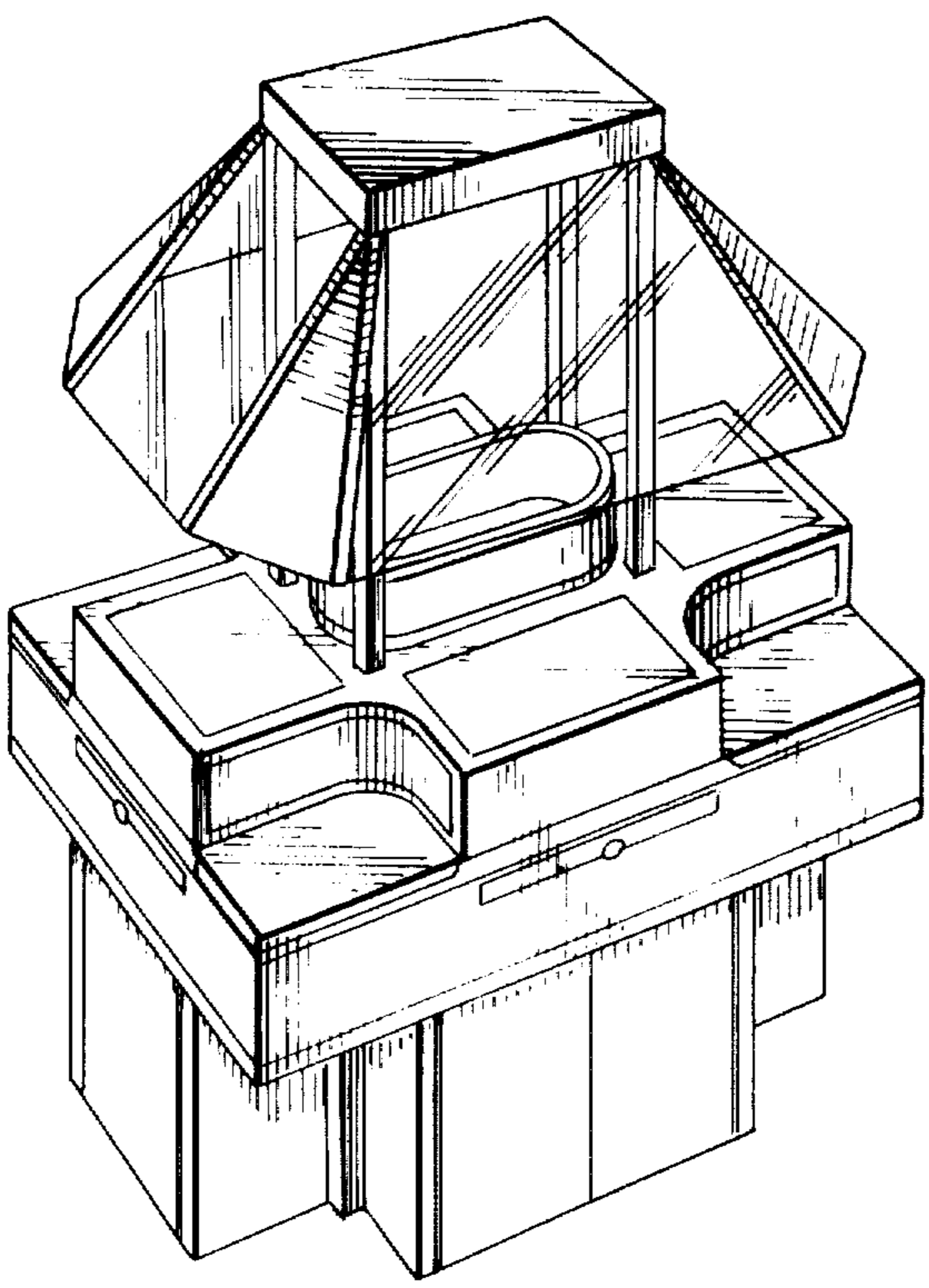
*Primary Examiner*—B. J. Bullock  
*Attorney, Agent, or Firm*—Dressler, Goldsmith, Shore,  
Sutker & Milnamow, Ltd.

[57] **CLAIM**

The ornamental design in a salad bar, substantially as  
shown.

**DESCRIPTION**

FIG. 1 is a reduced left front perspective view of a salad  
bar showing our new design, the right rear perspective  
view being identical;  
FIG. 2 is an end elevational view thereof, the other end  
being identical;  
FIG. 3 is a top plan view thereof, the bottom being  
unornamental; and  
FIG. 4 is a front elevational view thereof.



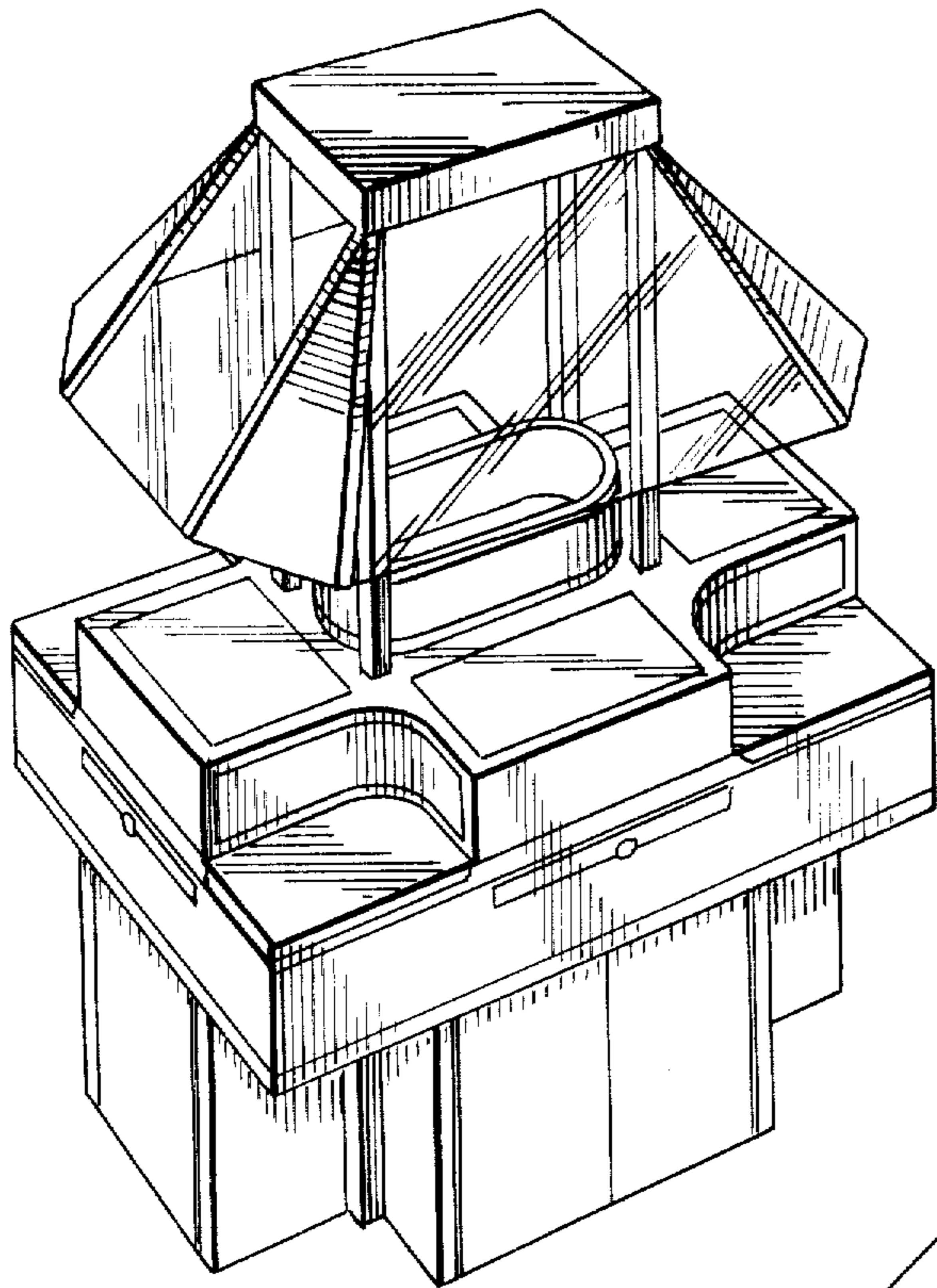


FIG. 1

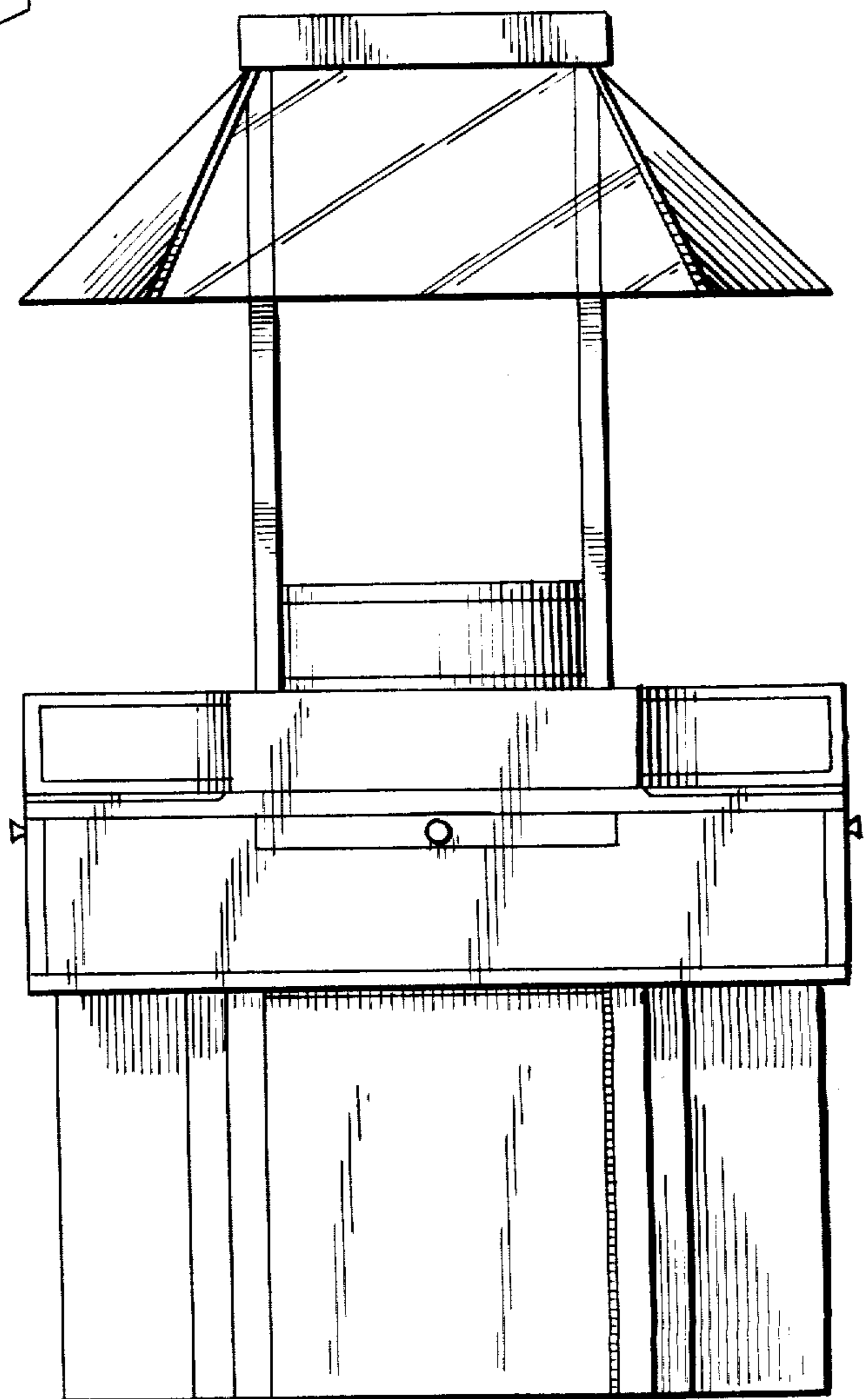


FIG. 2

FIG. 3

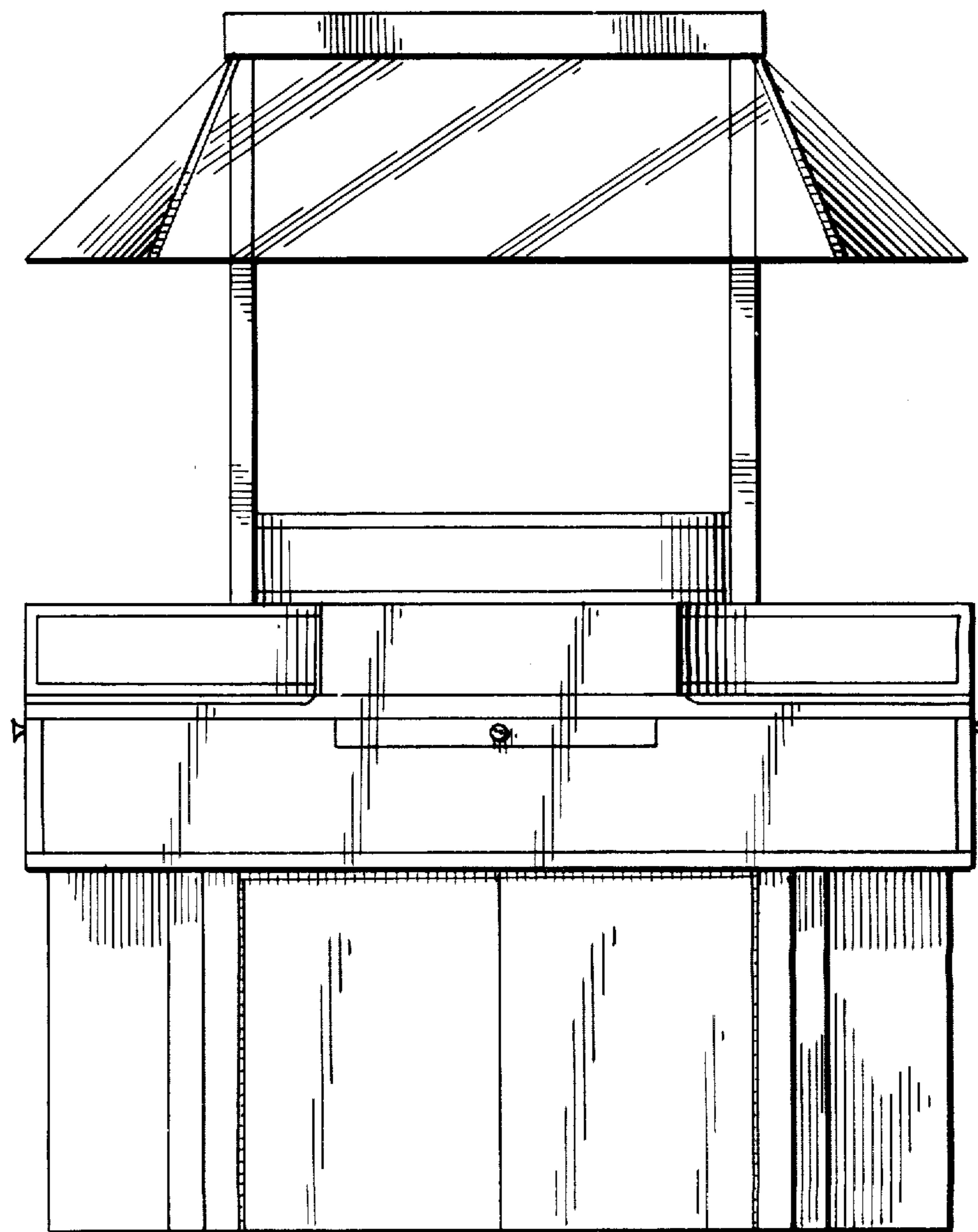
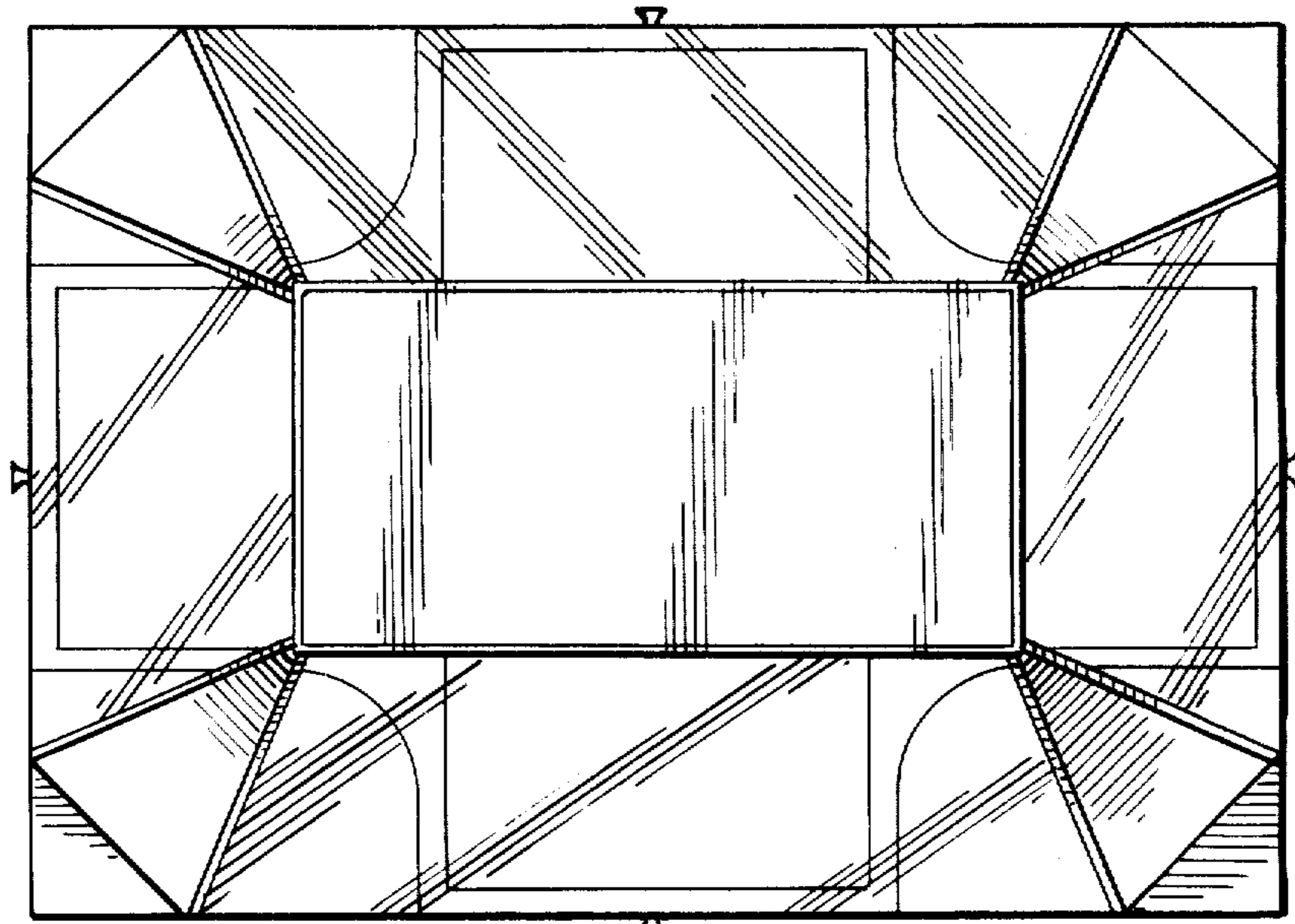


FIG. 4