

[54] **COMBINED DISPOSABLE CIGARETTE LIGHTER AND CIGARETTE PACKAGE HOLDER**

[76] Inventor: **Bobby D. Storms**, Rte. 2, Box 427, Bladenboro, N.C. 28320

[**] Term: **14 Years**

[21] Appl. No.: **941,889**

[22] Filed: **Sep. 13, 1978**

[51] Int. Cl. **D27-05**

[52] U.S. Cl. **D27/37**

[58] Field of Search **D27/36-42; 431/253; 206/85, 86, 87**

[56] **References Cited**

U.S. PATENT DOCUMENTS

D. 83,333	2/1931	McCorkindale	D27/37
D. 195,731	7/1963	Steppan	D27/37
1,846,275	2/1932	Palanjian	206/87

2,116,963	5/1938	Aronson	206/87
2,782,910	2/1957	Leibow	206/87
3,057,180	10/1962	Steppan	431/253 X
3,178,016	4/1965	Coats	431/253 X
4,000,812	1/1977	Pisarski et al.	206/87

Primary Examiner—Susan J. Lucas
Attorney, Agent, or Firm—Dowell & Dowell

[57] **CLAIM**

The ornamental design for a combined disposable cigarette lighter and cigarette package holder, as shown and described.

DESCRIPTION

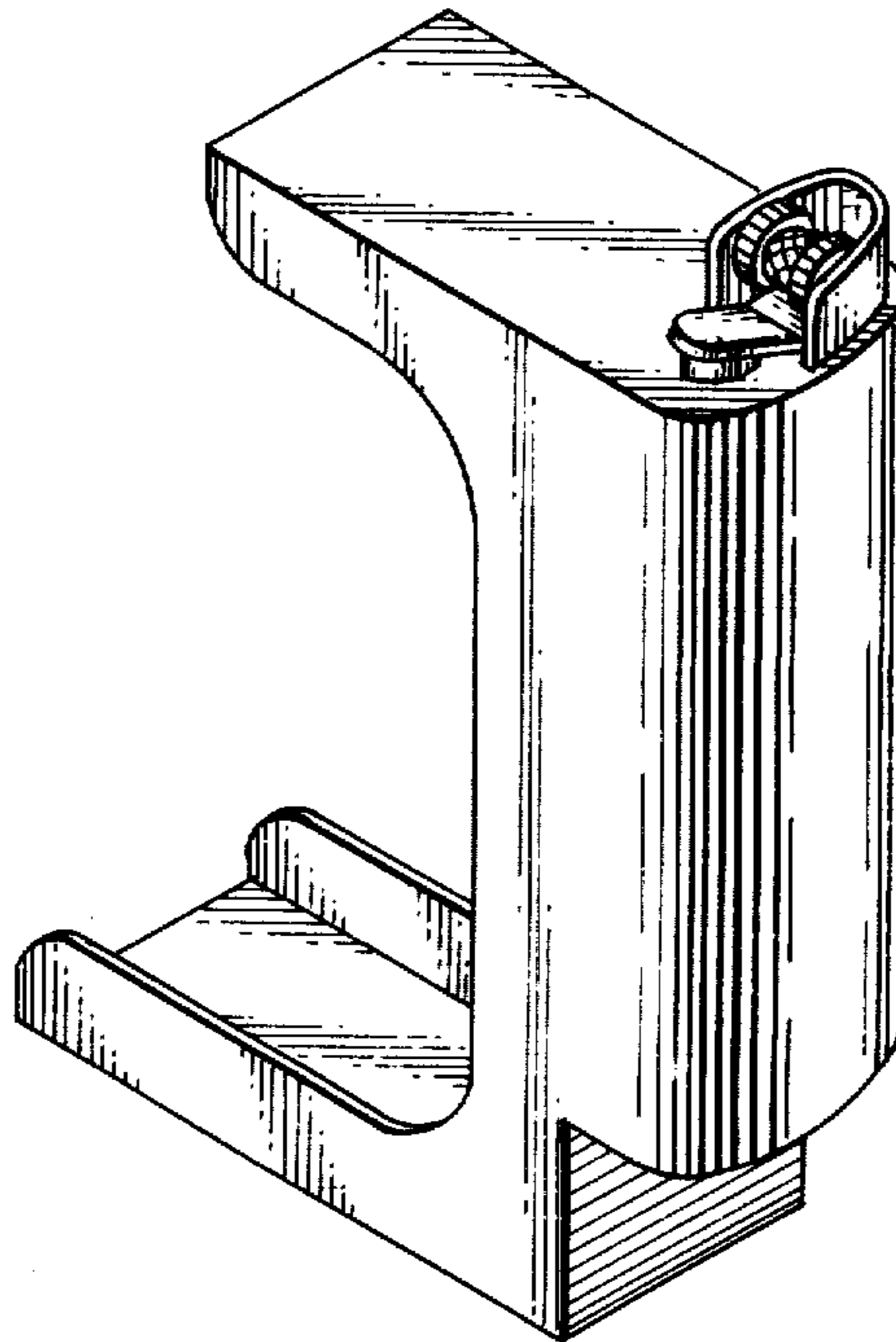
FIG. 1 is a perspective view showing the top, front and one side of the combined disposable cigarette lighter and cigarette package holder of my invention.

FIG. 2 is a perspective view showing the bottom, rear and other side thereof.

FIG. 3 is a perspective view of a second embodiment.

FIG. 4 is a perspective view of a third embodiment.

FIG. 5 is a perspective view of a fourth embodiment.



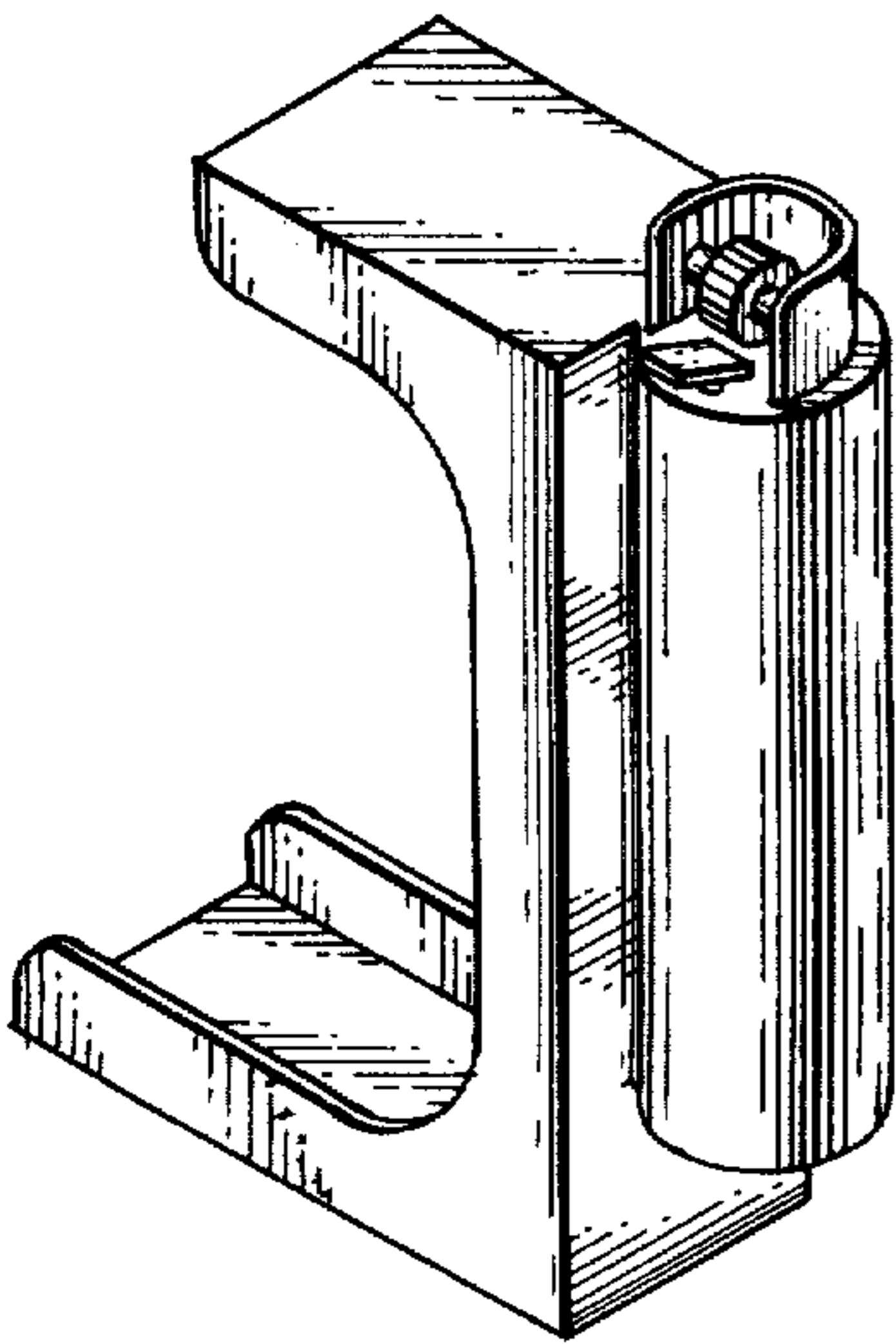
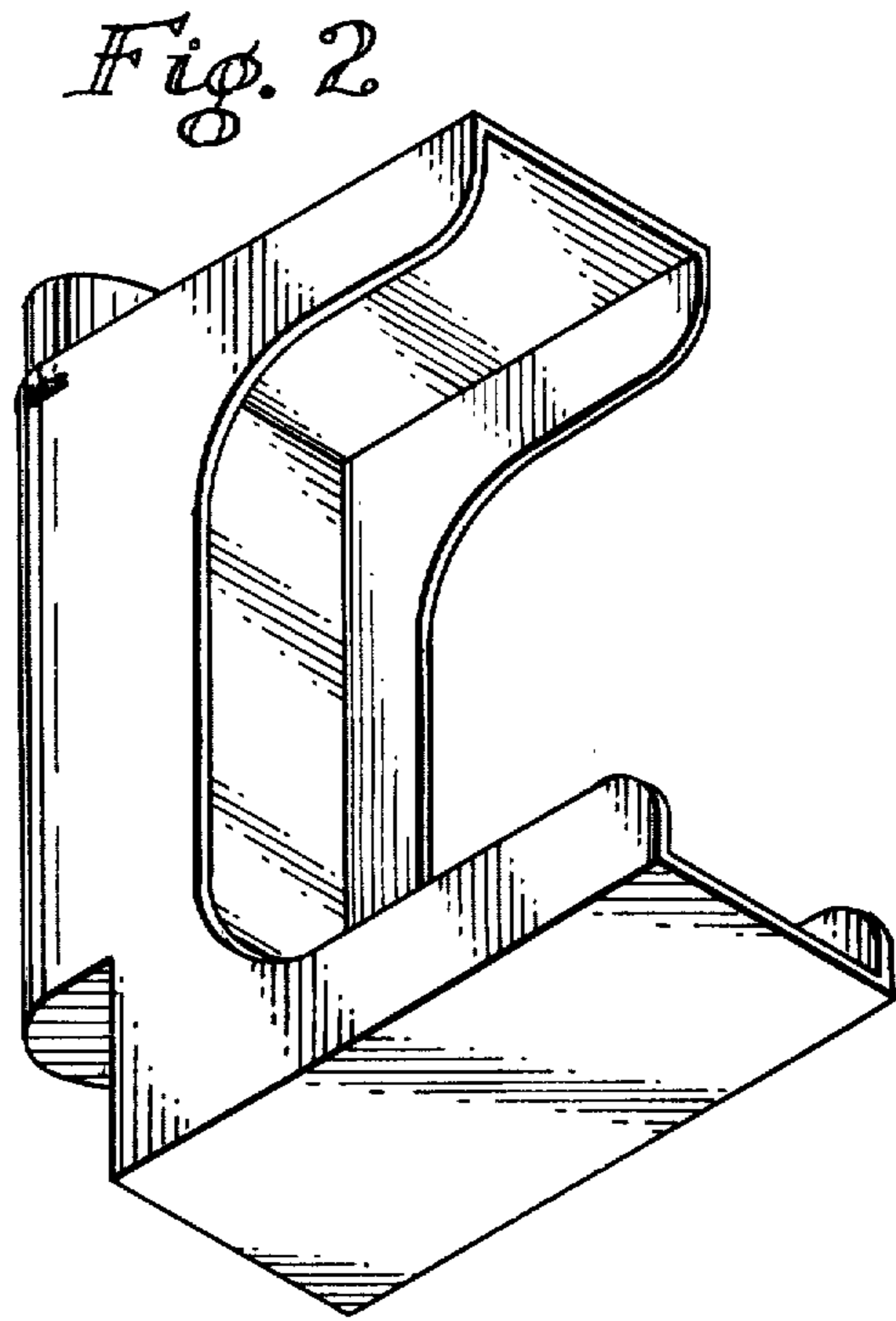
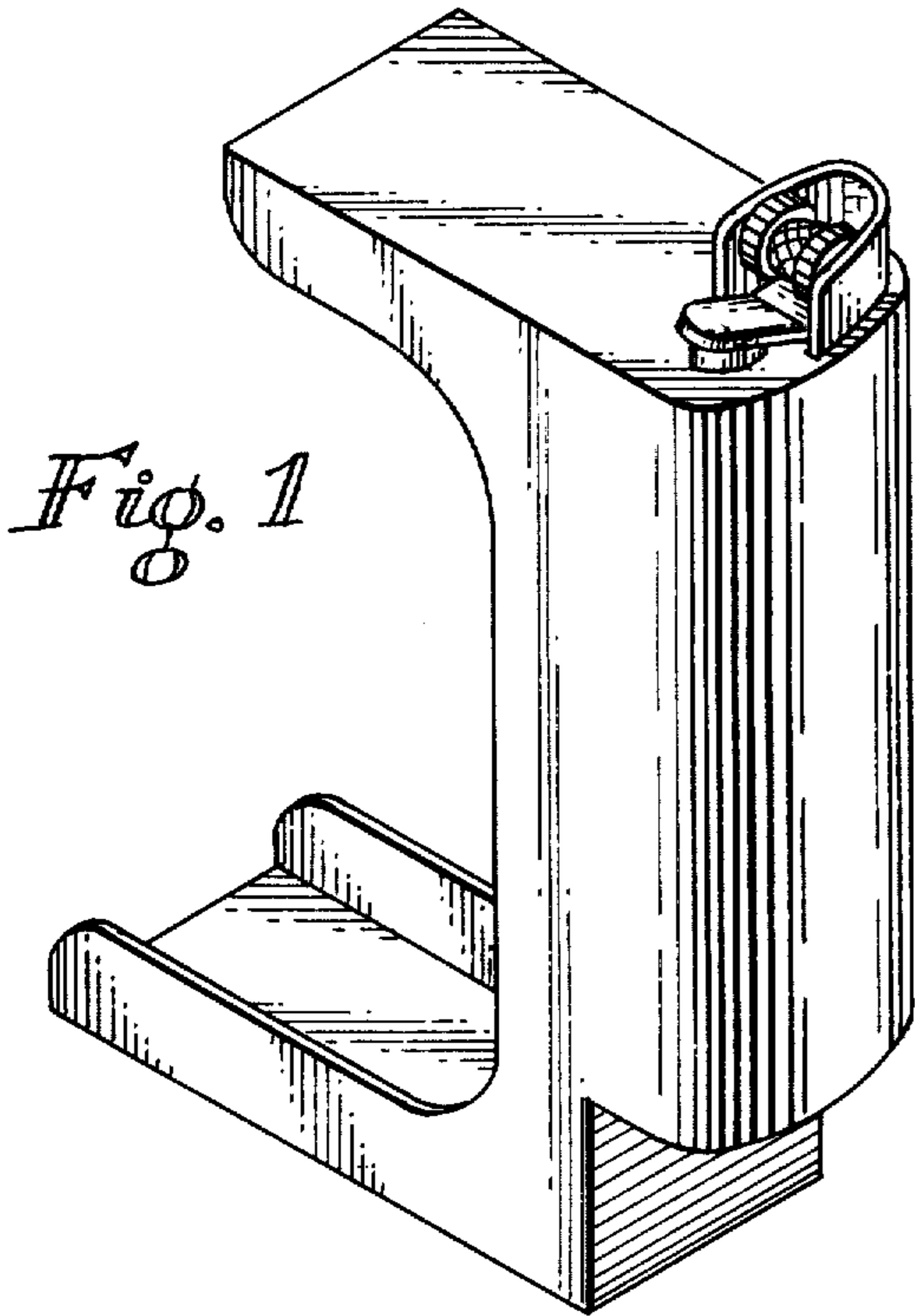


Fig. 3

Fig. 4

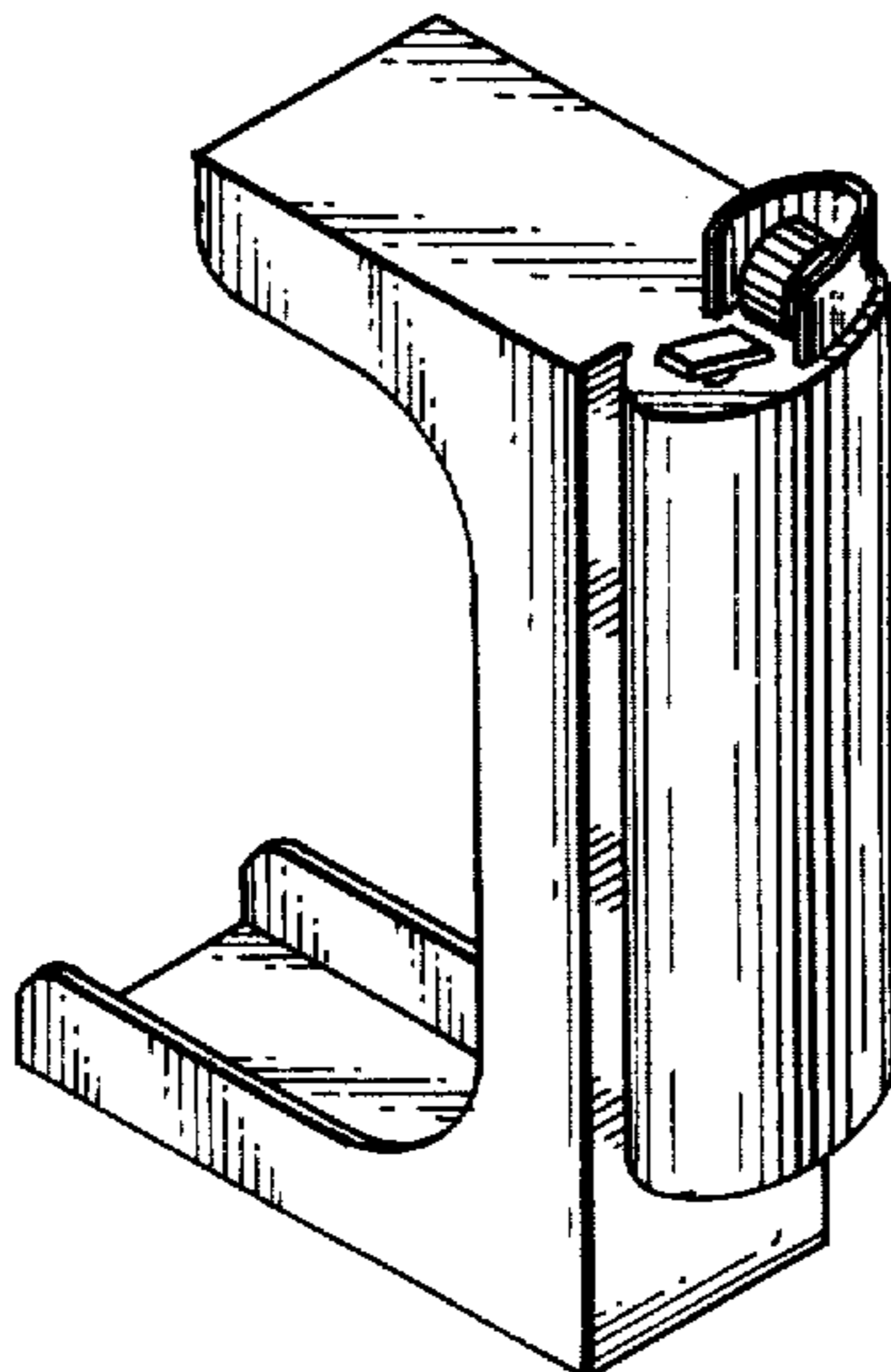
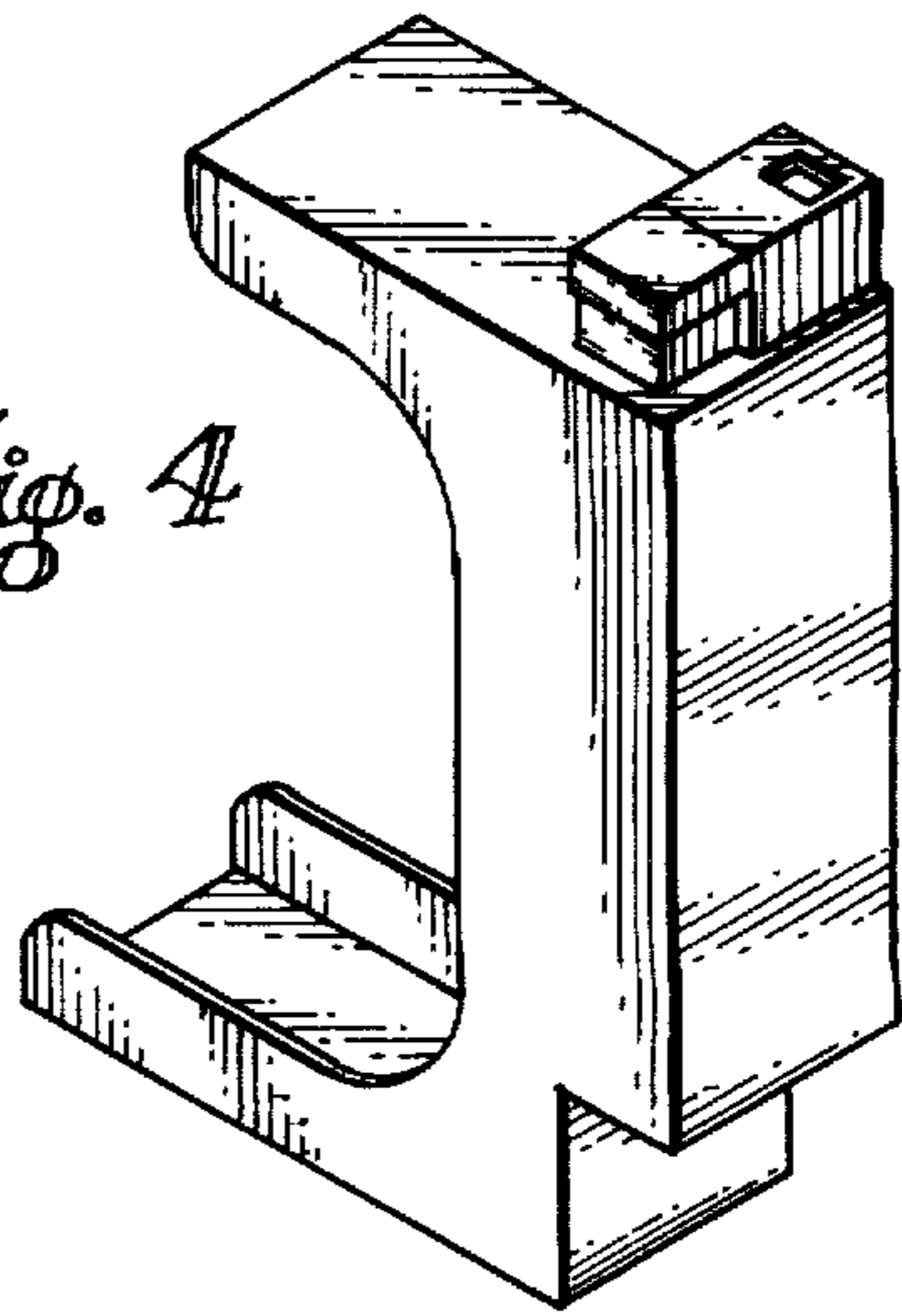


Fig. 5