

[54] FOLDING CABINET STEP

[76] Inventor: Vera Kokoska, 310 Clark St., Hot Springs, Ark. 71901

[**] Term: 14 Years

[21] Appl. No.: 39,111

[22] Filed: May 15, 1979

[51] Int. Cl. D6-06

[52] U.S. Cl. D25/65; D25/69; 182/91

[58] Field of Search D25/62, 63, 65, 69; D6/2, 9; 182/91; 280/166, 163; 312/235 R, 325

[56]

References Cited

U.S. PATENT DOCUMENTS

3,833,089 9/1974 Backwell 182/91

Primary Examiner—James M. Gandy

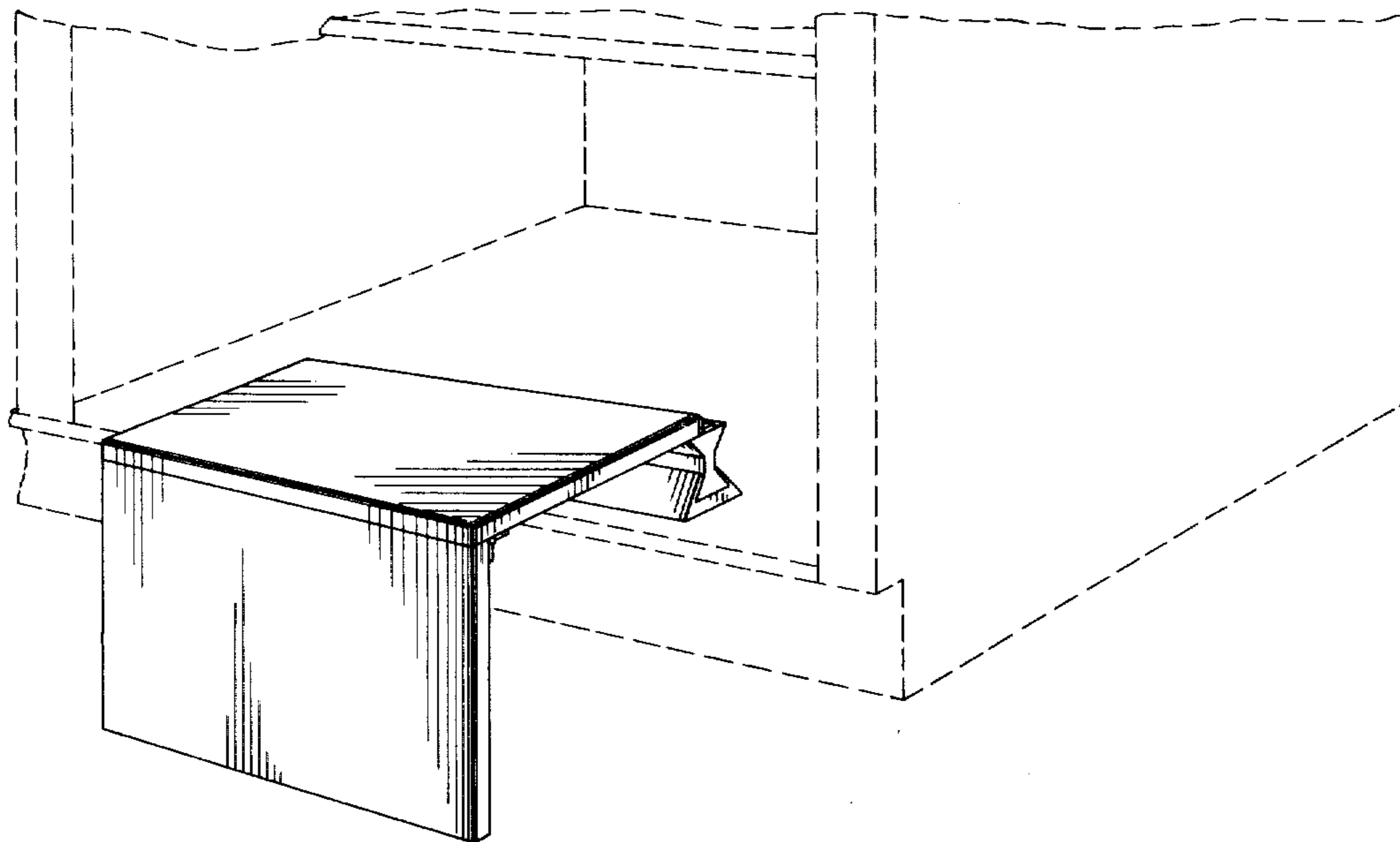
[57]

CLAIM

The ornamental design for a folding cabinet step, as shown and described.

DESCRIPTION

FIG. 1 is a perspective view of a folding cabinet step showing my new design, it being understood that the broken lines are for illustrative purposes only; FIG. 2 is an enlarged side elevational view thereof, the opposite side being a mirror image of that shown; FIG. 3 is a front elevational view of FIG. 2; FIG. 4 is a top plan view of FIG. 2; and FIG. 5 is a rear elevational view of FIG. 2.



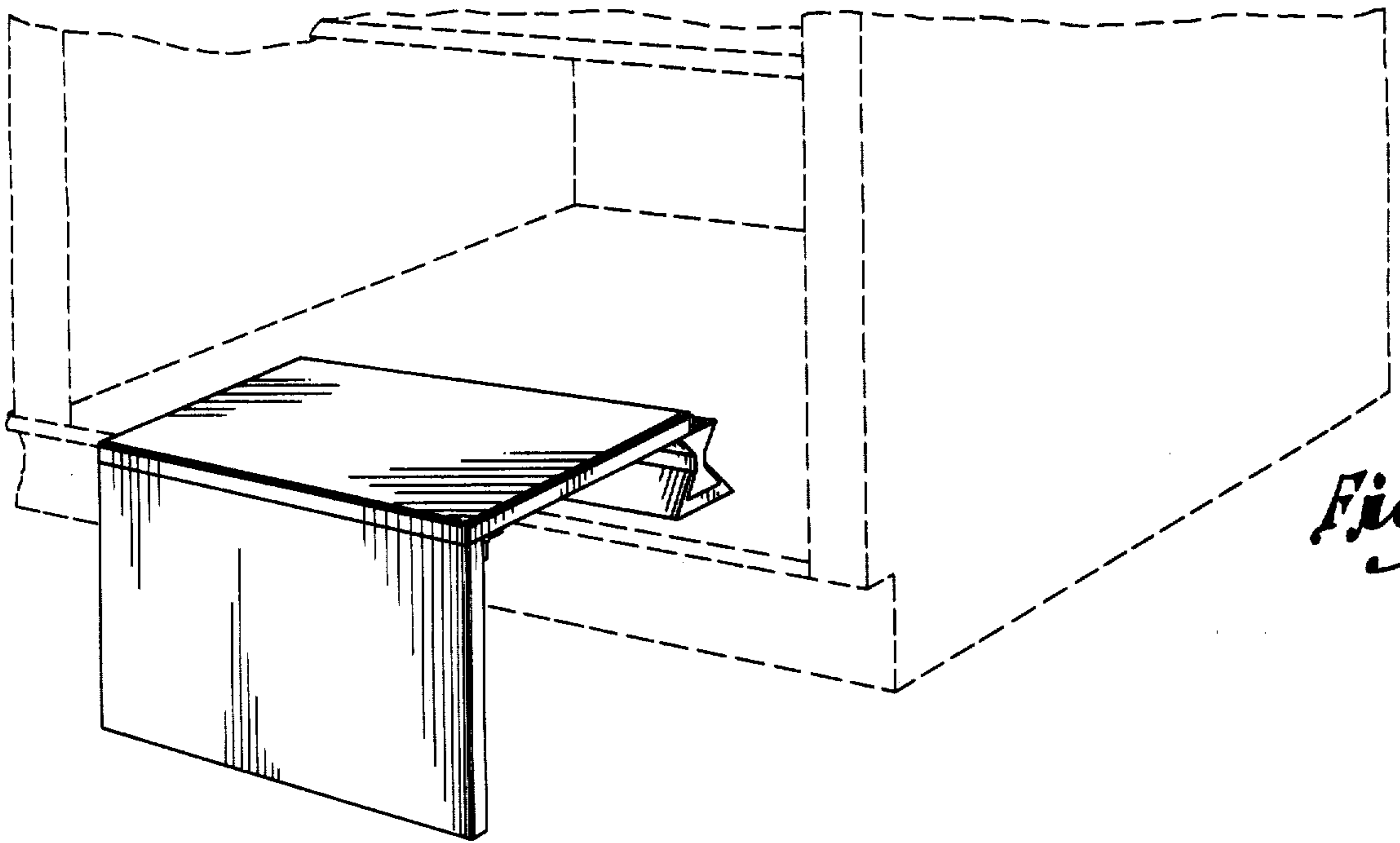


Fig. 1.

Fig. 2.

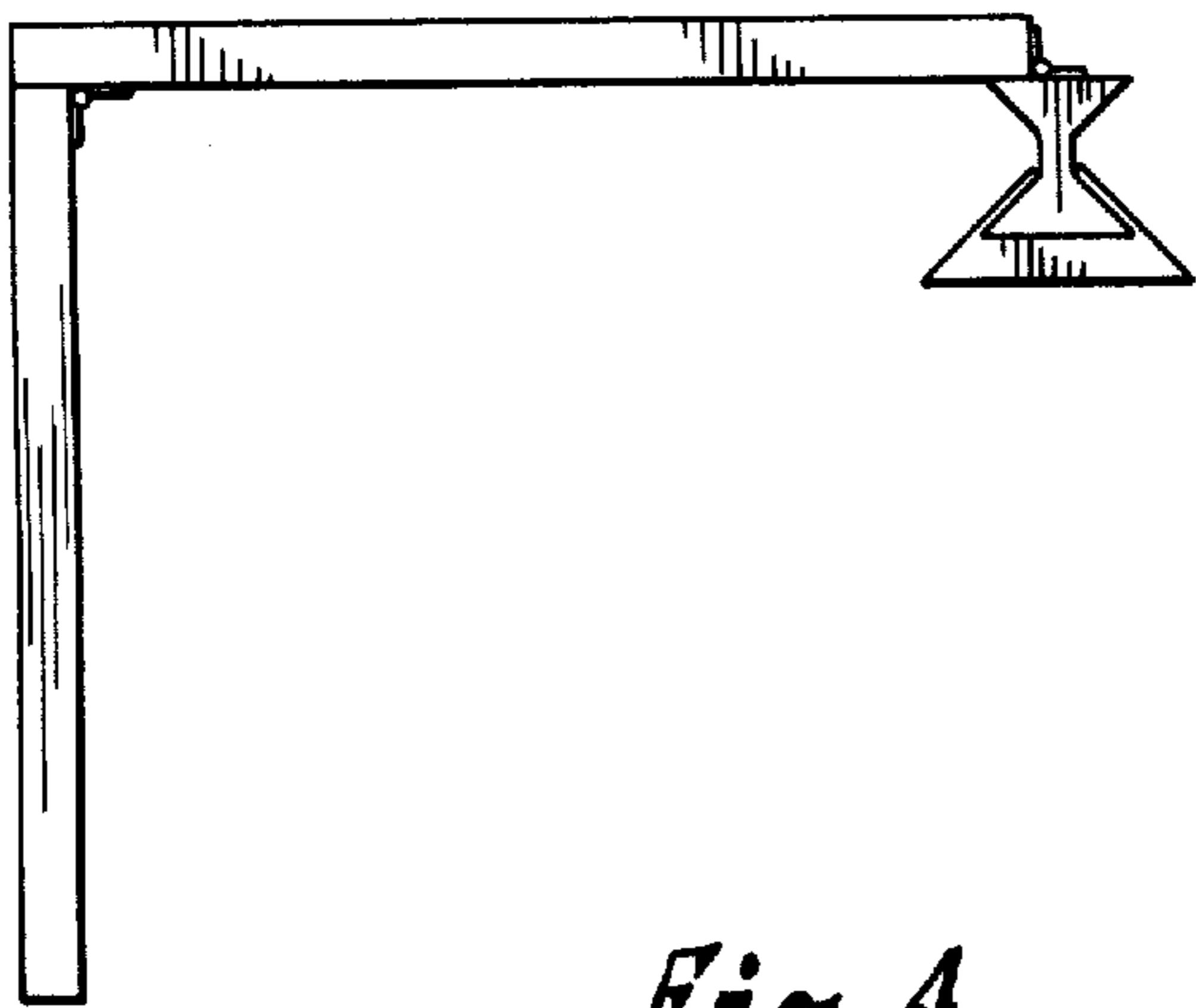


Fig. 3.

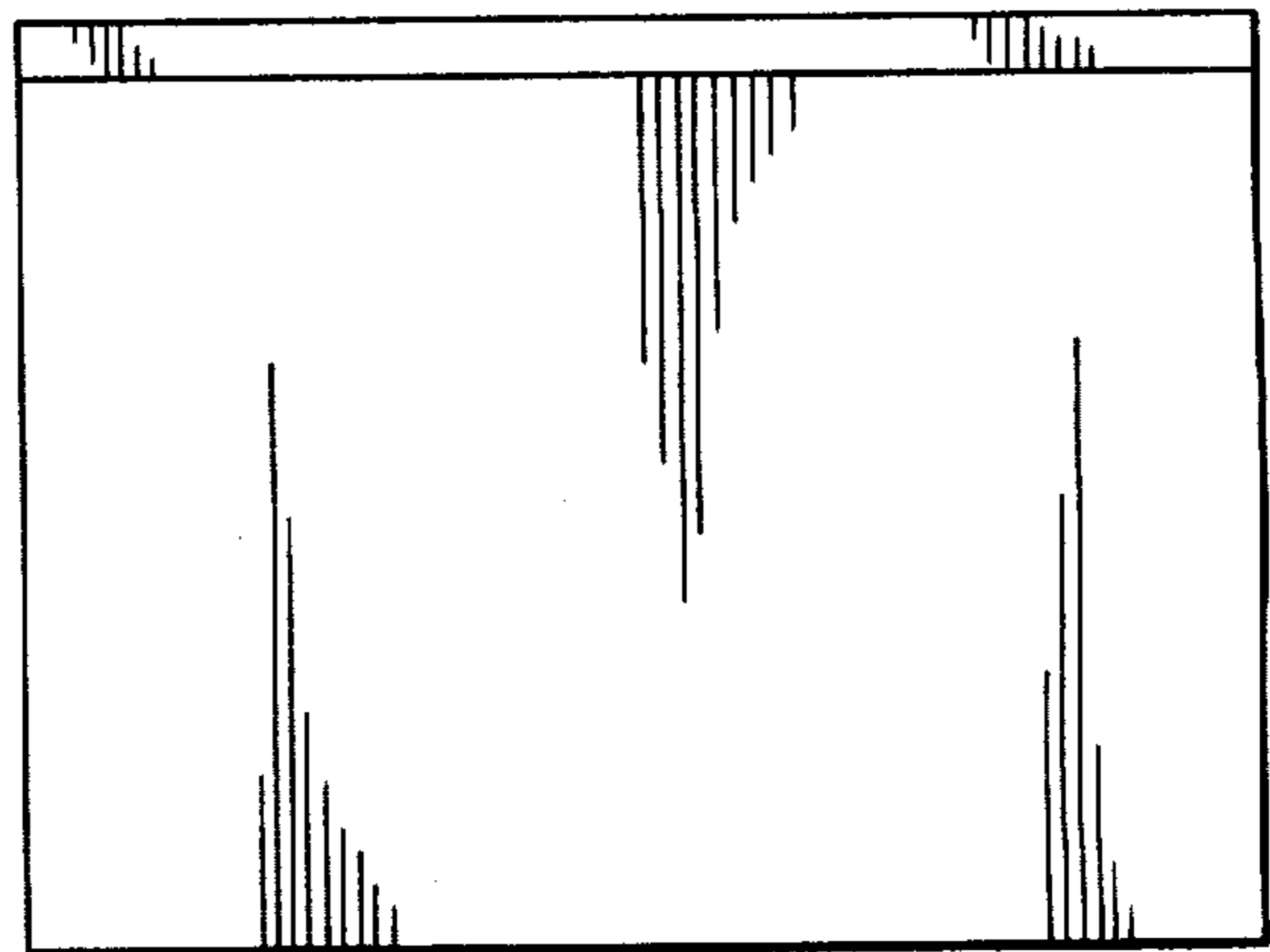


Fig. 4.

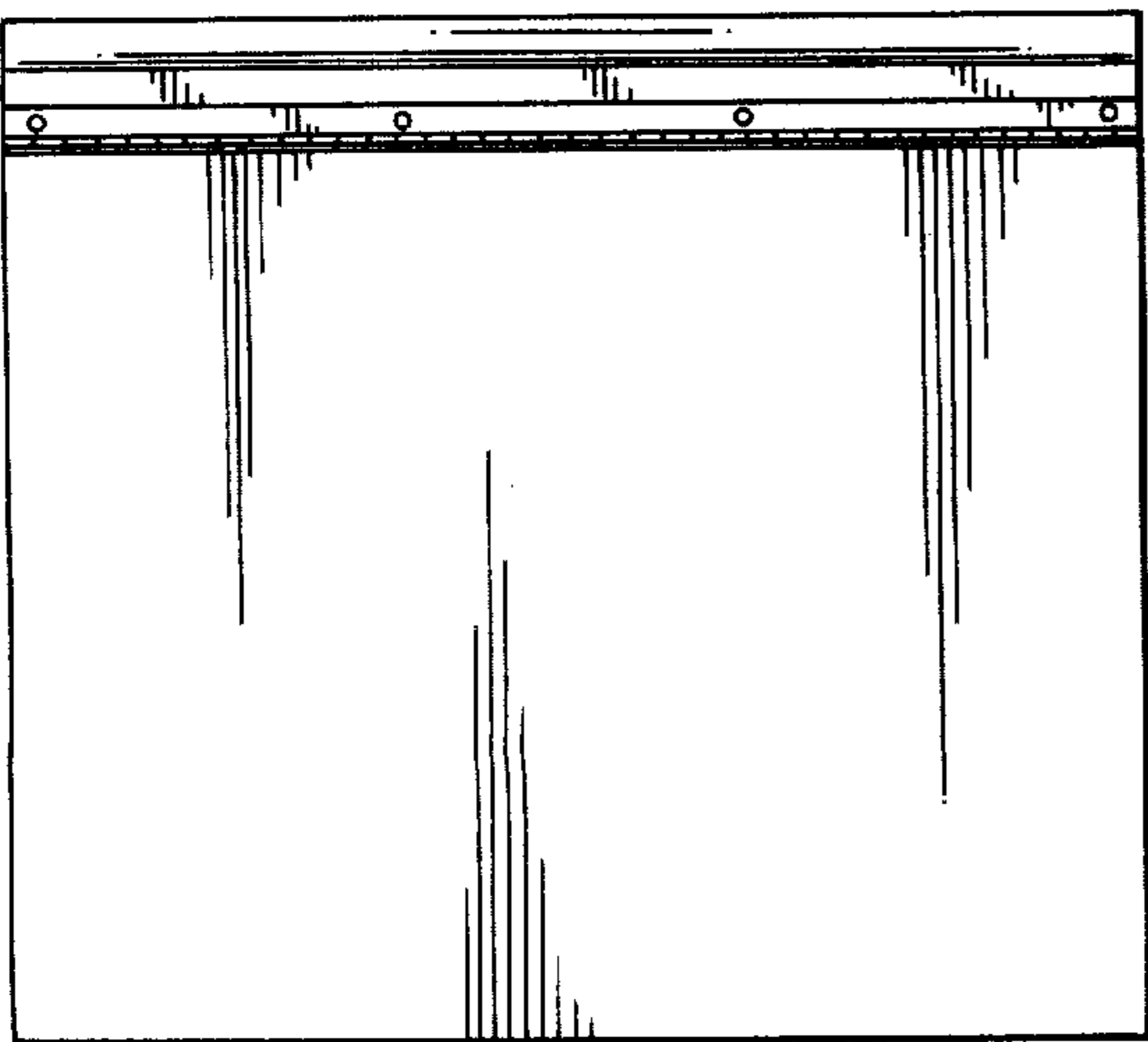


Fig. 5.

