

[54] MODIFIED OCTAHEDRAL SHELTER

[76] Inventor: Harry Vest, 1764 Northwest Blvd., Apt. C, Columbus, Ohio 43212

[\*\*] Term: 14 Years

[21] Appl. No.: 102,029

[22] Filed: Dec. 10, 1979

[51] Int. Cl. .... D25-03

[52] U.S. Cl. .... D25/23; D25/16; D25/56

[58] Field of Search ..... D25/1, 16, 32, 56, 22, D25/23, 18; 52/80, 82, 81, 2, 3, DIG. 10; 135/4 R, 1 R

[56] References Cited

U.S. PATENT DOCUMENTS

D. 190,276 5/1961 Miller ..... D25/56

D. 196,171 9/1963 Patterson ..... D25/56  
D. 209,739 1/1968 Hitchins ..... D25/23  
D. 233,745 11/1974 Sumner ..... D25/18  
3,230,673 1/1966 Gersin ..... D25/23 X  
3,759,277 9/1973 Glade ..... 135/4 R

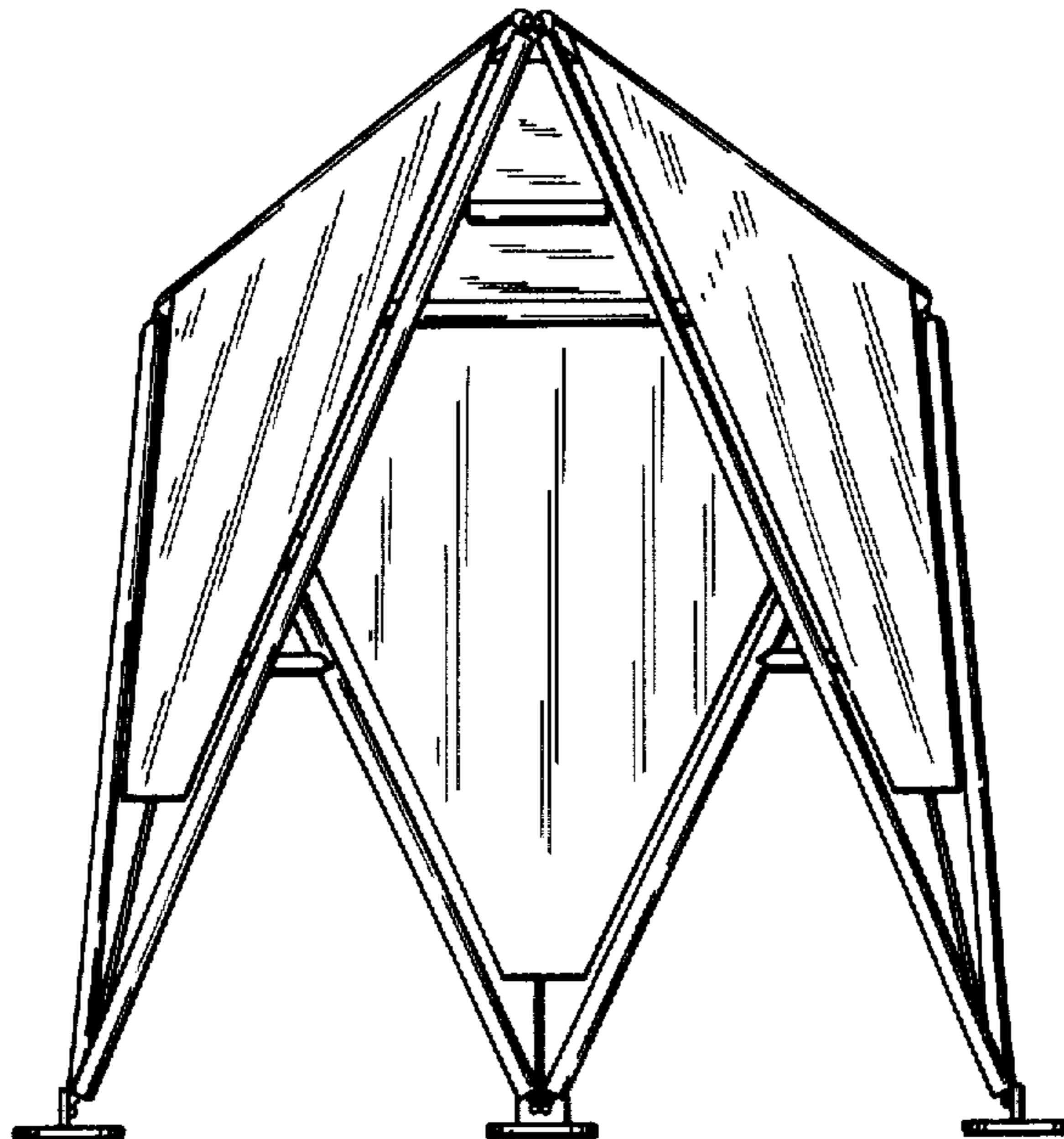
Primary Examiner—A. Hugo Word  
Attorney, Agent, or Firm—Richard D. Emch

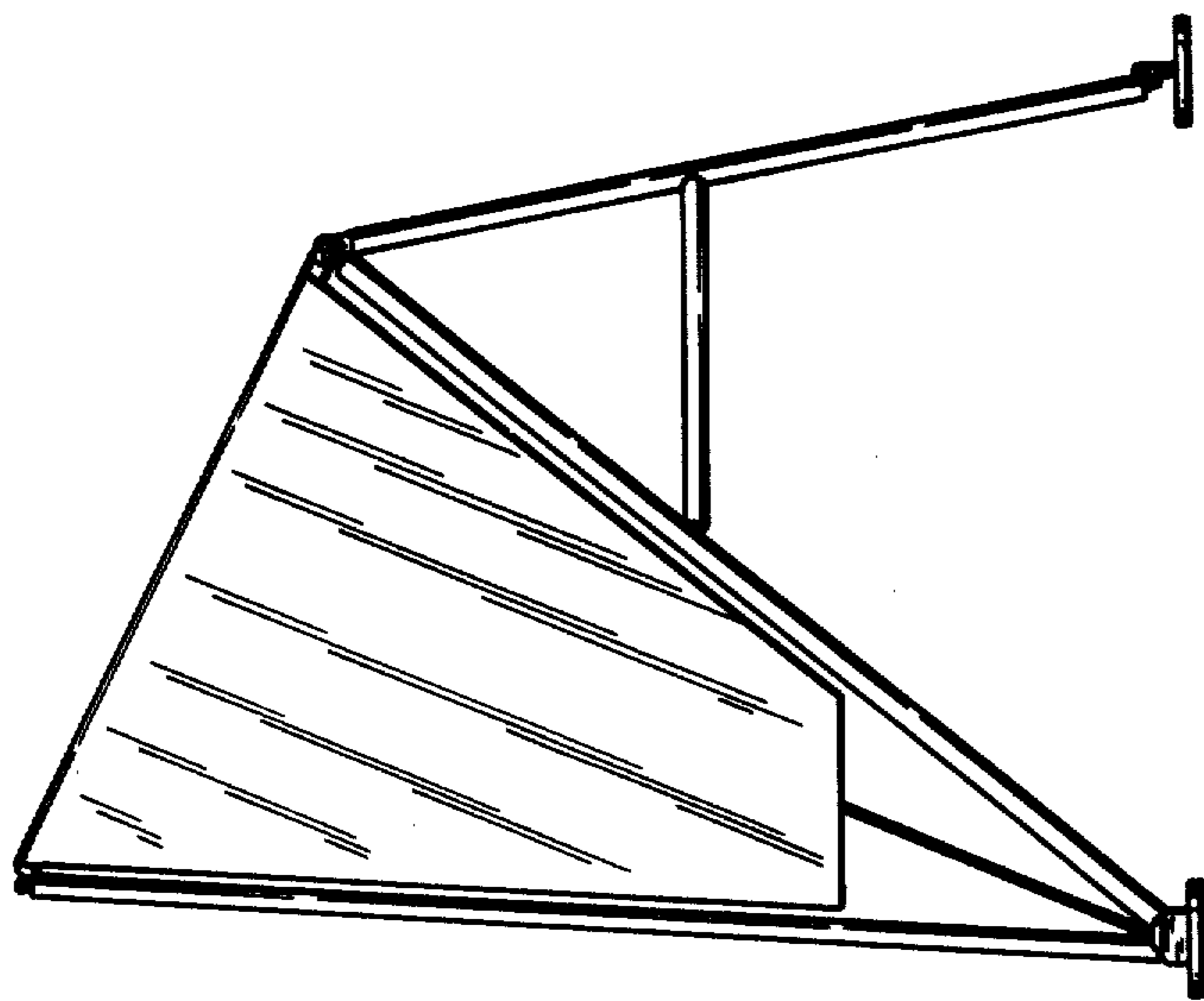
[57] CLAIM

The ornamental design for a modified octahedral shelter, as shown and described.

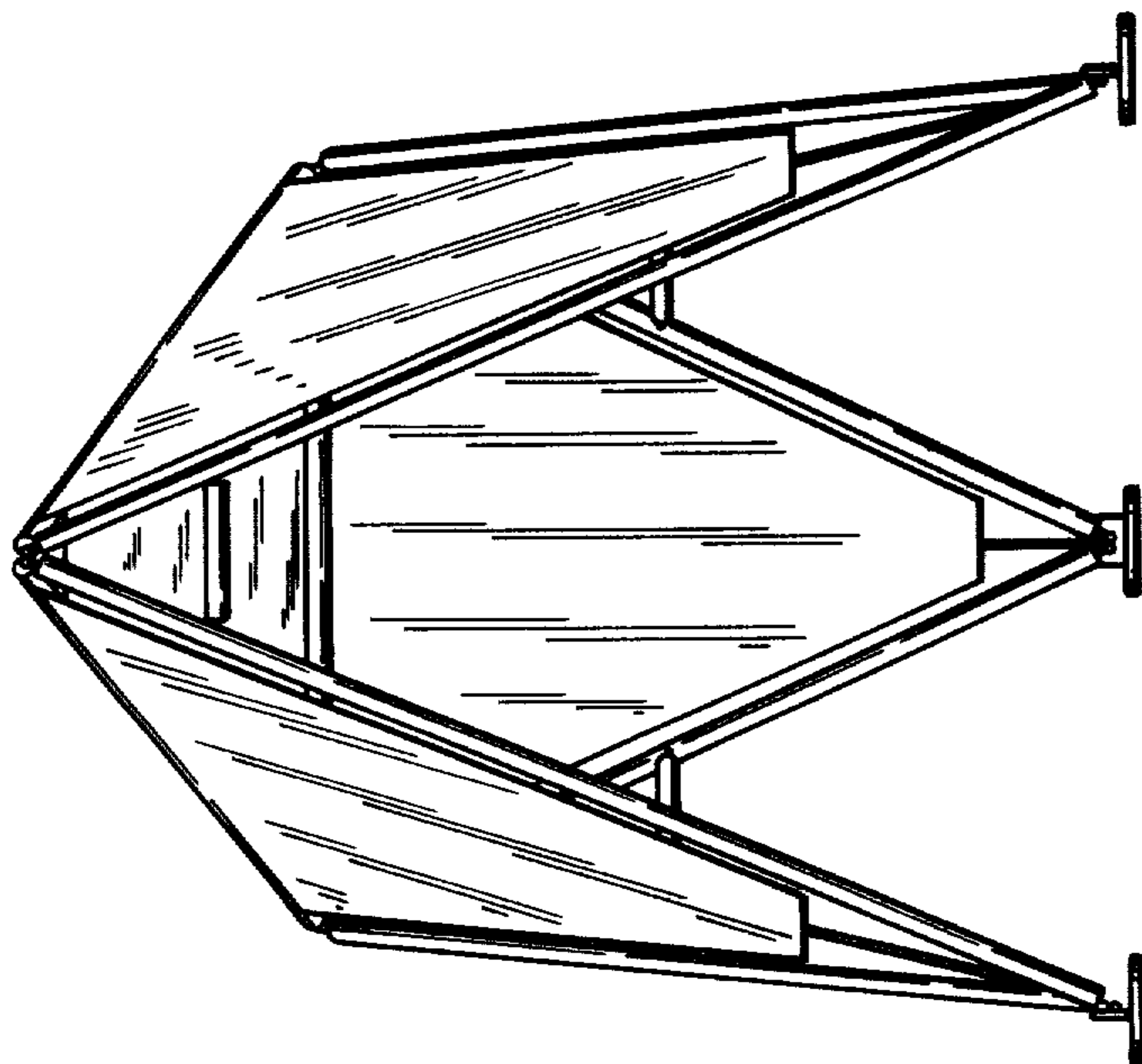
DESCRIPTION

FIG. 1 is an elevation view of a modified octahedral shelter showing the design;  
FIG. 2 is an elevation view one side of the modified octahedral shelter, the other side being identical;  
FIG. 3 is an elevation view of the modified octahedral shelter from the back;  
FIG. 4 is a top view of the modified octahedral shelter.

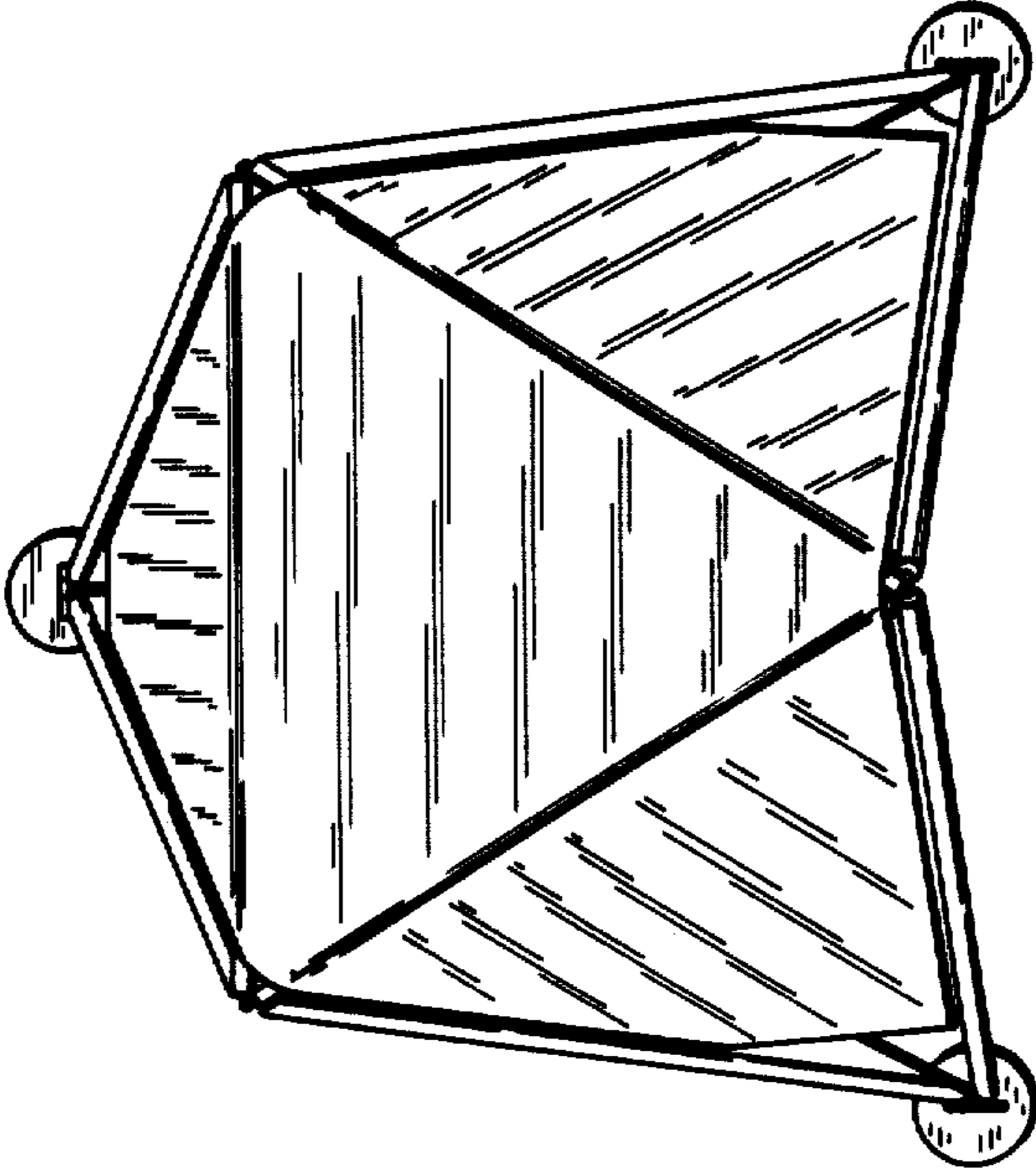




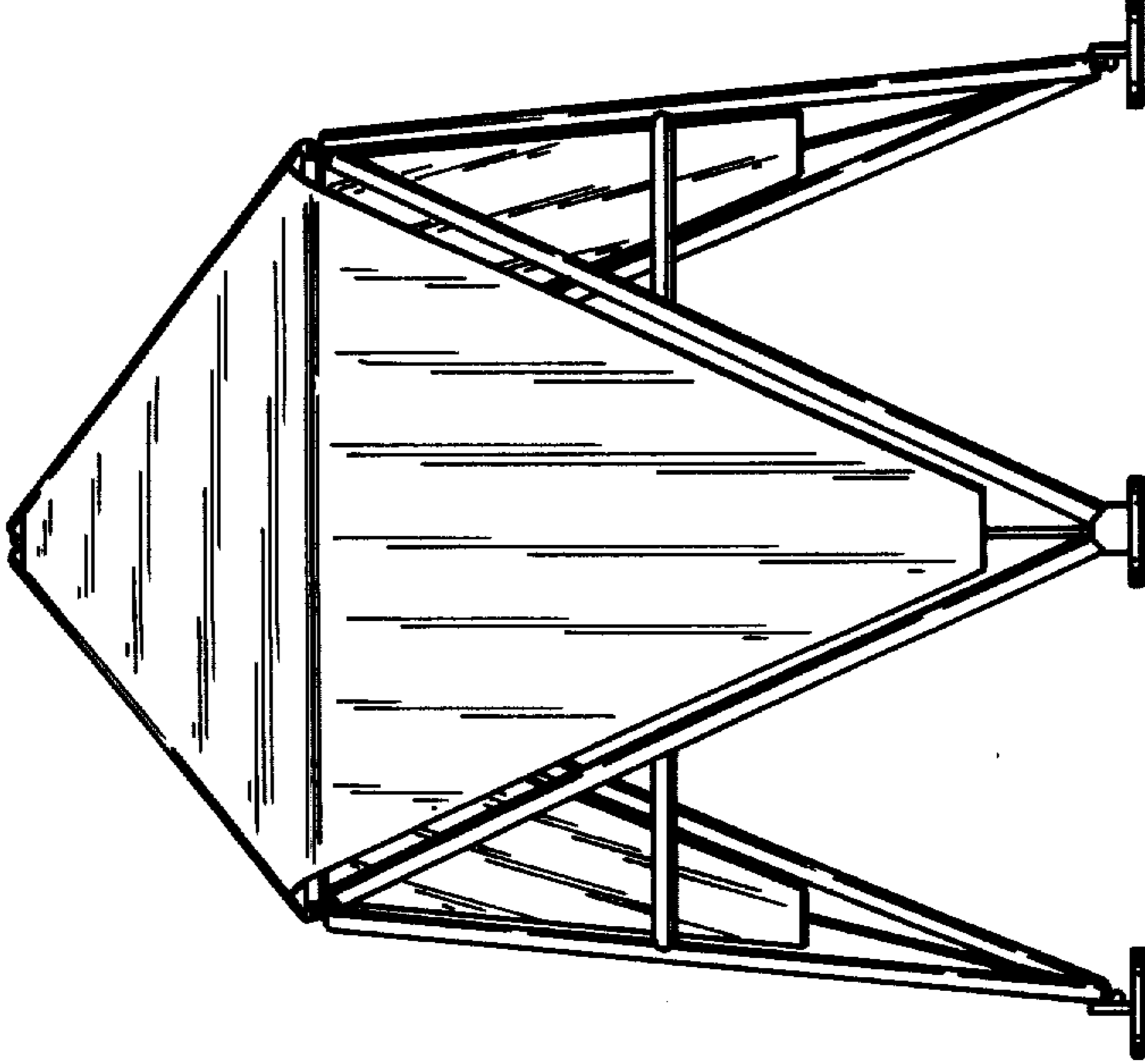
—FIG. 2



—FIG. 1



—FIG. 4



—FIG. 3