

[54] SOLAR COLLECTOR CELL CONTAINER AND ROOF FLASHING ASSEMBLY

[75] Inventor: Myron D. Mayerovitch, Yorba Linda, Calif.

[73] Assignee: Steve Frank Mayer, Yorba Linda, Calif.

[**] Term: 14 Years

[21] Appl. No.: 924,456

[22] Filed: Jul. 13, 1978

[51] Int. Cl. D23-03

[52] U.S. Cl. D23/72

[58] Field of Search D23/72, 127; 126/415-451

[56]

References Cited

U.S. PATENT DOCUMENTS

4,111,188 9/1978 Murphy, Jr. 126/446

Primary Examiner—Catherine E. Kemper
Attorney, Agent, or Firm—Fischer, Tachner, & Strauss

[57]

CLAIM

The ornamental design for a solar collector cell container and roof flashing assembly, as shown and described.

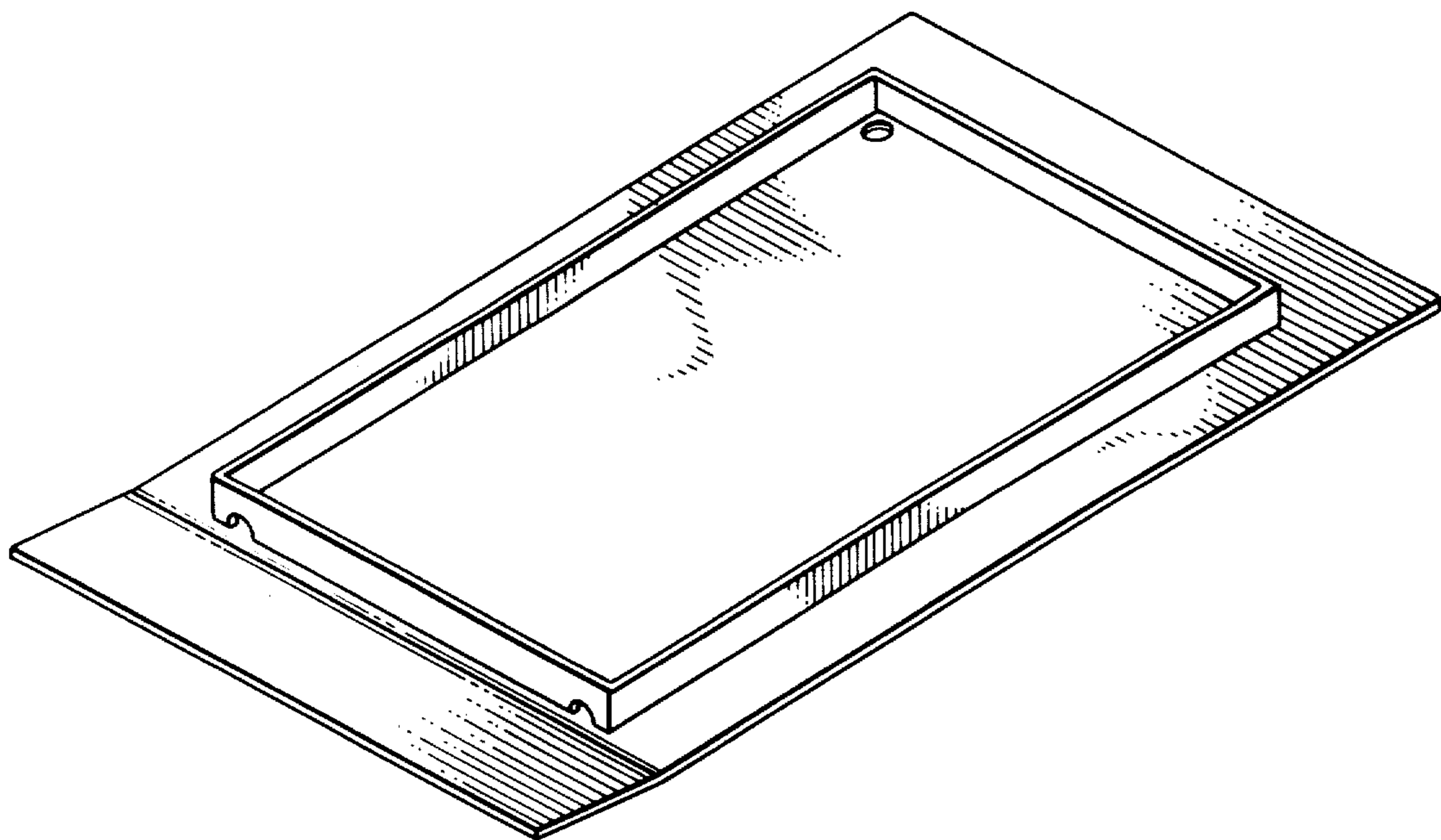
DESCRIPTION

FIG. 1 is an isometric view of a solar collector cell container and roof flashing assembly, showing my design;

FIG. 2 is a top plan view thereof;

FIG. 3 is a side elevational view, the opposite side being a mirror image thereof.

The bottom surface of the solar collector cell container and roof flashing assembly is substantially planar and unornamented.



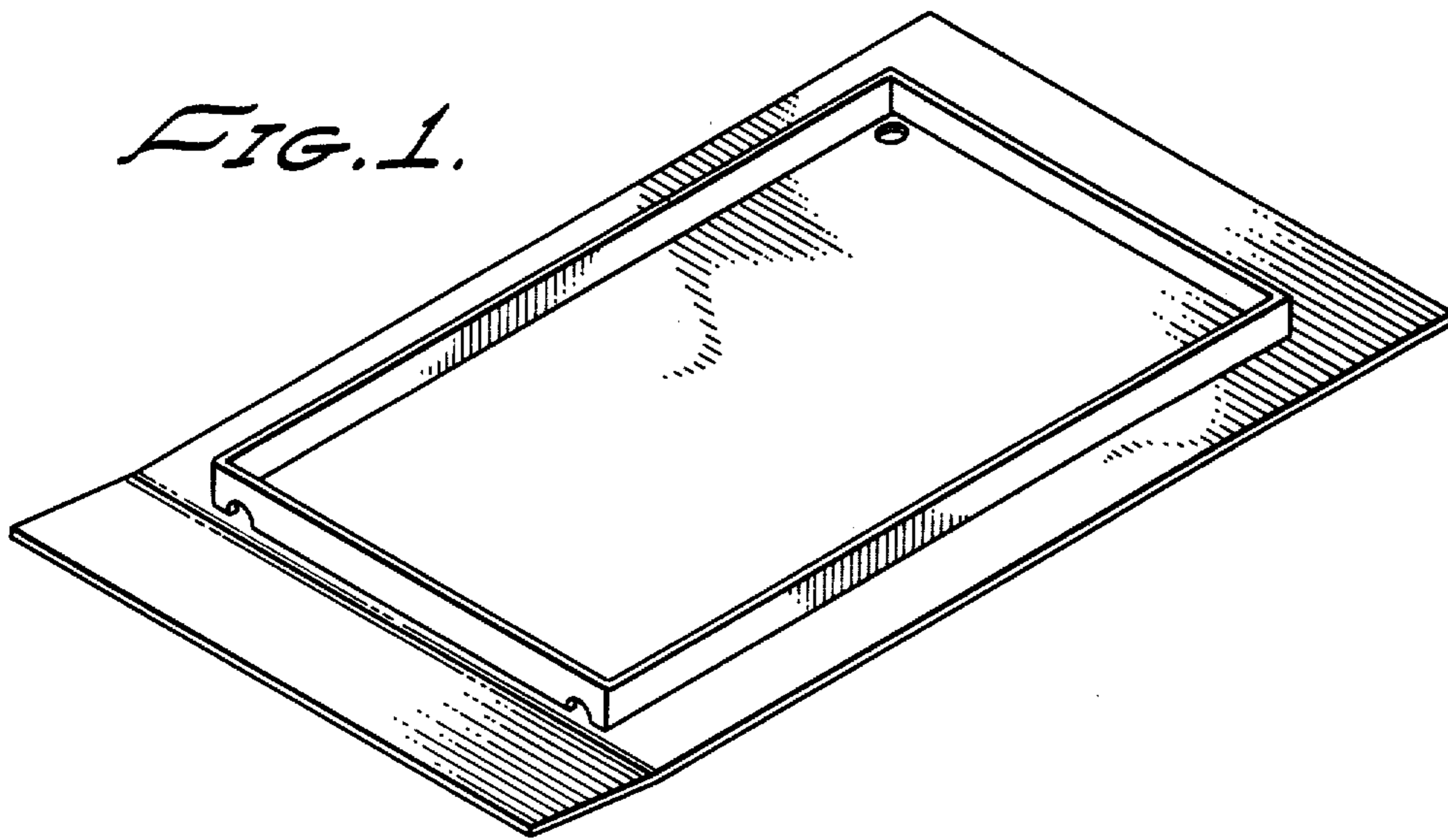


FIG. 2.

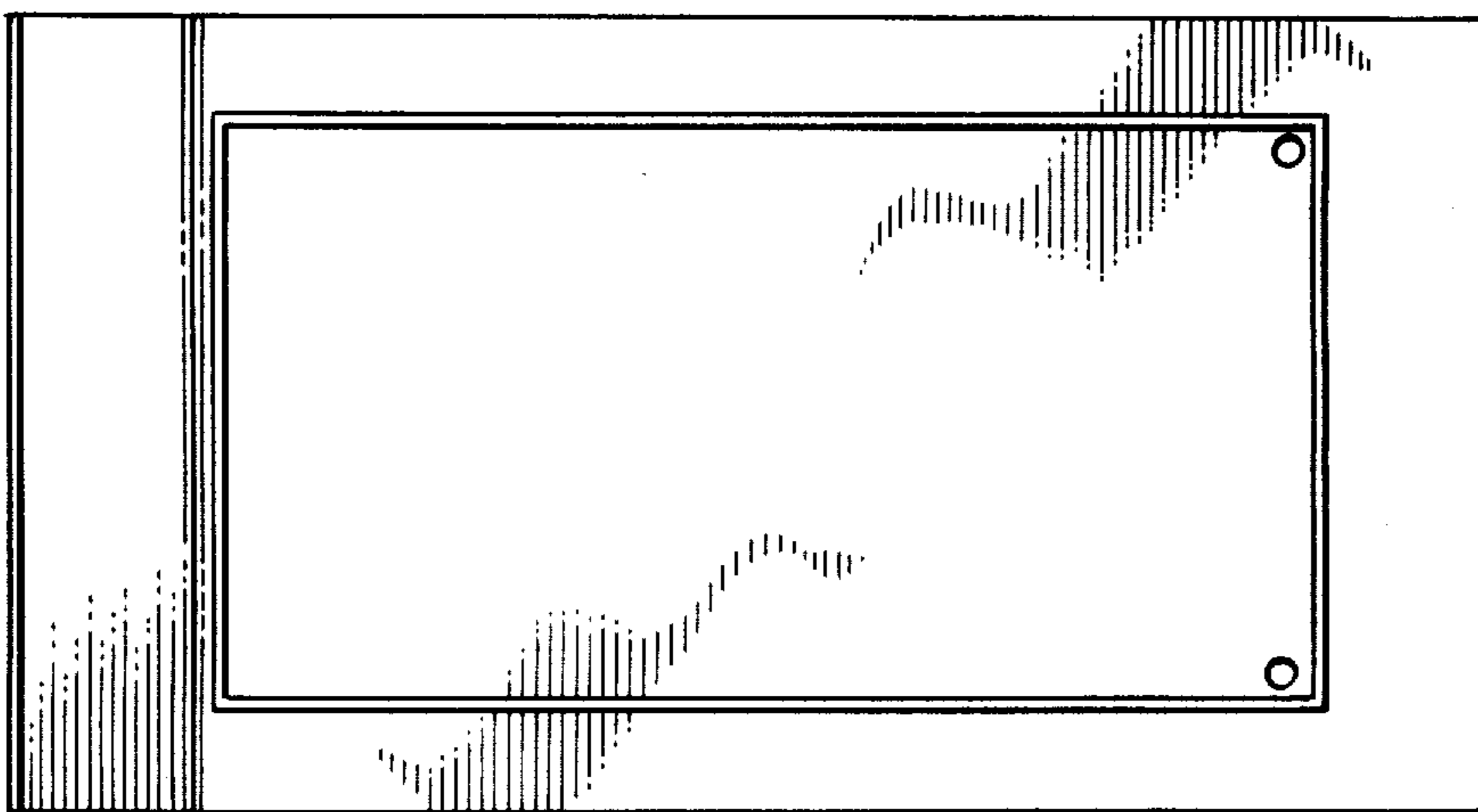


FIG. 3.

