

[54] LAVATORY OR SIMILAR ARTICLE

[75] Inventor: Dorothee Hiller, Stuttgart, Fed. Rep. of Germany

[73] Assignee: American Standard Inc., New York, N.Y.

[**] Term: 14 Years

[21] Appl. No.: 65,674

[22] Filed: Aug. 10, 1979

[30] Foreign Application Priority Data
 Mar. 26, 1979 [DE] Fed. Rep. of Germany 20 MR 1848

[51] Int. Cl. D23-02

[52] U.S. Cl. D23/53

[58] Field of Search D23/58-64;
 4/619, 639, 640

[56] References Cited

U.S. PATENT DOCUMENTS

D. 36,595	10/1903	Peet	D23/62
D. 191,391	9/1961	Phillips	D23/58
D. 202,410	9/1965	Sunberg et al.	D23/58
D. 220,396	4/1971	Skyhawk	D23/58
D. 231,987	7/1974	Bonsack	D23/62

D. 236,831 9/1975 Meyers D23/58

OTHER PUBLICATIONS

American Builder, Oct. 1959, p. 171, "Crescent" item.
 American Standard Co. Catalog, p. 2-41 (4/80) "Ellisse Pedestal Lavatory" item.

Primary Examiner—James R. Largen
 Attorney, Agent, or Firm—James J. Salerno, Jr.; Robert G. Crooks

[57] CLAIM

The ornamental design for a lavatory or similar article, substantially as shown and described.

DESCRIPTION

FIG. 1 is a perspective view taken from the top and front of a lavator embodying my new design;
 FIG. 2 is a top plan view thereof;
 FIG. 3 is a front elevational view thereof; and
 FIG. 4 is a right side elevational view thereof, the left side being a mirror image of the right side shown;
 FIG. 5 is a perspective view of another form of the lavatory of FIG. 1 as viewed from the top;
 FIG. 6 is a top plan view of lavatory of FIG. 5;
 FIG. 7 is a front elevational view thereof; and
 FIG. 8 is a side elevational view of the lavatory of FIG. 5 as viewed from either side thereof.

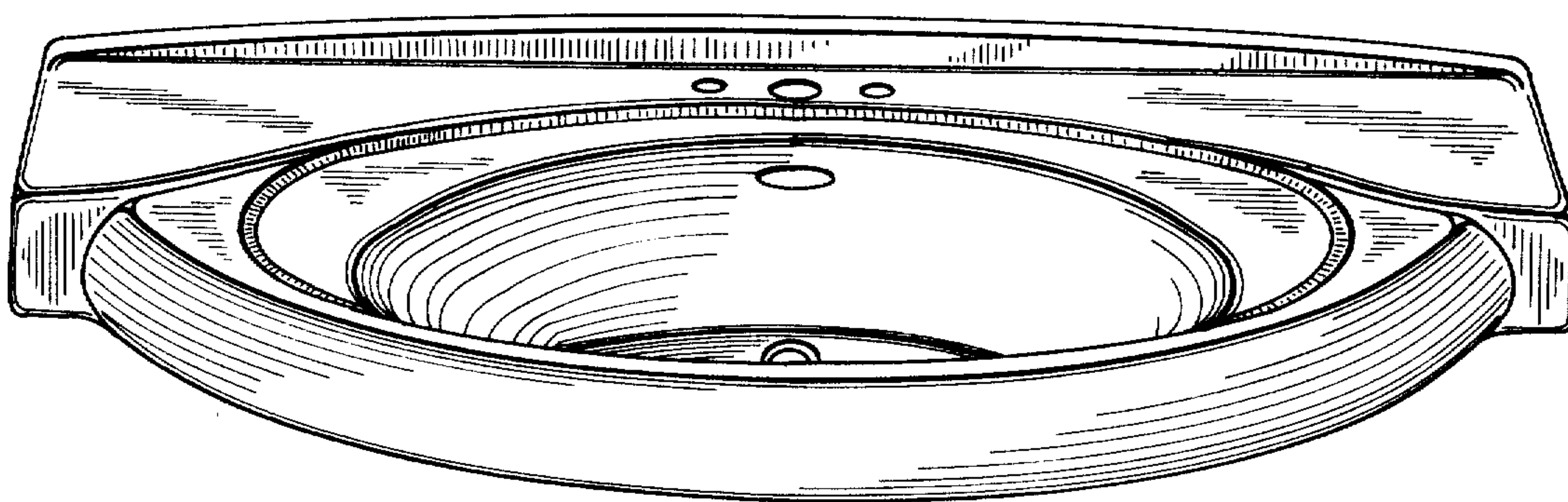


FIG. 1

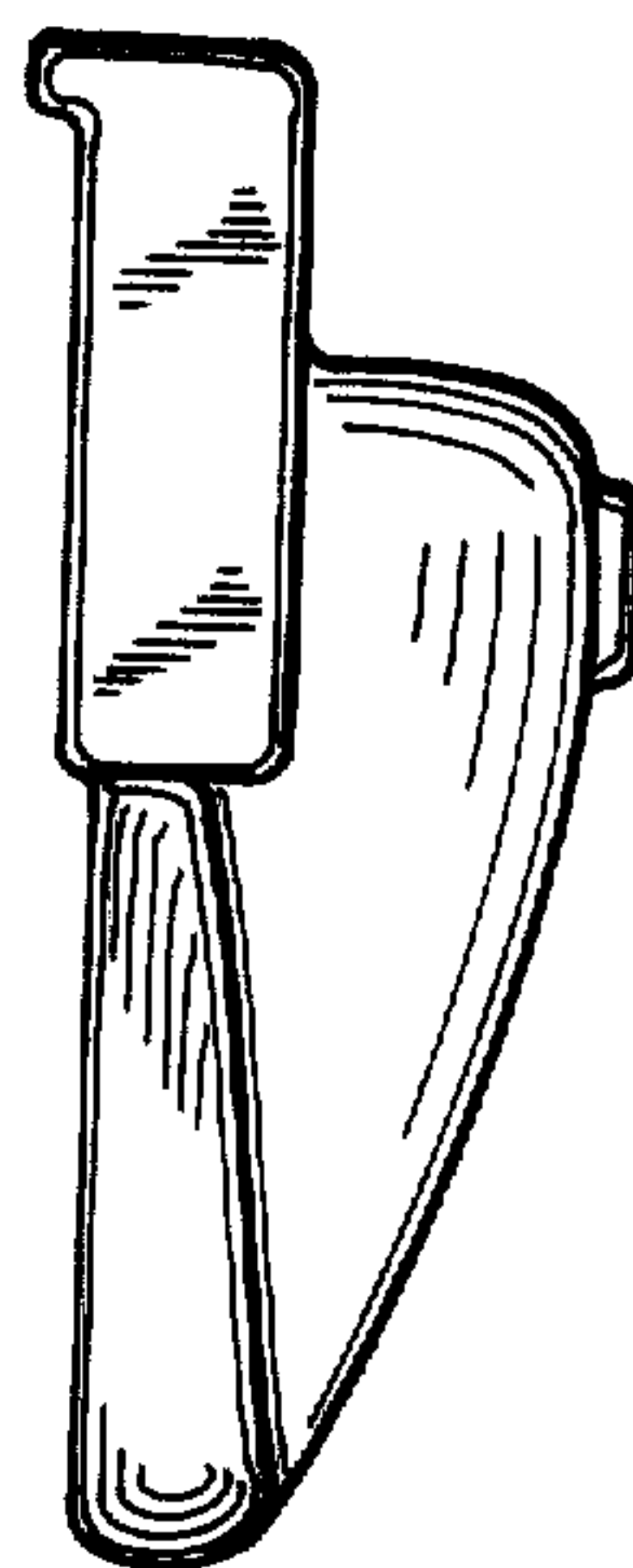
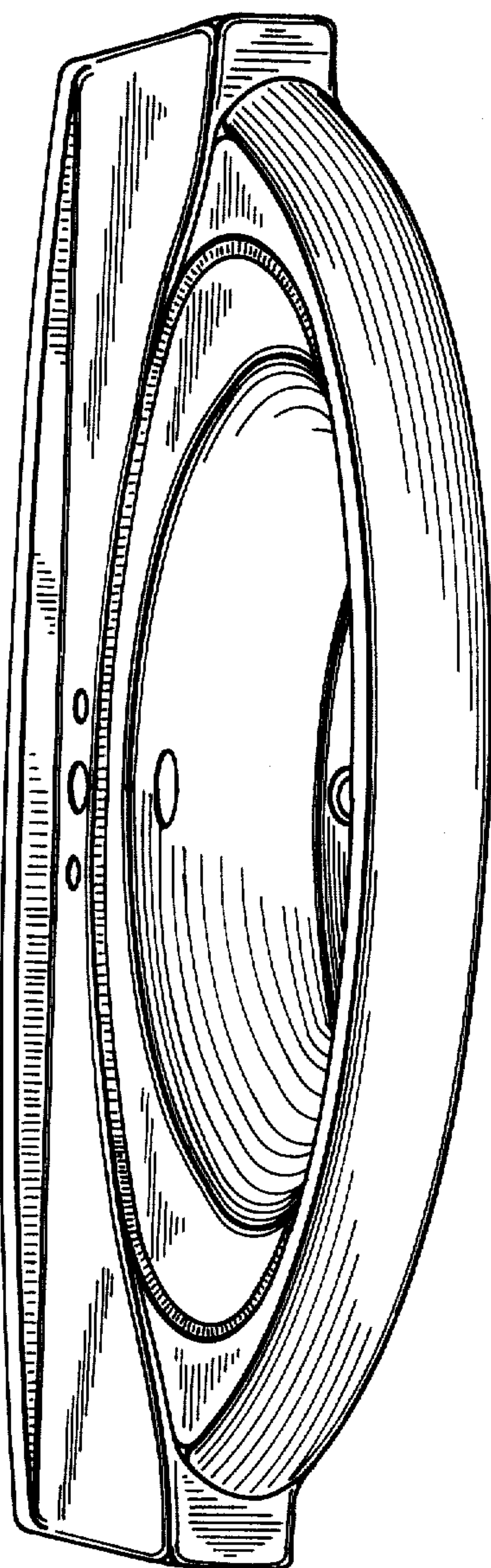


FIG. 4

FIG. 2

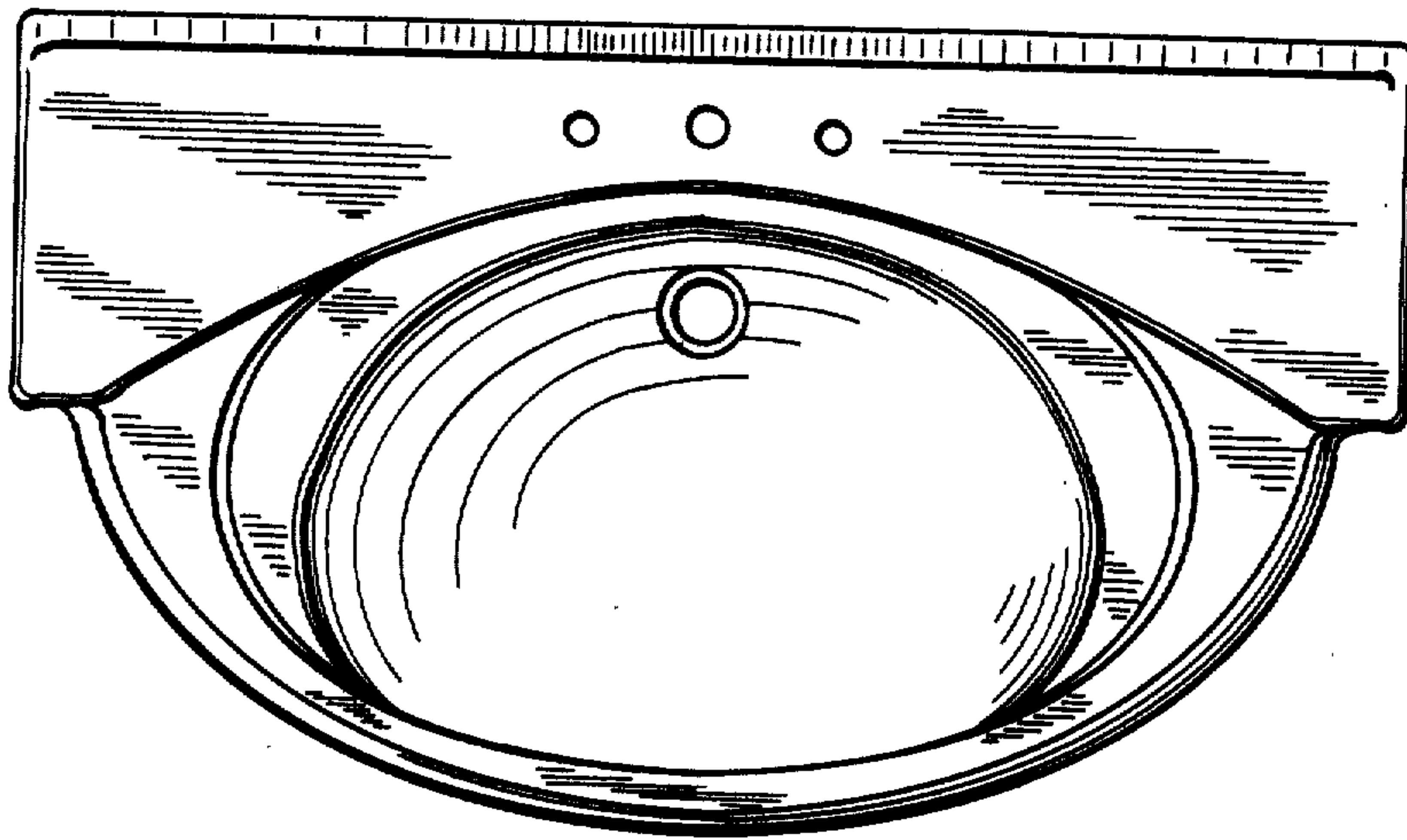


FIG. 3

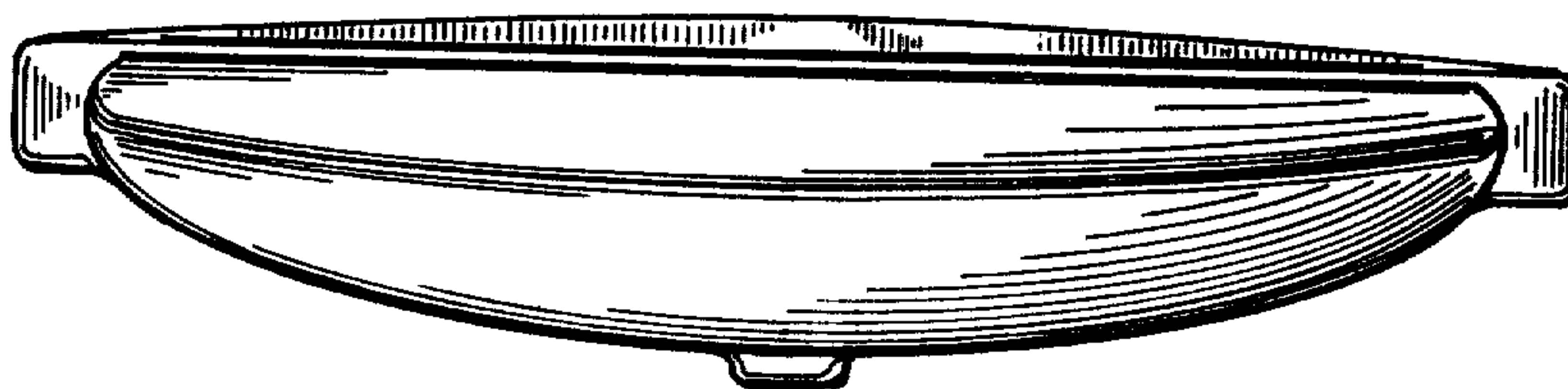


FIG. 5

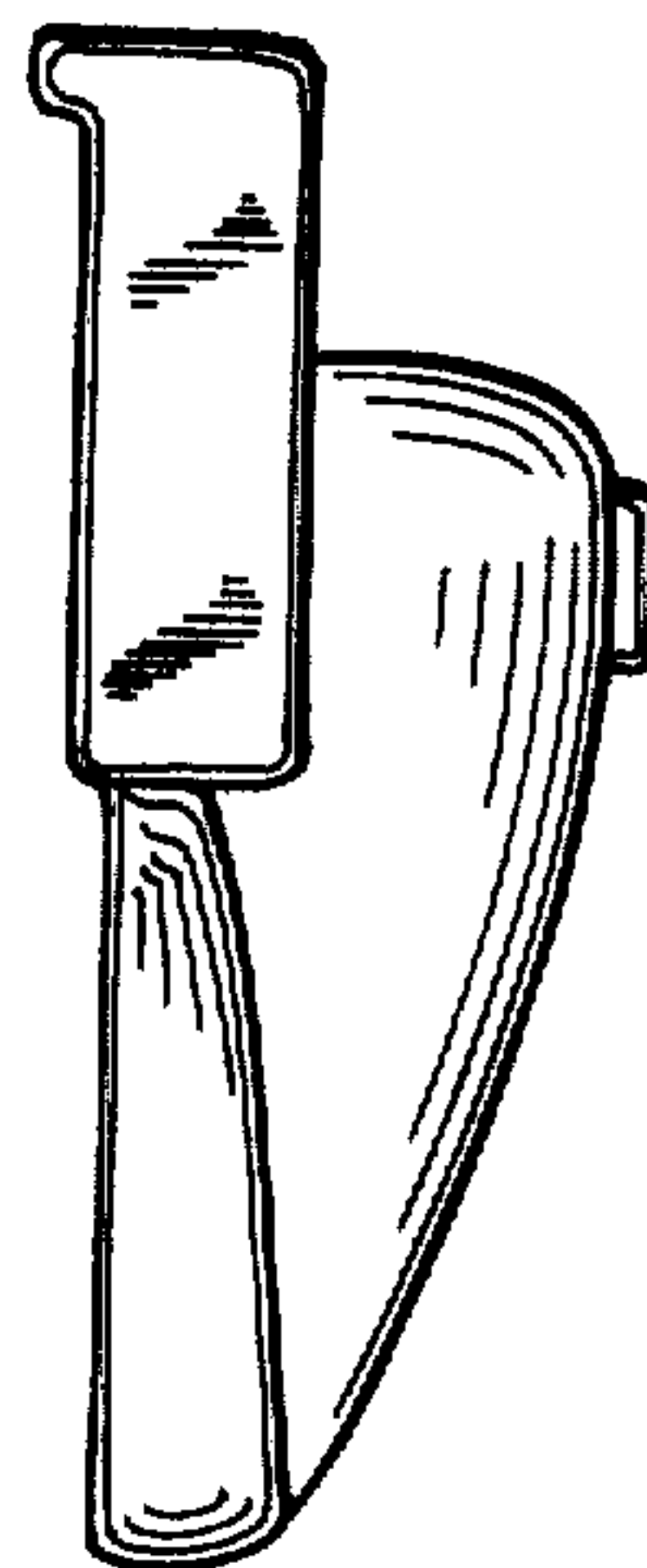
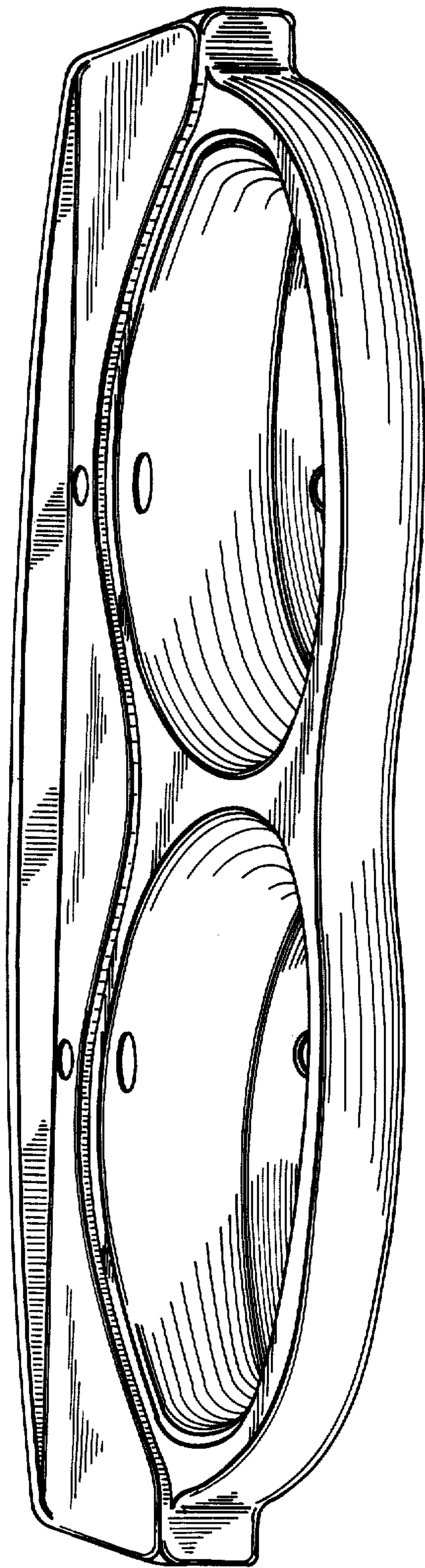


FIG. 8

FIG. 6

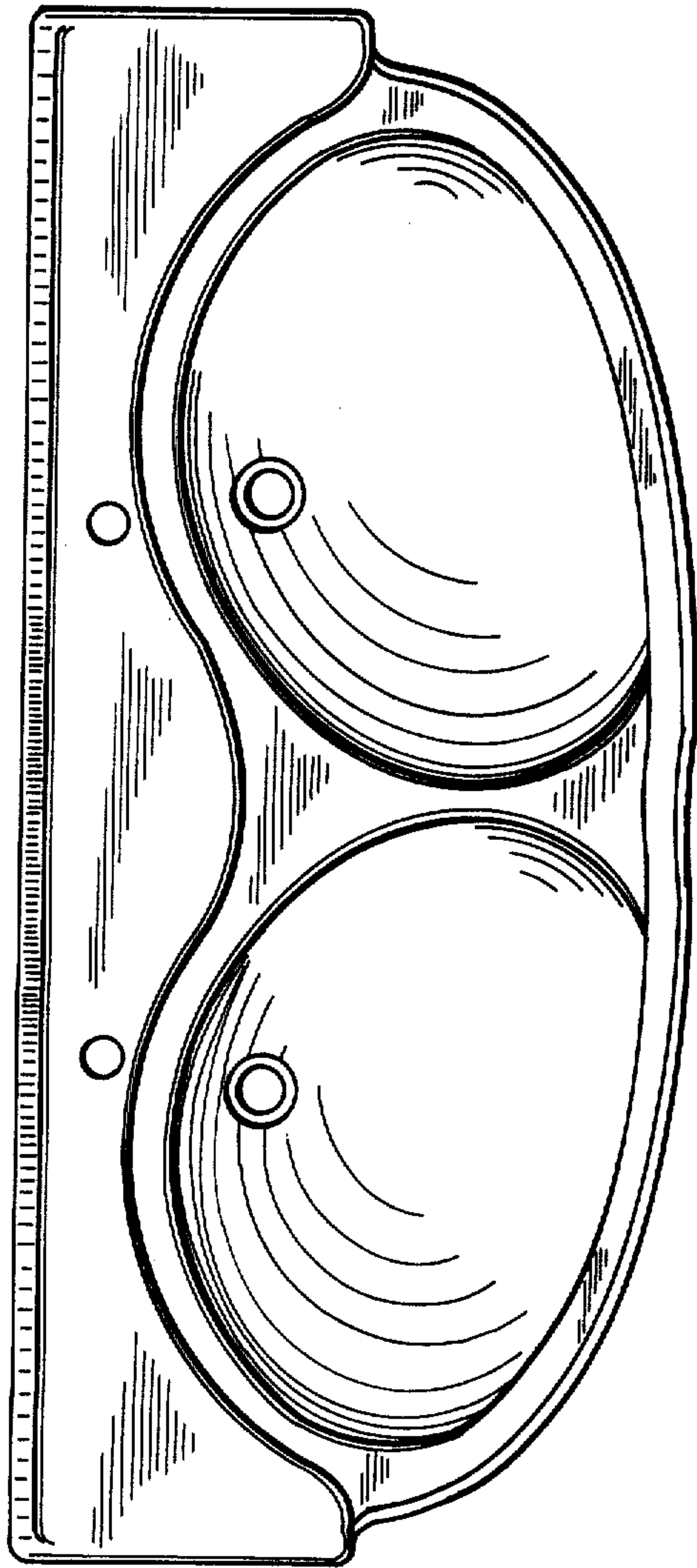
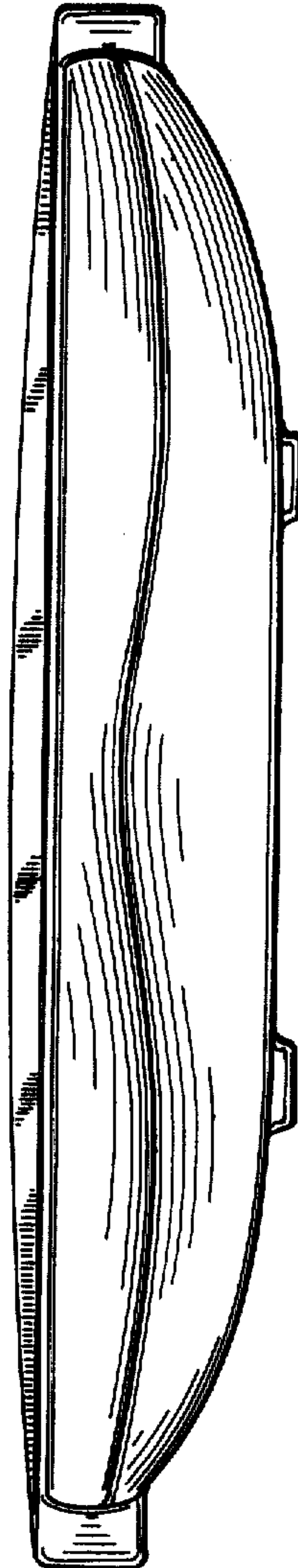


FIG. 7



UNITED STATES PATENT AND TRADEMARK OFFICE
CERTIFICATE OF CORRECTION

PATENT NO. : Des. 260,678
DATED : September 8, 1981
INVENTOR(S) : Dorothee Hiller

It is certified that error appears in the above-identified patent and that said Letters Patent is hereby corrected as shown below:

In the drawings, the sheets of drawings consisting of Figures 5 through 8 should be omitted.

On the title page, the description of Figures 5 through 8 should be omitted.

Signed and Sealed this
Eighth Day of March 1983

[SEAL]

Attest:

Attesting Officer

GERALD J. MOSSINGHOFF

Commissioner of Patents and Trademarks