

[54] BASE PLATE FOR FAUCET

[75] Inventor: Gilles Thevenot, Baden-Baden, Fed. Rep. of Germany

[73] Assignee: Friedrich Grohe Armaturenfabrik, Hemer, Fed. Rep. of Germany

[**] Term: 14 Years

[21] Appl. No.: 59,510

[22] Filed: Jul. 23, 1979

[30] Foreign Application Priority Data

Jan. 24, 1979 [DE] Fed. Rep. of Germany MR 6903

[51] Int. Cl. D23-01

[52] U.S. Cl. D23/32

[58] Field of Search D23/23-33; 4/191, 192, 193

[56] References Cited

U.S. PATENT DOCUMENTS

- D. 141,349 5/1945 Stanitz D23/26
- D. 157,018 1/1950 Young D23/32
- D. 182,867 5/1958 Young D23/32

- D. 207,044 2/1967 Hurwitz D23/27
- D. 229,495 12/1973 Landell D23/32
- D. 235,546 6/1975 Landell D23/32
- 3,010,474 11/1961 Moen 4/192 X
- 3,035,612 5/1962 Lyon D23/23 X
- 3,349,797 10/1967 Parr 4/192 X
- 3,427,049 2/1969 Politz 4/192 X

OTHER PUBLICATIONS

Delta Faucet Co., Form D-275, ©1976, p. 5, Model 100.

Primary Examiner—James R. Largen
Attorney, Agent, or Firm—James B. Raden; Donald J. Lenkszus

[57] CLAIM

The ornamental design for a base plate for faucet, substantially as shown and described.

DESCRIPTION

FIG. 1 is a front perspective view of a base plate for faucet showing my new design;
FIG. 2 is a front view thereof;
FIG. 3 is a side view thereof;
FIG. 4 is a bottom view thereof.

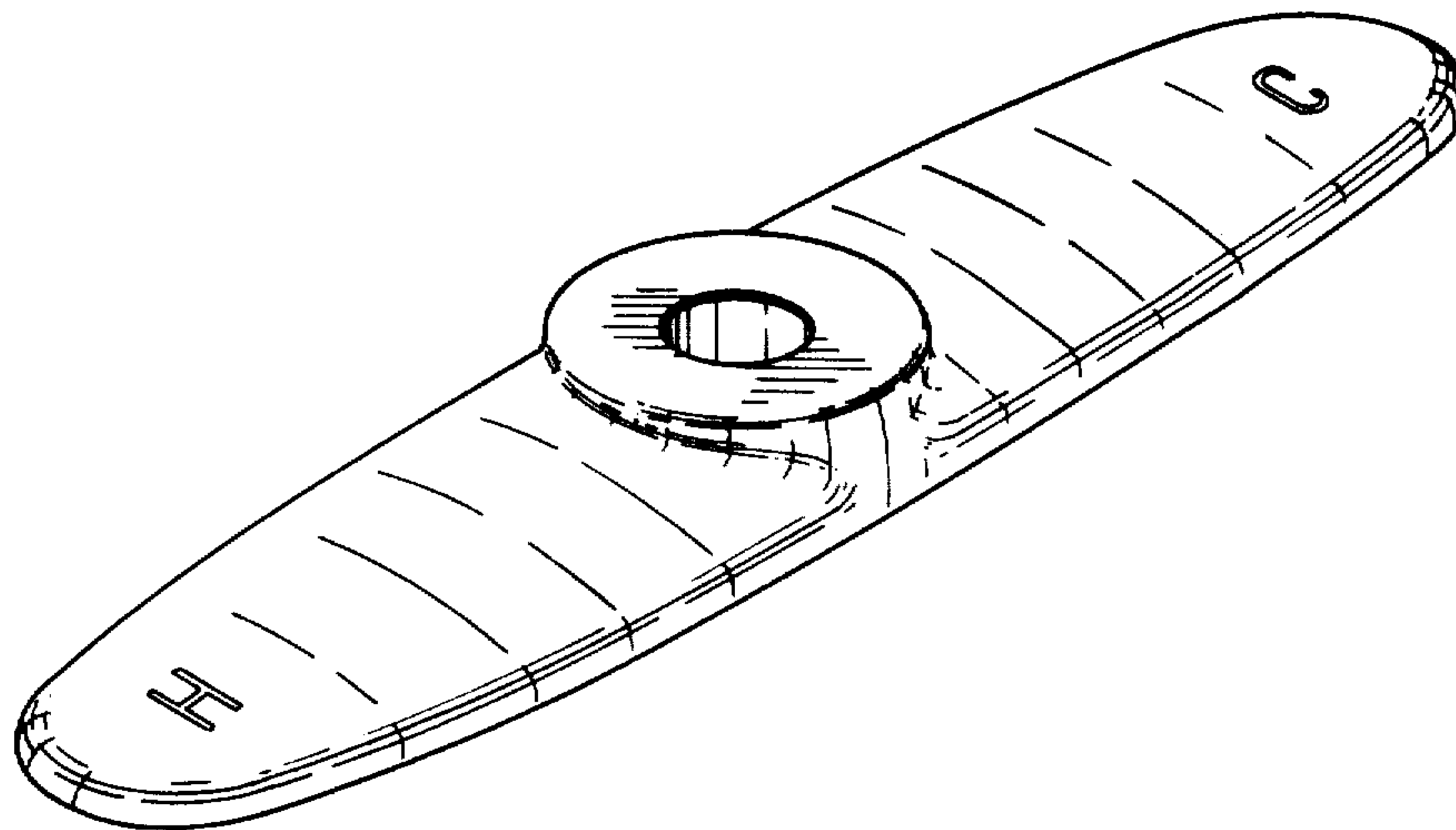


Fig. 1.

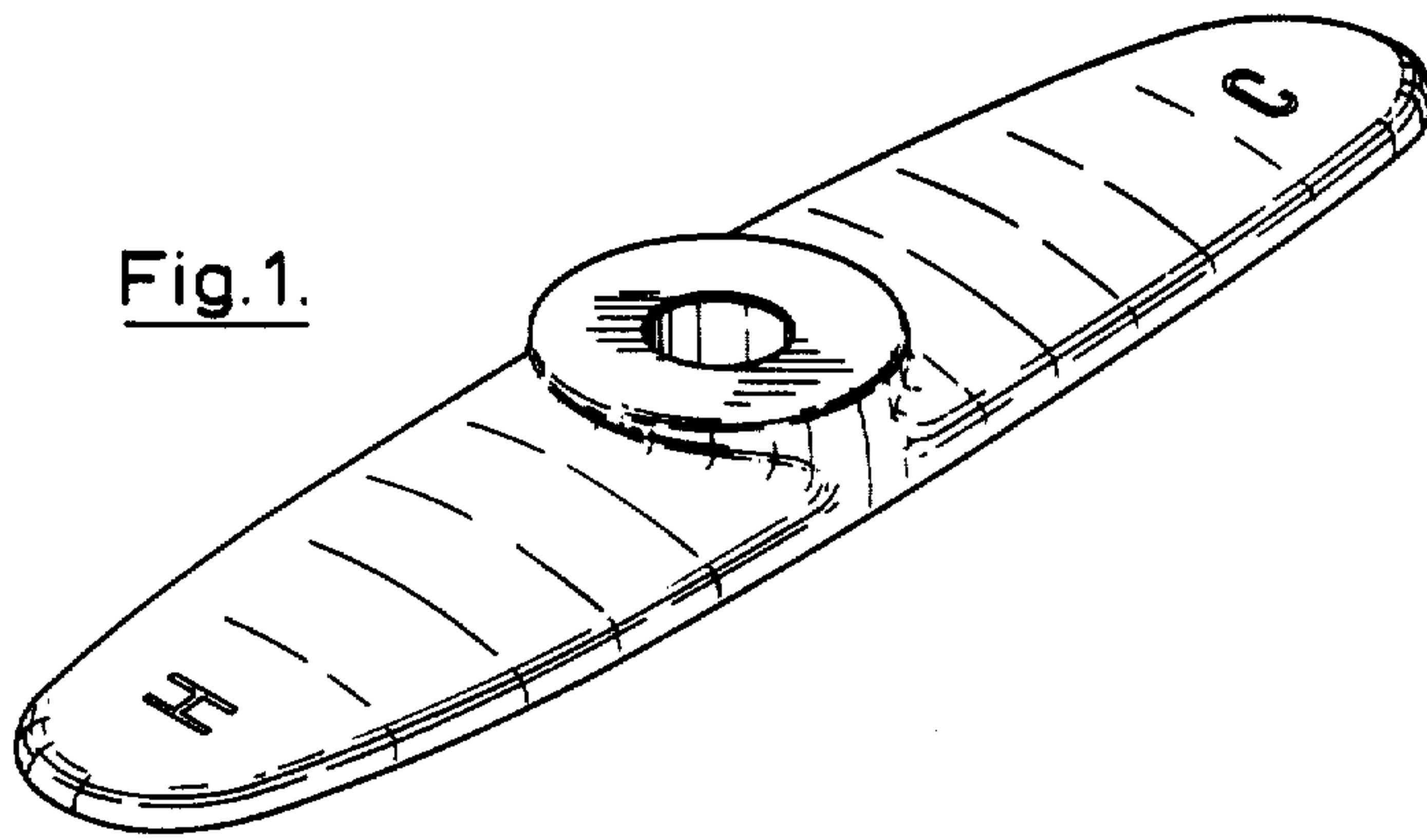


Fig. 2.



Fig. 3.

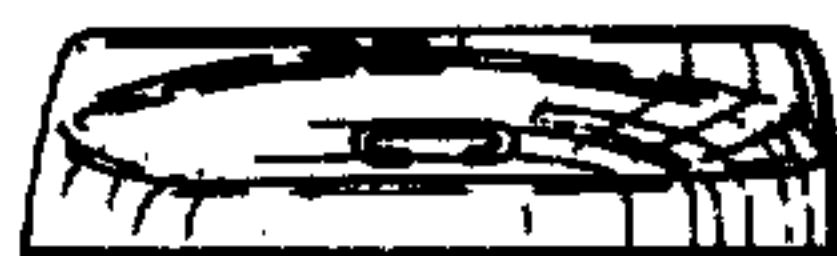


Fig. 4.

