

[54] ARCHER'S BOW HOLDER

[76] Inventors: **Bruce D. Simmons**, Rte. 7, Box 383;
William A. Sircy, Rte. 7, Clark St.,
both of Franklin, Ky. 42134

[**] Term: **14 Years**

[21] Appl. No.: **103,553**

[22] Filed: **Dec. 13, 1979**

[51] Int. Cl. **D22-05**
[52] U.S. Cl. **D22/13; D22/5**
[58] Field of Search 124/23, 25, 41 R, 88;
224/916, 46 R, 45 R; D22/5, 13; 248/520, 515,
538, 540; 211/60 R

[56]

References Cited

U.S. PATENT DOCUMENTS

3,221,957 12/1965 Roloff et al. 224/46 R
3,640,494 2/1972 Ruter 248/515
3,669,390 6/1972 Nielson 248/538 X

Primary Examiner—A. Hugo Word

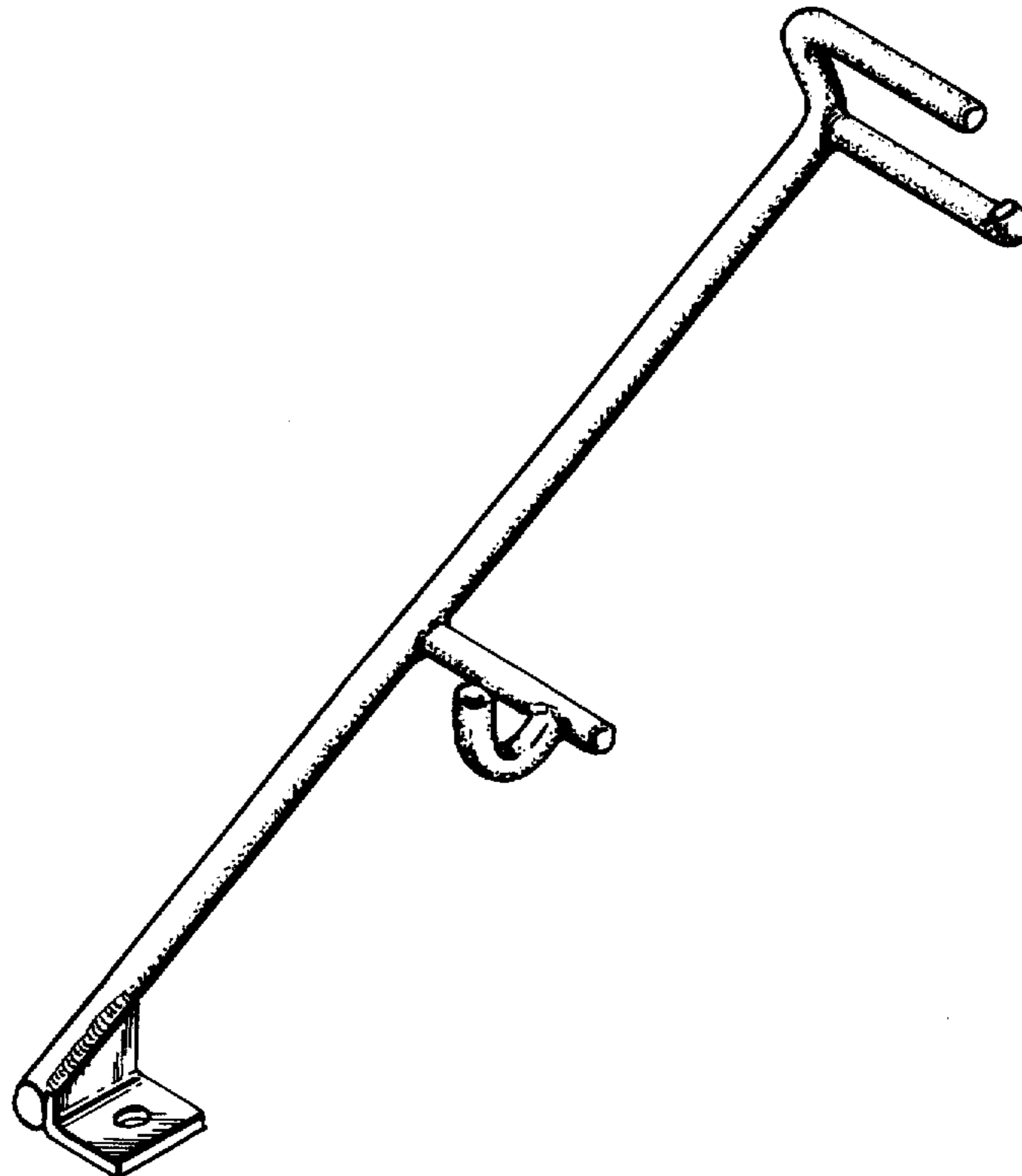
[57]

CLAIM

The ornamental design for an archer's bow holder, substantially as shown.

DESCRIPTION

FIG. 1 is a perspective view of an archer's bow holder embodying our new design;
FIG. 2 is a left side elevational view thereof;
FIG. 3 is a top plan view thereof;
FIG. 4 is a right side elevational thereof;
FIG. 5 is a front elevational view thereof;
FIG. 6 is a rear elevational view thereof; and
FIG. 7 is a bottom plan view thereof.



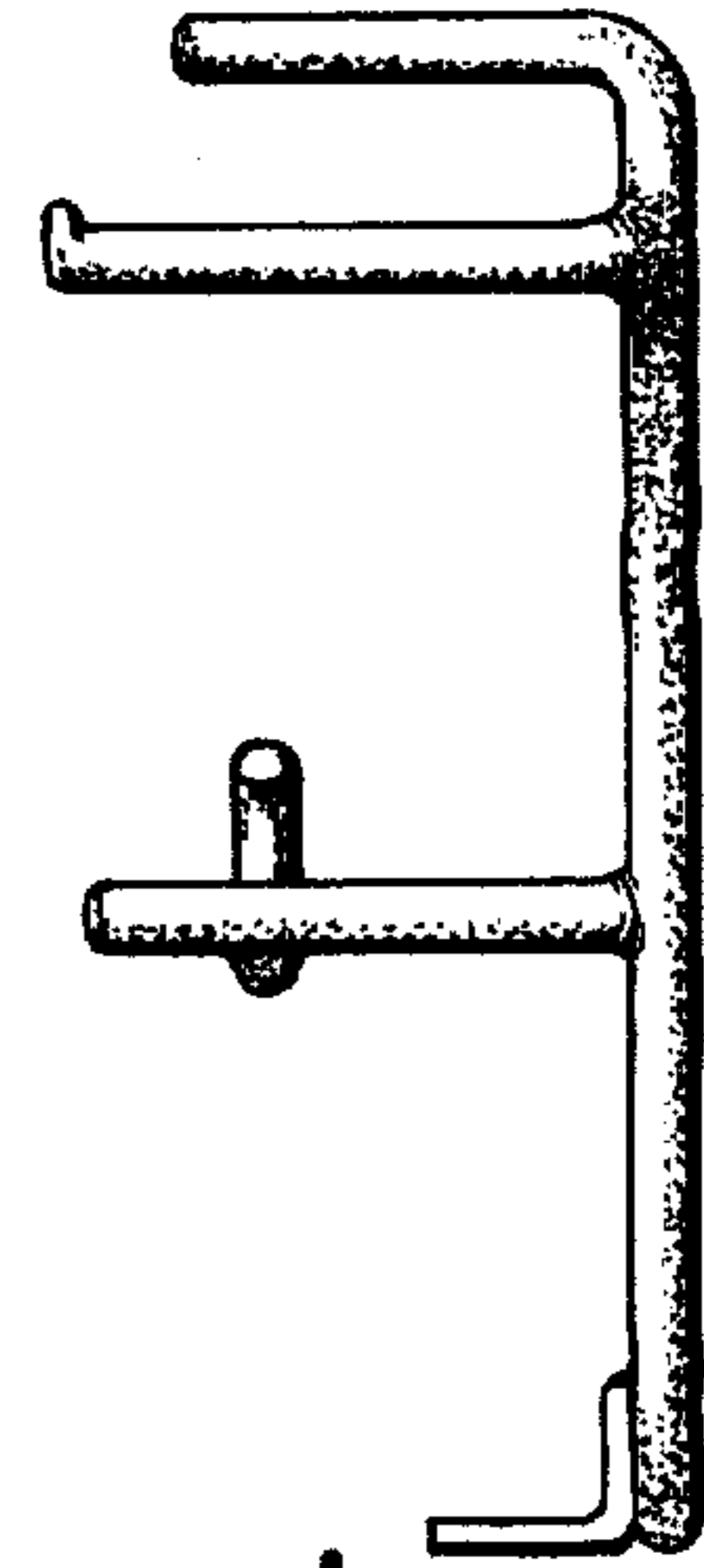
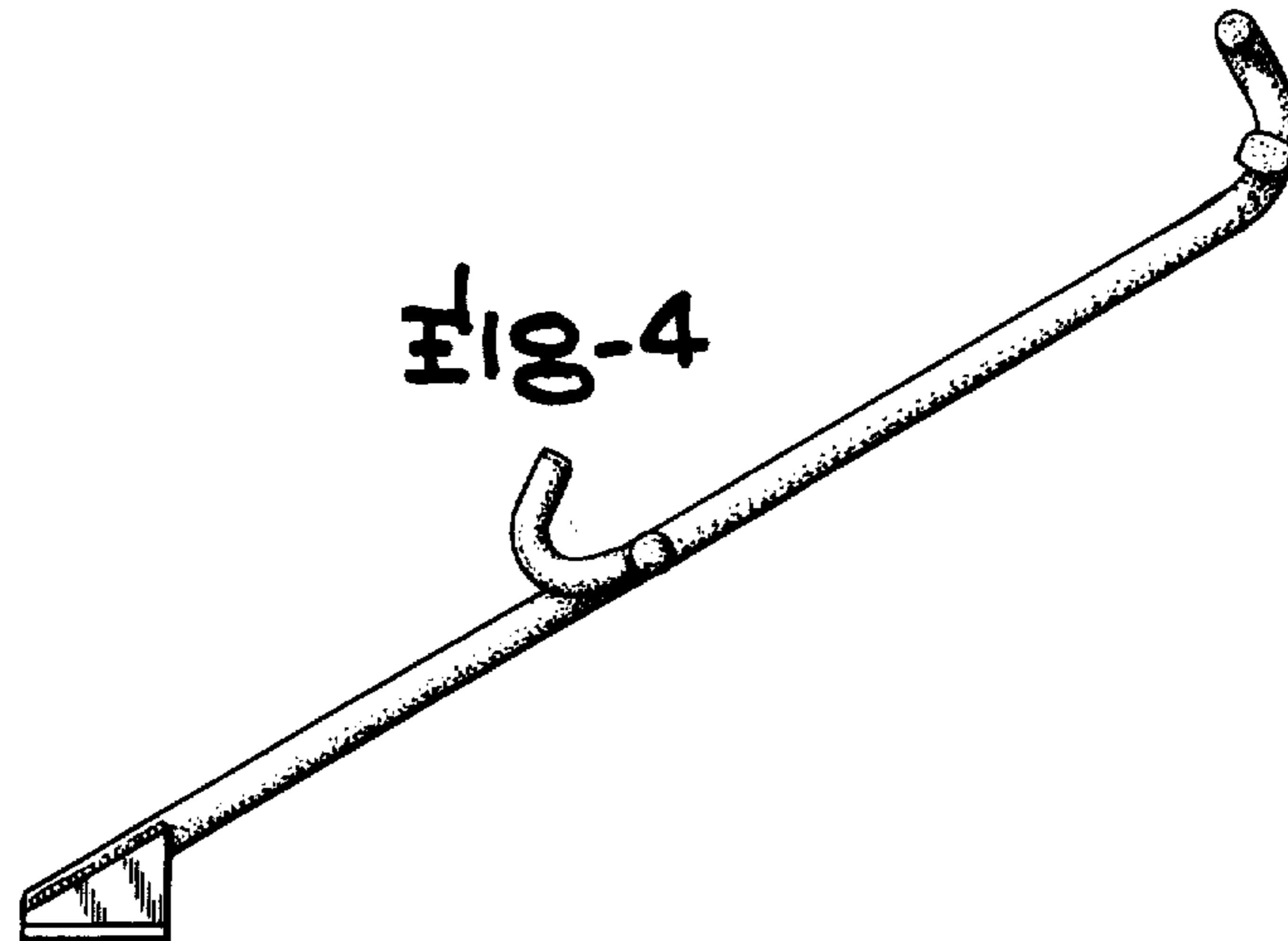
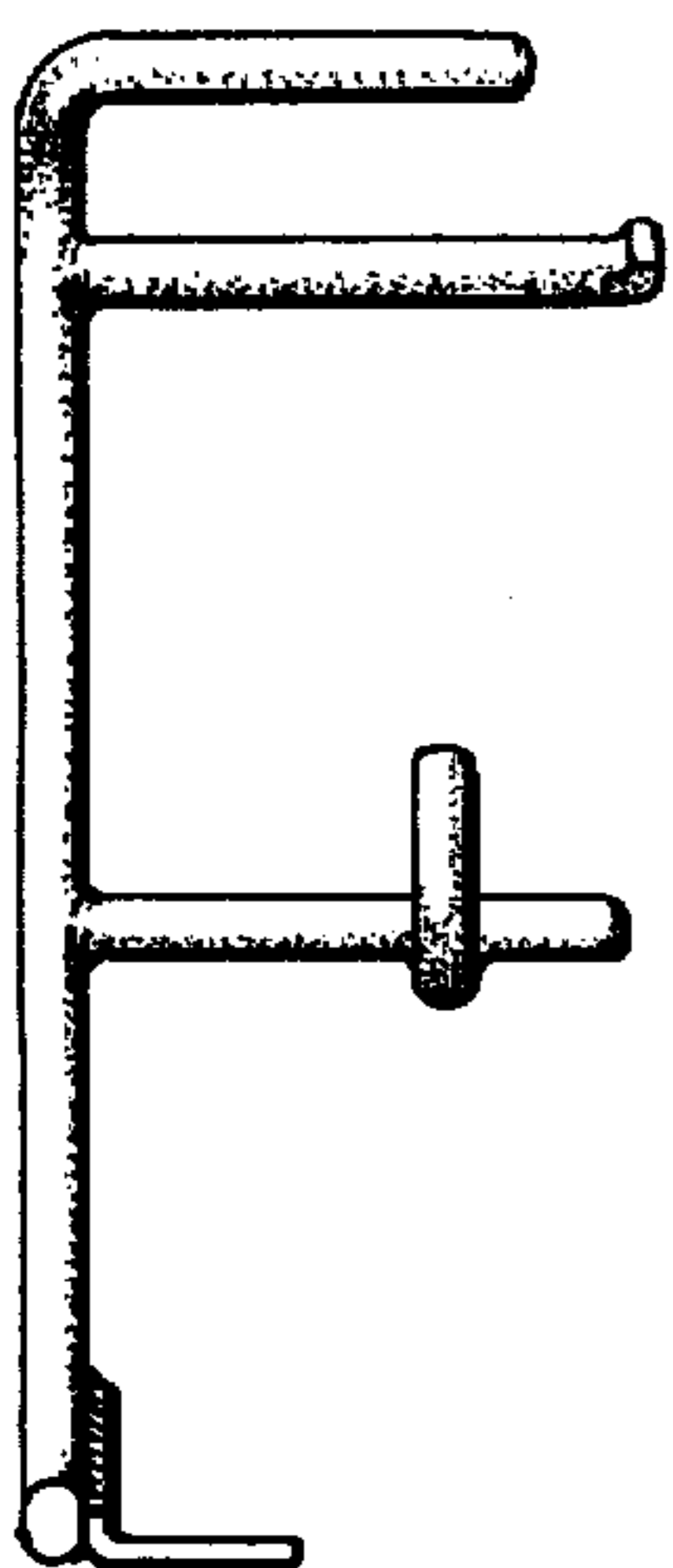
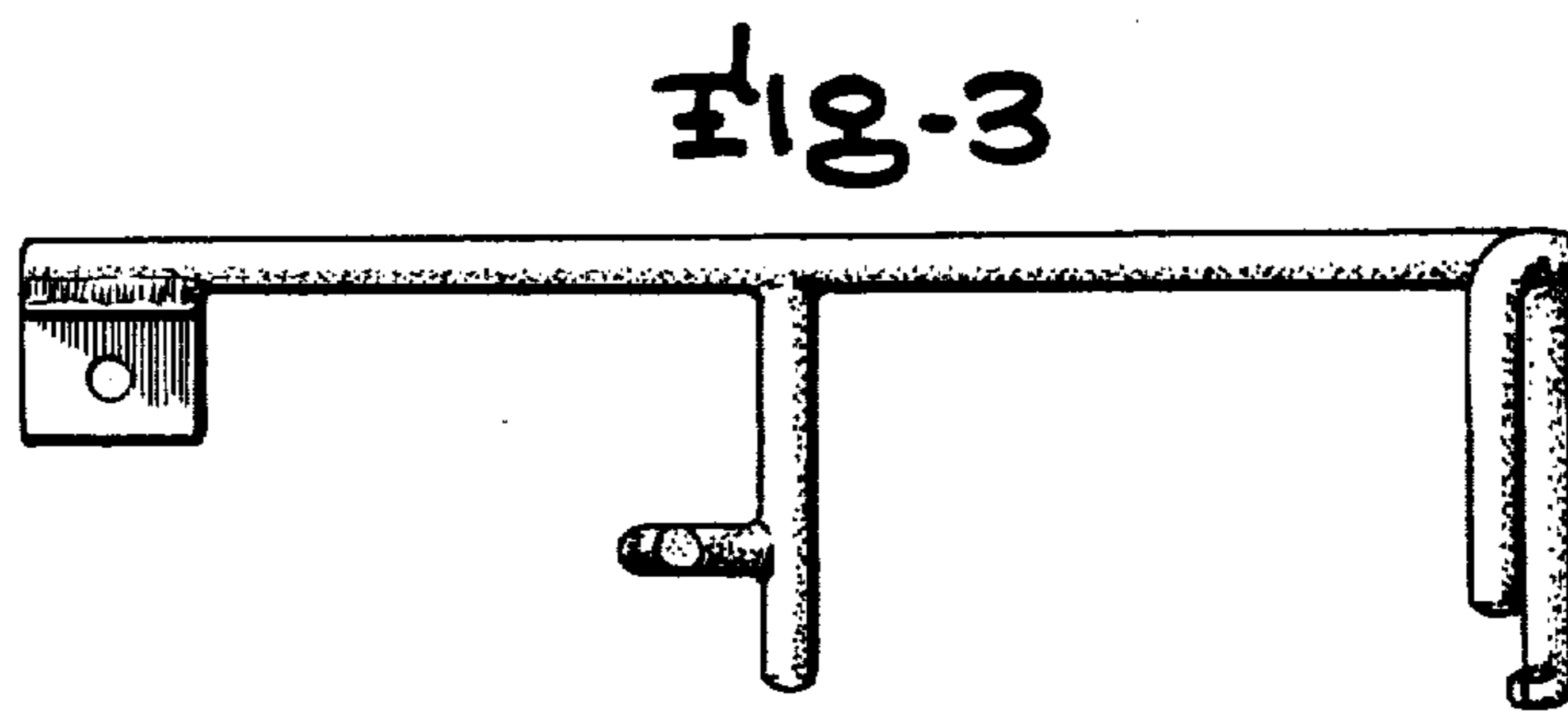
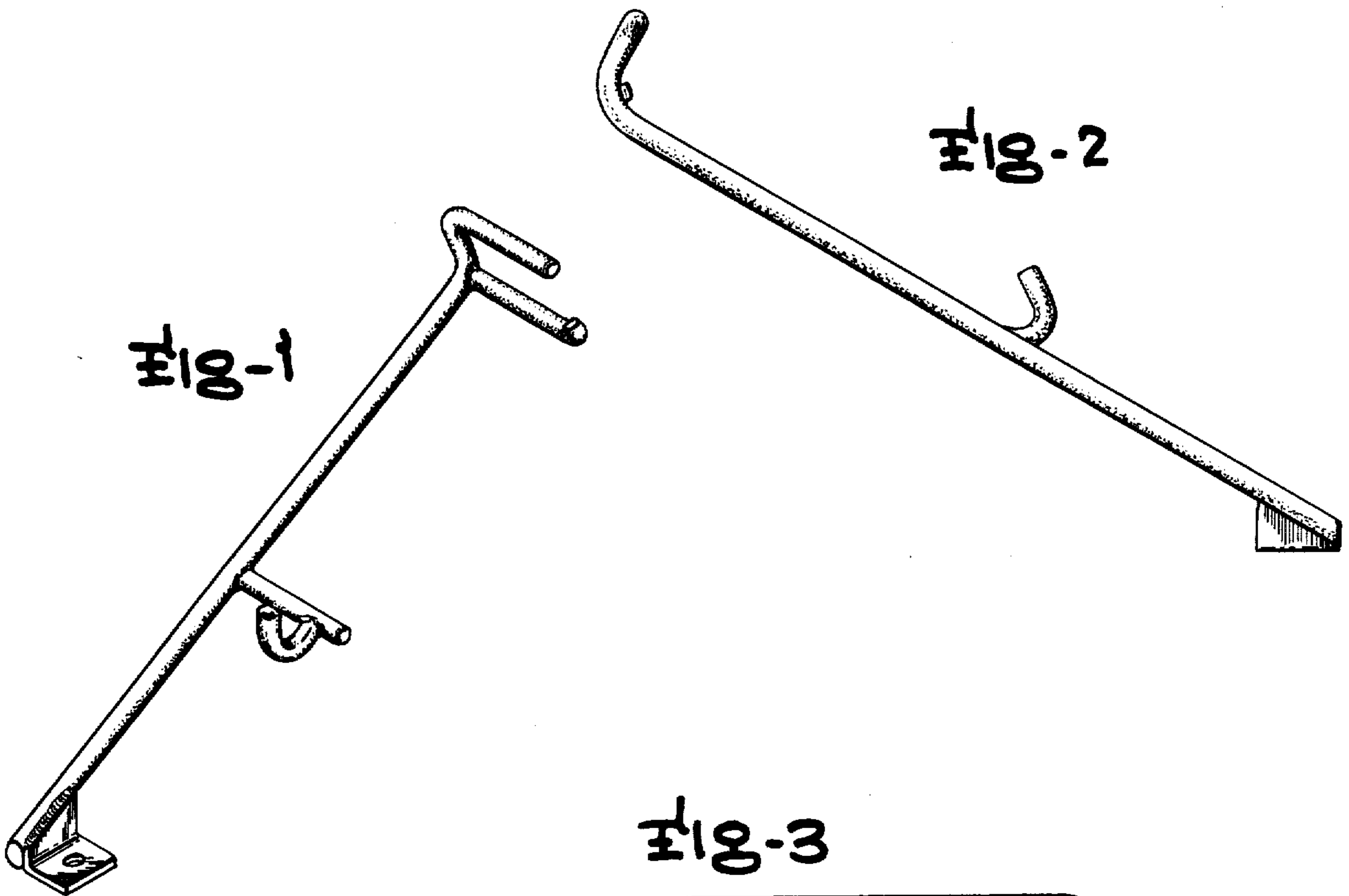


FIG-5

FIG-6

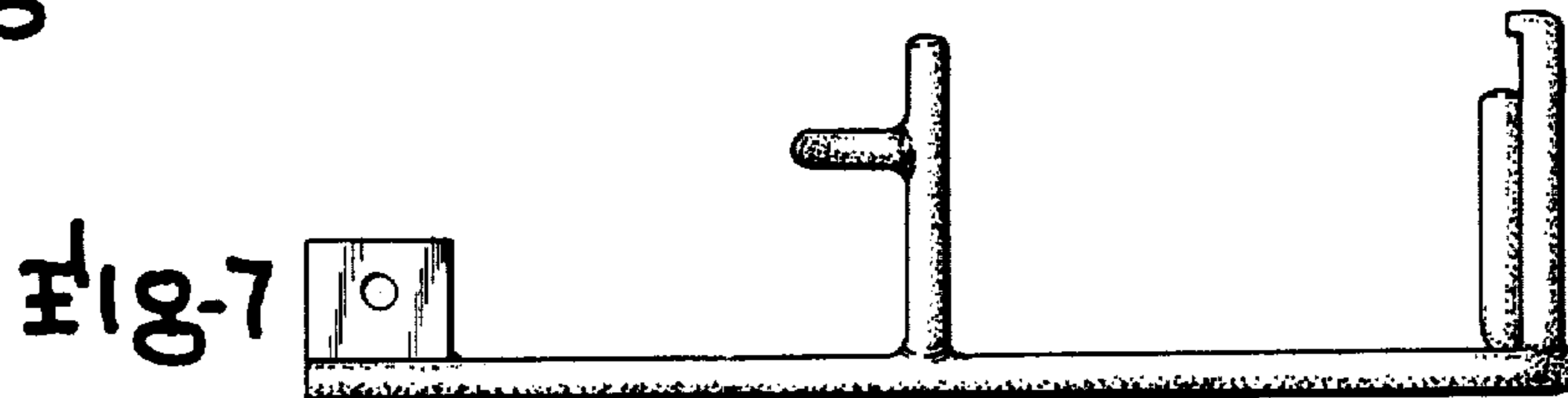


FIG-7