

[54] BASKETBALL RETURN FOR ATTACHMENT TO BASKETBALL HOOPS

- [75] Inventor: Jerry A. Armstrong, Glenburn, N. Dak.
- [73] Assignee: Super Hooper Corporation, Minot, N. Dak.
- [**] Term: 14 Years
- [21] Appl. No.: 84,133
- [22] Filed: Oct. 12, 1979
- [51] Int. Cl. D21-02
- [52] U.S. Cl. D21/201
- [58] Field of Search D21/201; 273/1.5 A

References Cited

U.S. PATENT DOCUMENTS

- 3,814,421 6/1974 Spier, Jr. 273/1.5 A
- 3,917,263 11/1975 Wiley 273/1.5 A

OTHER PUBLICATIONS

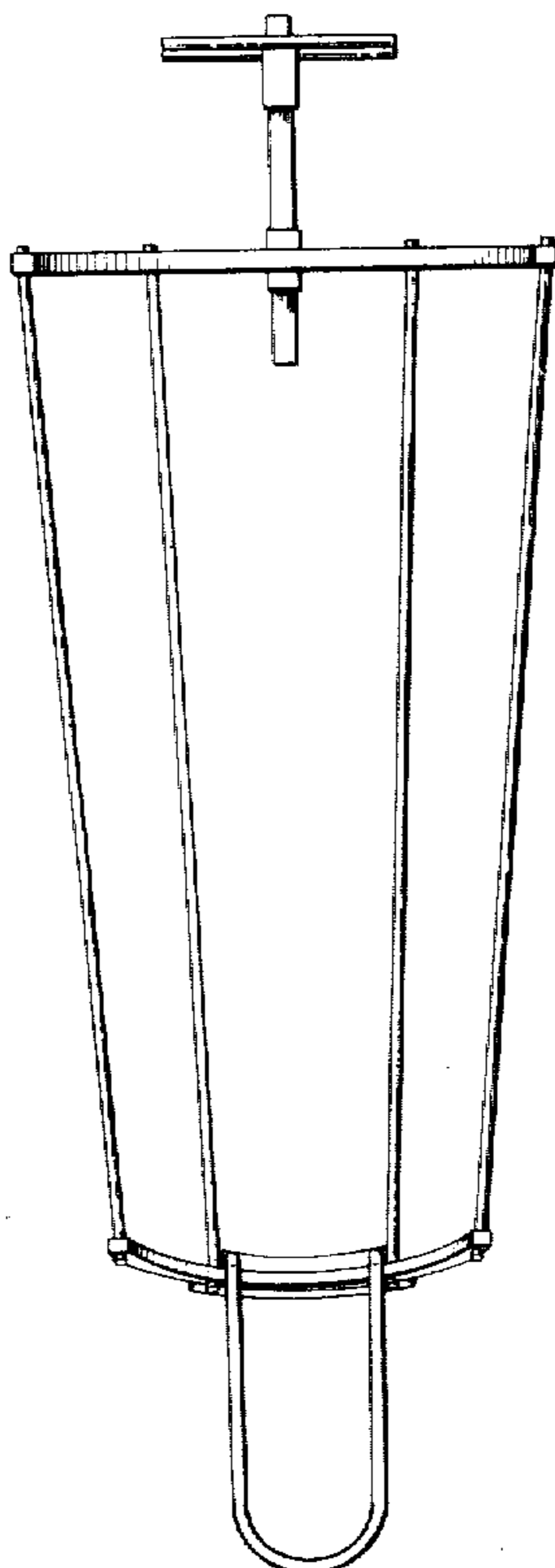
Coach & Athlete, Oct., 1977, p. 29, Rebounder.
 Primary Examiner—Melvin B. Feifer
 Attorney, Agent, or Firm—Mason, Fenwick & Lawrence

CLAIM

[57] The ornamental design for a basketball return for attachment to basketball hoops, as shown and described.

DESCRIPTION

FIG. 1 is an exploded front elevation view of a basketball return for attachment to basketball hoops, embodying my new design;
 FIG. 2 is a top plan view thereof;
 FIG. 3 is a front elevation view thereof;
 FIG. 4 is a side elevation view thereof, viewed from the left of FIG. 3, the opposite side elevation being substantially the mirror image thereof;
 FIG. 5 is a rear elevation view thereof; and
 FIG. 6 is a bottom view thereof.



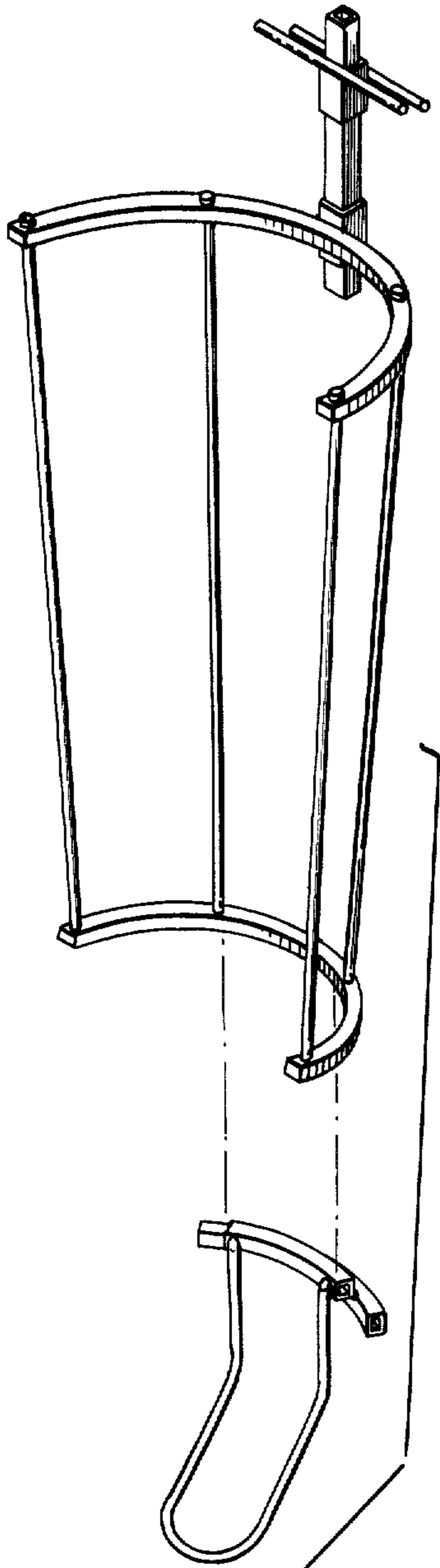


Fig-1

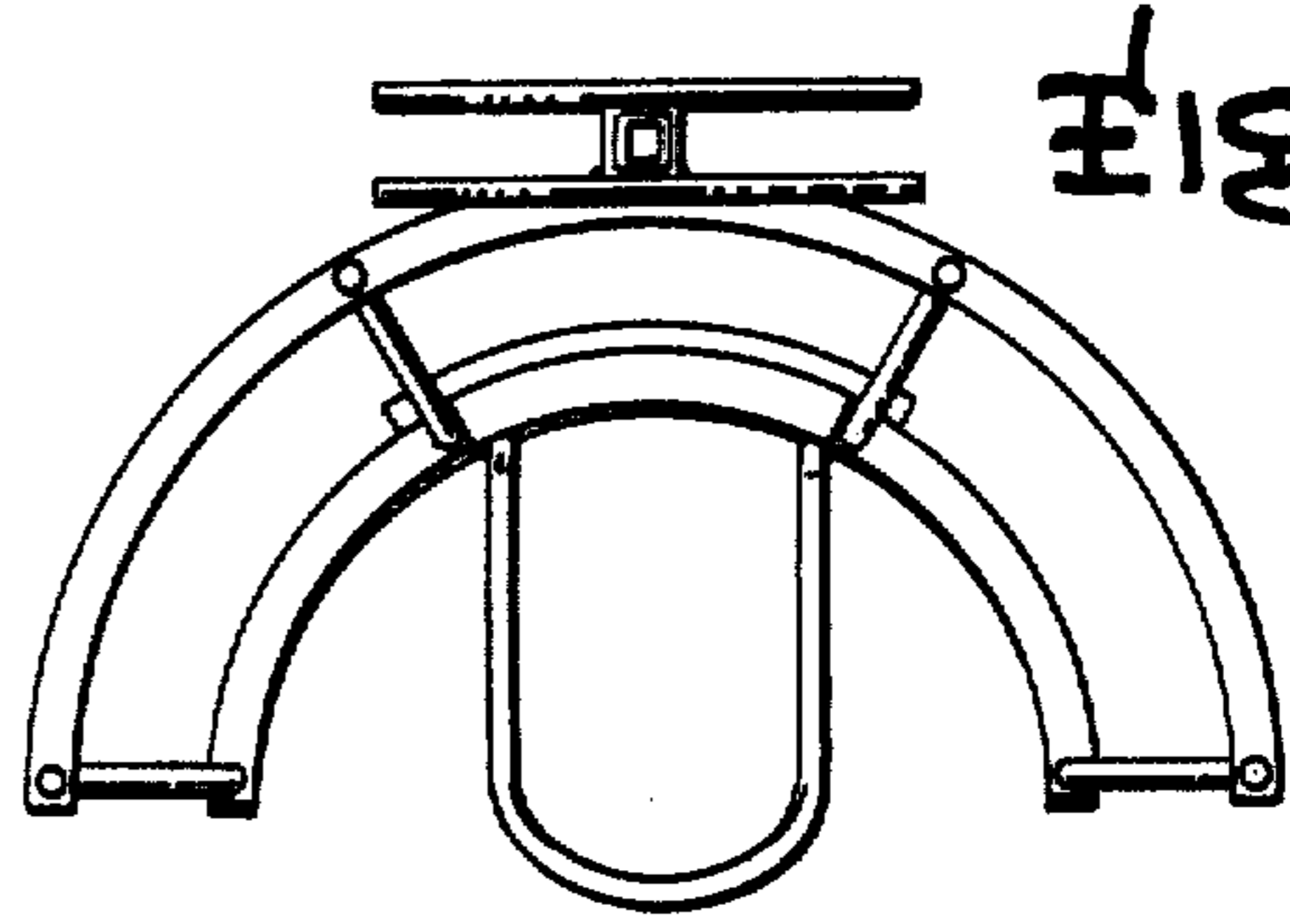


Fig-2

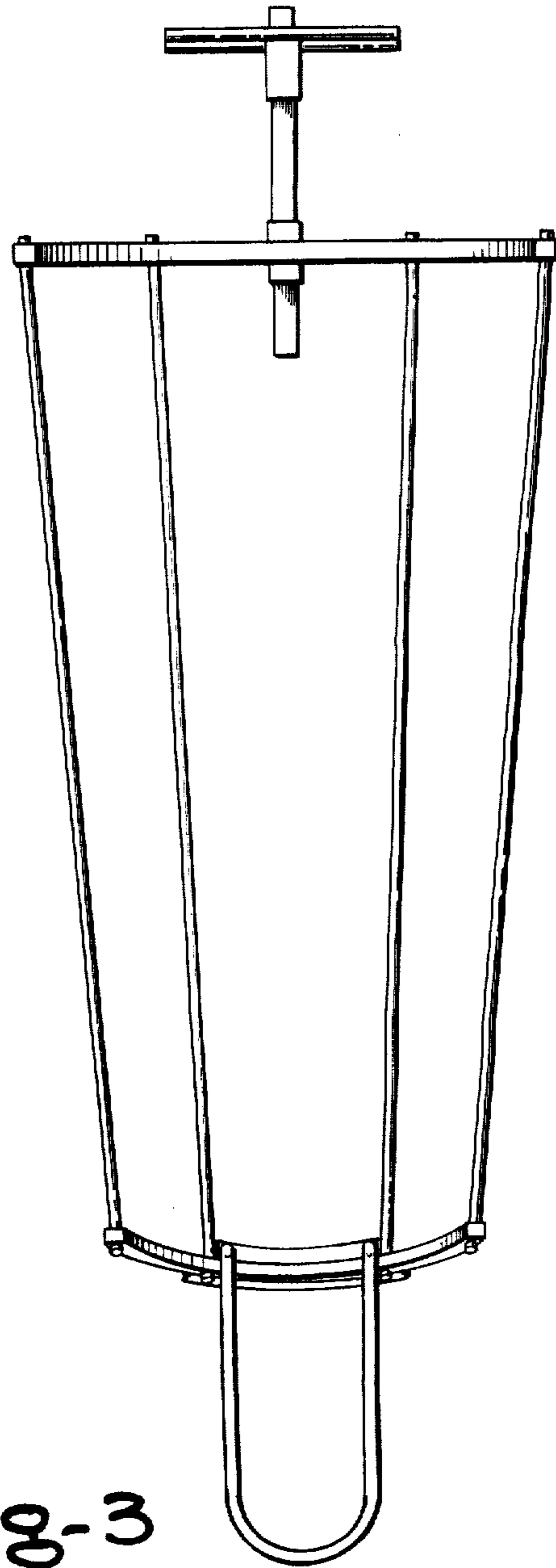


Fig-3

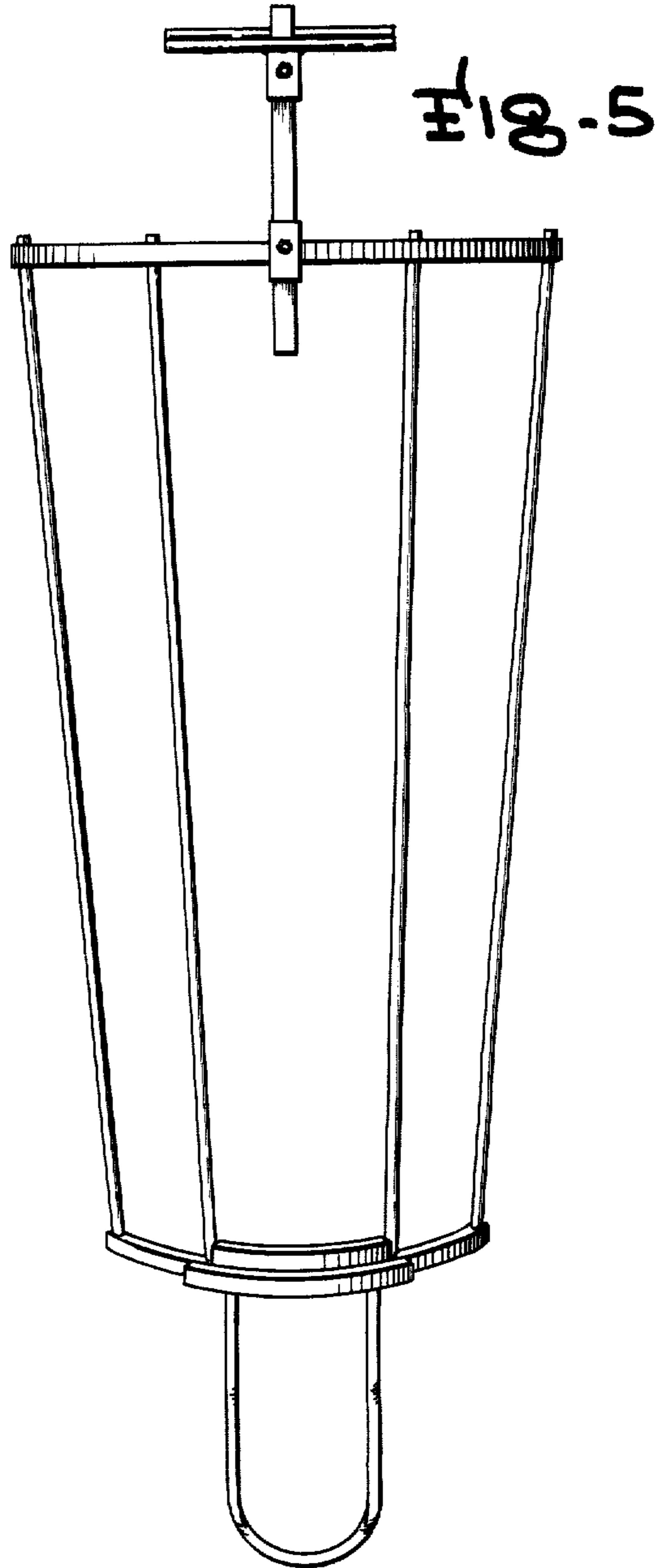
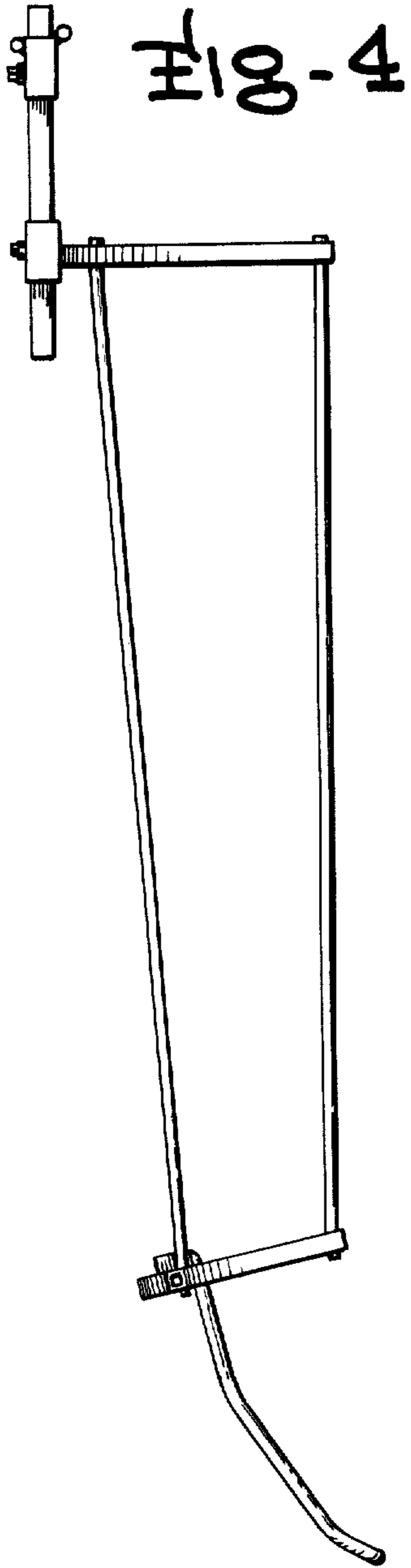


Fig-6

