

[54] TOY LASER WEAPON

[76] Inventors: **Jerry M. McAlpin**, P.O. Box 7, Bullard, Tex. 75757; **Danny R. Waites**, Rte. 1, Jacksonville, Tex. 75766

[**] Term: 14 Years

[21] Appl. No.: 28,832

[22] Filed: Apr. 10, 1979

[51] Int. Cl. D21-01
[52] U.S. Cl. D21/146
[58] Field of Search D21/145, 146, 147; 46/1 E; D8/68; D22/6

[56]

References Cited

U.S. PATENT DOCUMENTS

D. 154,728	8/1949	Wilson et al.	D8/68
D. 170,168	8/1953	Schaible	D21/146
D. 206,670	1/1967	Hirsch	D21/146
2,871,617	2/1959	West	D21/147

Primary Examiner—Charles A. Rademaker
Attorney, Agent, or Firm—Raymond N. Matson

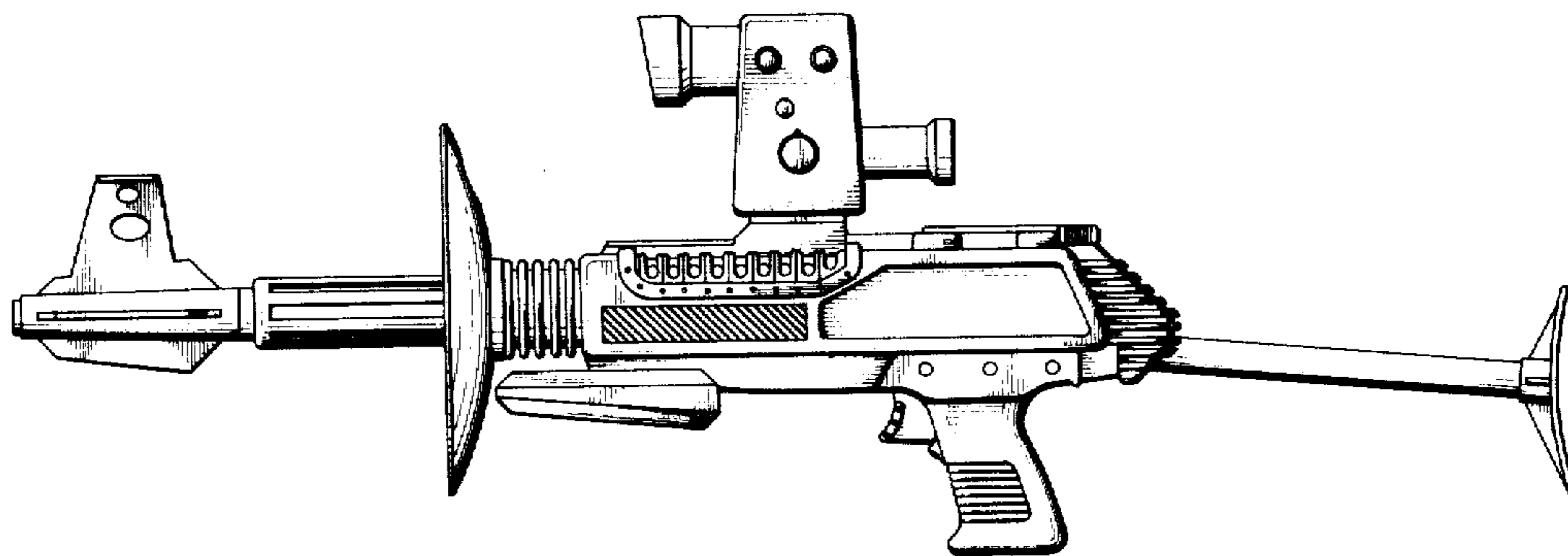
[57]

CLAIM

The ornamental design for a toy laser weapon, as shown and described.

DESCRIPTION

FIG. 1 is a side elevational view of a toy laser weapon showing our new design, the side opposite being substantially a mirror image;
FIG. 2 is a top plan view thereof;
FIG. 3 is a front elevational view thereof; and
FIG. 4 is a rear elevational view thereof.



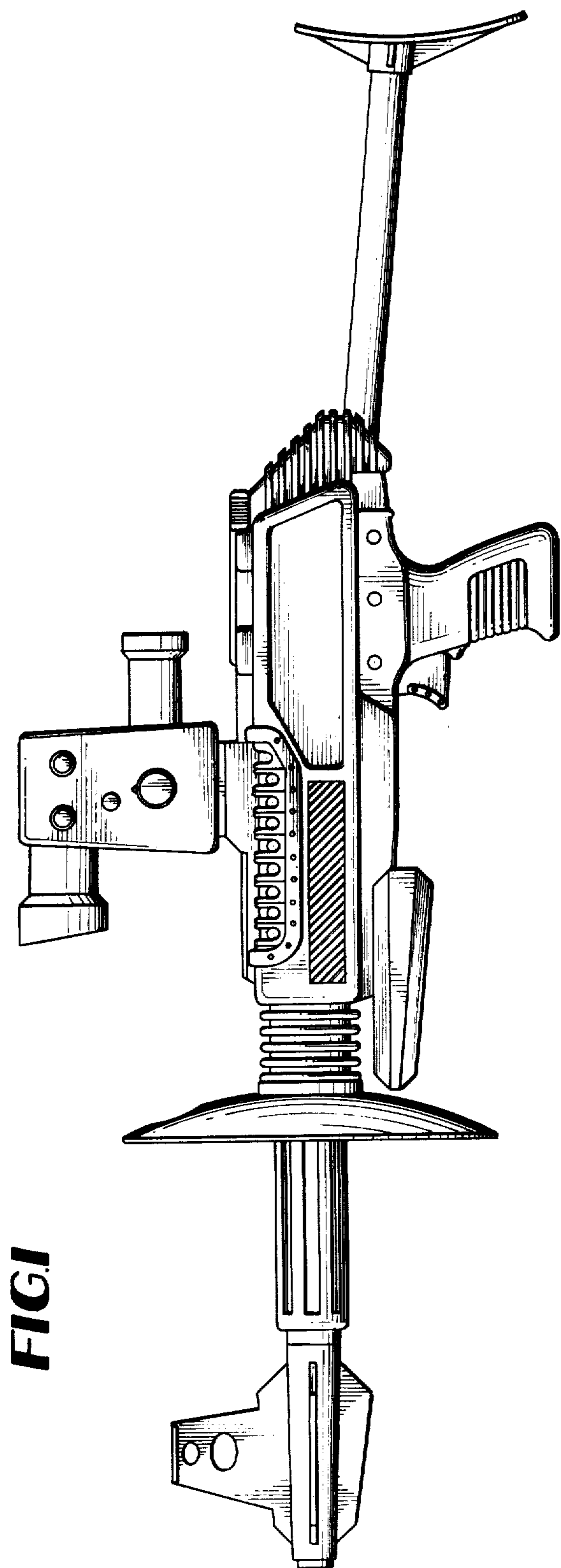


FIG. 1

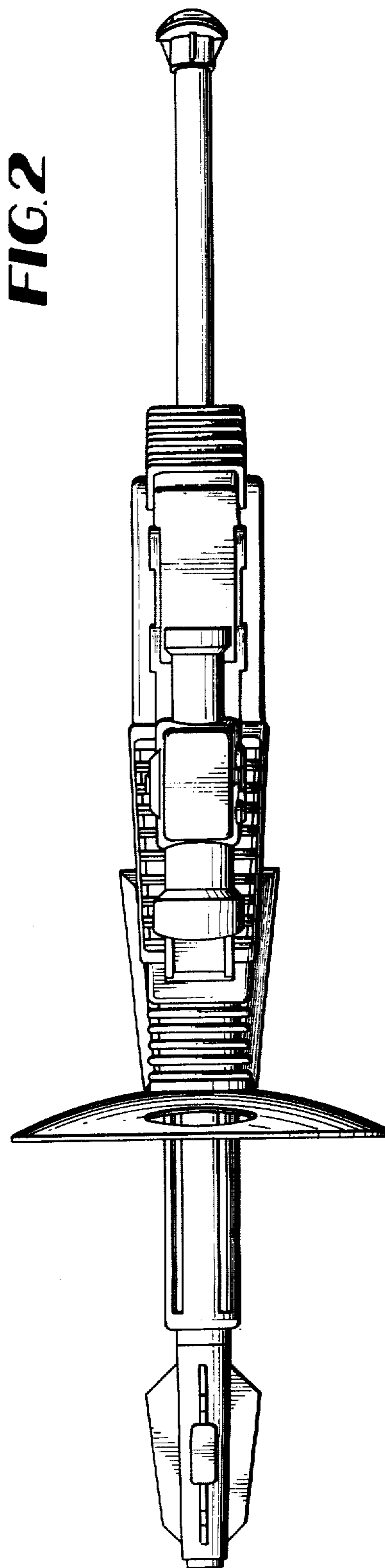


FIG. 2

FIG.4

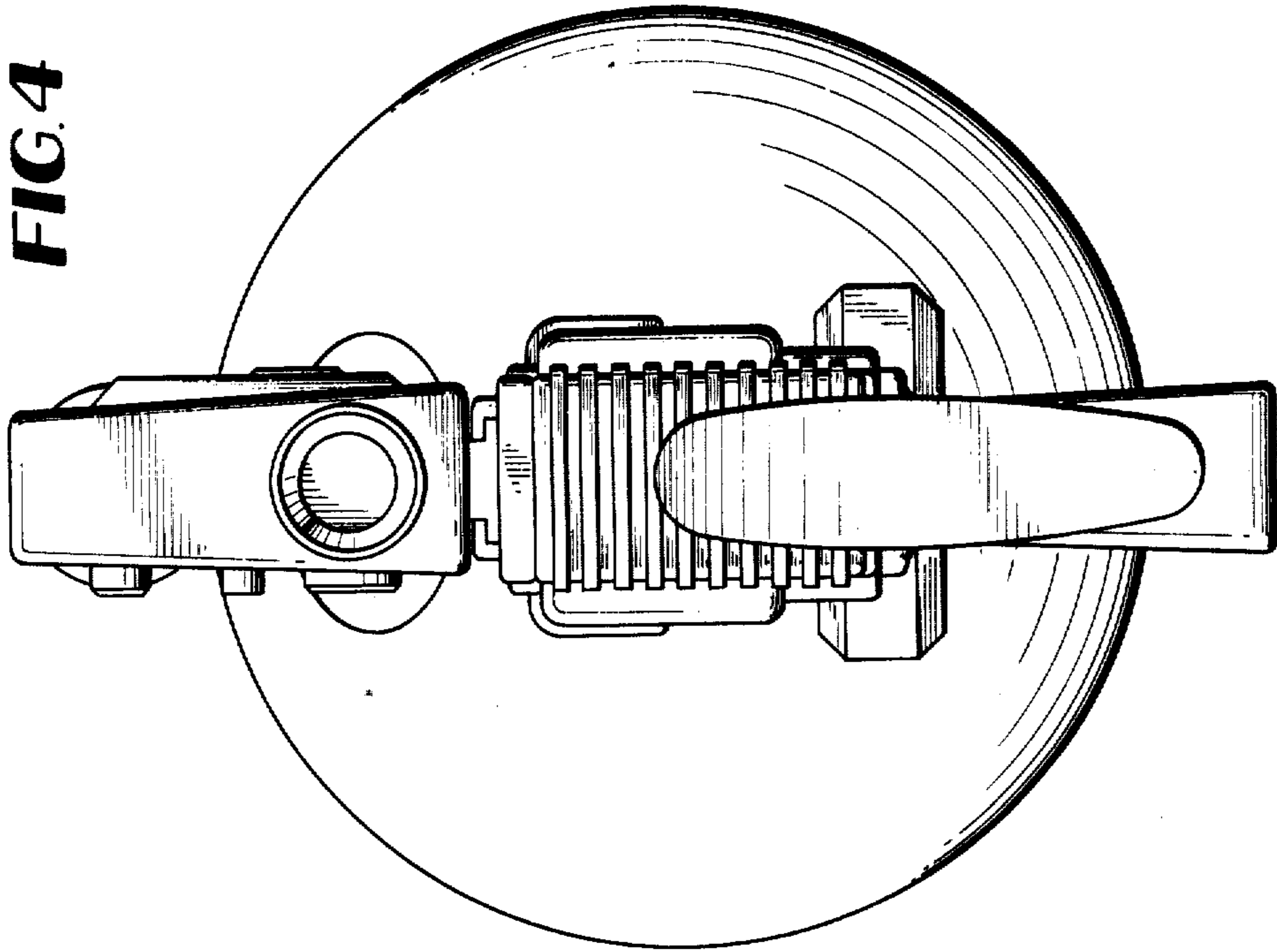


FIG.3

