

[54] TOY CONSTRUCTION PIECE

[75] Inventor: Hiroyuki Hida, Tokyo, Japan

[73] Assignee: Mitsubishi Pencil Co. Ltd., Tokyo, Japan

[\*\*] Term: 14 Years

[21] Appl. No.: 886,925

[22] Filed: Mar. 15, 1978

Related U.S. Application Data

[62] Division of Ser. No. 657,256, Feb. 11, 1976, abandoned.

[30] Foreign Application Priority Data

Sep. 1, 1975 [JP] Japan ..... 50/35263

[51] Int. Cl. .... D21-01

[52] U.S. Cl. .... D21/108

[58] Field of Search ..... D21/108, 107, 51, 204; 46/16, 23, 24, 25, 26, 27, 28, 29; D25/81, 82, 98

[56] References Cited

U.S. PATENT DOCUMENTS

D. 103,876	3/1937	Pickin	.....	D21/51
D. 253,121	10/1979	Hida	.....	D21/108
3,509,642	5/1970	Brumlik	.....	46/26
3,611,621	10/1971	Folson	.....	46/25

FOREIGN PATENT DOCUMENTS

1007327 12/1949 France ..... 46/23

OTHER PUBLICATIONS

Registeringstidning för Mönster, 8-11-1972, M592, 1972, Construction Piece at n.r.l.

Primary Examiner—Charles A. Rademaker  
Attorney, Agent, or Firm—Eric P. Schellin

[57] CLAIM

The ornamental design for a toy construction piece, as shown and described.

DESCRIPTION

FIG. 1 is a perspective view of a toy construction piece in an exploded condition, showing my new design.  
 FIG. 2 is a top plan view thereof;  
 FIG. 3 is a front elevational view thereof;  
 FIG. 4 is a right side elevational view thereof;  
 FIG. 5 is a front elevational view of the right side element of FIG. 1;  
 FIG. 6 is a left side elevational view thereof;  
 FIG. 7 is a cross-sectional view thereof taken along line A—A in FIG. 5;  
 FIG. 8 is a bottom plan view thereof;  
 FIG. 9 is a front elevational view of the left side element shown in FIG. 1;  
 FIG. 10 is a right side elevational view thereof;  
 FIG. 11 is a cross-sectional view thereof taken along line B—B in FIG. 9; and  
 FIG. 12 is a bottom plan view thereof.

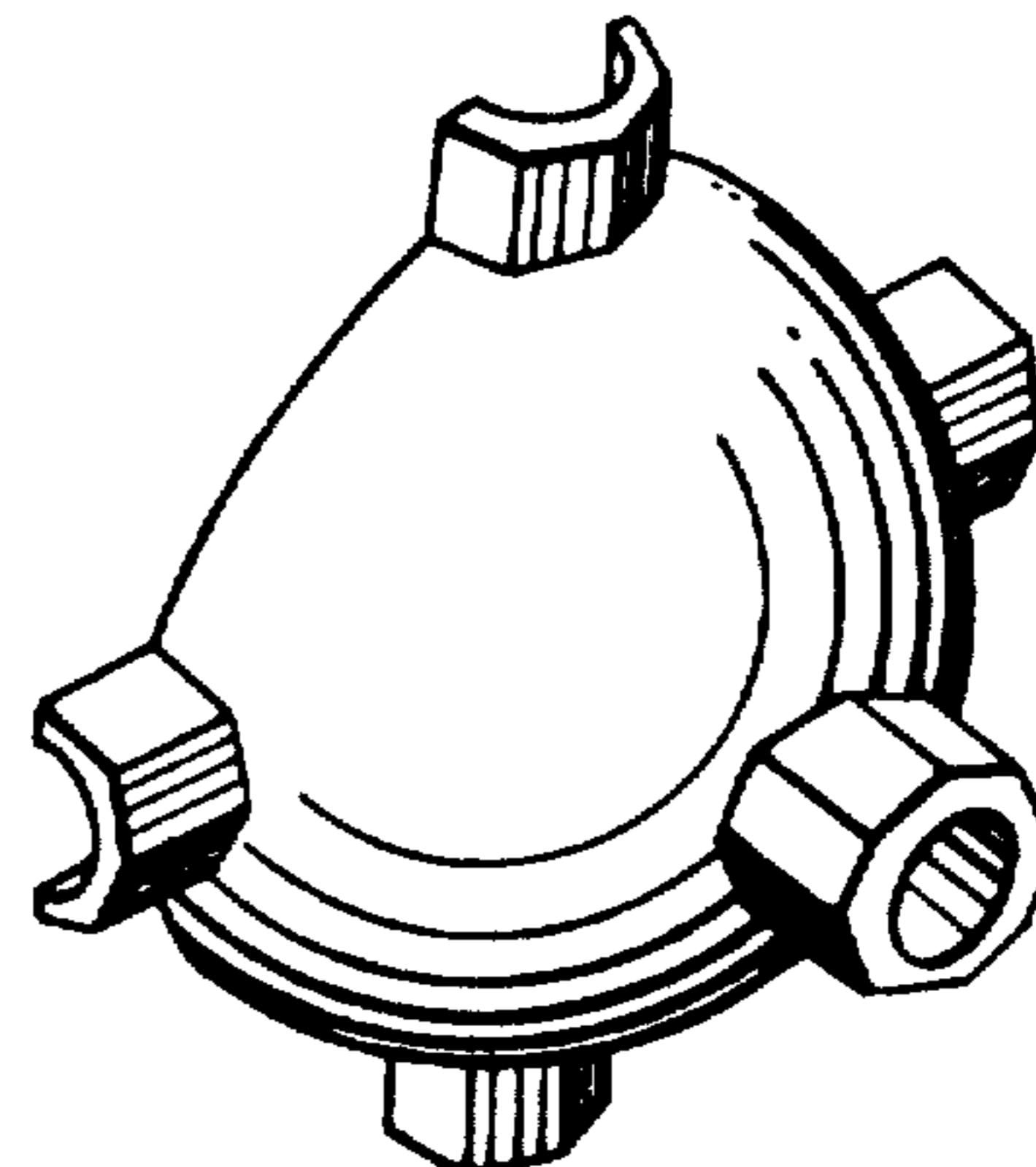
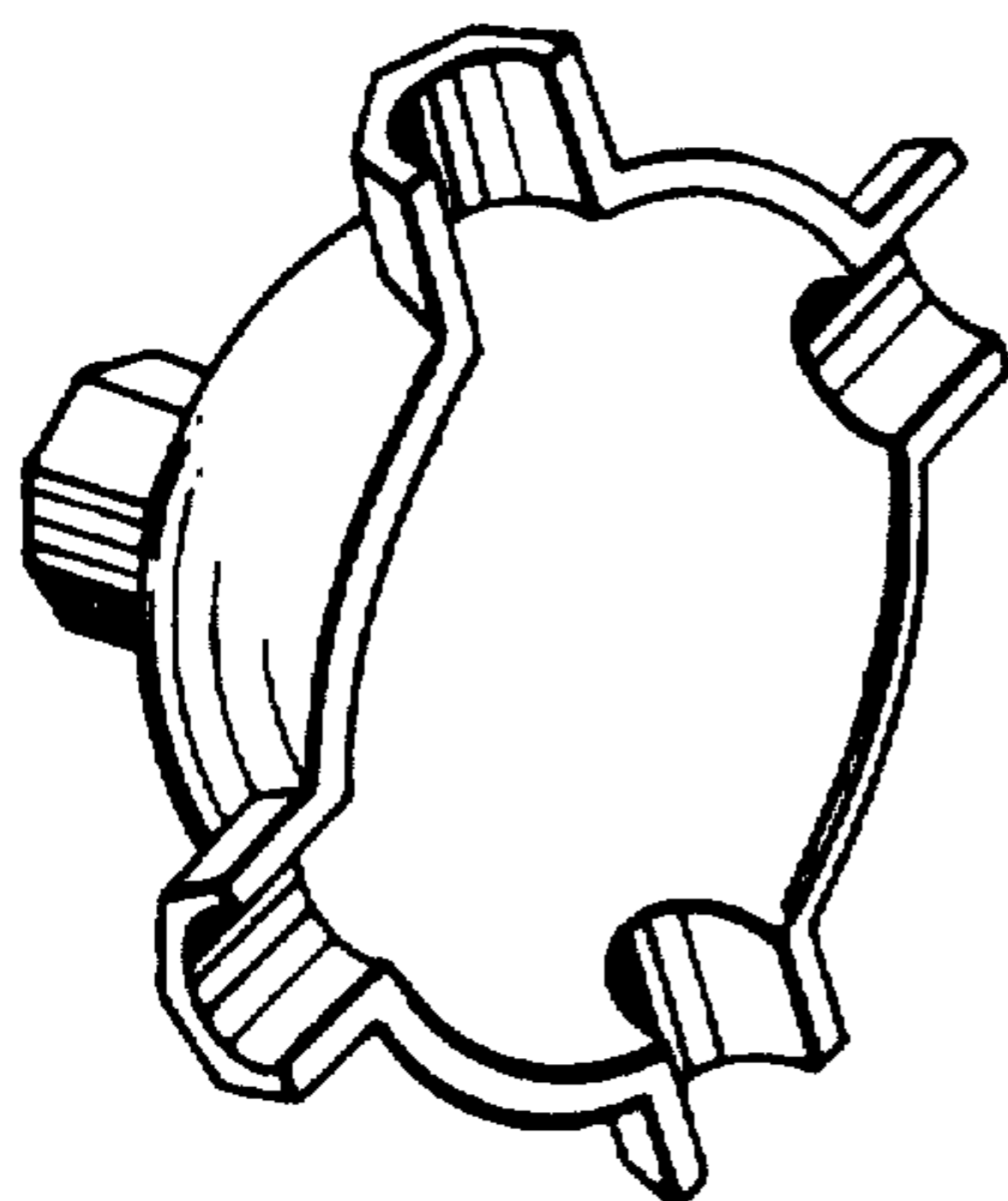


FIG. 2

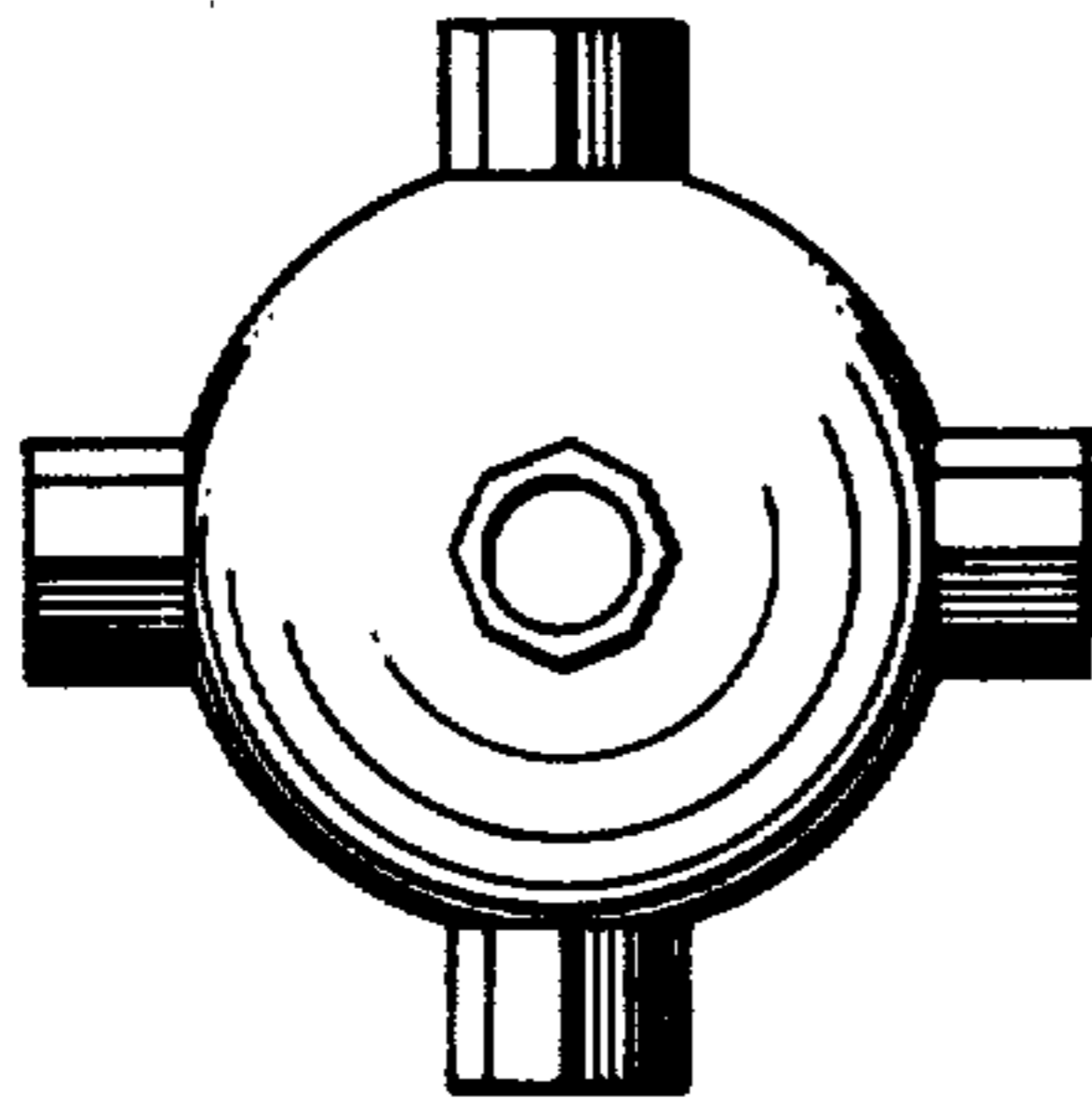


FIG. 3

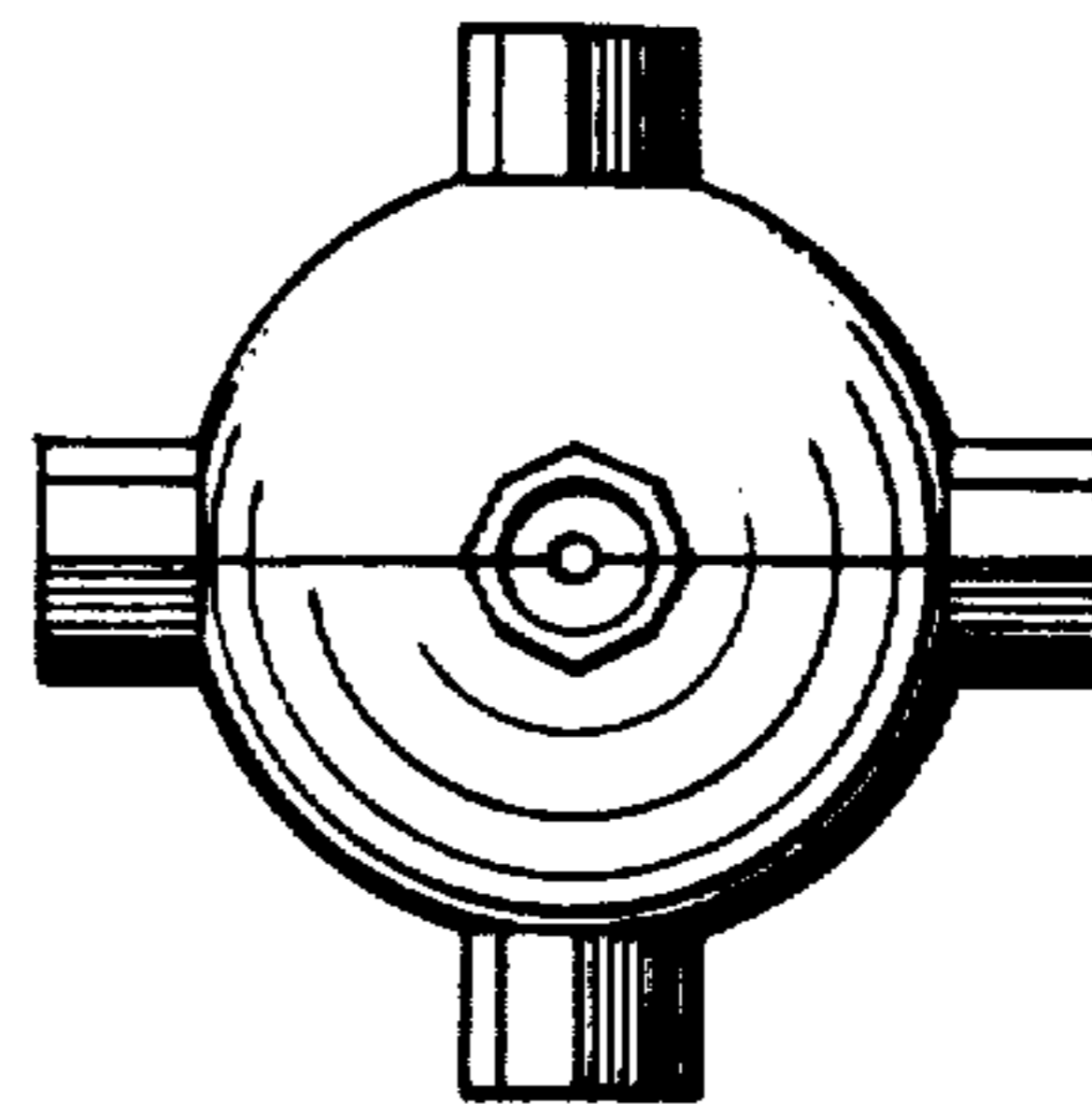


FIG. 4

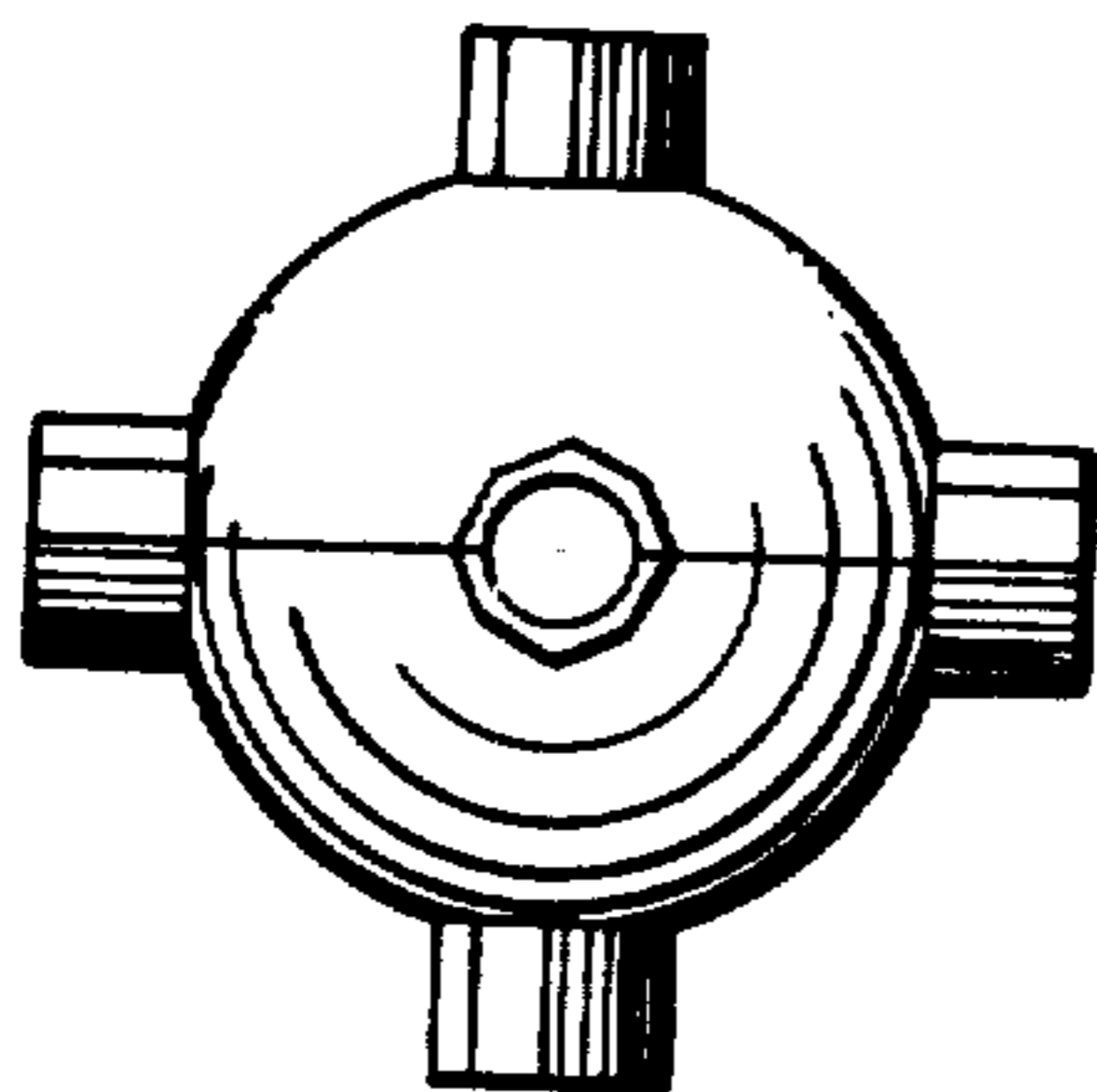


FIG. 1

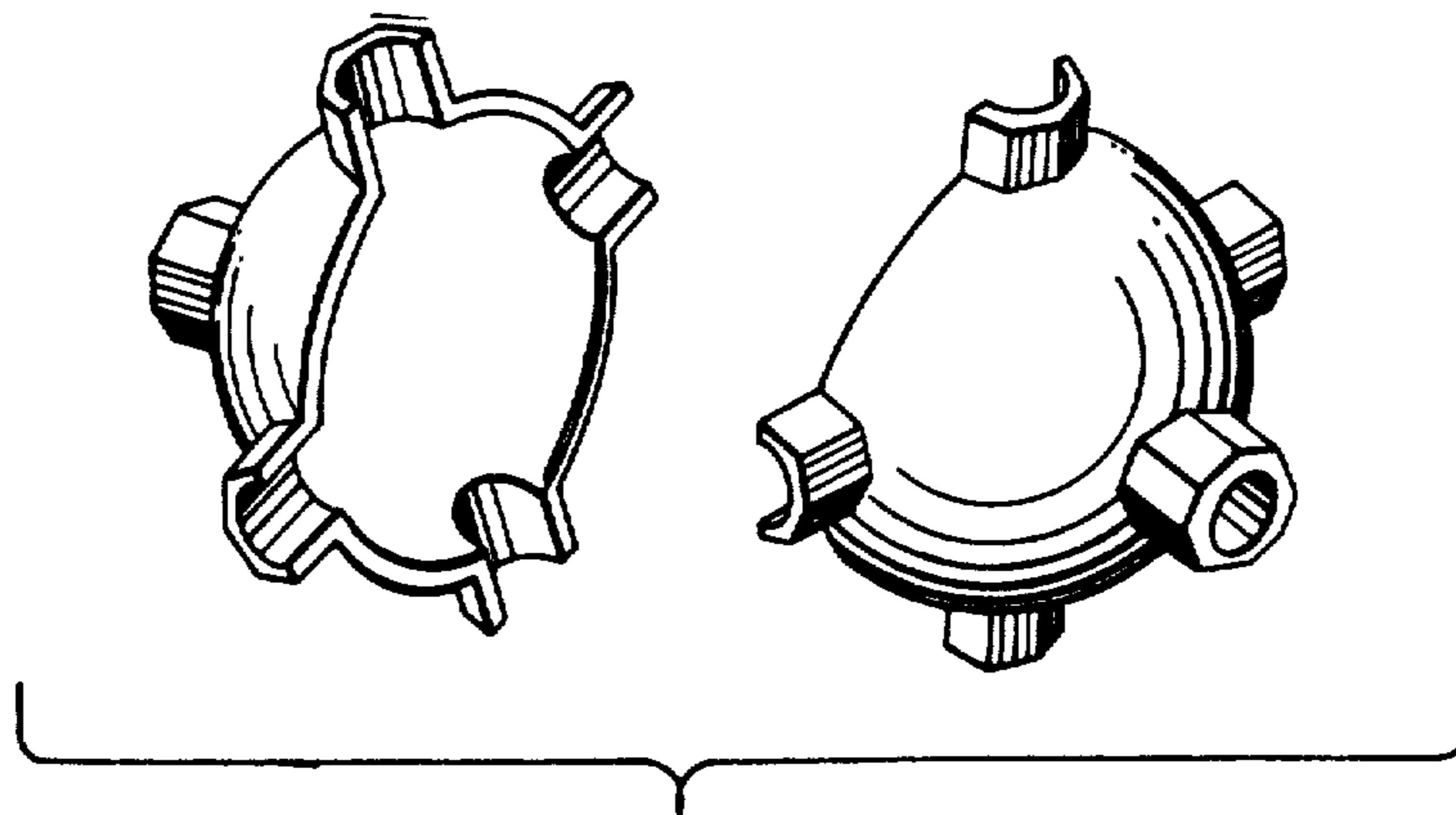


FIG. 5

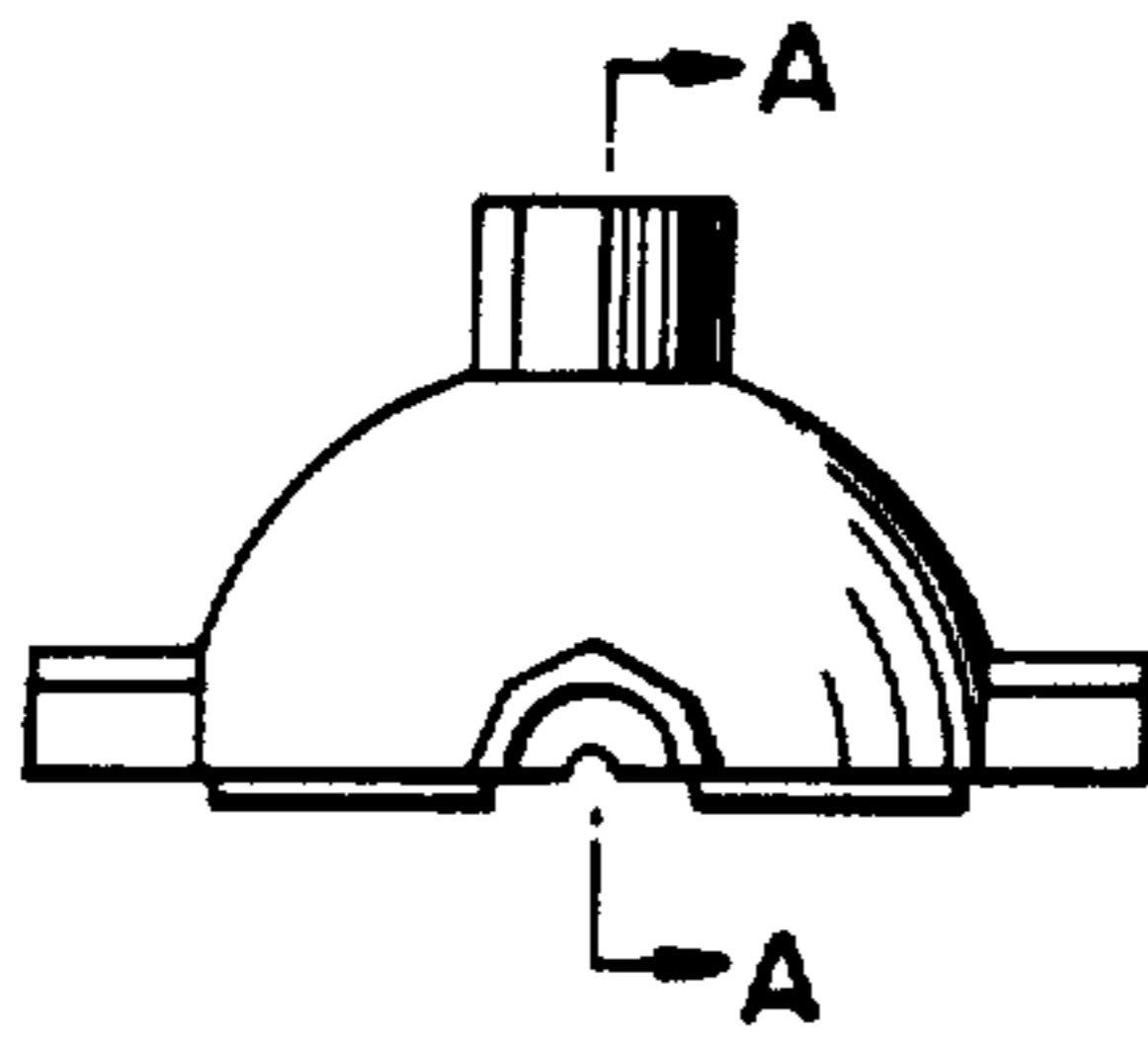


FIG. 6

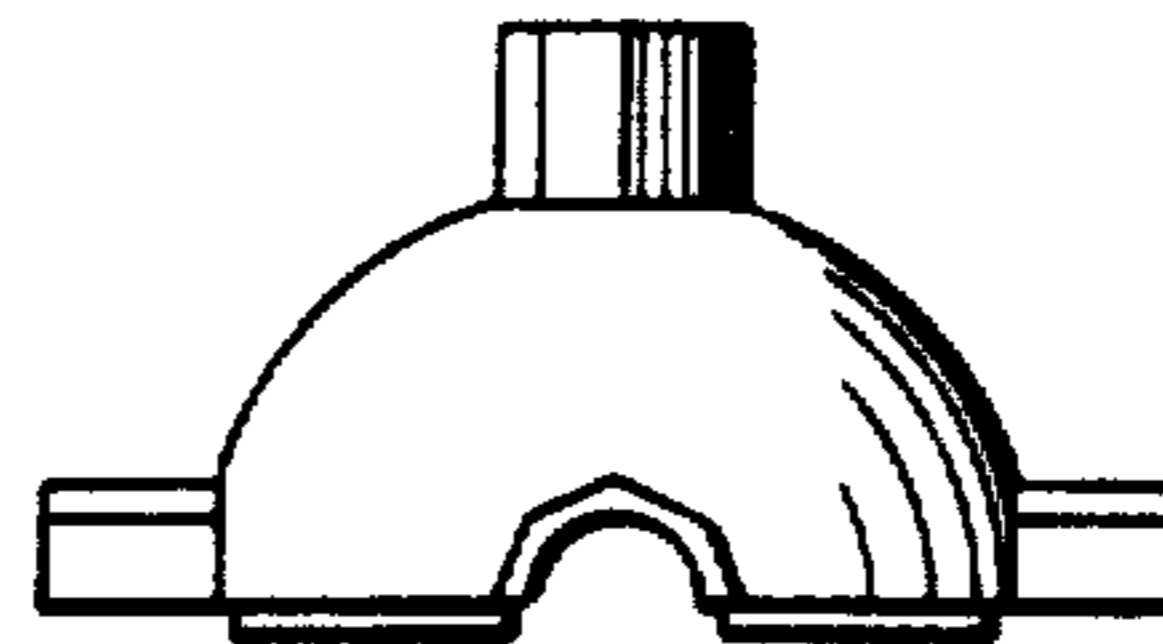


FIG. 7

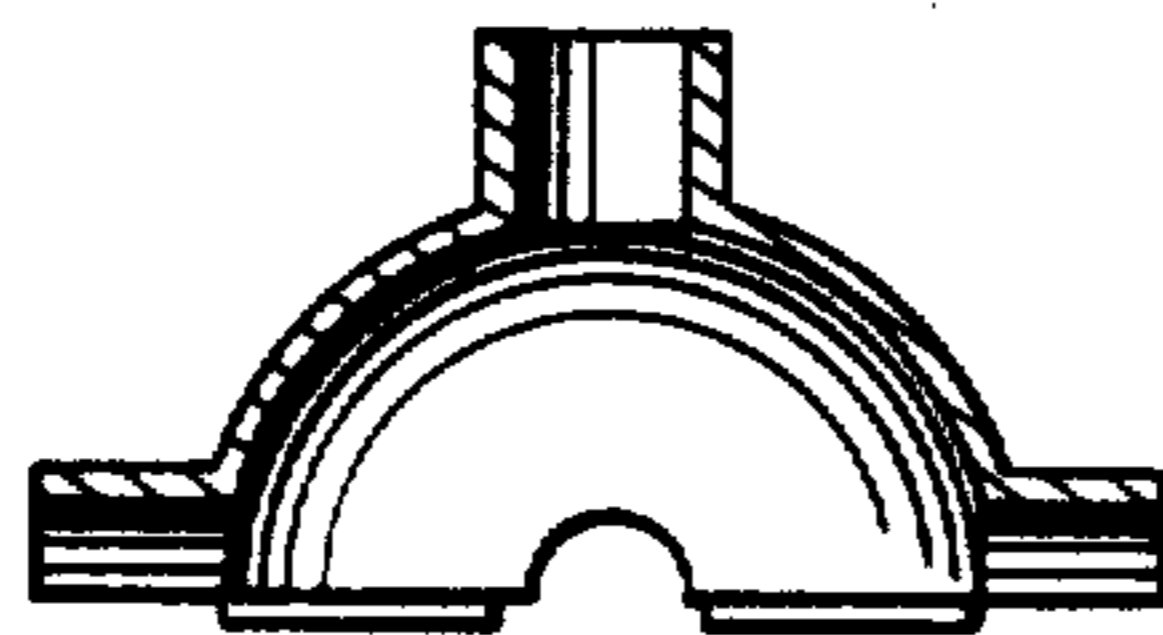


FIG. 8

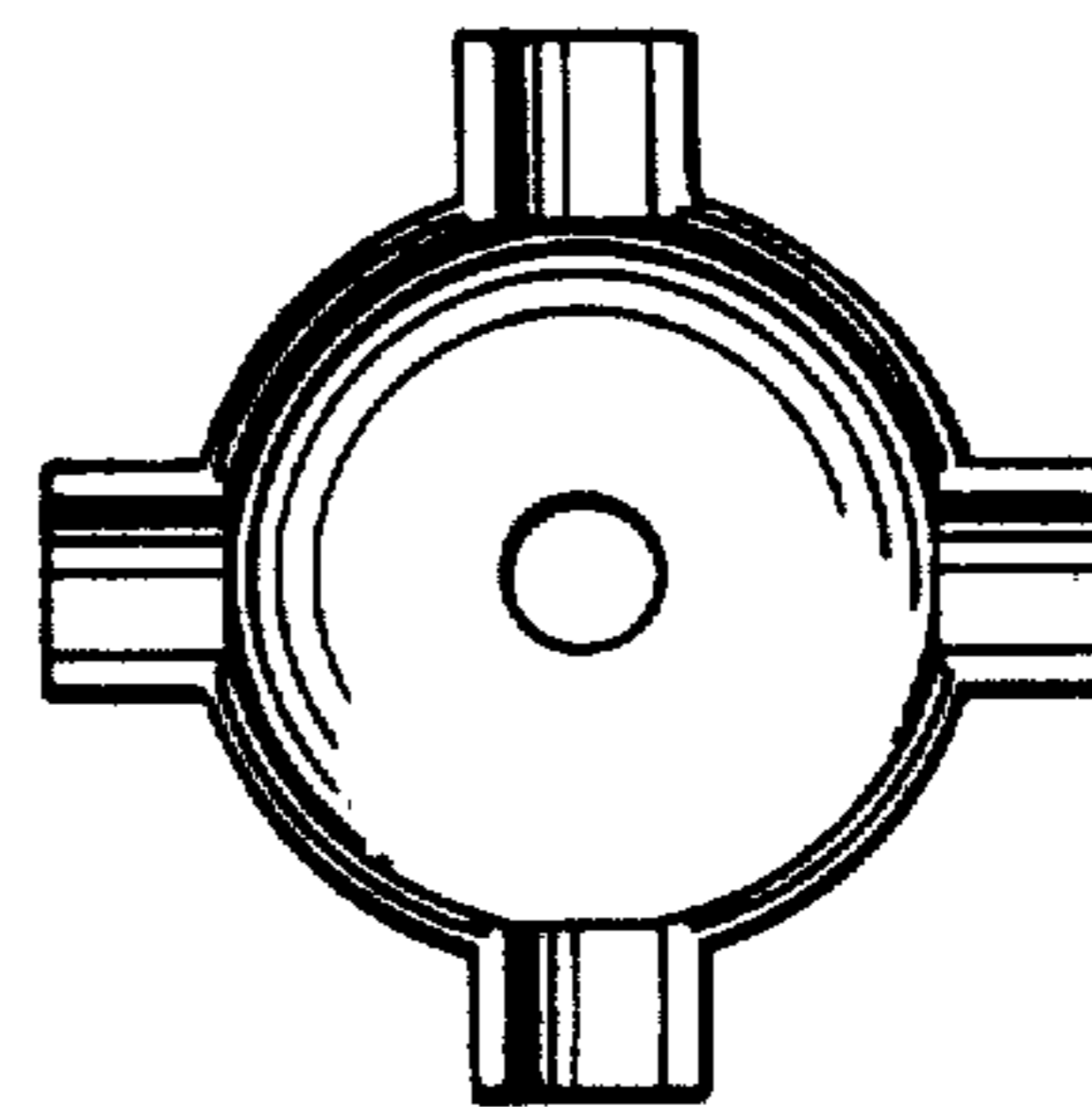


FIG. 9

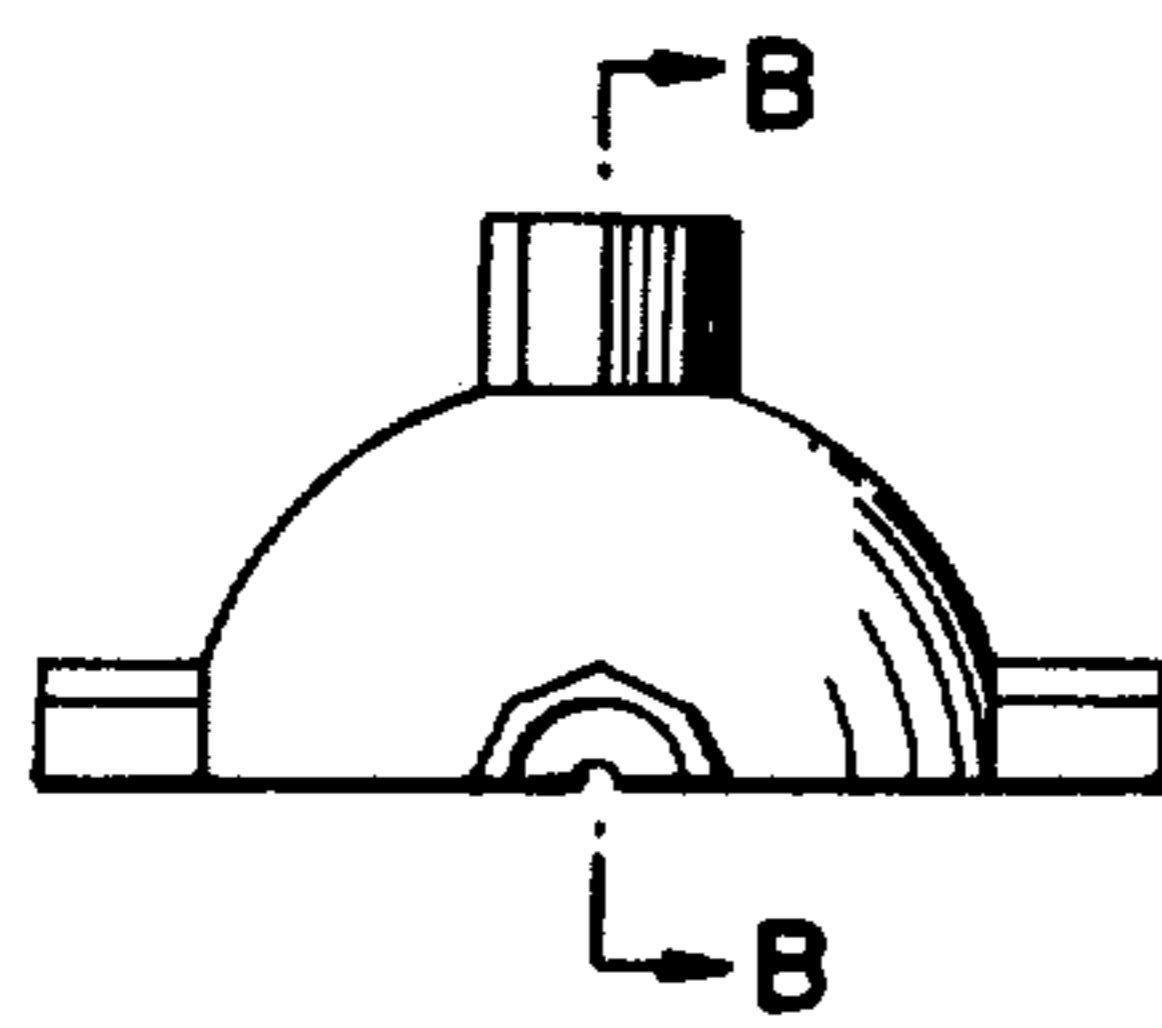


FIG. 10

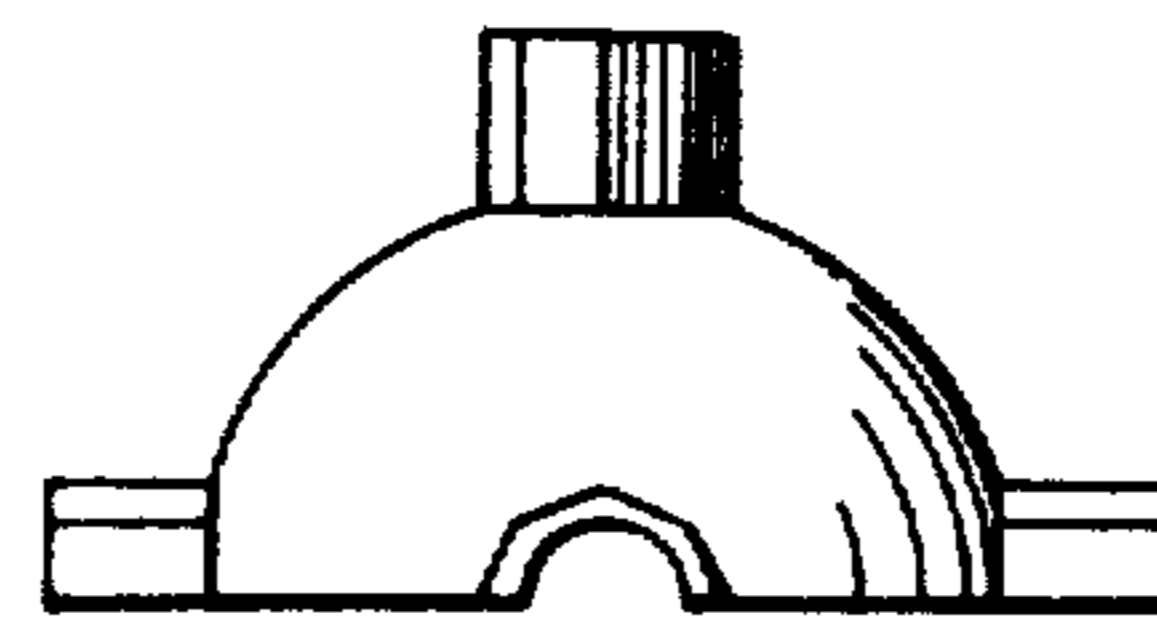


FIG. 11

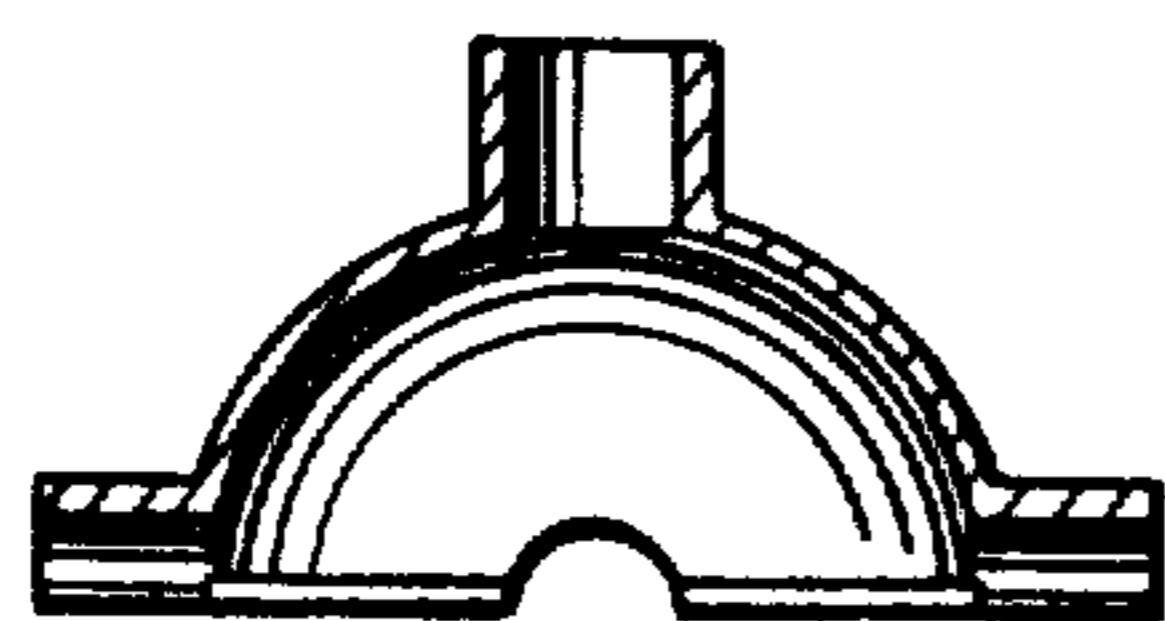


FIG. 12

