

[54] MUSICAL SPOON

[76] Inventor: Germaine Guay, 835 Gardendale,
Ferndale, Mich. 48220

[**] Term: 14 Years

[21] Appl. No.: 89,807

[22] Filed: Oct. 31, 1979

[51] Int. Cl. D17-04

[52] U.S. Cl. D17/22; D17/99

[58] Field of Search D17/22, 99; 84/94 C,
84/402; D21/64; D7/98

[56] References Cited

U.S. PATENT DOCUMENTS

2,800,825	7/1957	Toussaint	84/94 C
3,170,360	2/1965	Miettinen	84/402
3,444,772	5/1969	Martin	84/402
3,499,361	3/1970	Harleman	84/402

OTHER PUBLICATIONS

Latin Percussion, Advertising Sheet, "Rhythm Clackers", item #LP334.

Primary Examiner—Jane E. Corrigan
Attorney, Agent, or Firm—Cullen, Sloman, Cantor,
Grauer, Scott & Rutherford

[57] CLAIM

The ornamental design for a musical spoon, substantially as shown and described.

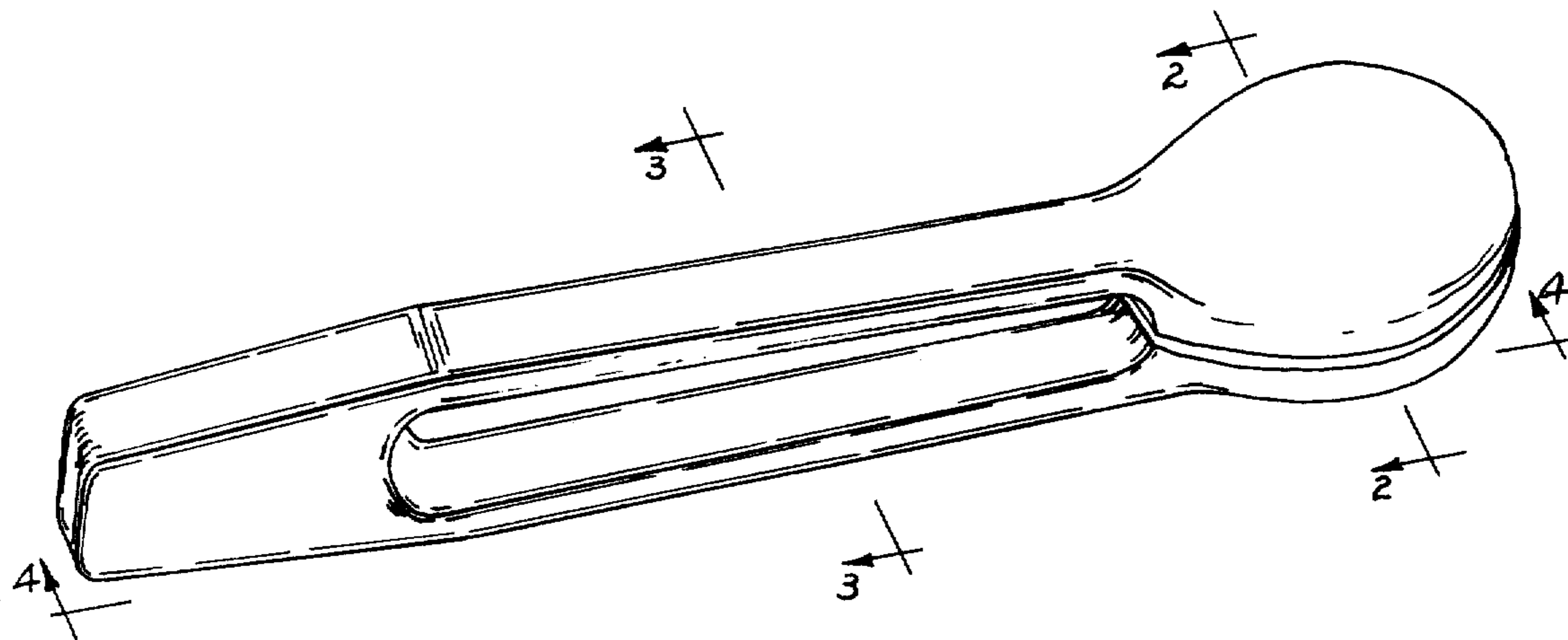
DESCRIPTION

FIG. 1 is a side perspective view of a musical spoon showing my new design, the opposite being a mirror image of the side shown;

FIG. 2 is a sectional view taken along line 2—2 in FIG. 1;

FIG. 3 is a sectional view taken along line 3—3 in FIG. 1; and

FIG. 4 is a longitudinal sectional view taken in the direction of arrows 4—4 of FIG. 1.



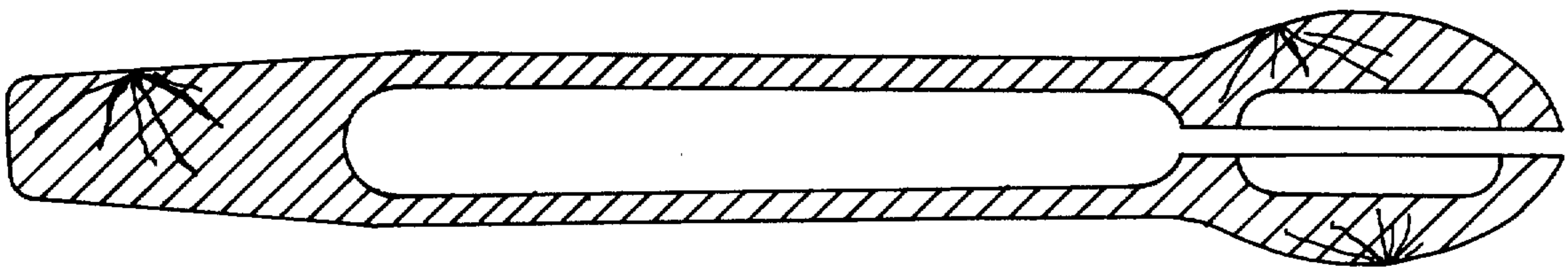
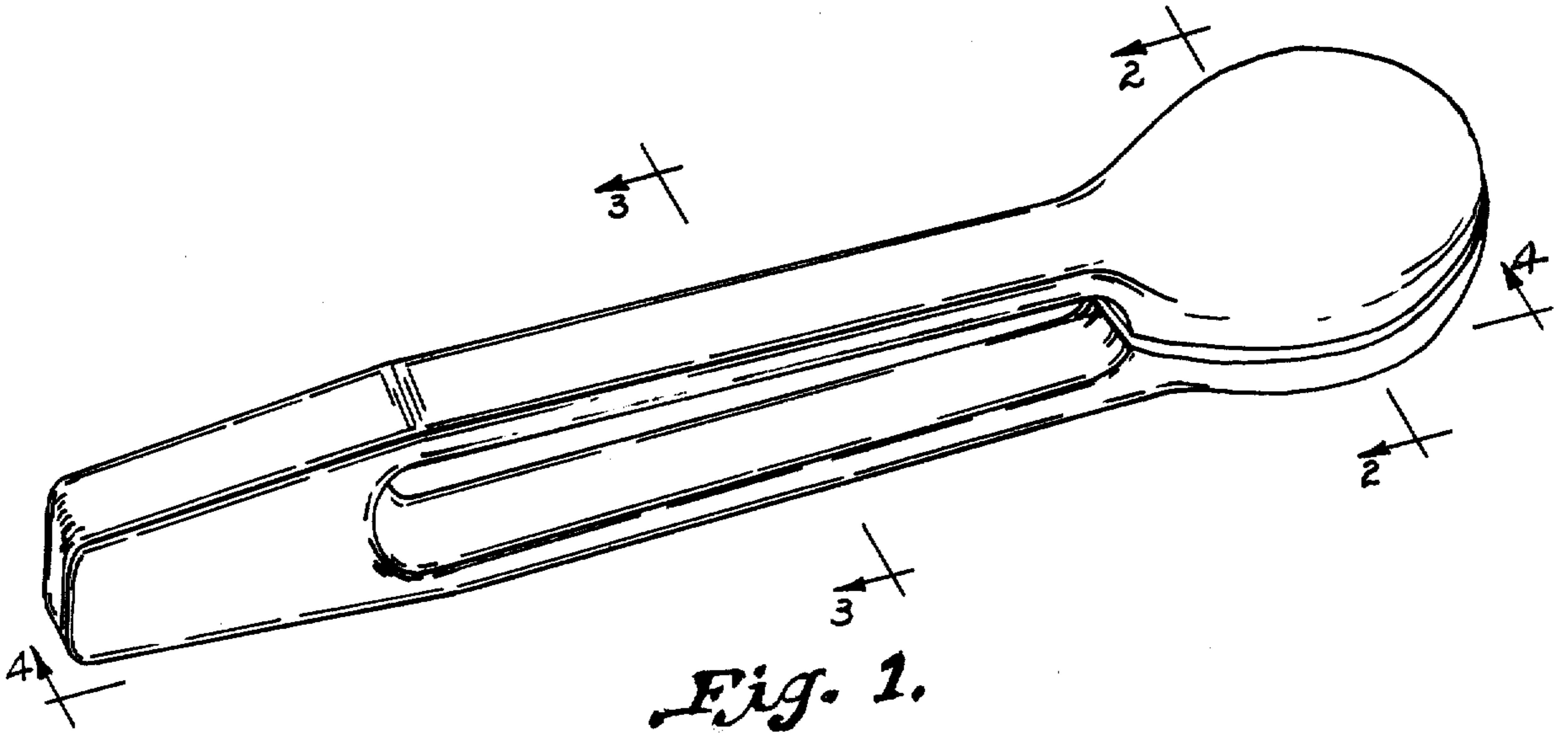


Fig. 4.

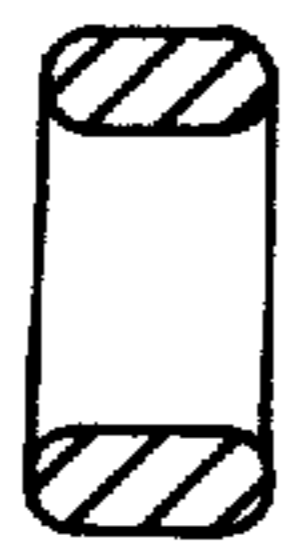


Fig. 3.

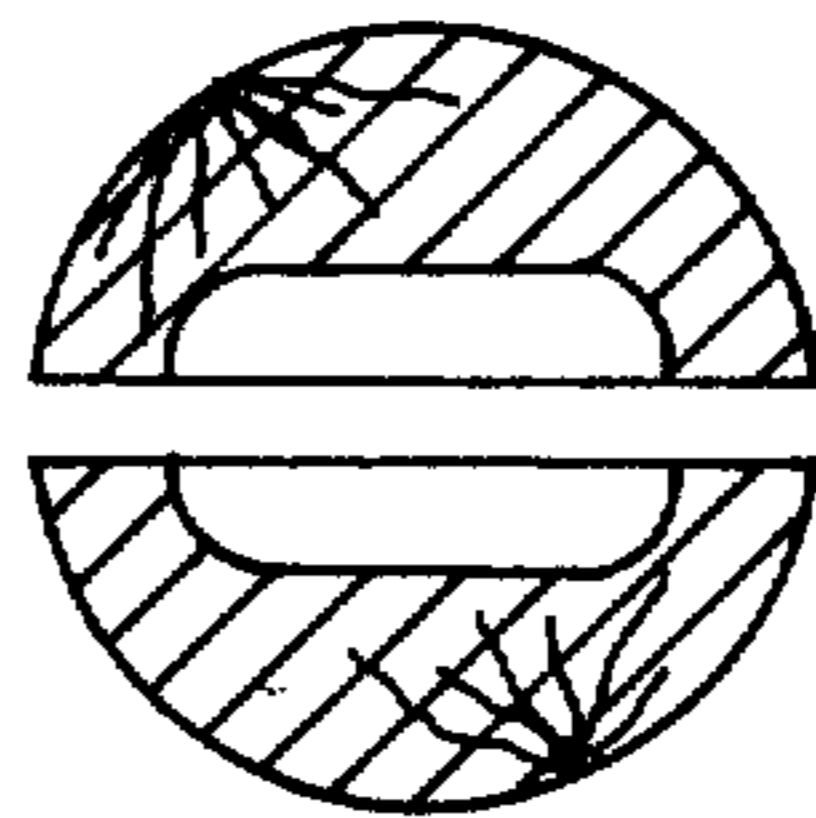


Fig. 2.