

[54] HOT AIR CORN POPPER

[75] Inventor: M. James Wondergem, West Bend, Wis.

[73] Assignee: Dart Industries Inc., Los Angeles, Calif.

[**] Term: 14 Years

[21] Appl. No.: 37,983

[22] Filed: May 11, 1979

[51] Int. Cl. D15-08

[52] U.S. Cl. D15/105

[58] Field of Search D15/105; D7/59, 60, D7/62, 94; 99/323.5, 323.6, 323.7, 323.8, 323.9, 323.11

[56]

References Cited

U.S. PATENT DOCUMENTS

| | | | |
|------------|--------|---------------------|----------|
| D. 256,019 | 7/1980 | Boldt et al. | D15/105 |
| D. 256,467 | 8/1980 | Johnson et al. | D15/105 |
| 3,570,388 | 3/1971 | Gottlieb | 99/323.5 |
| 4,152,974 | 5/1979 | Tienor | 99/323.8 |

Primary Examiner—Catherine E. Kemper
Attorney, Agent, or Firm—Kenneth J. Hovet

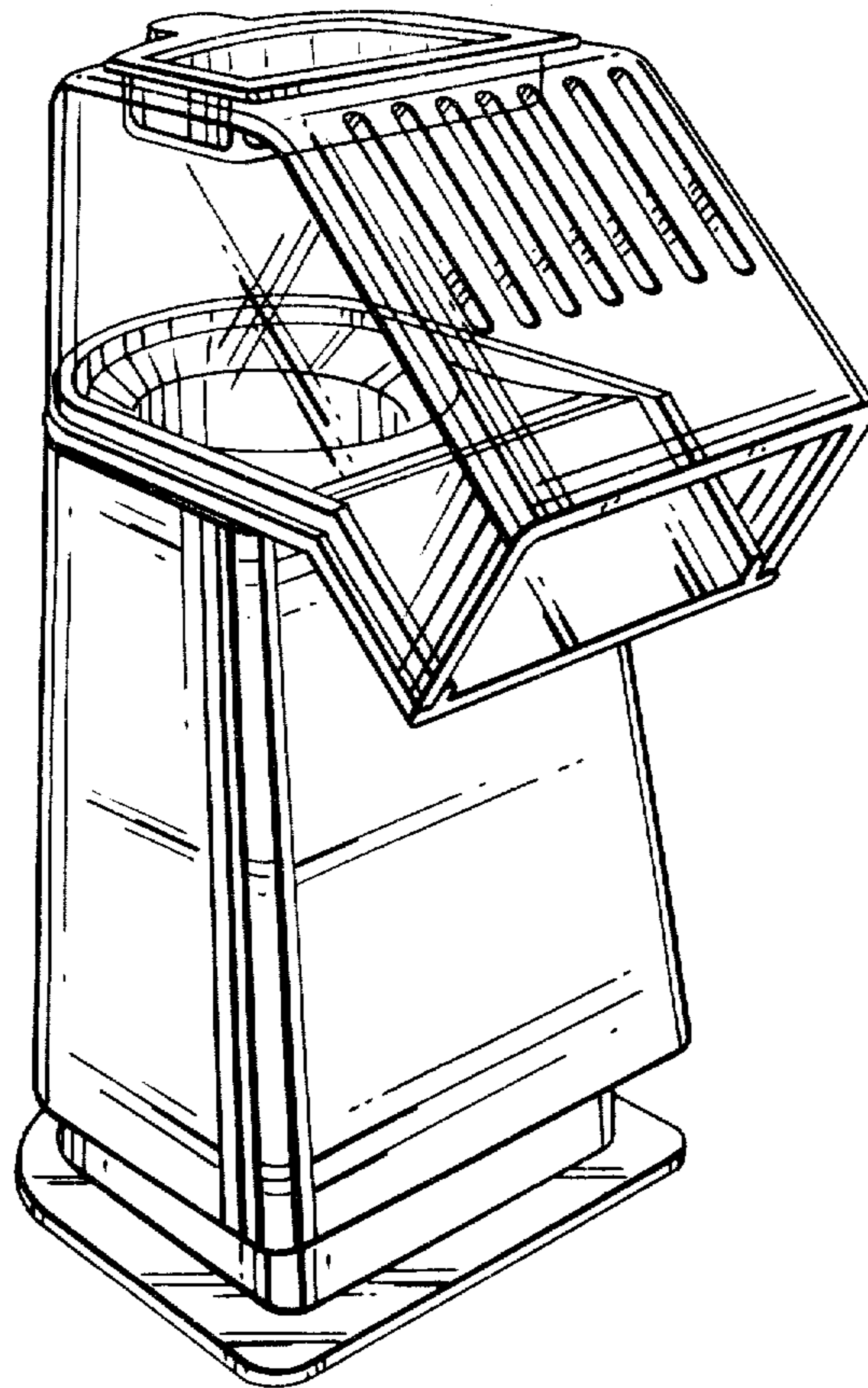
[57]

CLAIM

The ornamental design for a hot air corn popper, substantially as shown.

DESCRIPTION

FIG. 1 is a perspective view of the hot air corn popper showing my new design;
FIG. 2 is a side elevation view thereof;
FIG. 3 is a front elevation view thereof;
FIG. 4 is a back elevation view thereof;
FIG. 5 is a bottom plan view thereof; and,
FIG. 6 is a top plan view thereof.



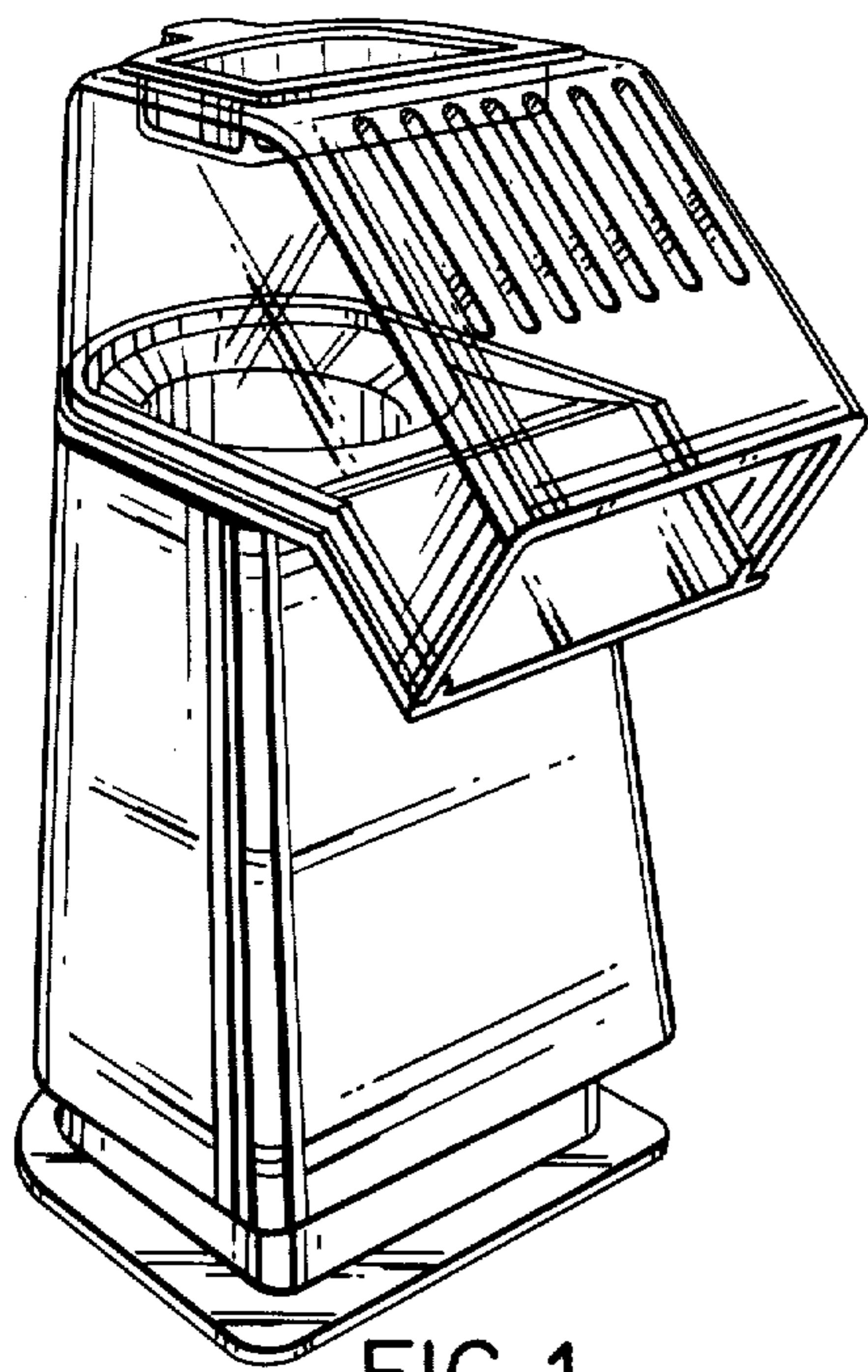


FIG. 1

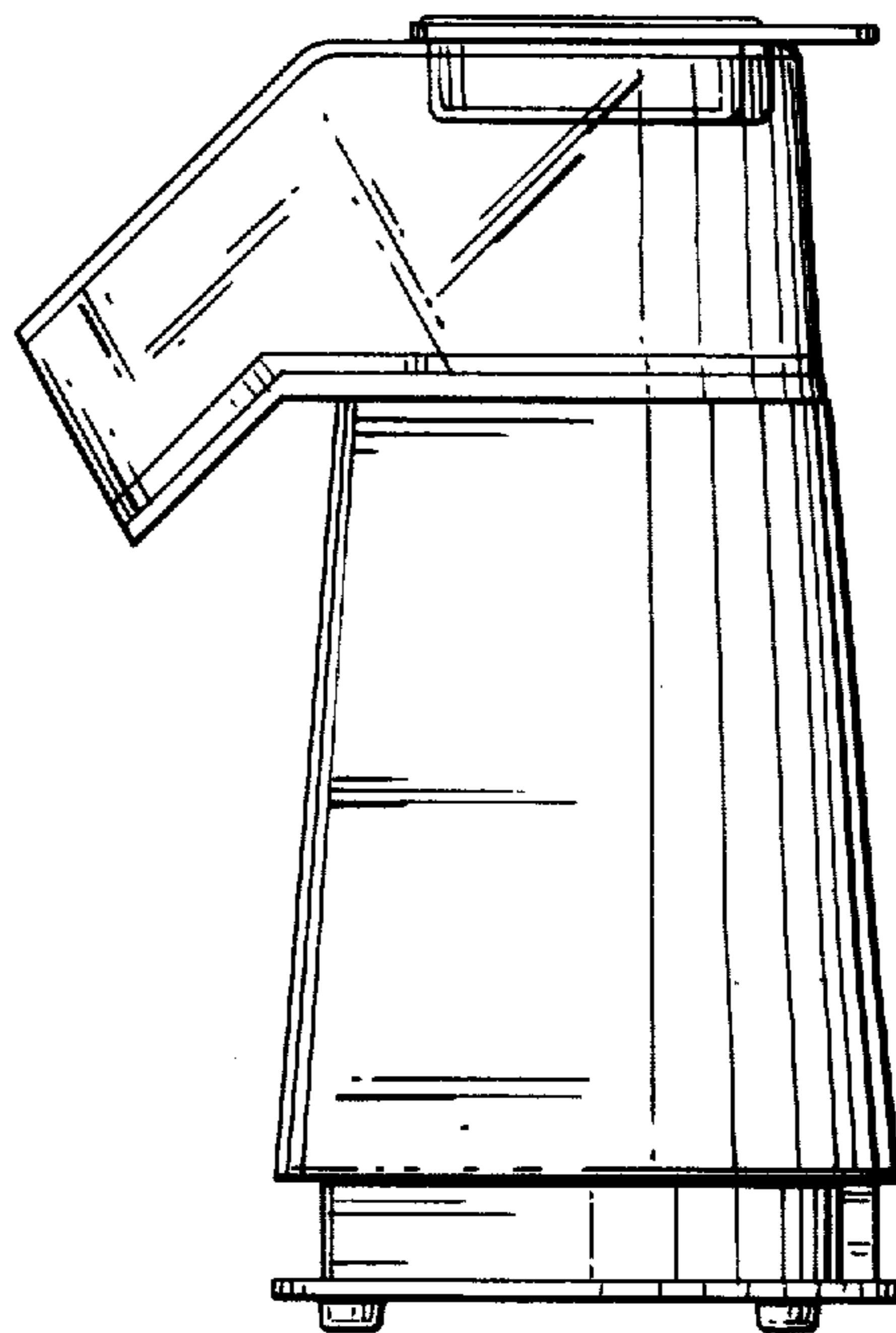


FIG. 2

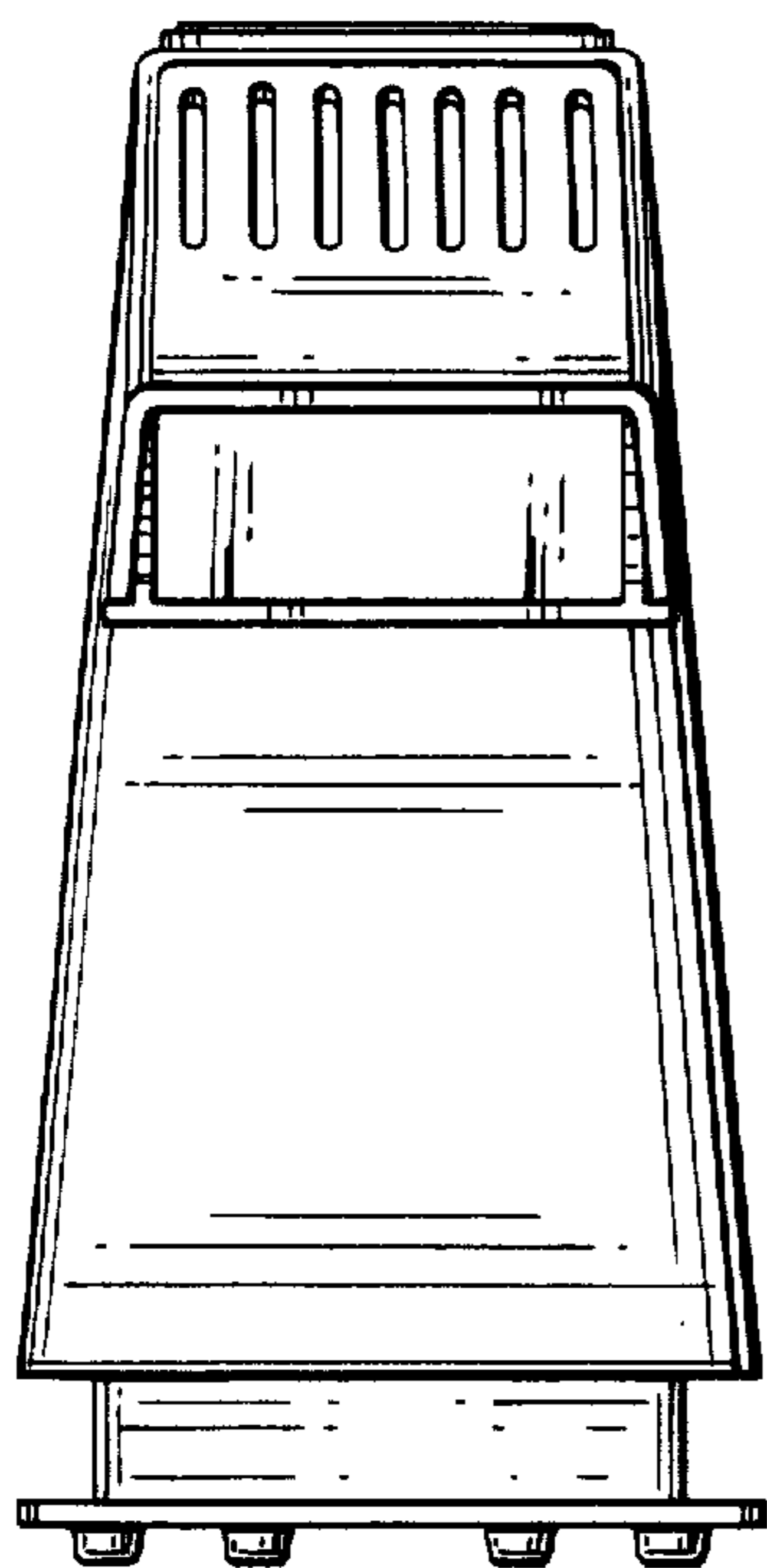


FIG. 3

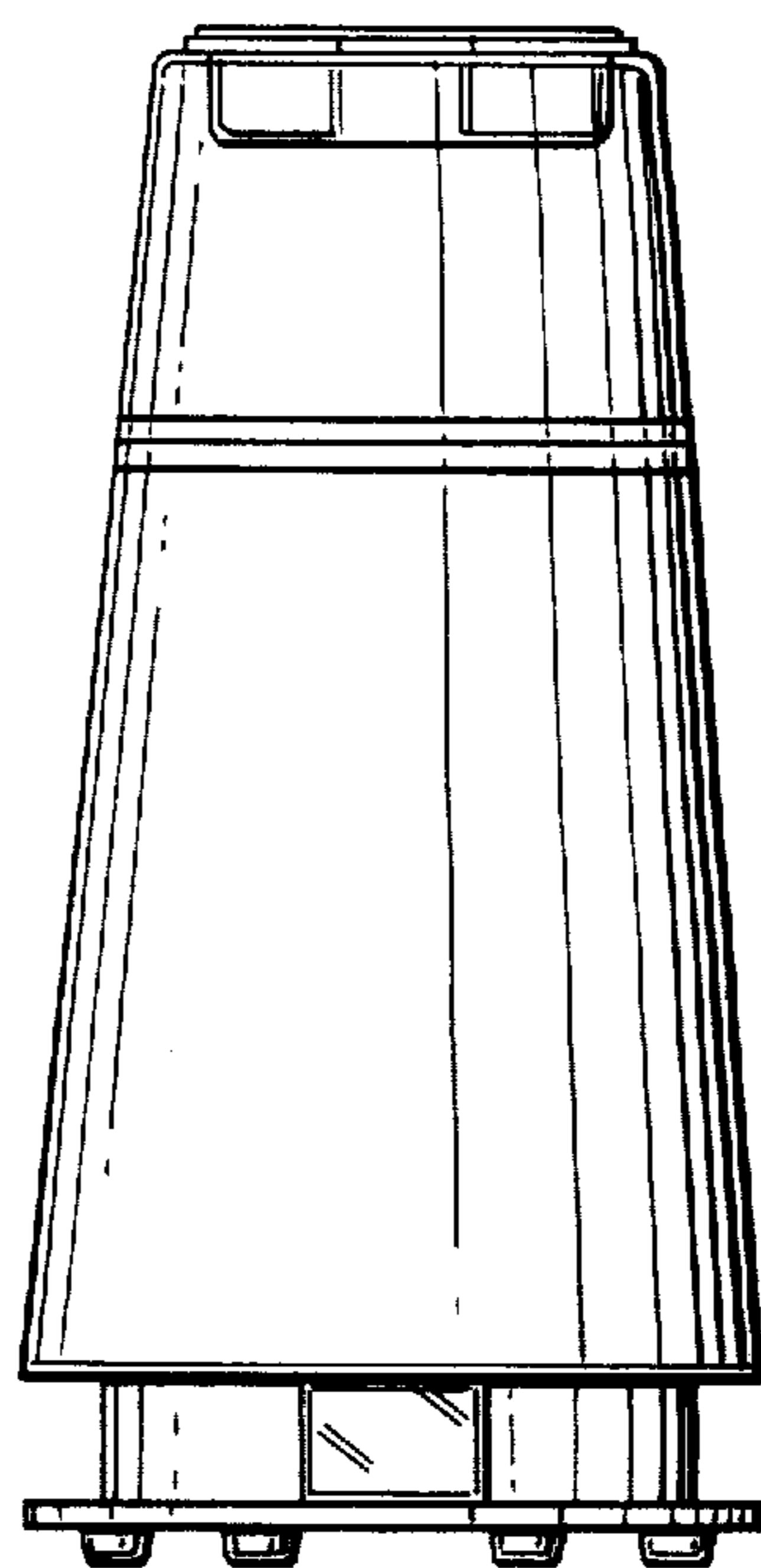


FIG. 4

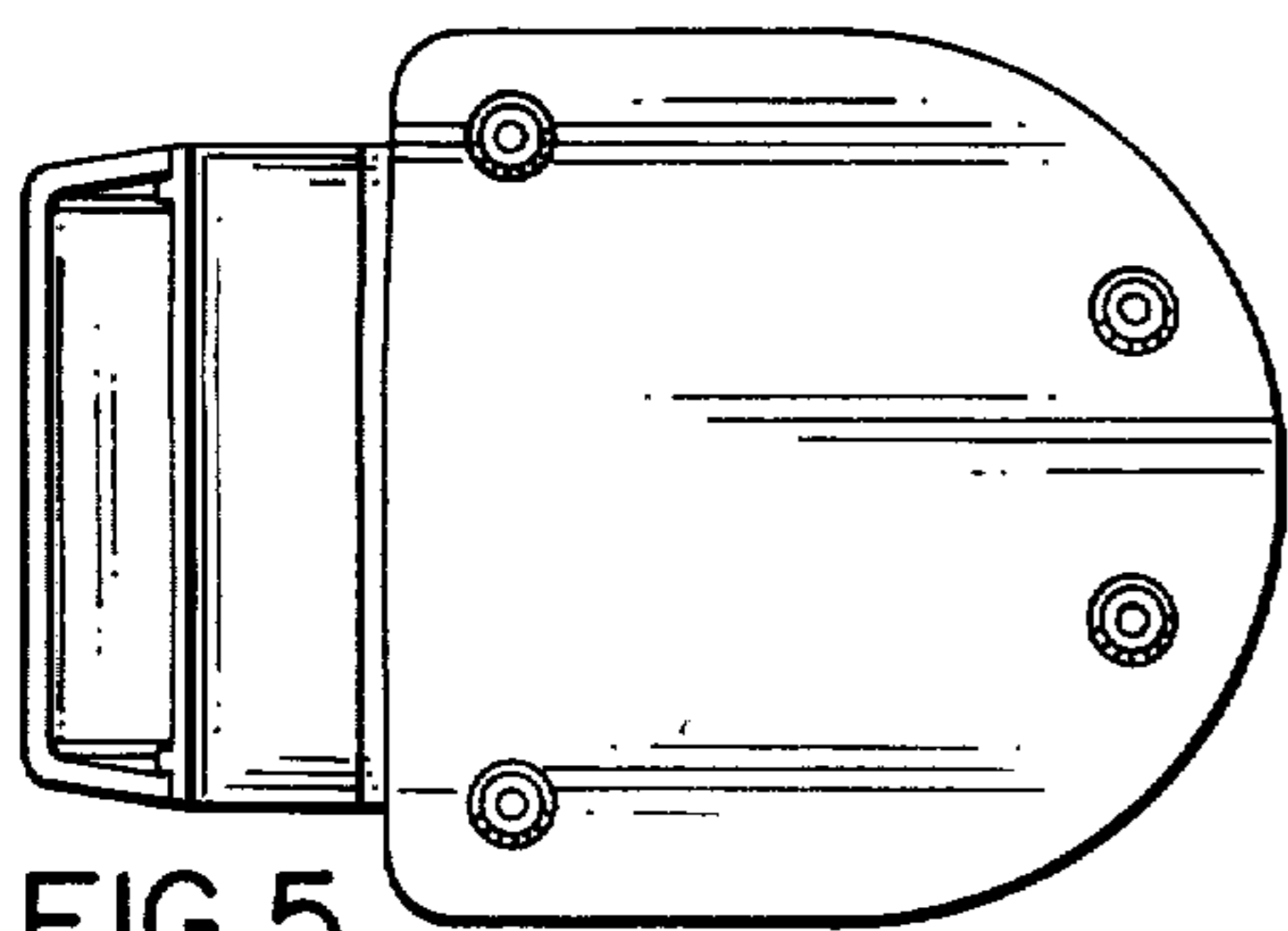


FIG. 5

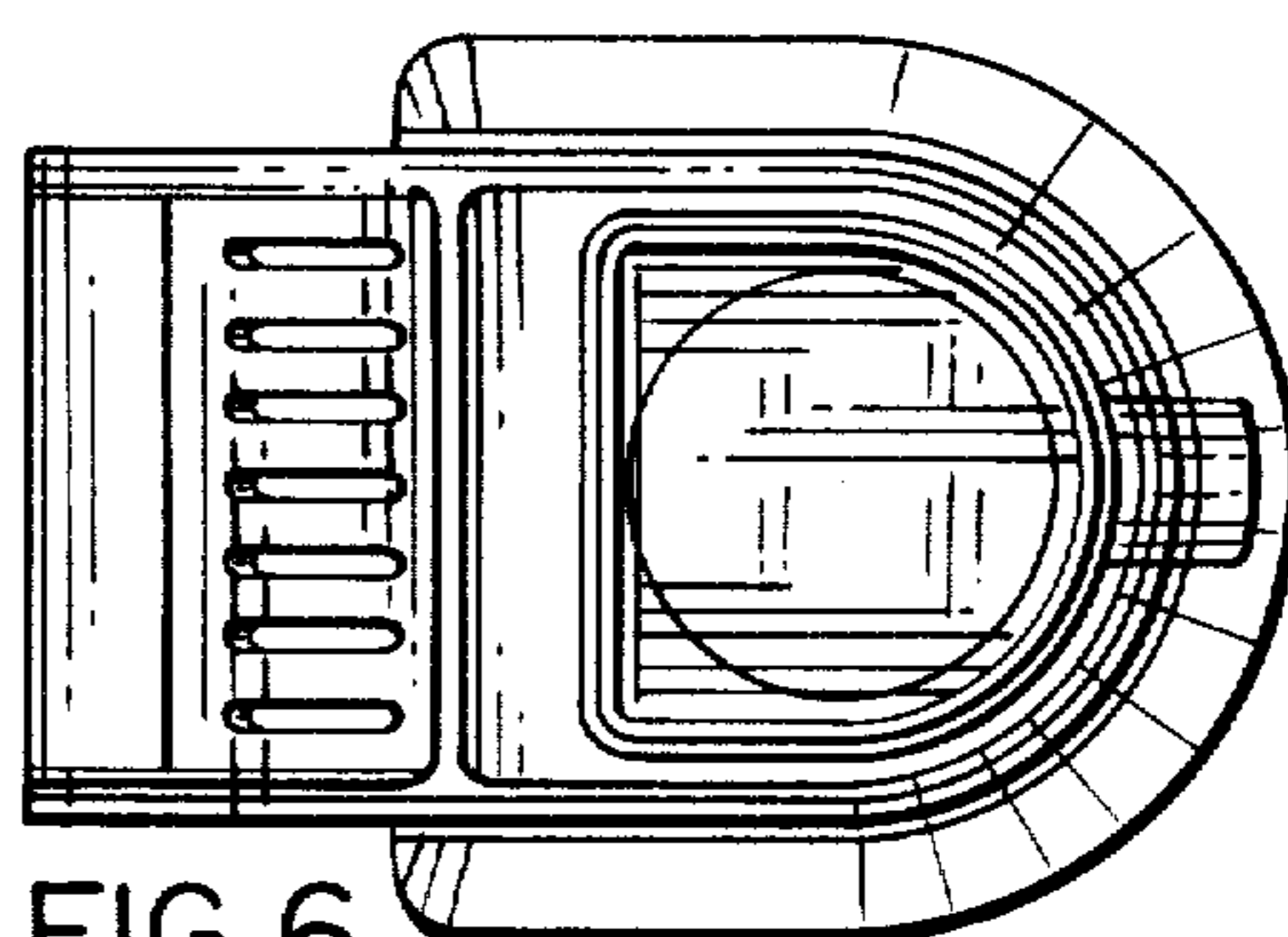


FIG. 6