

[54] SEWING MACHINE

[76] Inventor: Eric J. Marshall, Flat 8, 5 Carlton Gardens, London S.W.1, England

[\*\*] Term: 14 Years

[21] Appl. No.: 23,315

[22] Filed: Mar. 23, 1979

[30] Foreign Application Priority Data

Nov. 25, 1978 [GB] United Kingdom ..... 987429/78

[51] Int. Cl. .... D15-06

[52] U.S. Cl. .... D15/69

[58] Field of Search ..... D15/68, 69, 70, 76, D15/71, 72, 73, 74, 75; 112/258, 259, 260

[56] References Cited

U.S. PATENT DOCUMENTS

D. 153,224	3/1949	Marsac et al. ....	D15/69
D. 235,925	7/1975	Kudo et al. ....	D15/68
1,741,096	12/1929	Christensen et al. ....	112/258
3,204,594	9/1965	Dreyfuss ....	112/258

Primary Examiner—Joel Stearman  
Assistant Examiner—Carmen H. Vales  
Attorney, Agent, or Firm—Schwartz & Weinrieb

[57] CLAIM

The ornamental design for a sewing machine, as shown.

DESCRIPTION

FIG. 1 is a front elevational view of a sewing machine showing my new design;  
FIG. 2 is a rear elevational view thereof;  
FIG. 3 is a top plan view thereof;  
FIG. 4 is a right end elevational view thereof; and  
FIG. 5 is a left end elevational view thereof.

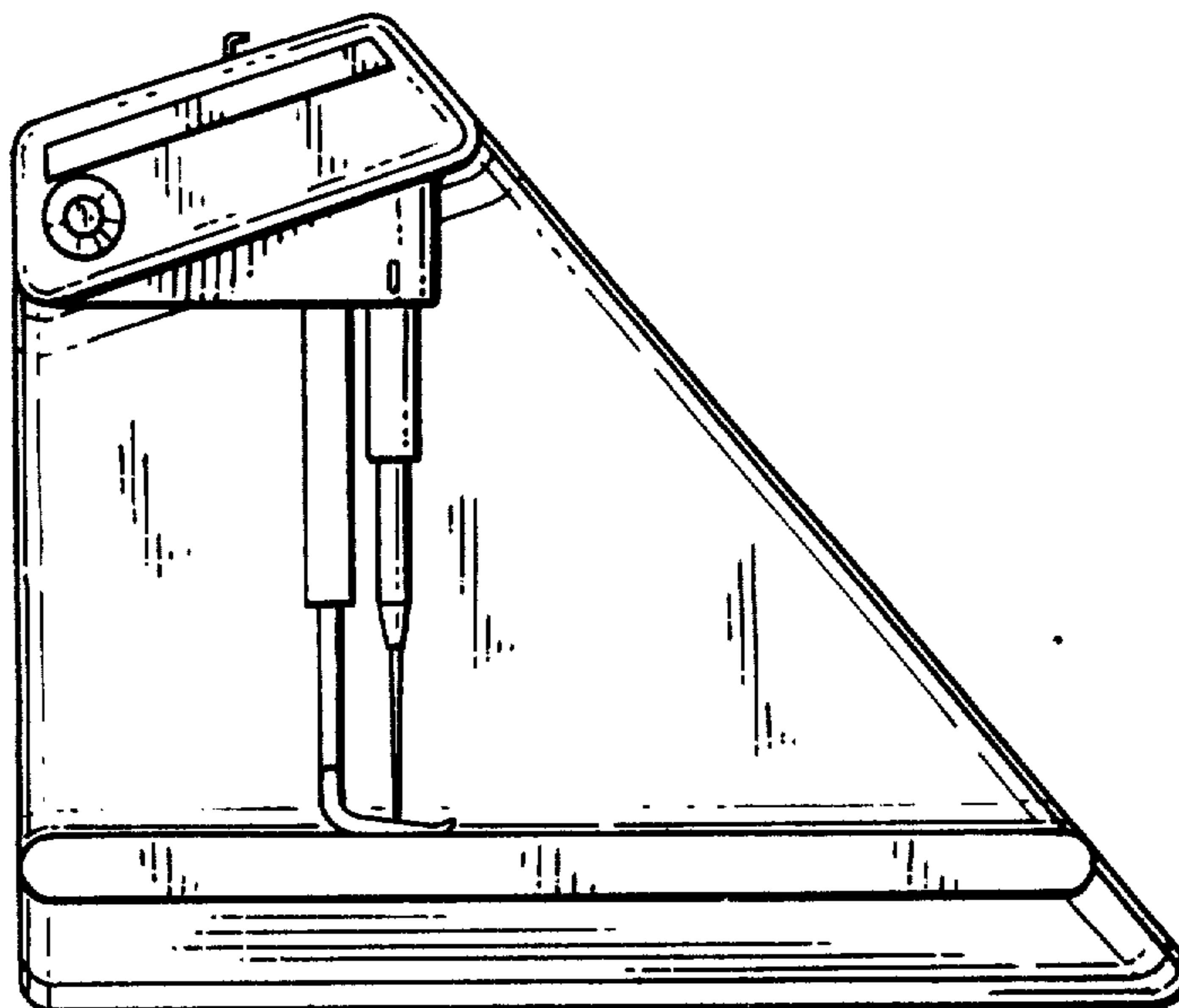
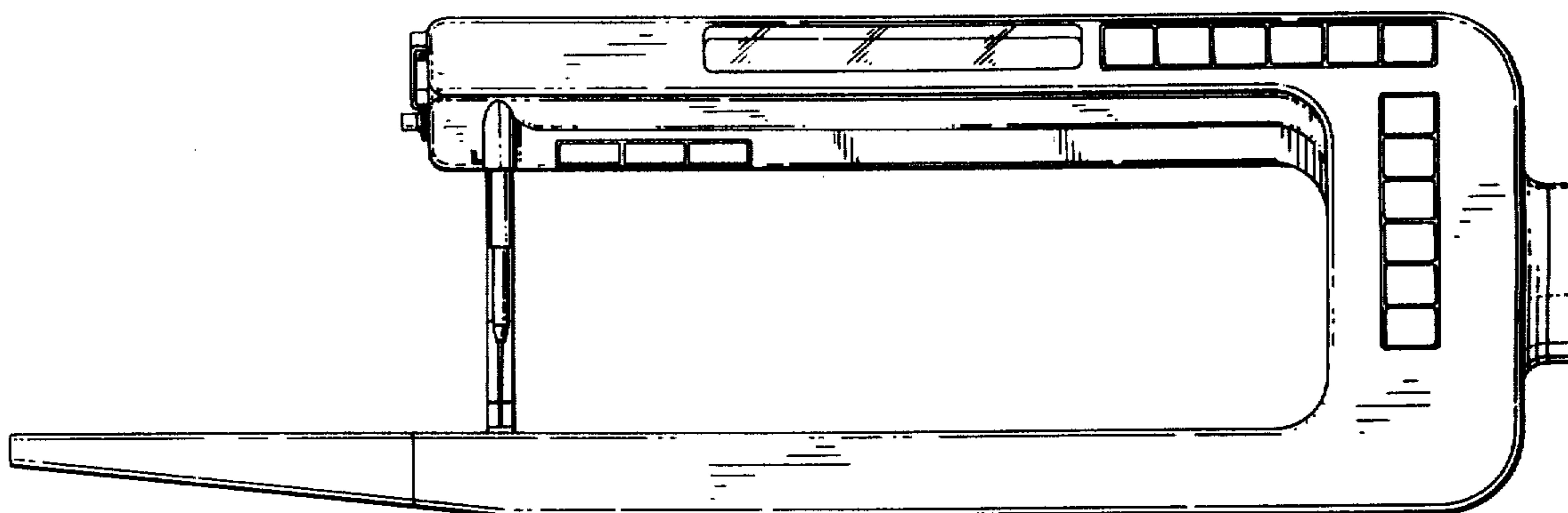


FIG. 1

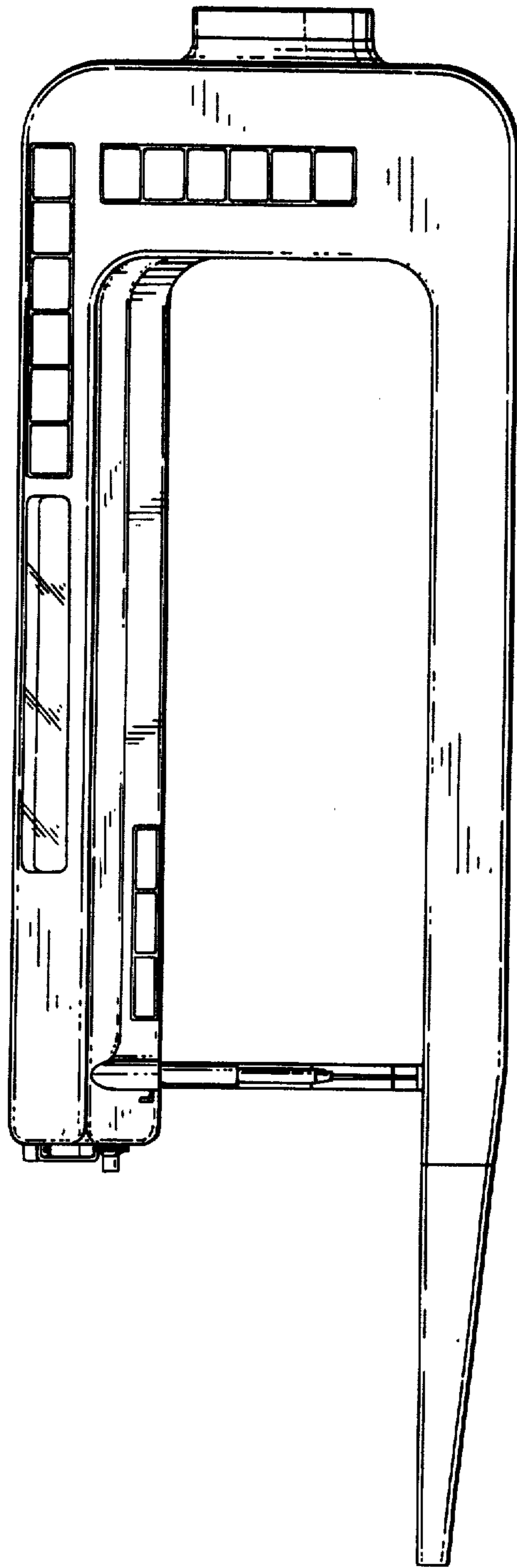


FIG. 2

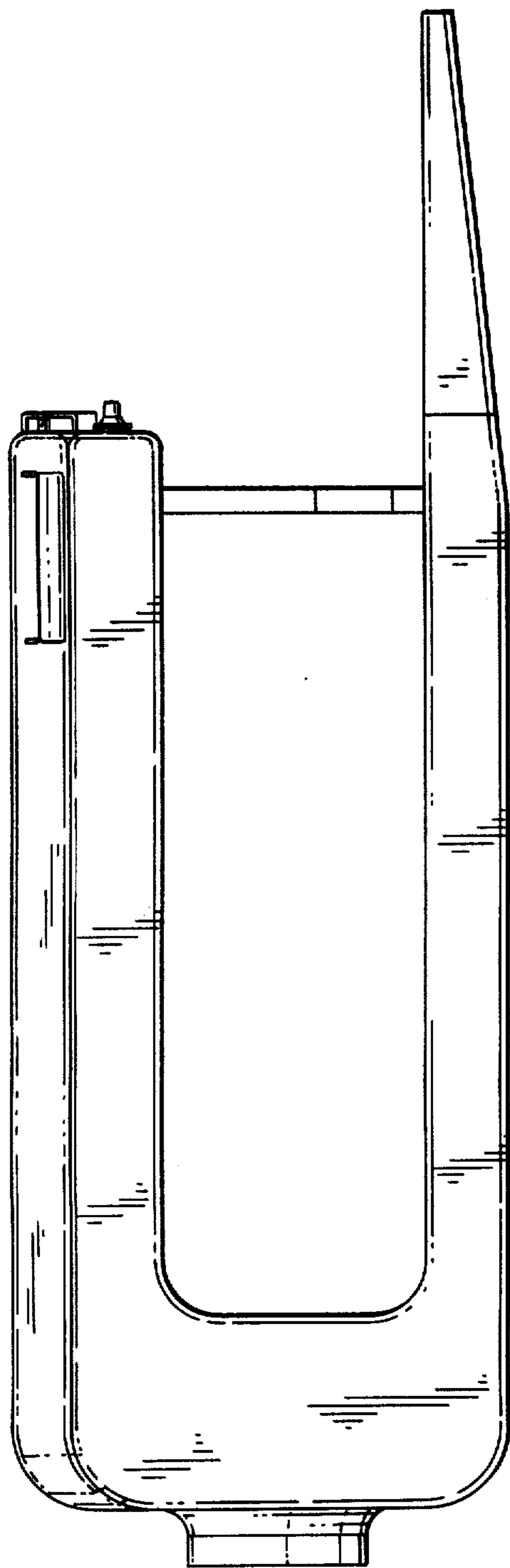


FIG. 3

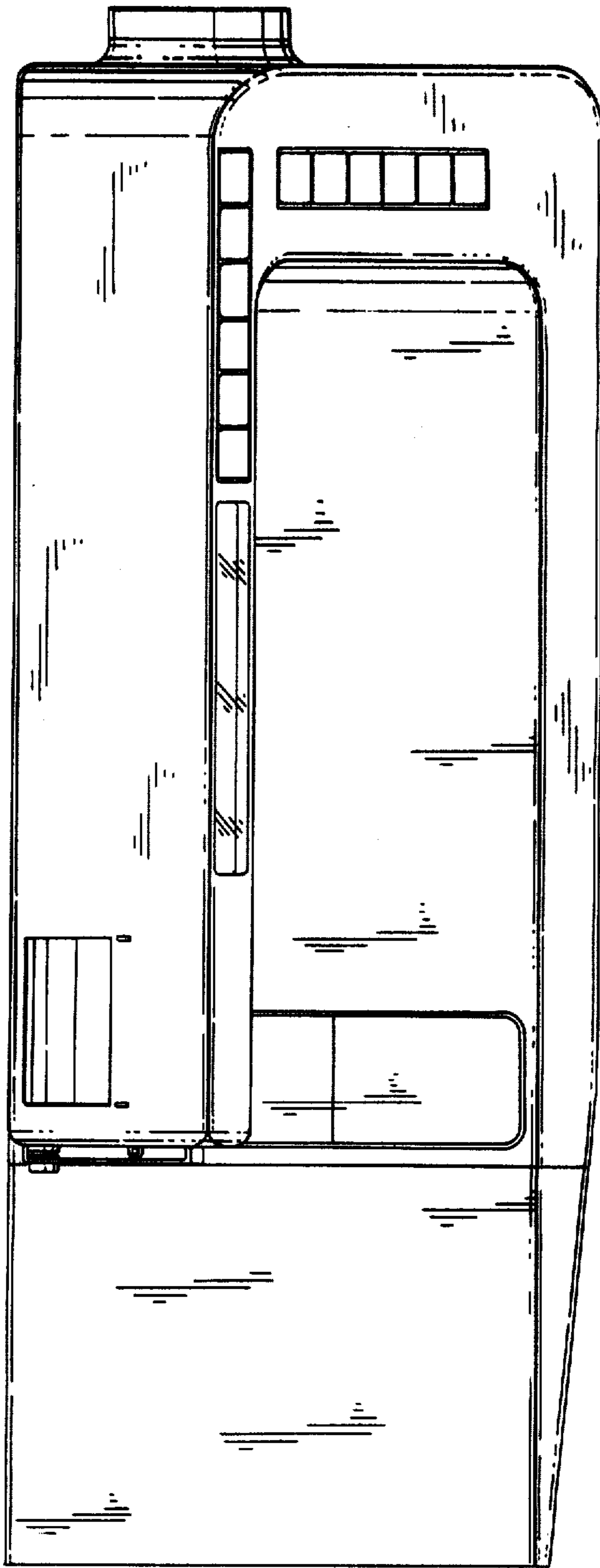


FIG. 4

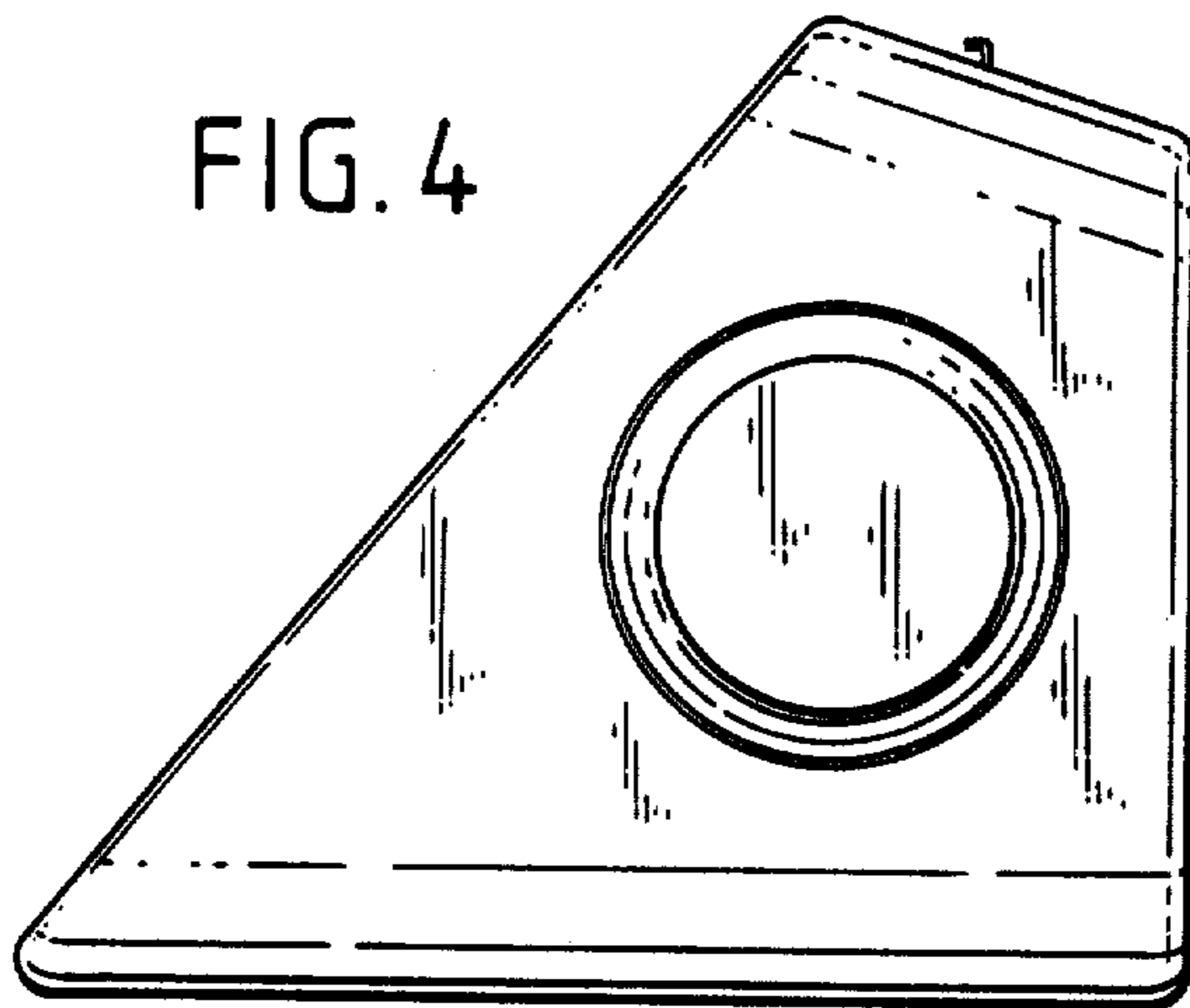


FIG. 5

