

[54] CAMERA FOR VIDEO TAPE RECORDER

[75] Inventors: Taisuke Saeki; Masaharu Katayama; Yoshinobu Kitakaze; Noriyuki Arai; Hideo Takahashi; Koya Kurokawa; Norihiko Shimose, all of Saijyo, Japan

[73] Assignee: Matsushita Electric Industrial Co., Ltd., Kadoma, Japan

[**] Term: 14 Years

[21] Appl. No.: 968,246

[22] Filed: Dec. 11, 1978

[30] Foreign Application Priority Data

Jun. 9, 1978 [JP] Japan 53-24068

[51] Int. Cl. D14-03

[52] U.S. Cl. D14/78

[58] Field of Search D14/78, 1, 99; D16/1-4, 6, 9, 10

[56] References Cited

U.S. PATENT DOCUMENTS

D. 187,248 2/1960 Sampson D14/78
D. 199,508 11/1964 Kubnick D16/4

D. 211,420 6/1968 Bozarth D14/78
D. 243,171 1/1977 Sakashita D16/1

OTHER PUBLICATIONS

Retailing Home Furnishings, 1-13-77, p. 26, left-most column, 2nd from top item, JVC Color TV Camera.

Primary Examiner—Jane E. Corrigan
Attorney, Agent, or Firm—Sughrue, Rothwell, Mion, Zinn and Macpeak

[57] CLAIM

The ornamental design for a camera for video tape recorder, as shown.

DESCRIPTION

FIG. 1 is a front, top and right side perspective view of a camera for video tape recorder showing our new design;

FIG. 2 is a rear, bottom, and left side perspective view thereof;

FIG. 3 is a front elevational view thereof;

FIG. 4 is a rear elevational view thereof;

FIG. 5 is a top plan view thereof;

FIG. 6 is a bottom plan view thereof;

FIG. 7 is a left side elevational view thereof;

FIG. 8 is a right side elevational view thereof.

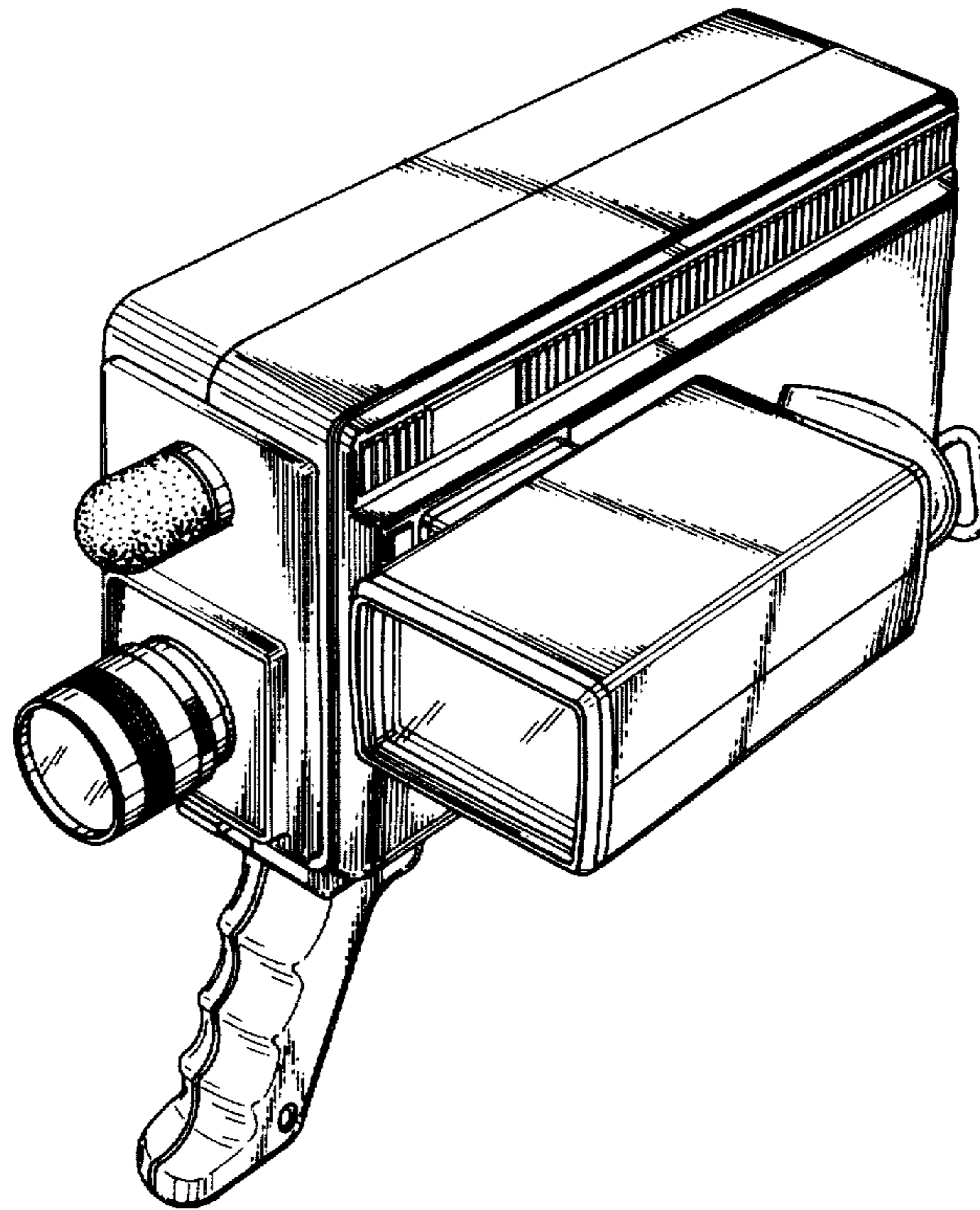


Fig. 1

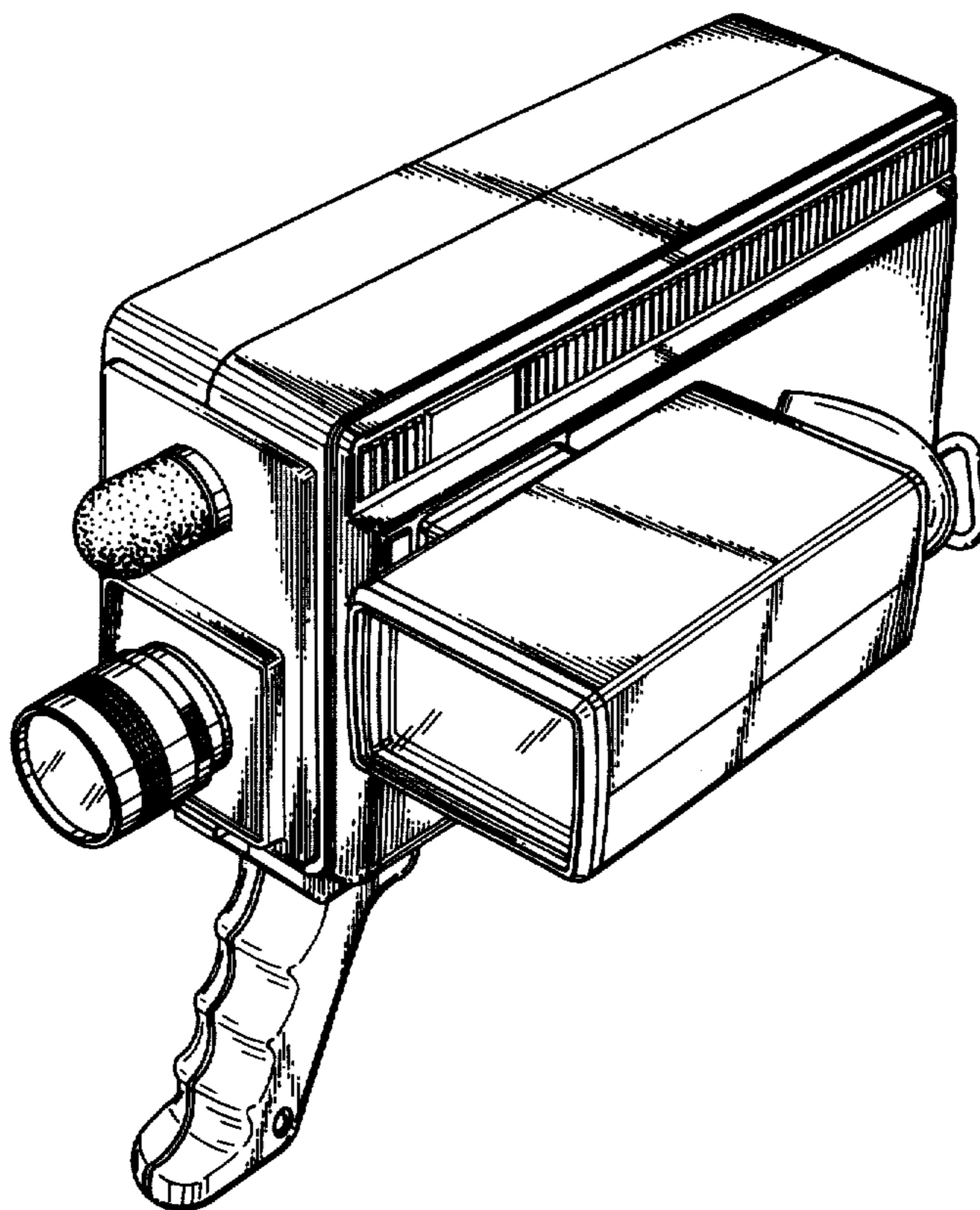


Fig. 2

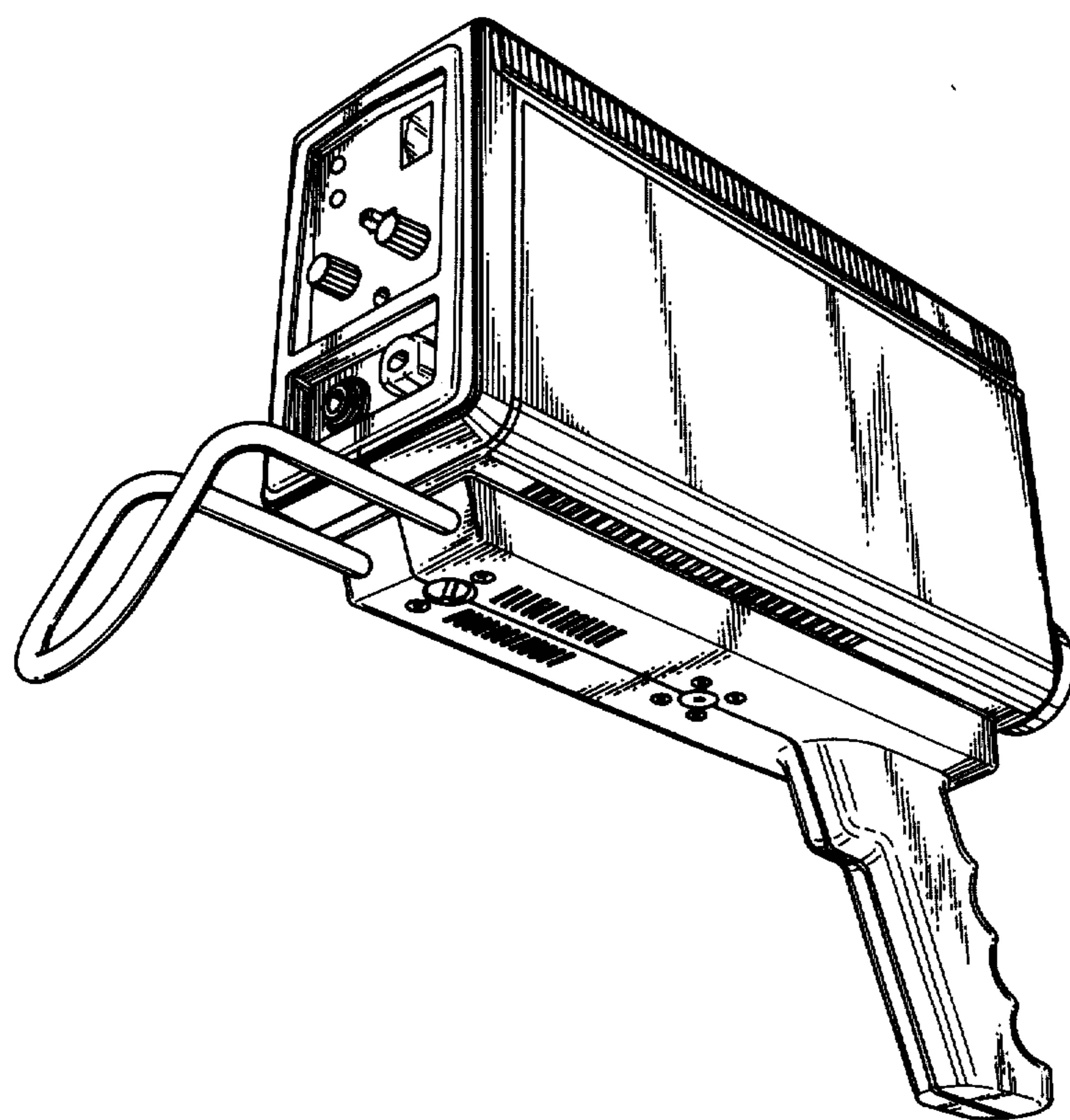


Fig. 3

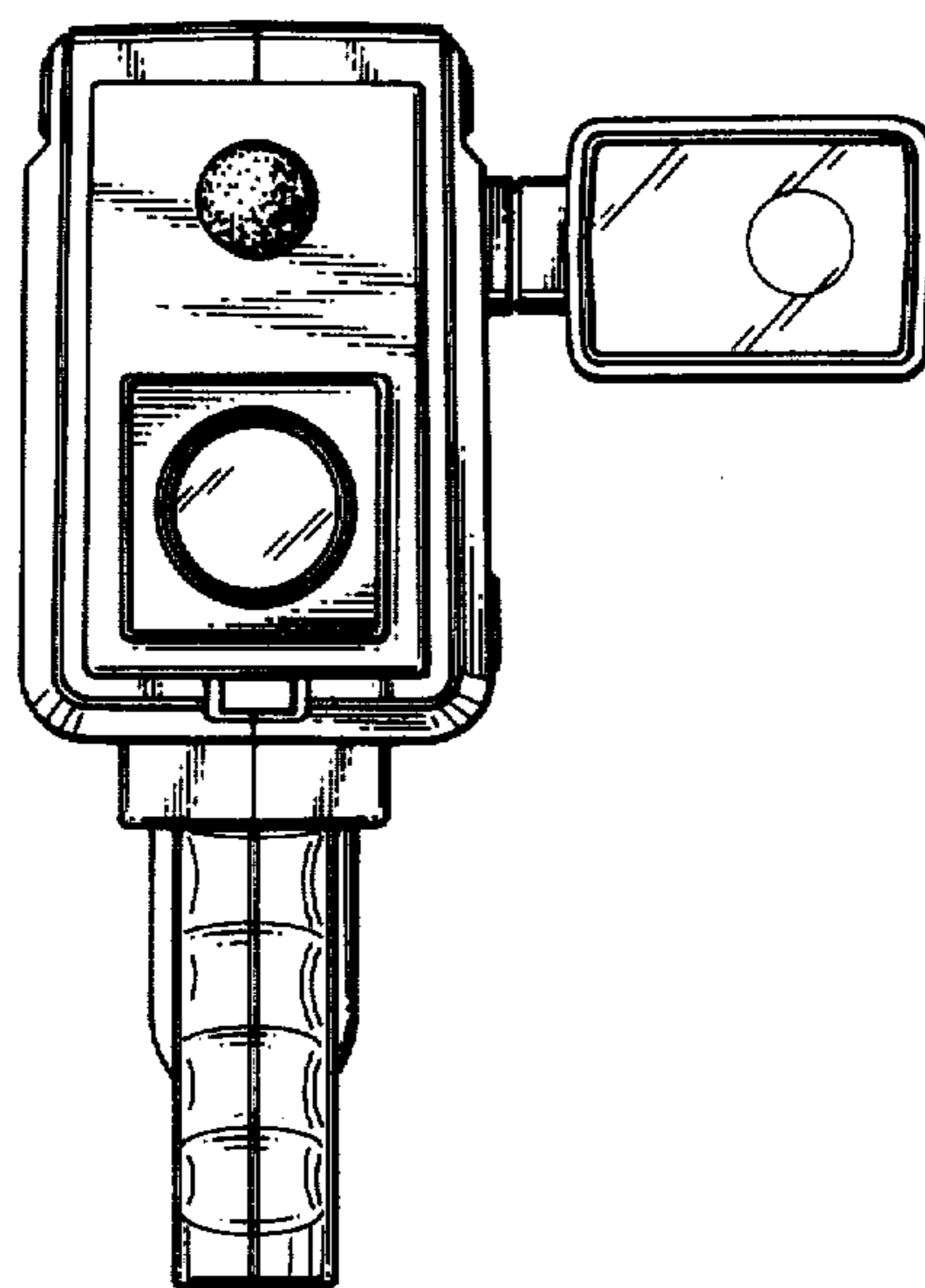


Fig. 4

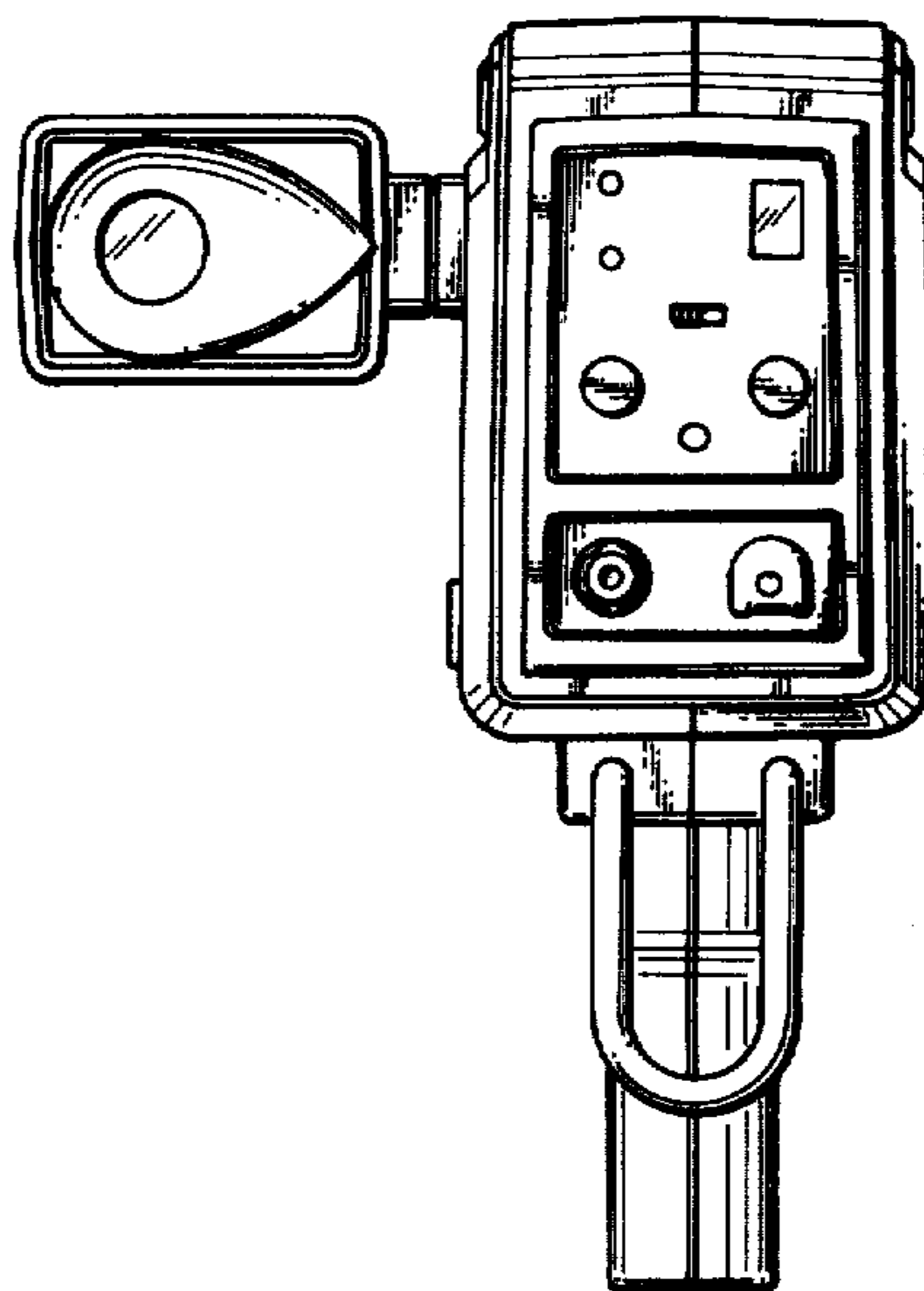


Fig. 5

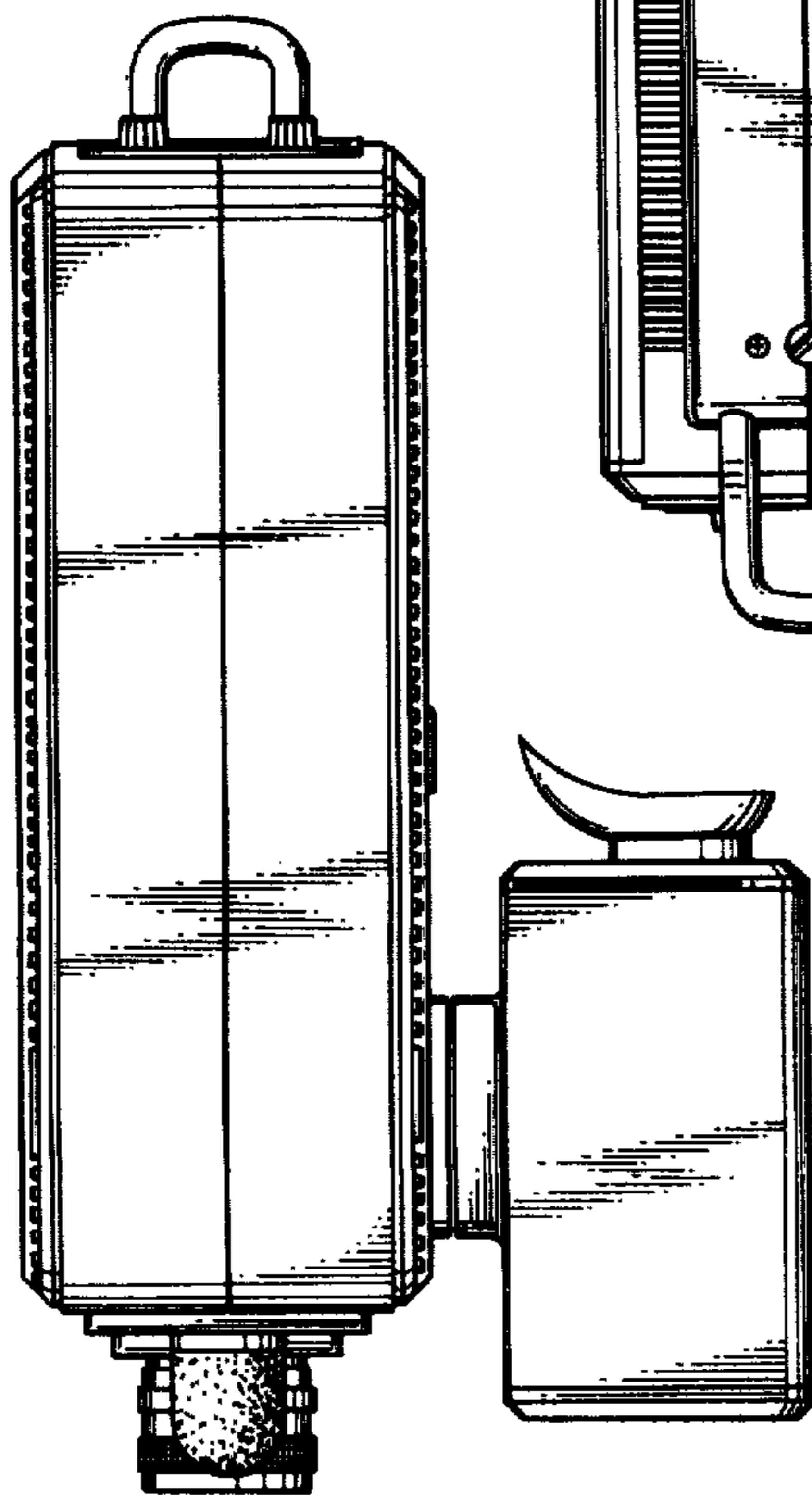


Fig. 6

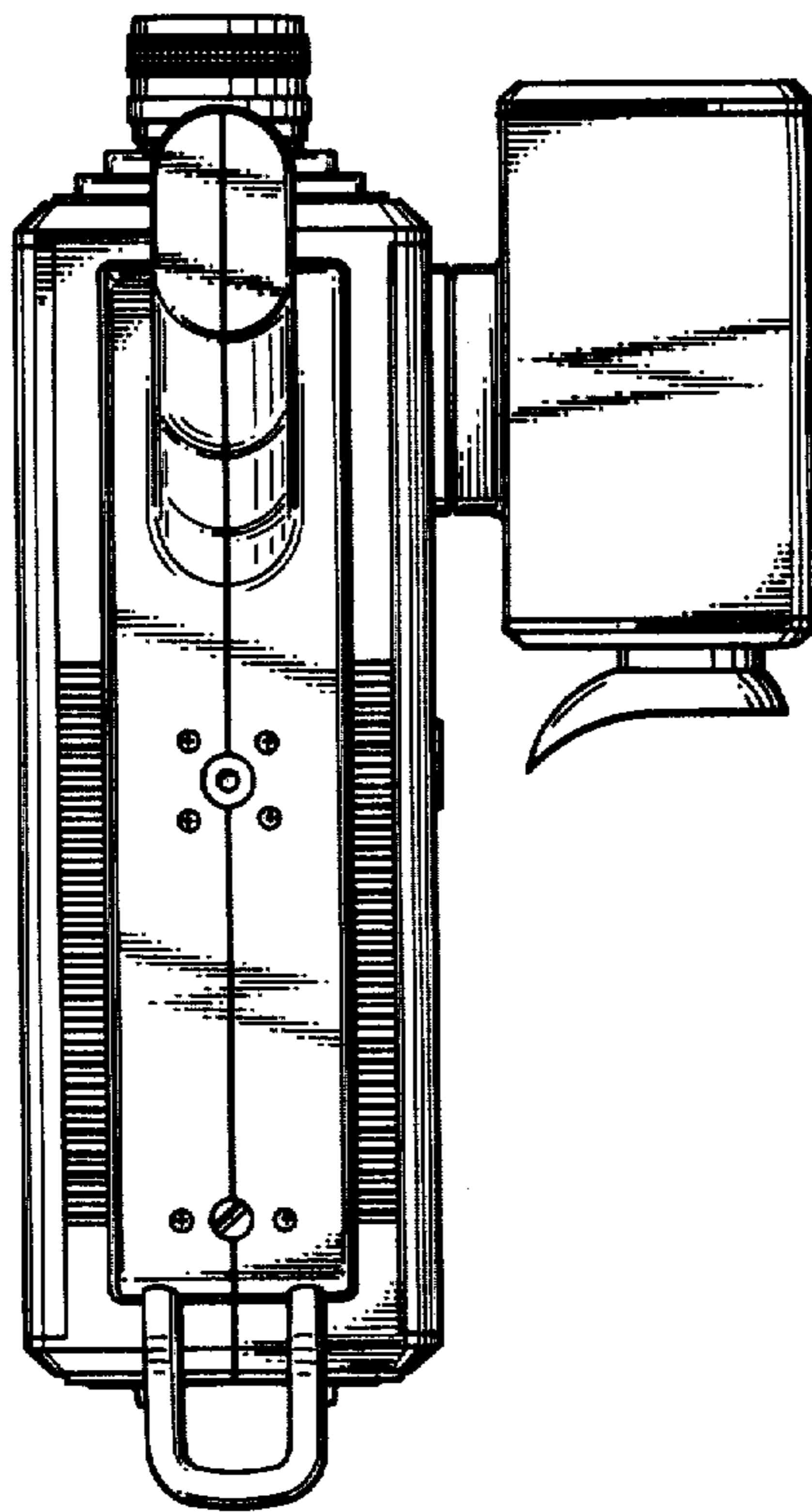


Fig. 7

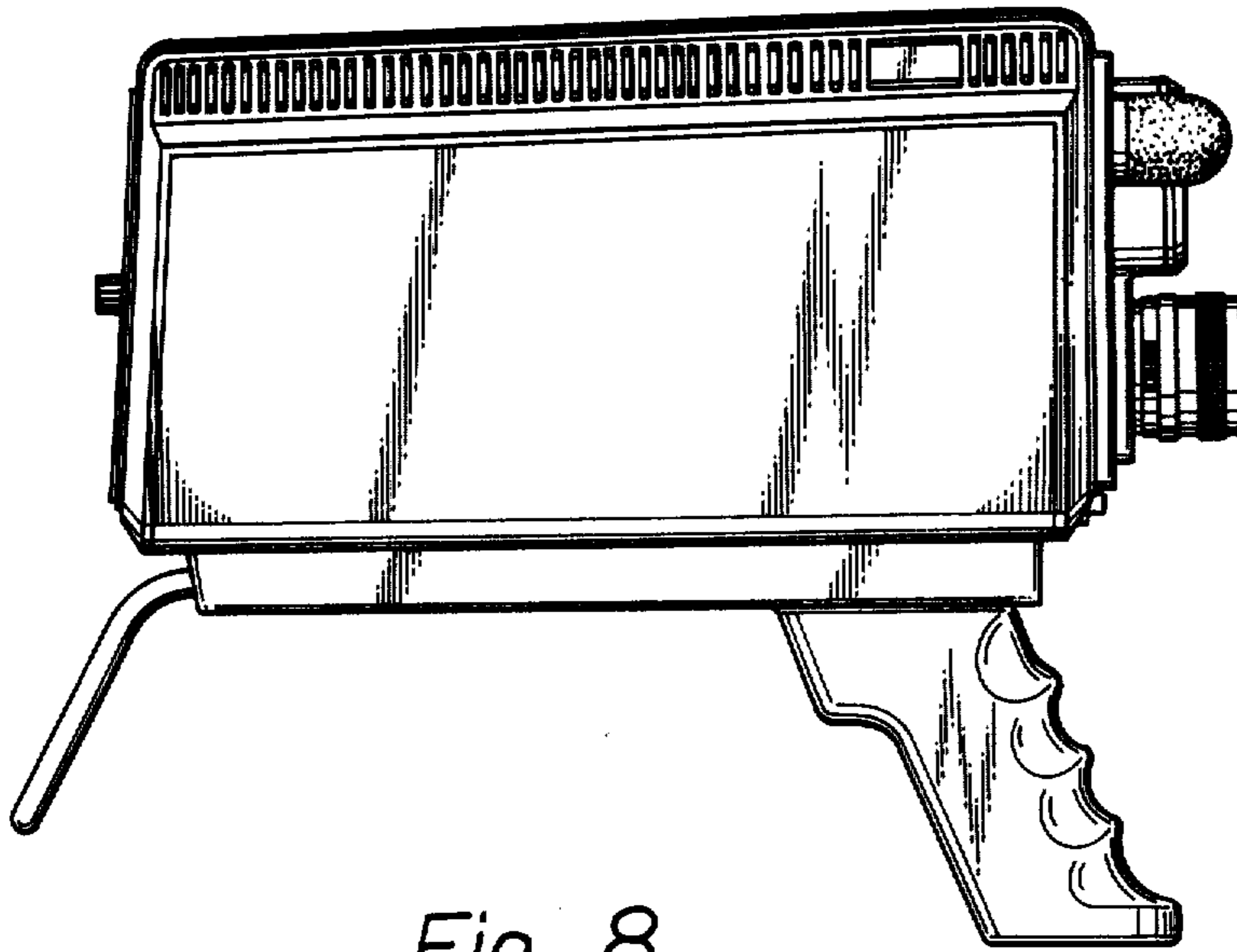


Fig. 8

