

[54] SIDE PANELS ASSEMBLY FOR READILY DISASSEMBLED INSTRUMENT HOUSING

[75] Inventor: Peter A. Peroni, Pottstown, Pa.
[73] Assignee: LaFrance Corporation, Philadelphia, Pa.

[**] Term: 14 Years

[21] Appl. No.: 37,673

[22] Filed: May 10, 1979

[51] Int. Cl. D14-99; D10-07

[52] U.S. Cl. D14/114; D10/80; D13/41

[58] Field of Search D10/60, 75, 80, 103; D13/12, 40, 41, 99; D14/40; 174/50, 52; 220/3.2, 3.94, 4 R, 4 A, 4 B, 4 E; 361/331, 380, 390, 391, 392

[56] References Cited

U.S. PATENT DOCUMENTS

D. 251,369	3/1979	Katzmann et al.	D10/80
4,089,464	5/1978	Teti, Jr. et al.	220/4 A
4,090,632	5/1978	Katzmann et al.	220/4 R

OTHER PUBLICATIONS

Electronic Technician/Dealer Oct. 1977, p. 36.

Primary Examiner—Peter M. Caun

Attorney, Agent, or Firm—Connolly and Hutz

[57] CLAIM

The ornamental design for the side panels assembly for

readily disassembled instrument housing, substantially as shown and described.

DESCRIPTION

FIG. 1 is a front elevation view of one of the side panels in the assembly of my new design;

FIG. 2 is a bottom plan view of the side panel shown in FIG. 1;

FIG. 3 is a rear elevation of the side panel shown in FIGS. 1-2;

FIG. 4 is an end elevation view of the side panel shown in FIGS. 1-3;

FIG. 5 is a cross-sectional view taken through FIG. 1 along the line 5-5;

FIG. 6 is a front elevation view of another of the side panels of the assembly in accordance with my design;

FIG. 7 is a bottom plan view of the side panel shown in FIG. 6;

FIG. 8 is a rear elevation view of the side panel shown in FIGS. 6-7;

FIG. 9 is an end elevation view of the side panel shown in FIGS. 6-8;

FIG. 10 is a cross-sectional view taken through FIG. 6 along the line 10-10;

FIG. 11 is a top plan view of the assembly of my design incorporating the side panels of FIGS. 1-10 and showing the instrument housing and handle in phantom;

FIG. 12 is an elevation view of the assembly incorporating the two panels shown in FIGS. 1-10 with the instrument housing and handle shown in phantom and with the insert located between the panels also shown in phantom; and

FIG. 13 is an end elevation view of the assembly shown in FIGS. 11-12.

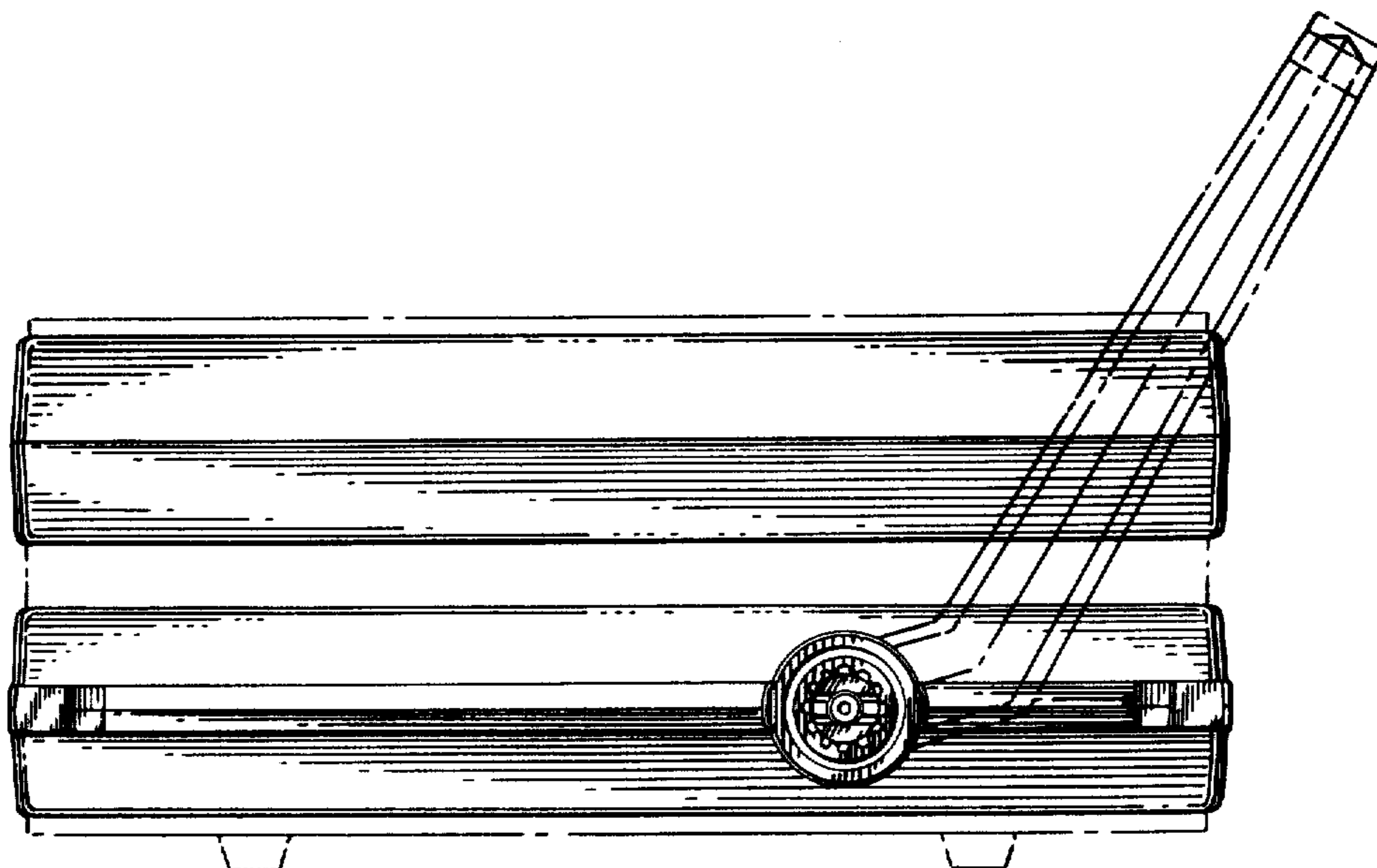


Fig. 1.

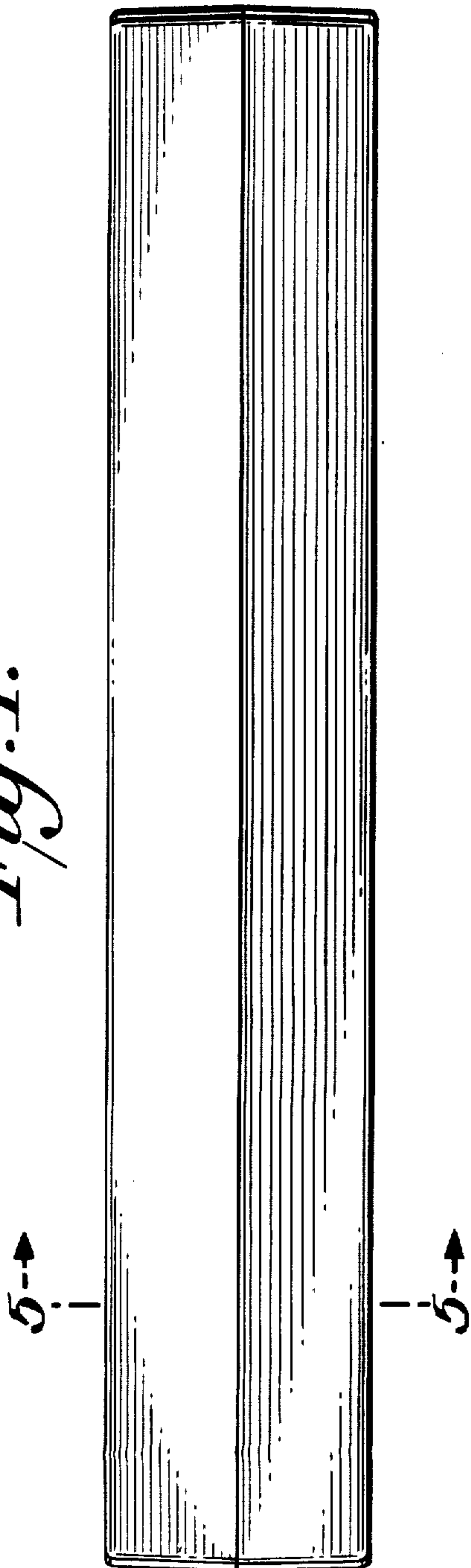


Fig. A.



Fig. 2.

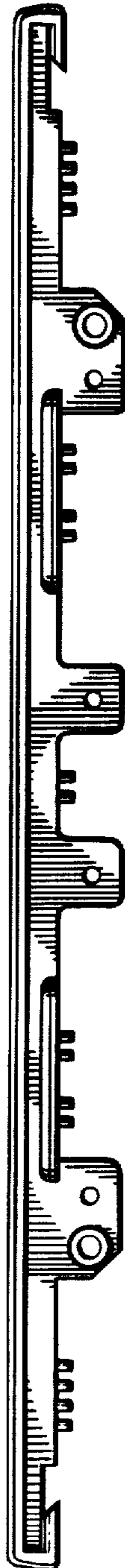


Fig. B.

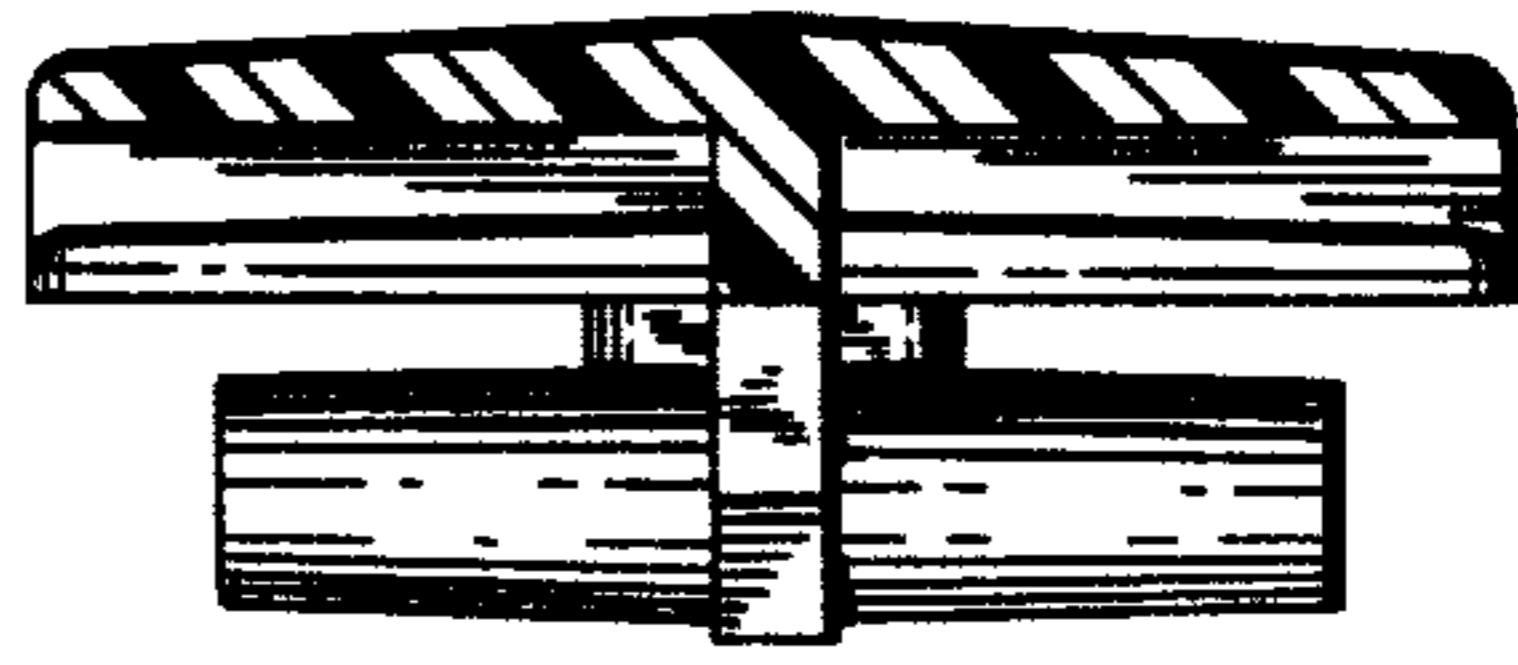


Fig. 3.

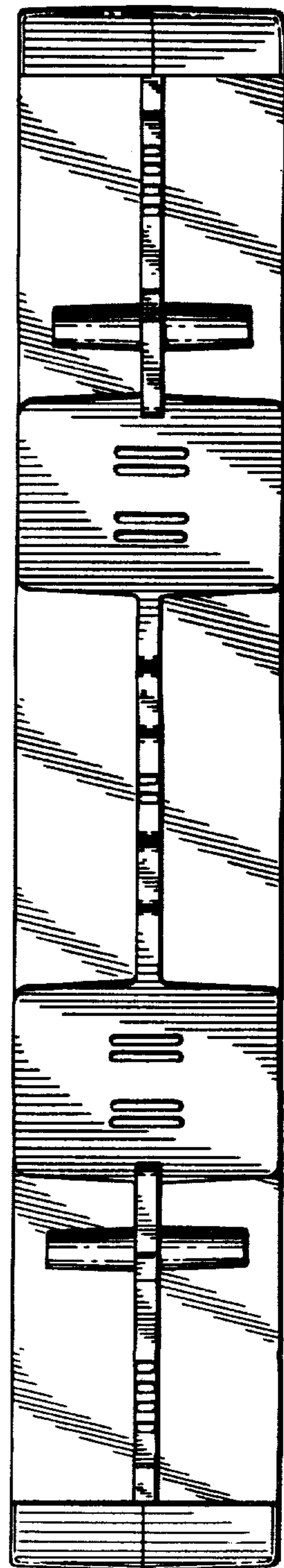


Fig. 9.

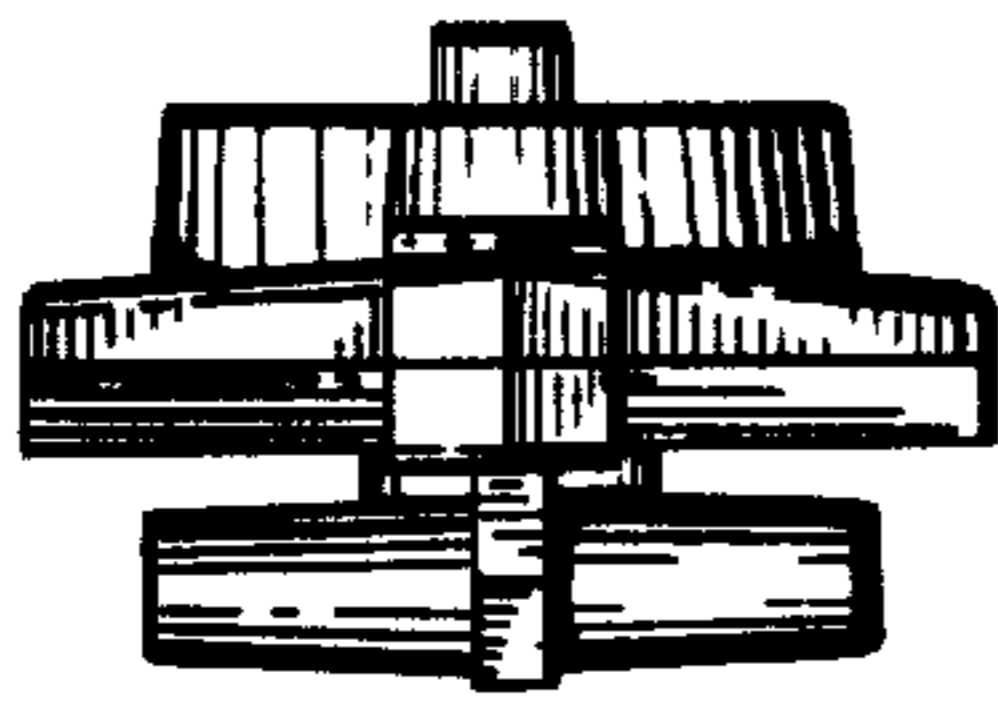


Fig. 10.

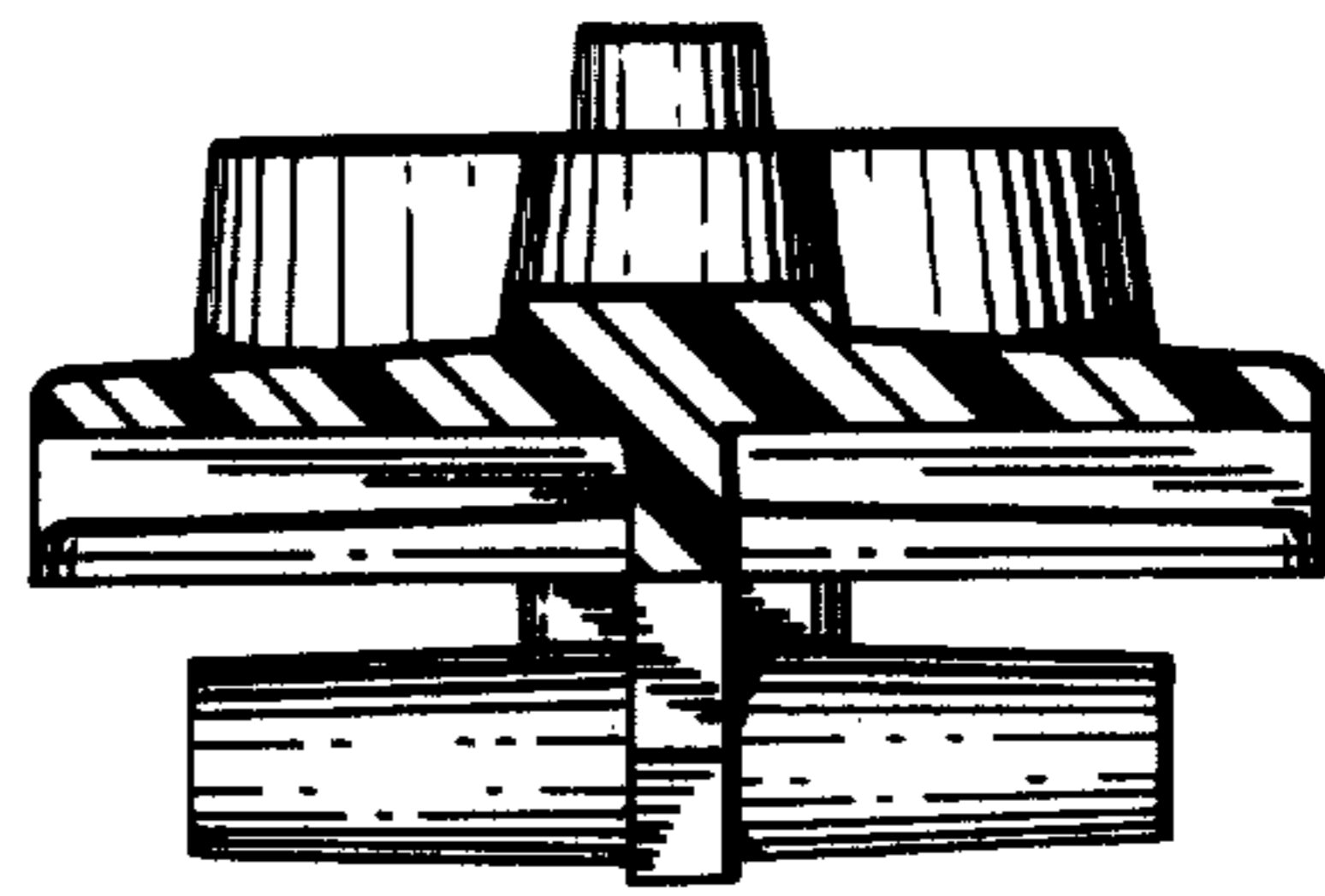


Fig. 6.

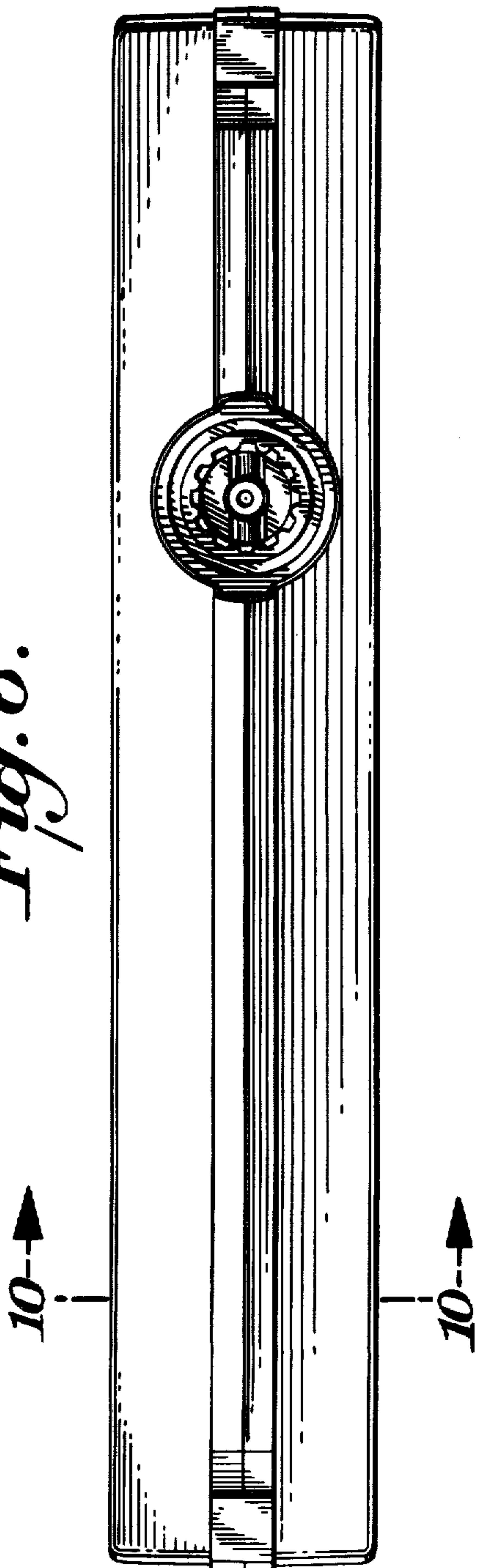


Fig. 7.

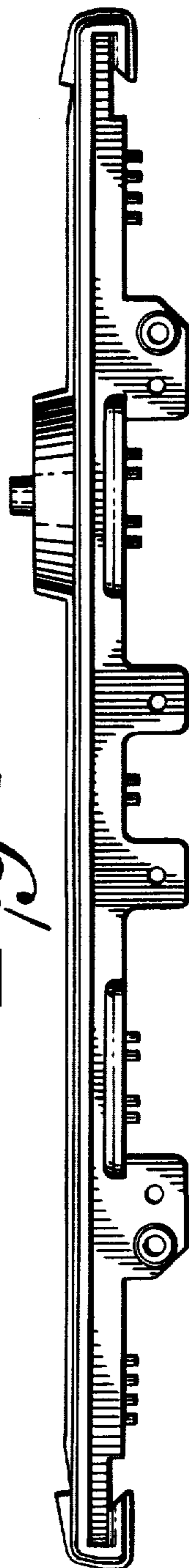


Fig. 8.

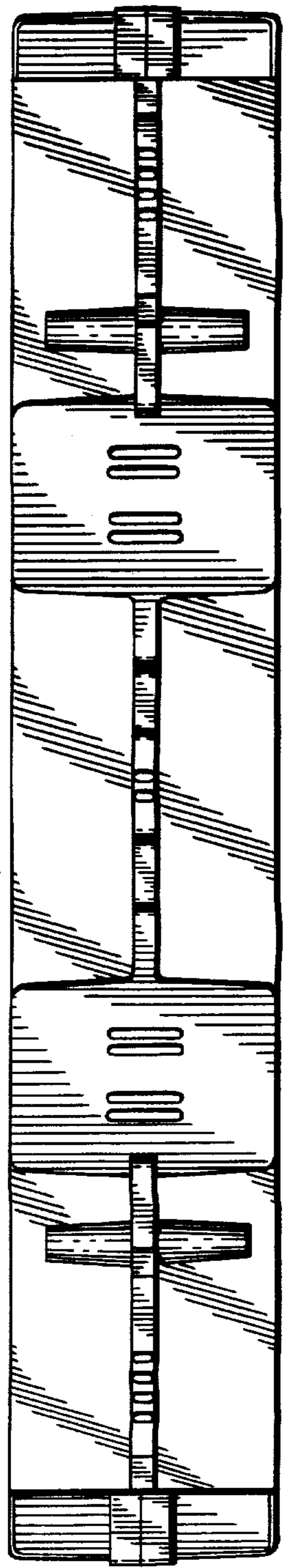


Fig. 11.

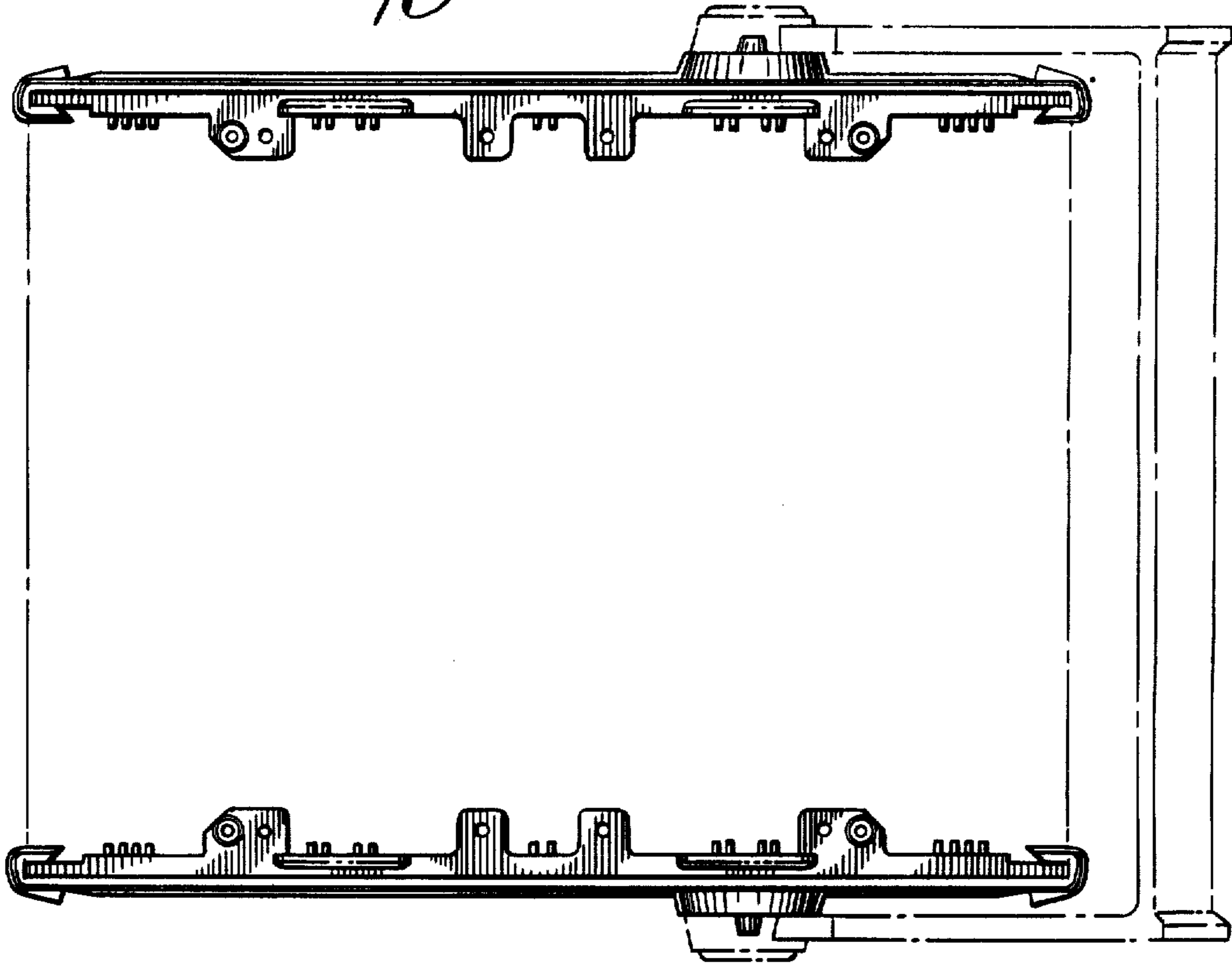


Fig. 12.

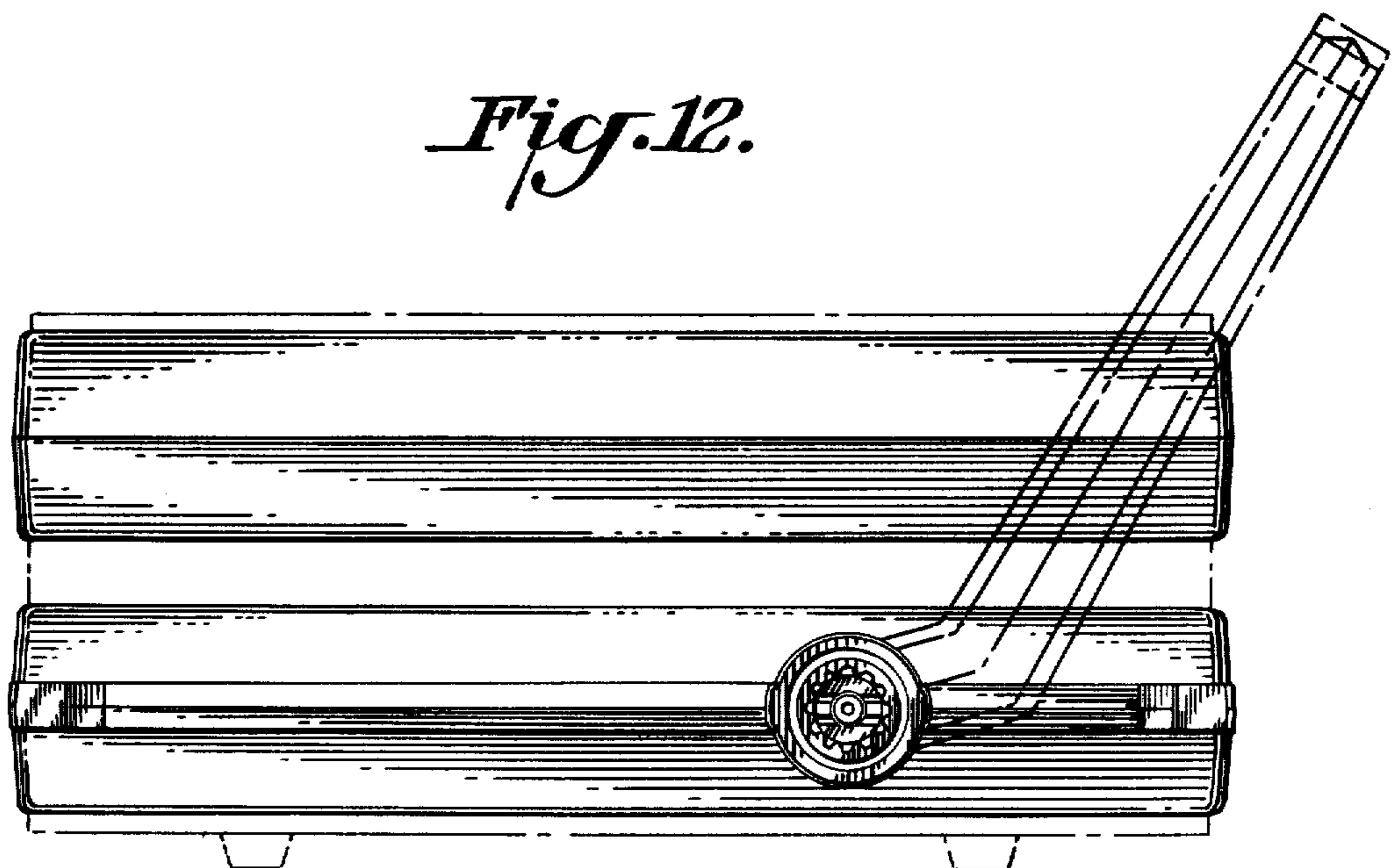


Fig. 13.

