

[54] SPLIT CORE CURRENT TRANSFORMER

[75] Inventor: David L. Lockwood, Williamsville, N.Y.

[73] Assignee: Clarence Controls Inc., Buffalo, N.Y.

[**] Term: 14 Years

[21] Appl. No.: 68,945

[22] Filed: Aug. 23, 1979

[51] Int. Cl. D13-02

[52] U.S. Cl. D13/4

[58] Field of Search 336/176, 83, 92, 135, 336/154; D13/4, 11

[56] References Cited

U.S. PATENT DOCUMENTS

- D. 229,941 1/1974 Feldman D13/4 X
- 2,176,756 10/1939 Borden 336/176 X
- 2,476,121 7/1949 Smith, Jr. 336/176 X

- 3,984,798 10/1976 Bussen 336/176
- 4,048,605 9/1977 McCollum 336/176

FOREIGN PATENT DOCUMENTS

- 2331488 1/1974 Fed. Rep. of Germany 336/176

Primary Examiner—A. Hugo Word
Attorney, Agent, or Firm—Bean, Kauffman & Bean

[57] CLAIM

The ornamental design for a split core current transformer, as shown.

DESCRIPTION

FIG. 1 is a perspective view of a split core current transformer showing my new design; FIG. 2 is a front elevational view thereof; FIG. 3 is a rear elevational view thereof; FIG. 4 is a top plan view thereof; FIG. 5 is a bottom plan view thereof; and FIGS. 6 and 7 are opposite end views thereof.

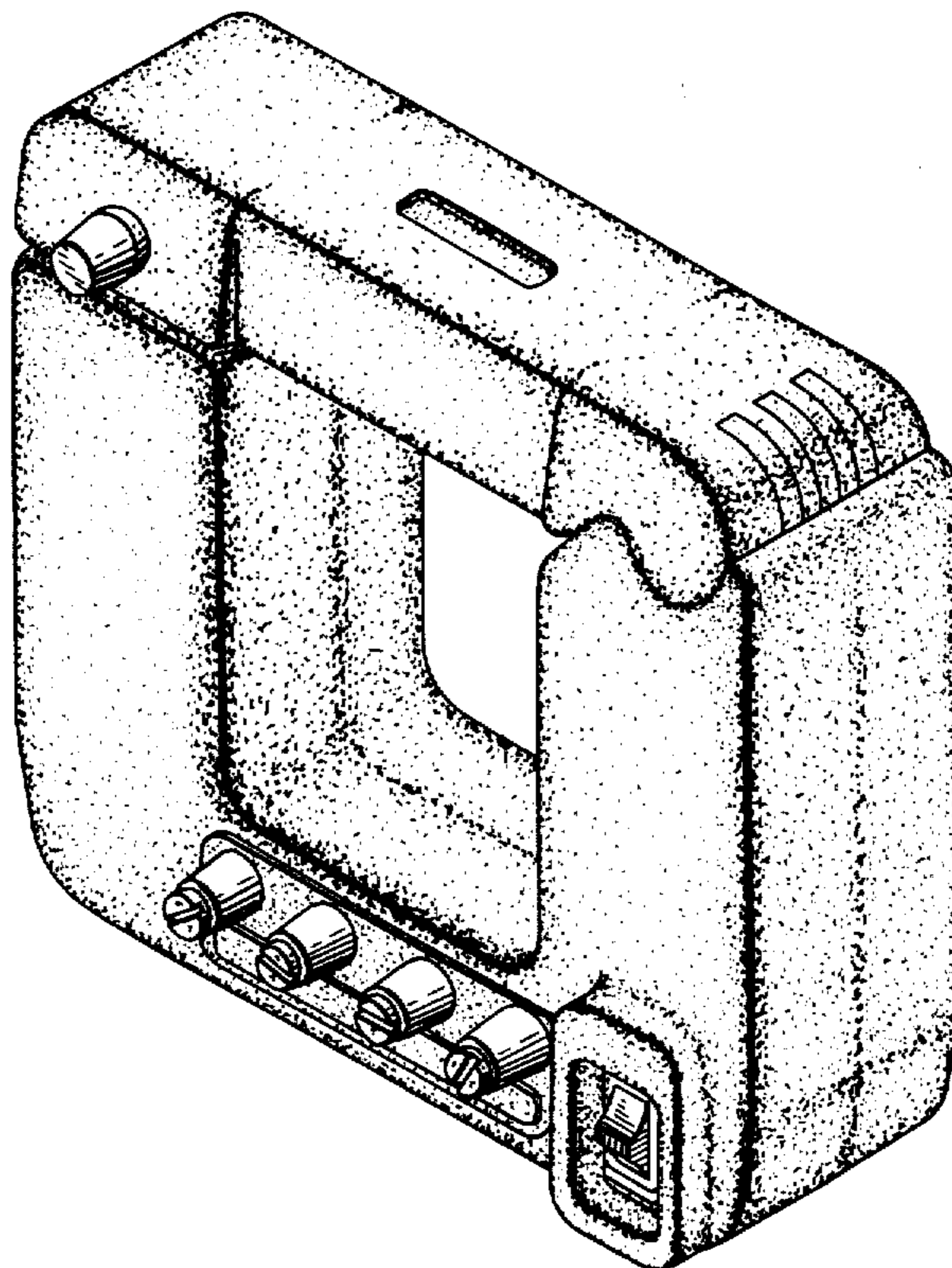


Fig. 1.

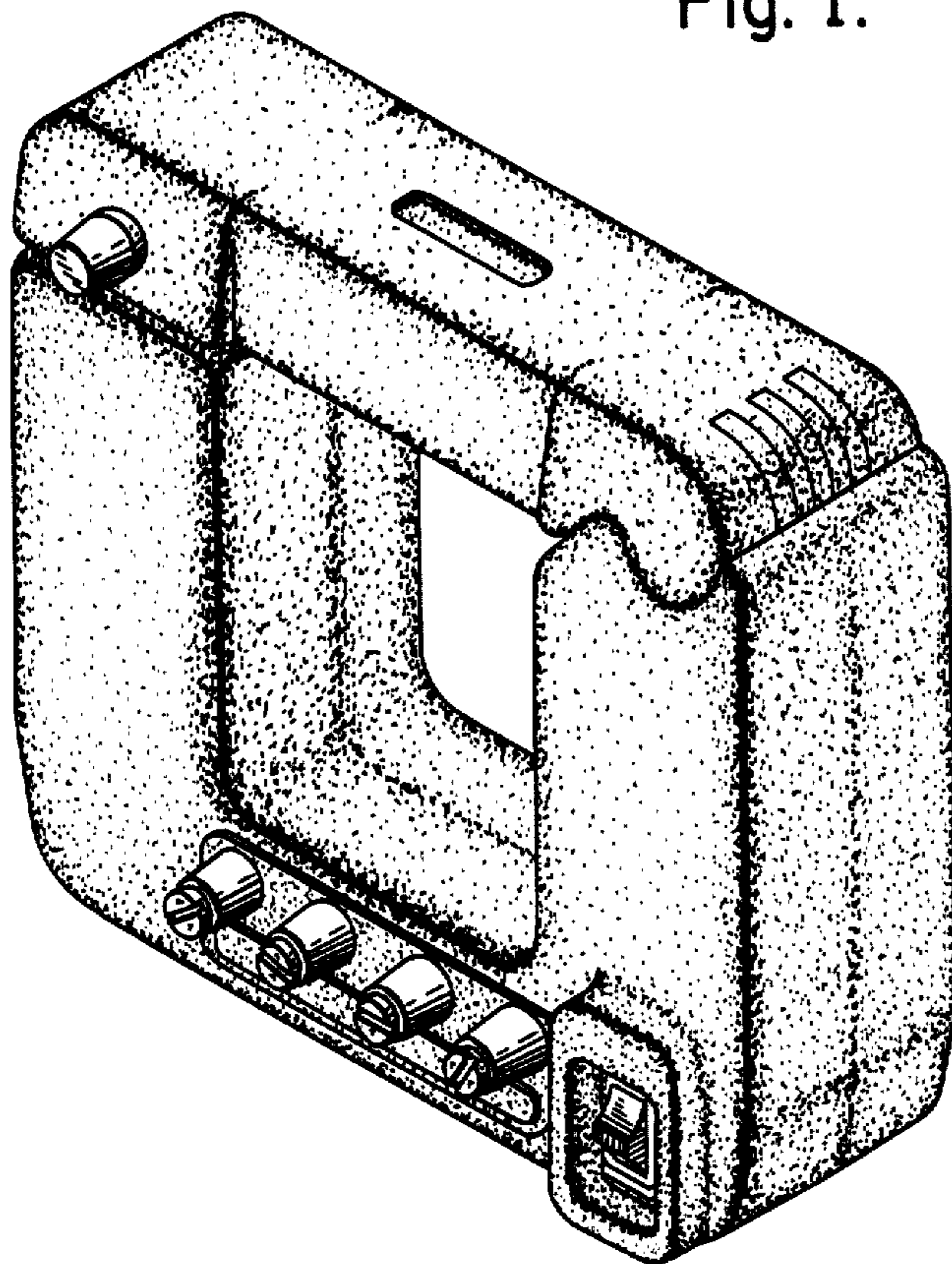


Fig. 4.

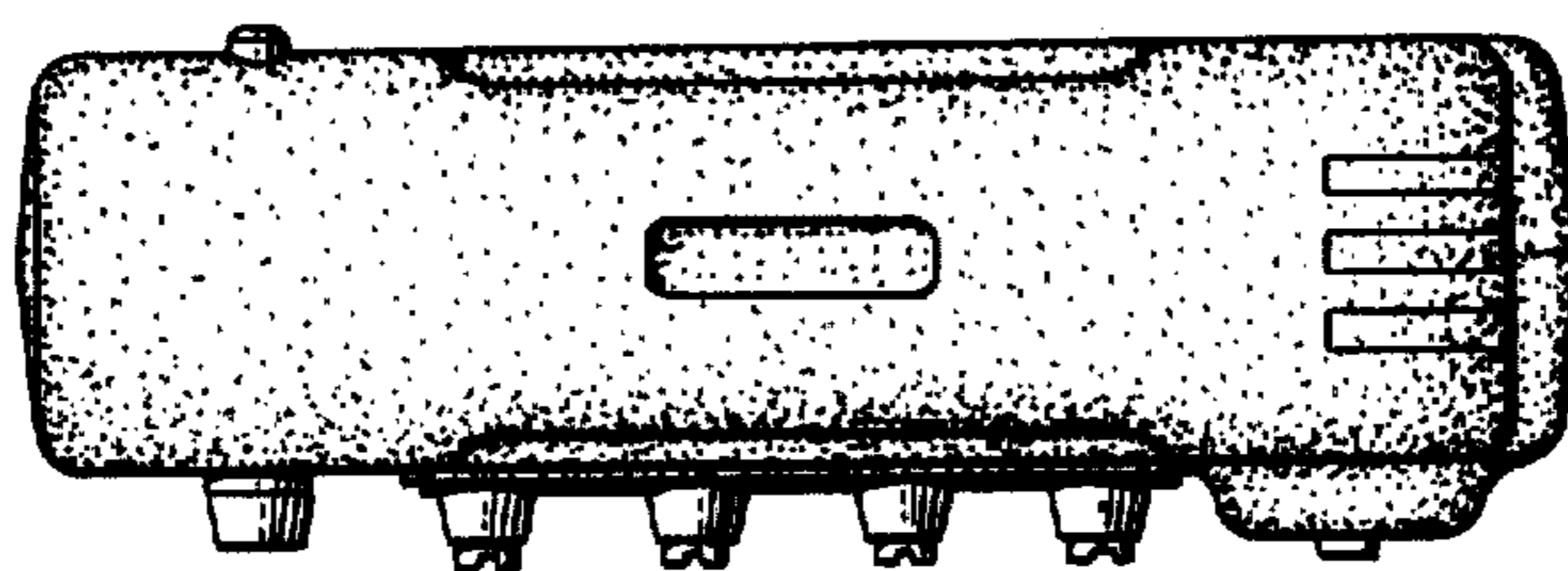


Fig. 5.

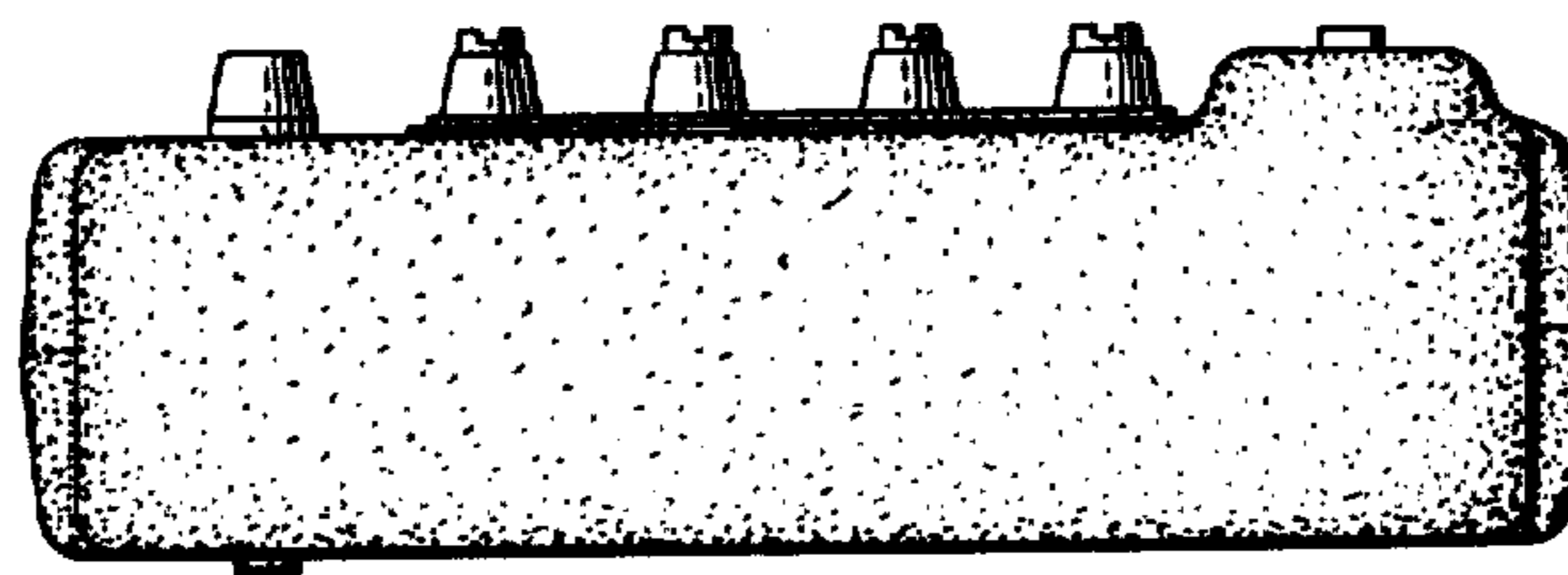


Fig. 6.

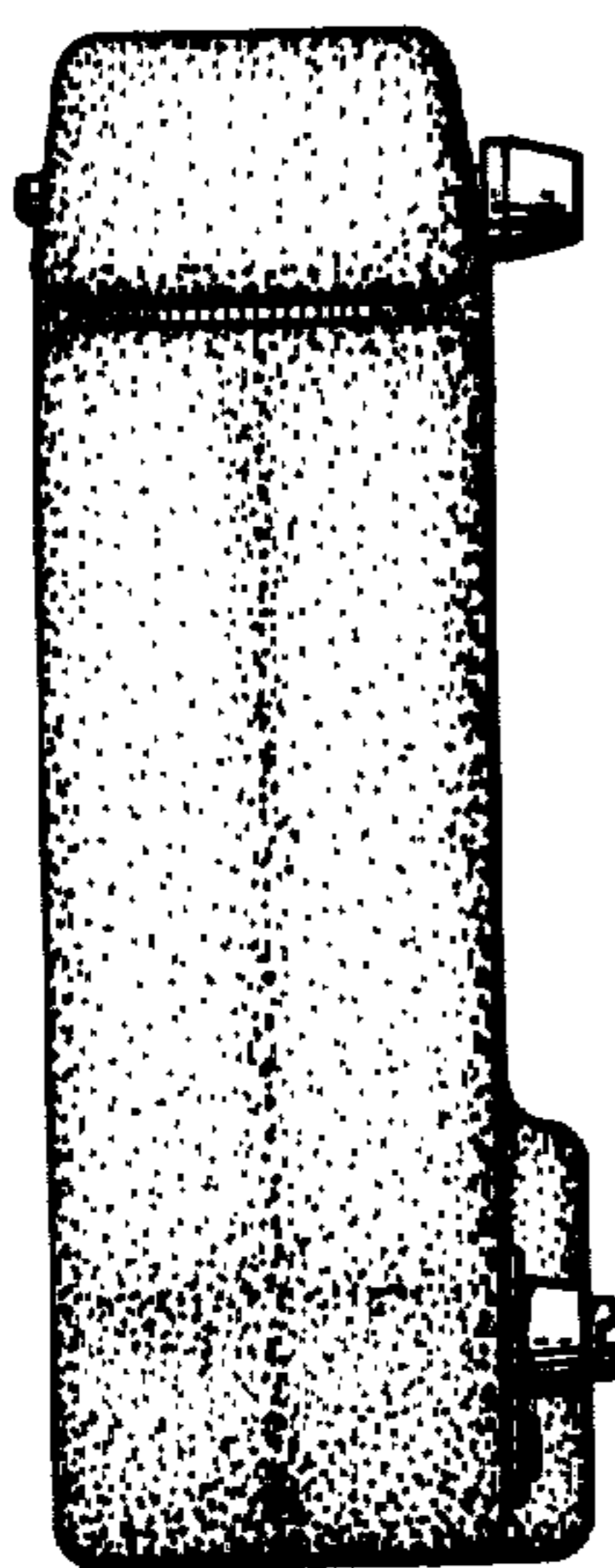


Fig. 2.

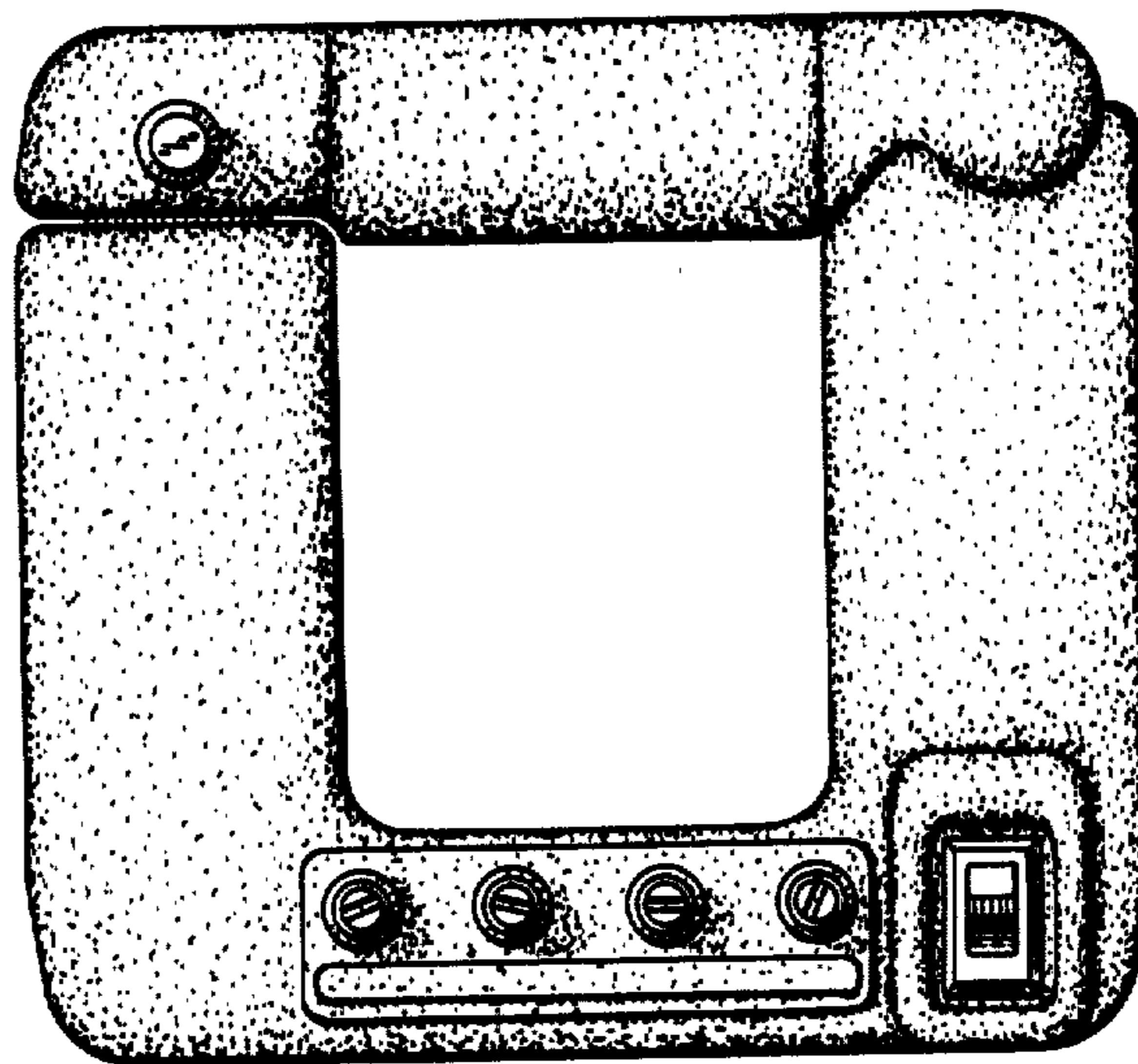


Fig. 7.

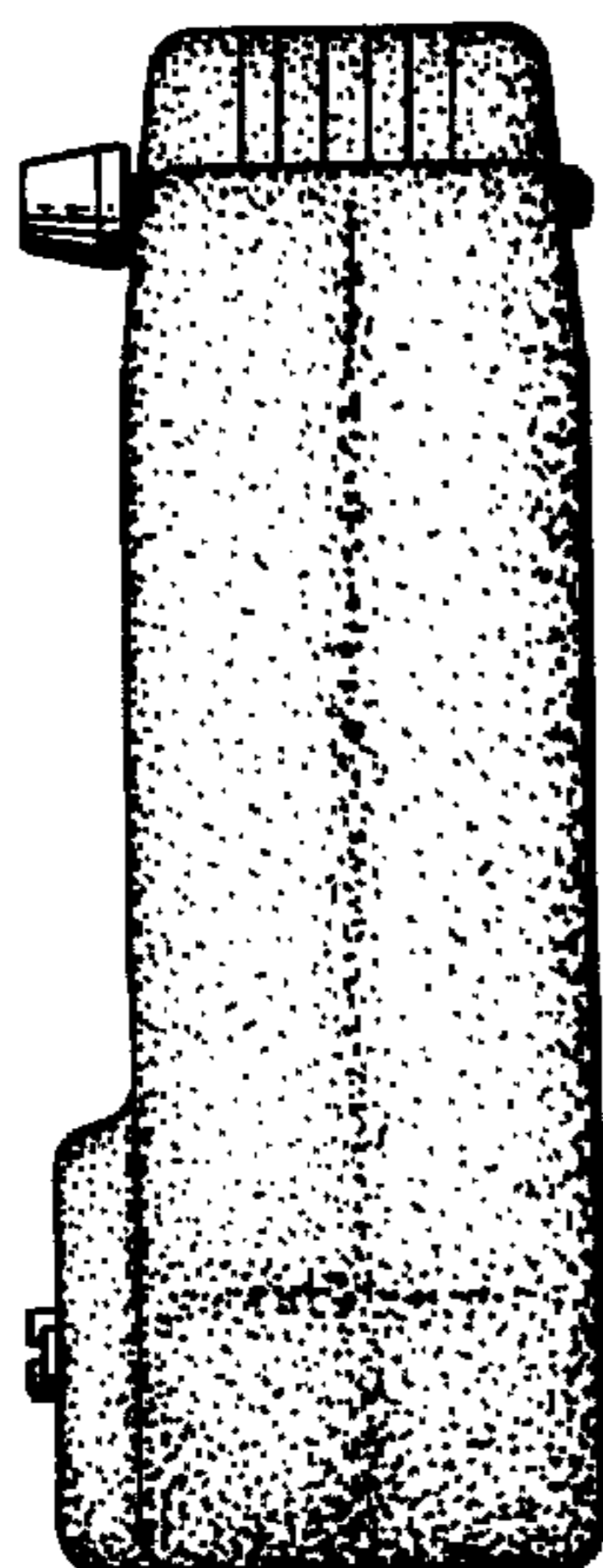


Fig. 3.

