

[54] SERVICE BOX FOR A PICKUP TRUCK

[76] Inventor: **Ronald D. Gorman, R.R. #2,
Thunder Bay, Ontario, Canada, P7C
4U1**

[**] Term: **14 Years**

[21] Appl. No.: **110,624**

[22] Filed: **Jan. 9, 1980**

[51] Int. Cl. **D12-16**

[52] U.S. Cl. **D12/157**

[58] Field of Search **D12/156, 157;
224/42.11, 42.42, 273; 296/37.6, 24 R**

[56] **References Cited**

U.S. PATENT DOCUMENTS

D. 184,206 1/1959 Amborn D12/156
D. 229,554 12/1973 Bell D12/156

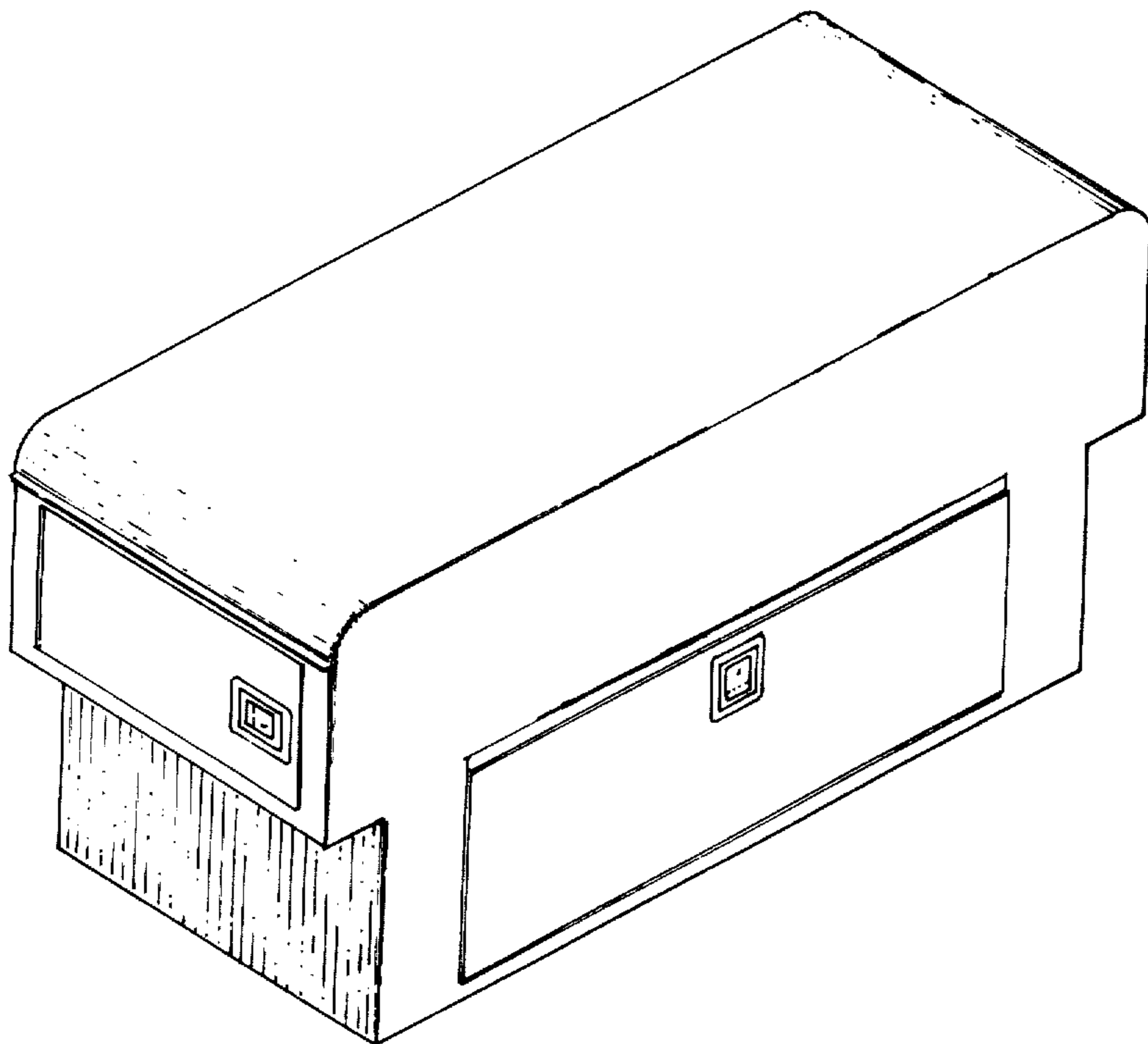
Primary Examiner—James M. Gandy

[57] **CLAIM**

The ornamental design for a service box for a pickup truck, as shown and described.

DESCRIPTION

FIG. 1 is an end elevational view of a service box for a pickup truck showing my new design;
FIG. 2 is an opposite end elevational view thereof.
FIG. 3 is a rear elevation view thereof.
FIG. 4 is a front elevation view thereof.
FIG. 5 is a top plan view thereof.
FIG. 6 is a bottom plan view thereof.
FIG. 7 is an isometric view thereof.



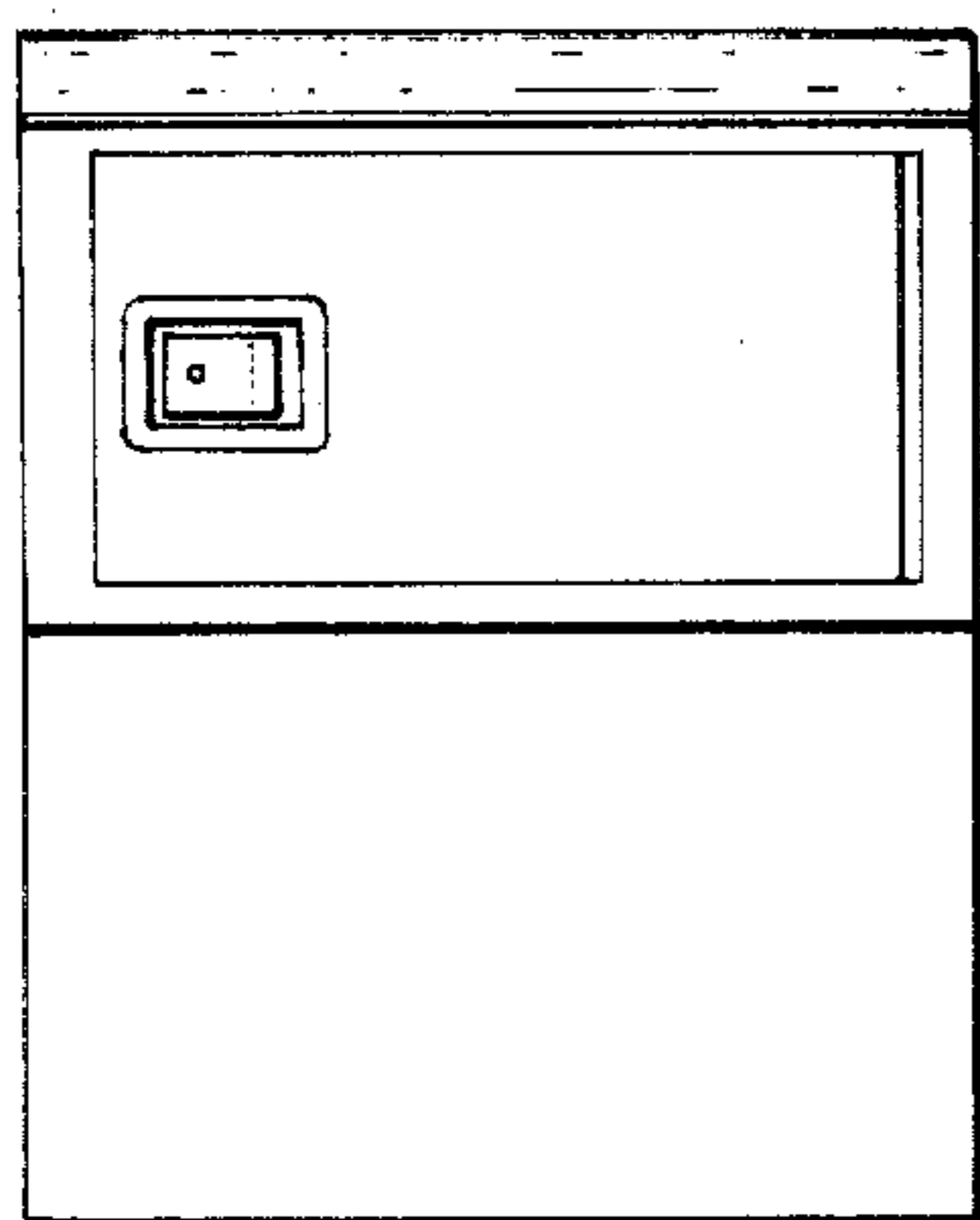


FIG. 1

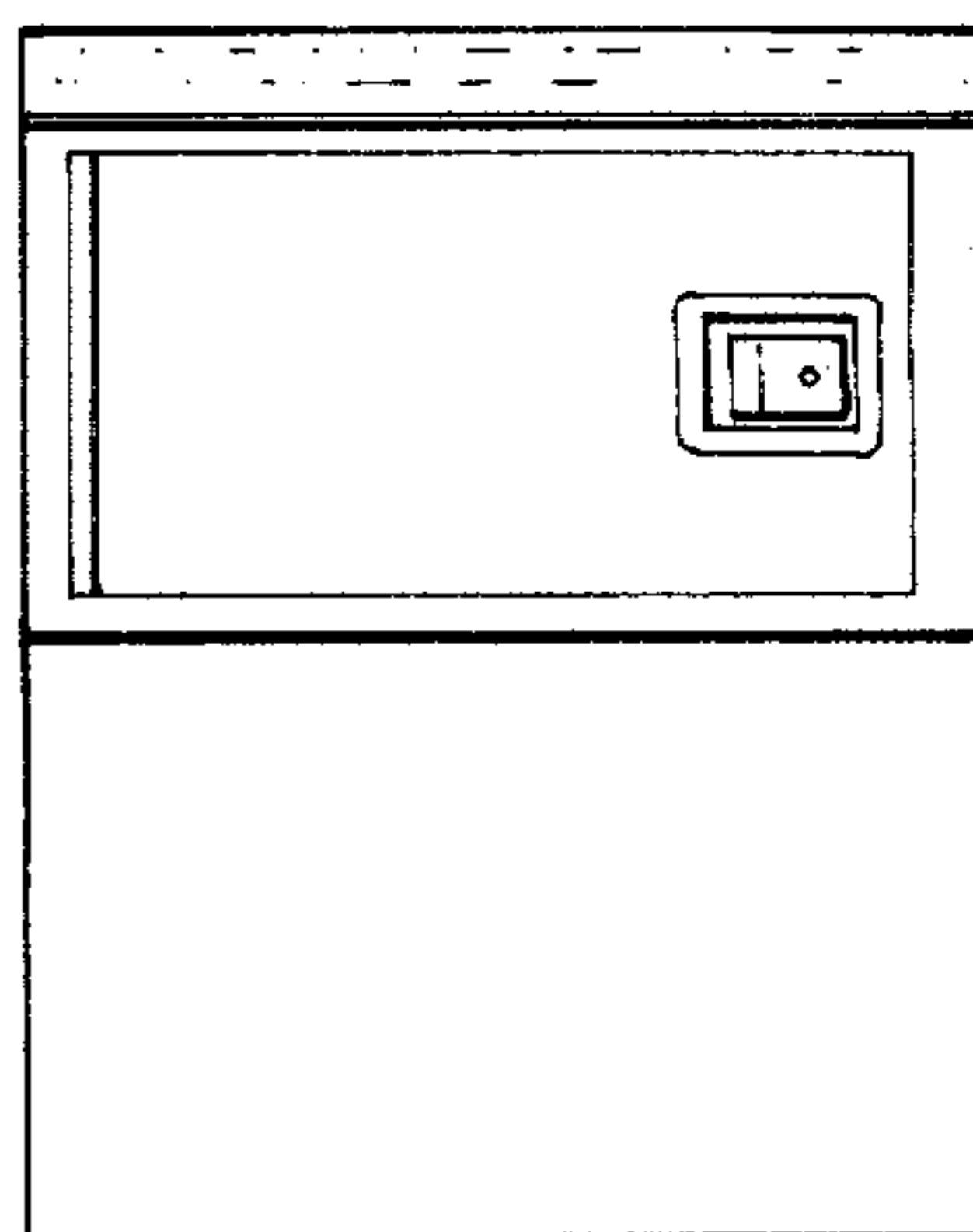


FIG. 2

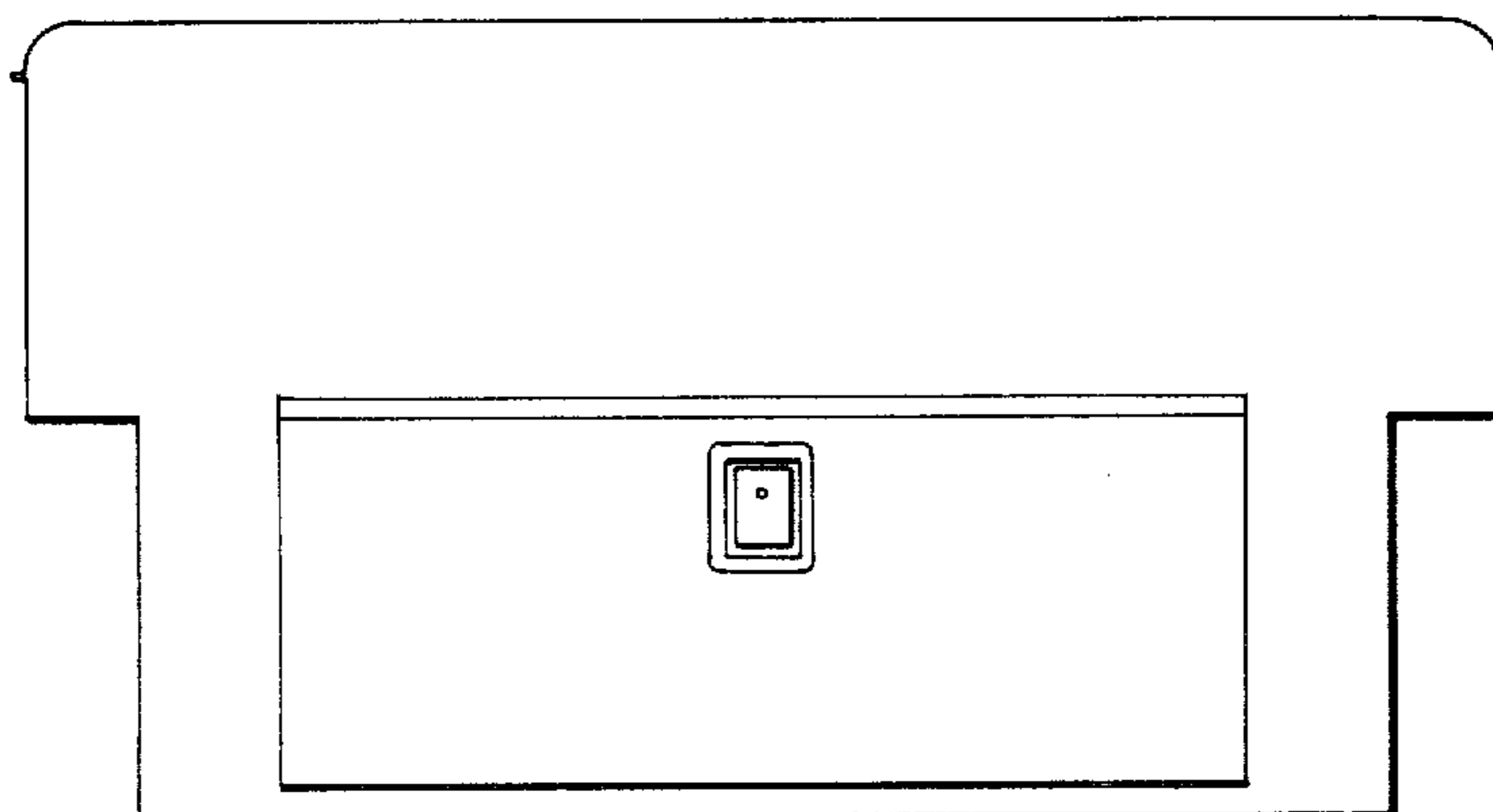


FIG. 3

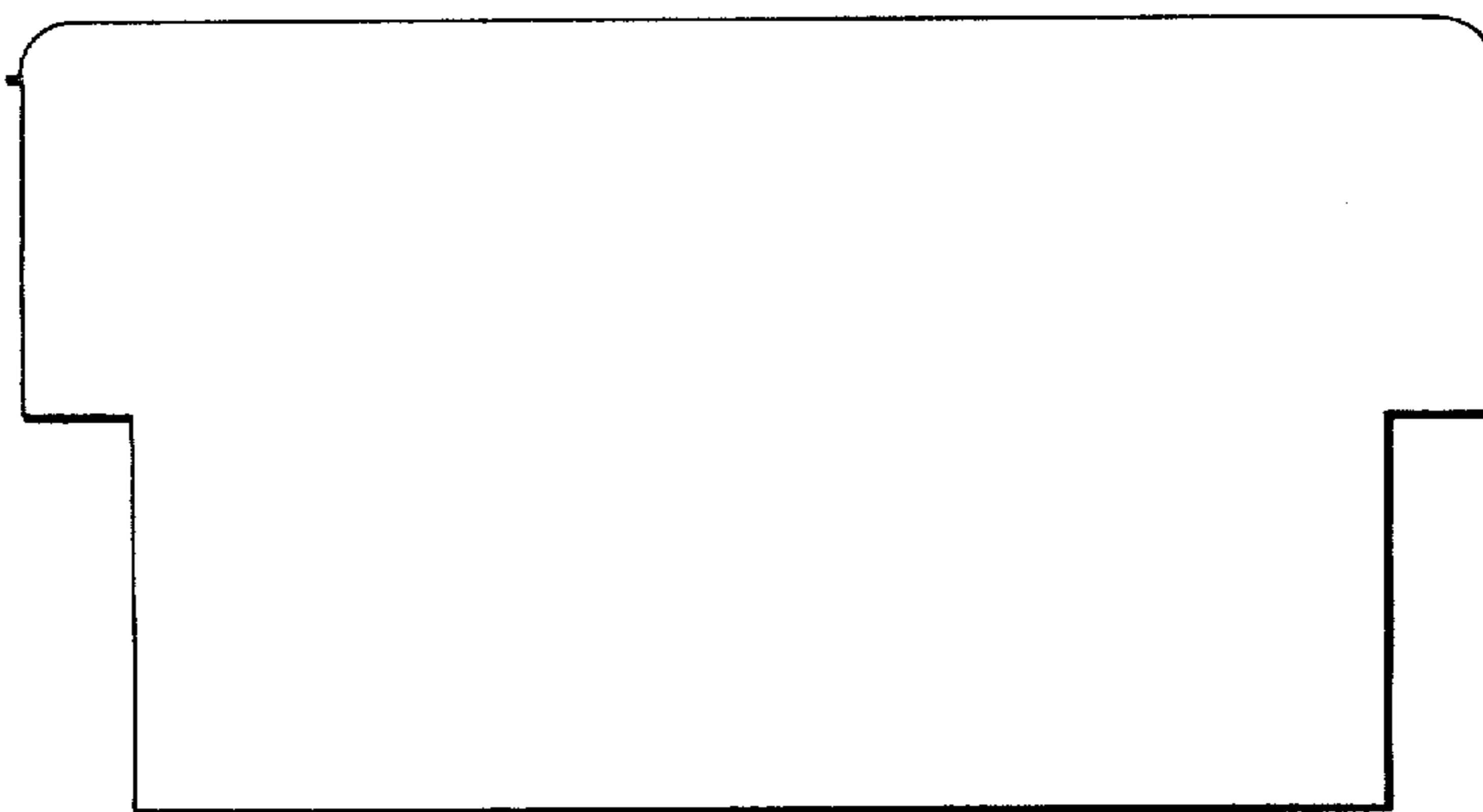


FIG. 4

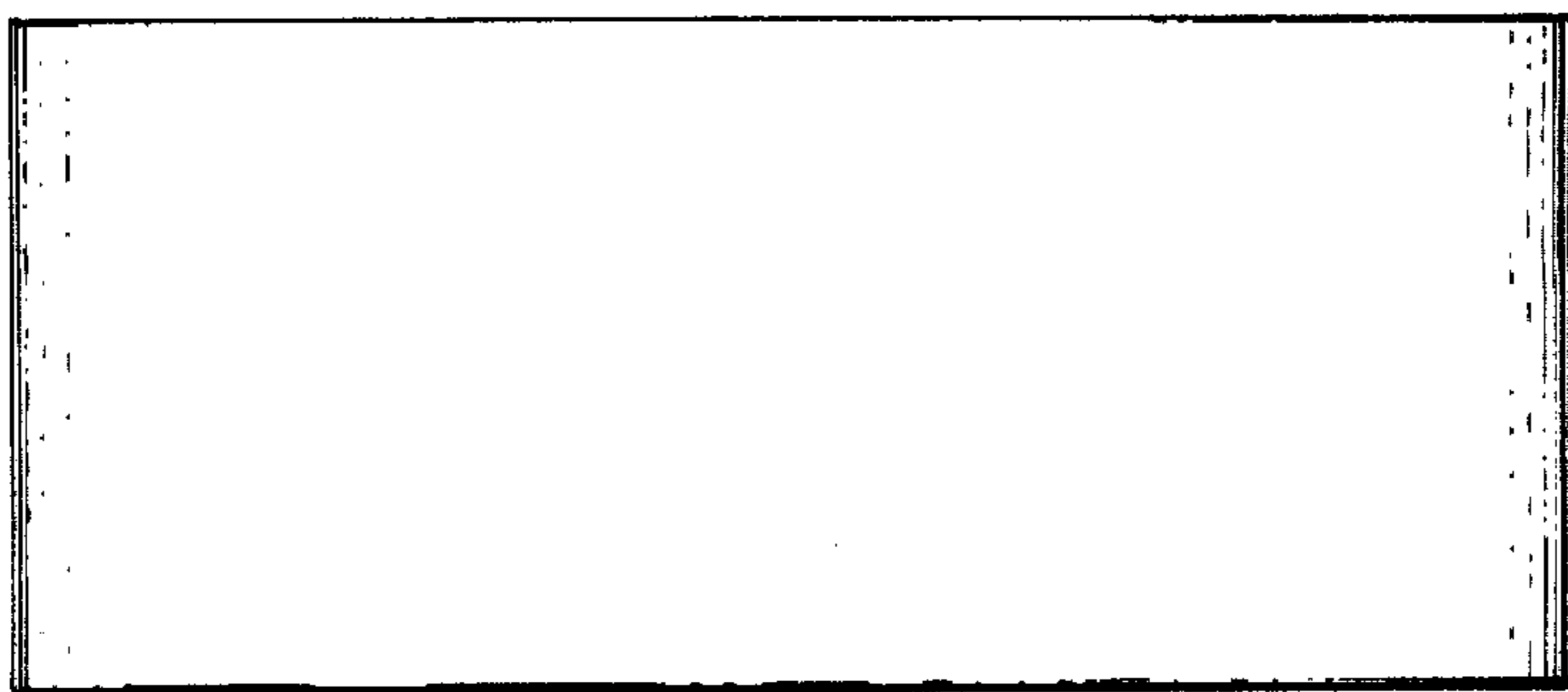


FIG. 5

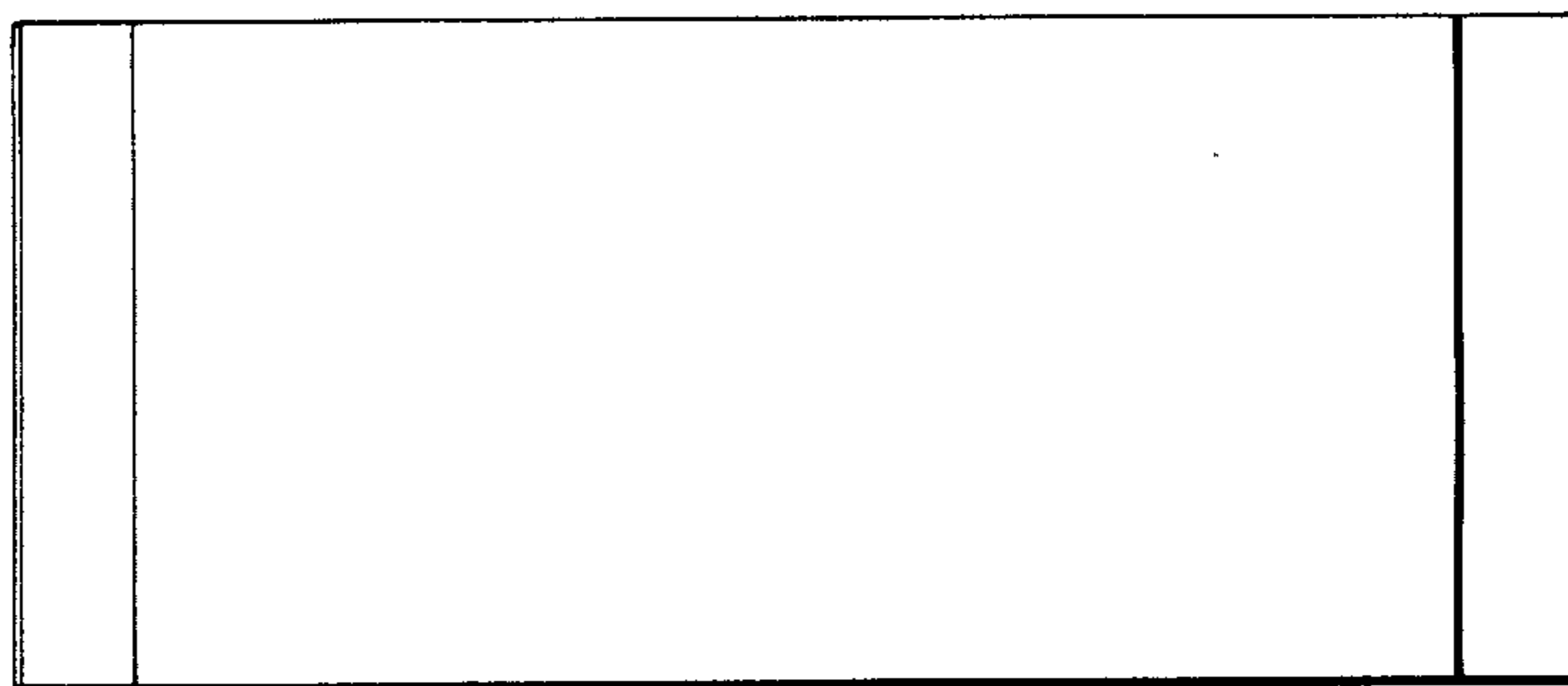


FIG. 6

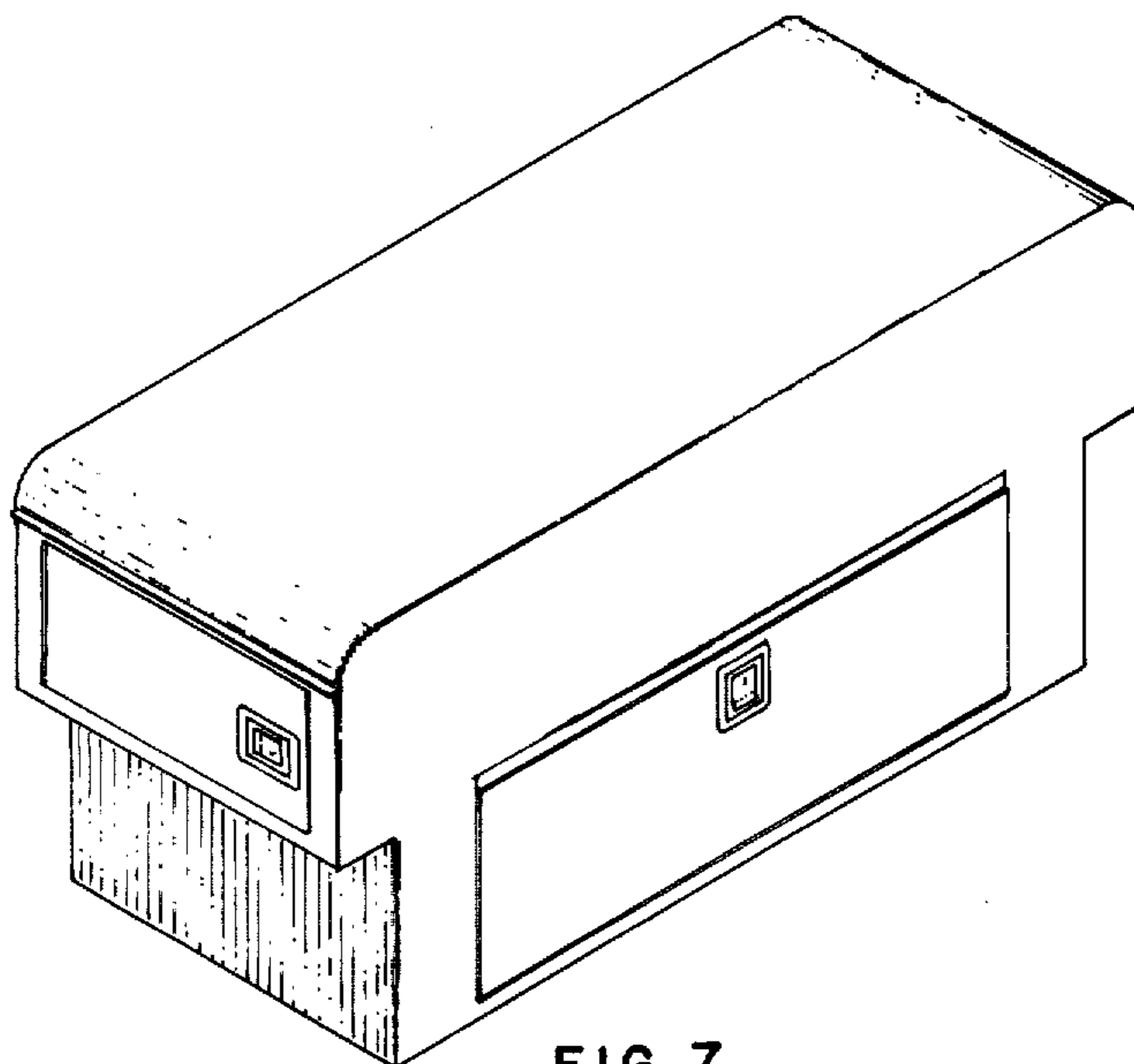


FIG. 7