

[54] OVERHEAD CONSOLE FOR VEHICLES

[76] Inventor: Thomas L. Drafton, 4335 N. Peck, El Monte, Calif. 91731

[\*\*] Term: 14 Years

[21] Appl. No.: 30,834

[22] Filed: Apr. 17, 1979

[51] Int. Cl. .... D12-16

[52] U.S. Cl. .... D12/155

[58] Field of Search ..... D12/155, 192; 180/90; 296/70, 1 R, 37.8, 37.1; 224/42.1 C, 42.42 R, 42.46, 42.45, 29 R, 42.11; 108/44, 47, 48

[56] References Cited

U.S. PATENT DOCUMENTS

- D. 245,414 8/1977 Ashbaugh et al. .... D12/155
- D. 245,772 9/1977 Drafton ..... D12/155

Primary Examiner—James M. Gandy

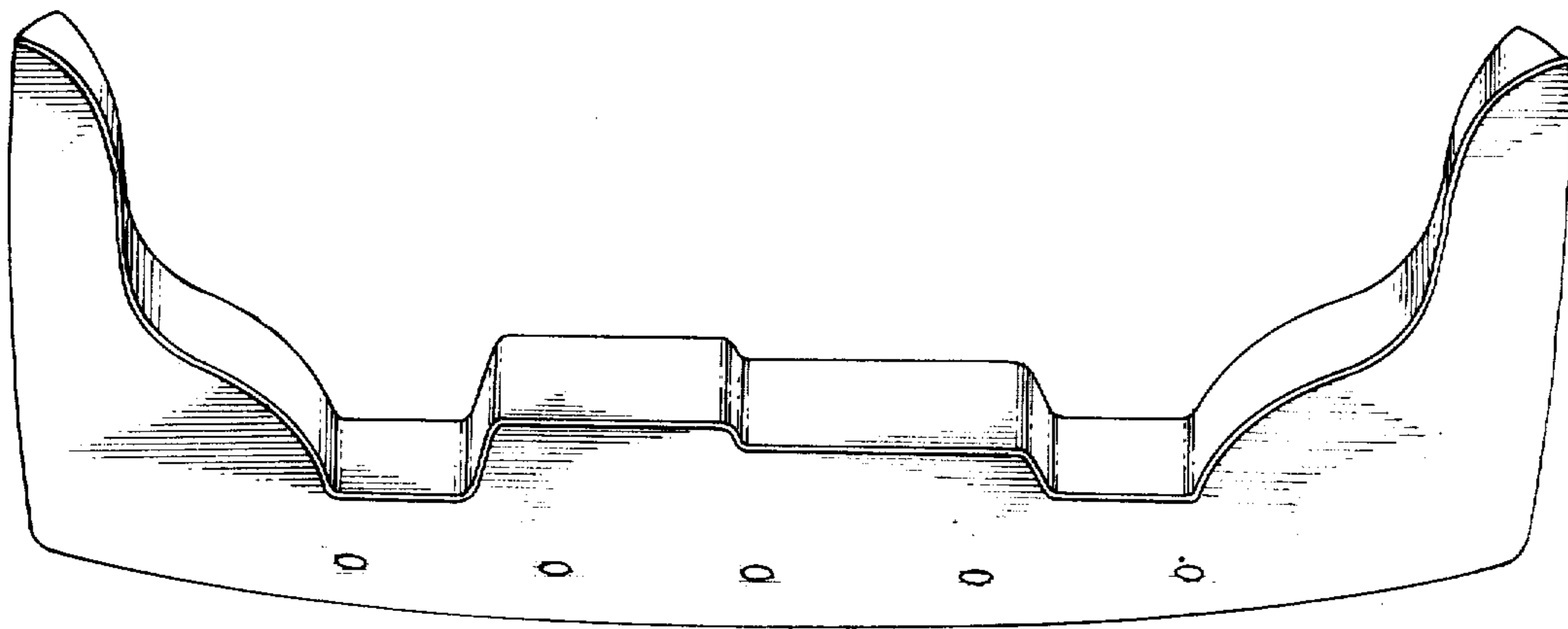
Attorney, Agent, or Firm—Lyon & Lyon

[57] CLAIM

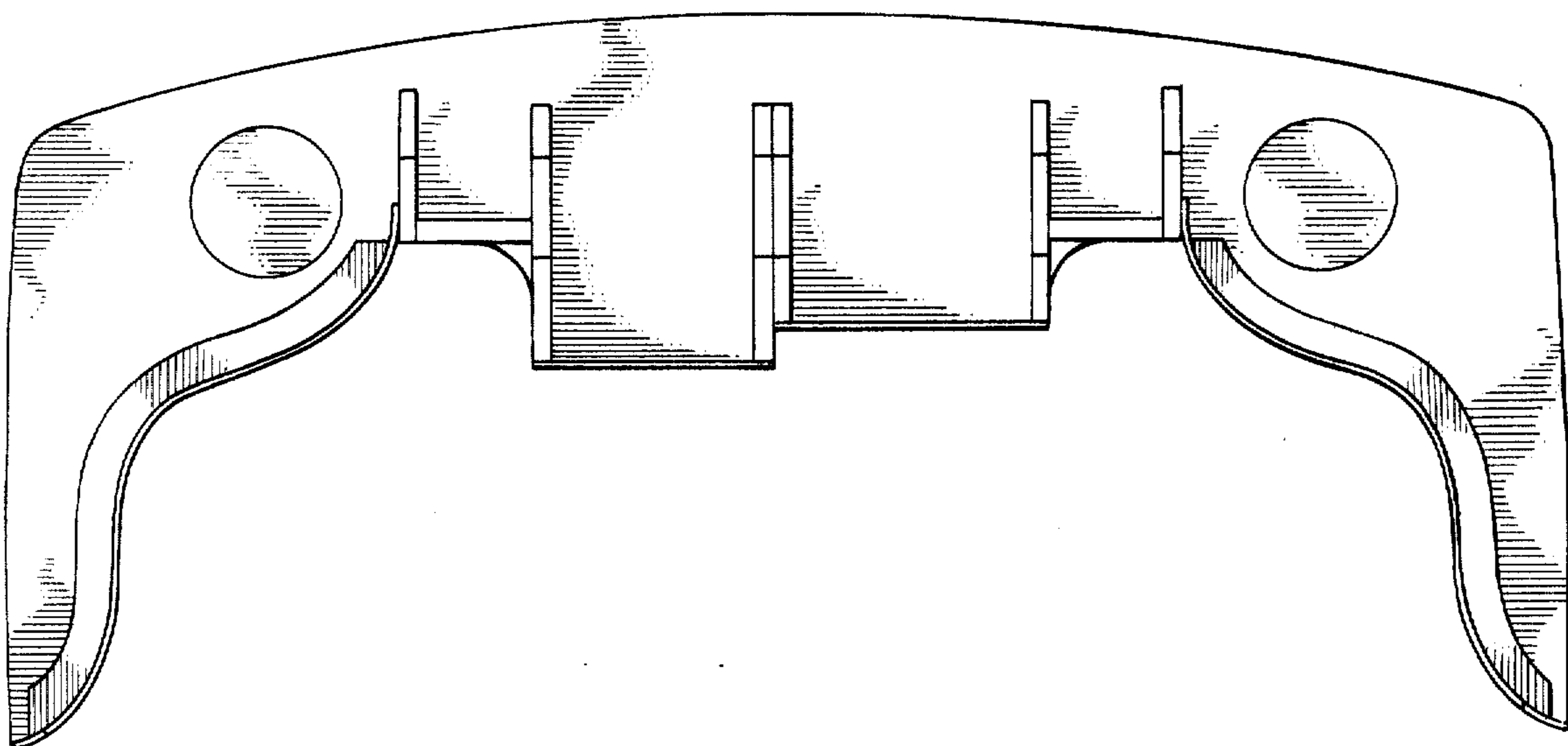
The ornamental design for an overhead console for vehicles, substantially as shown and described.

DESCRIPTION

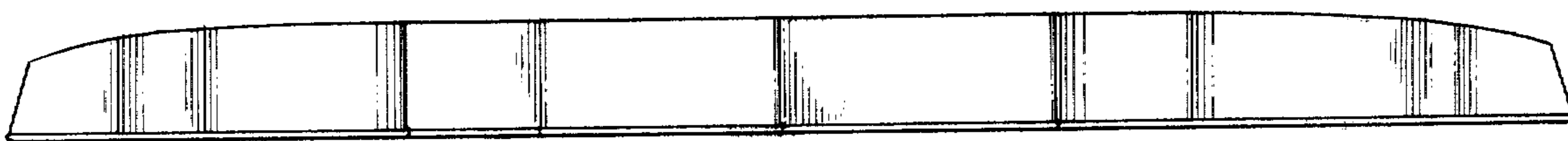
FIG. 1 is a bottom plan view of a first embodiment of an overhead console for vehicles showing my new design; FIG. 2 is a front elevational view thereof; FIG. 3 is a top plan view thereof; FIG. 4 is a side elevational view thereof; FIG. 5 is a perspective view thereof; FIG. 6 is a bottom plan view of a second embodiment of an overhead console for vehicles showing my new design; FIG. 7 is a front elevational view of the second embodiment; FIG. 8 is a top plan view of the second embodiment; FIG. 9 is a side elevational view of the second embodiment; FIG. 10 is a perspective view of the second embodiment; FIG. 11 is a bottom plan view of a third embodiment of an overhead console for vehicles showing my new design; FIG. 12 is a front elevational view of the third embodiment; FIG. 13 is a top plan view of the third embodiment; FIG. 14 is a side elevational view of the third embodiment; and FIG. 15 is a perspective view of the third embodiment.



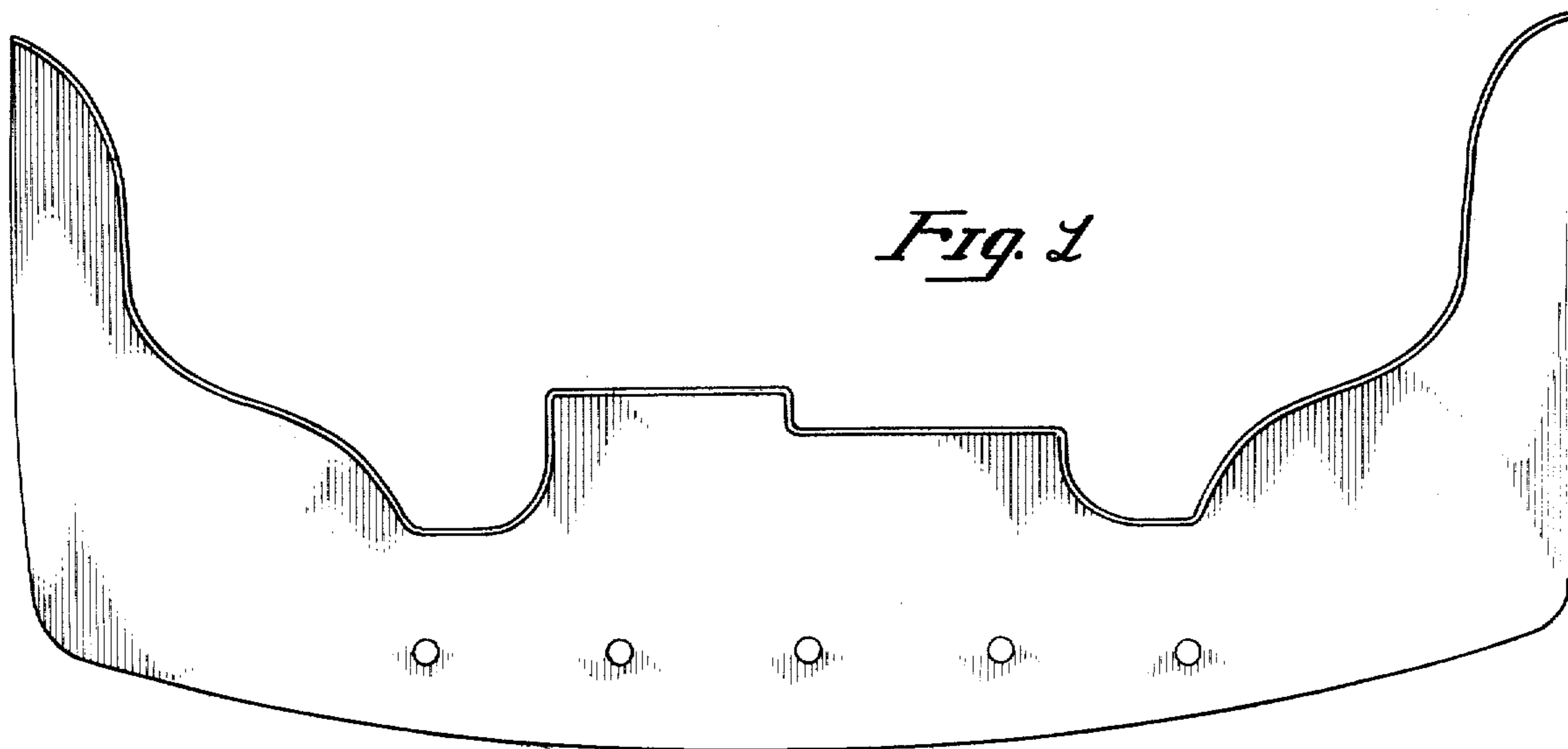
*Fig. 3*



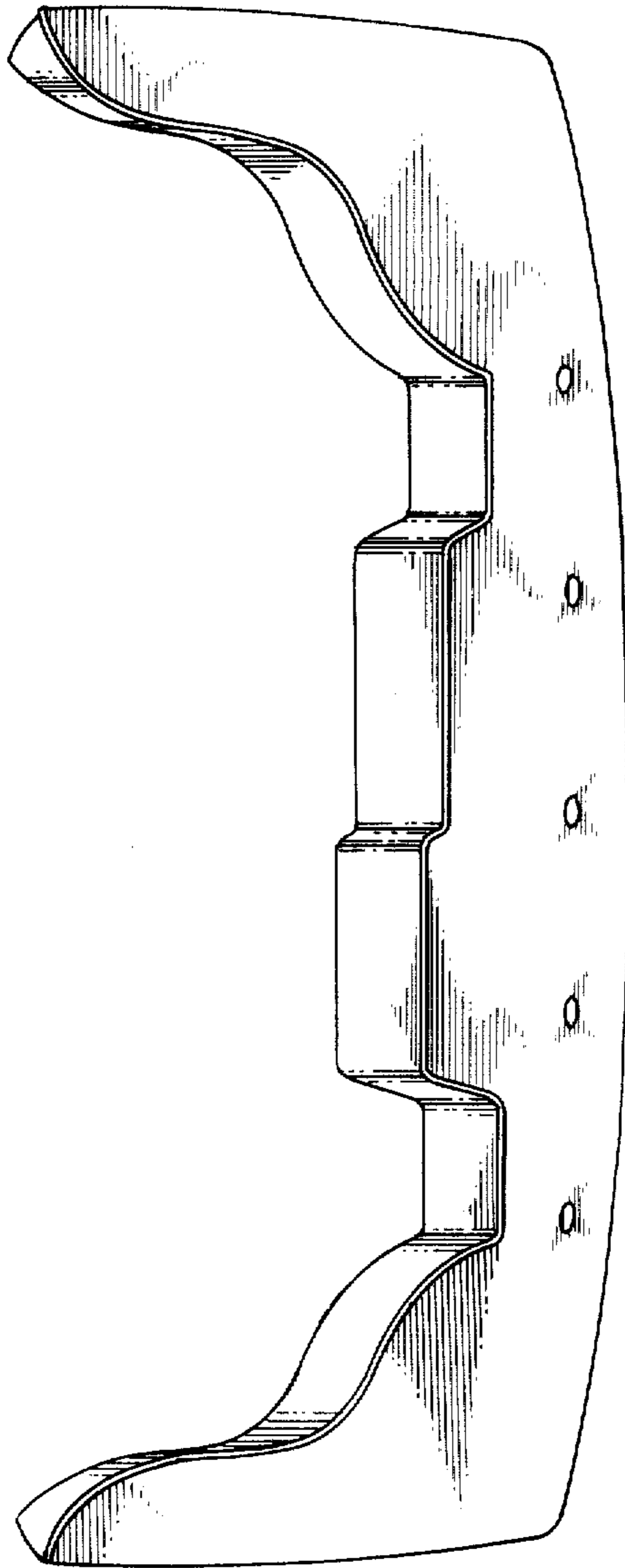
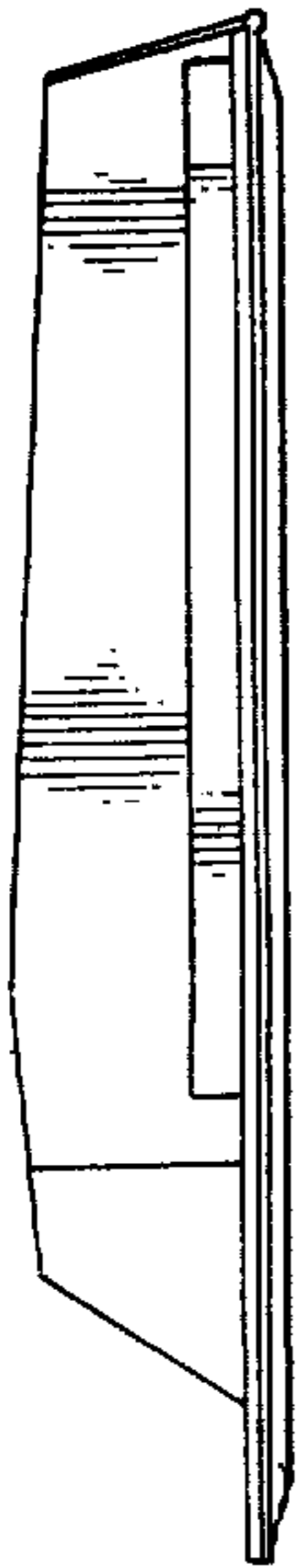
*Fig. 2*



*Fig. 1*

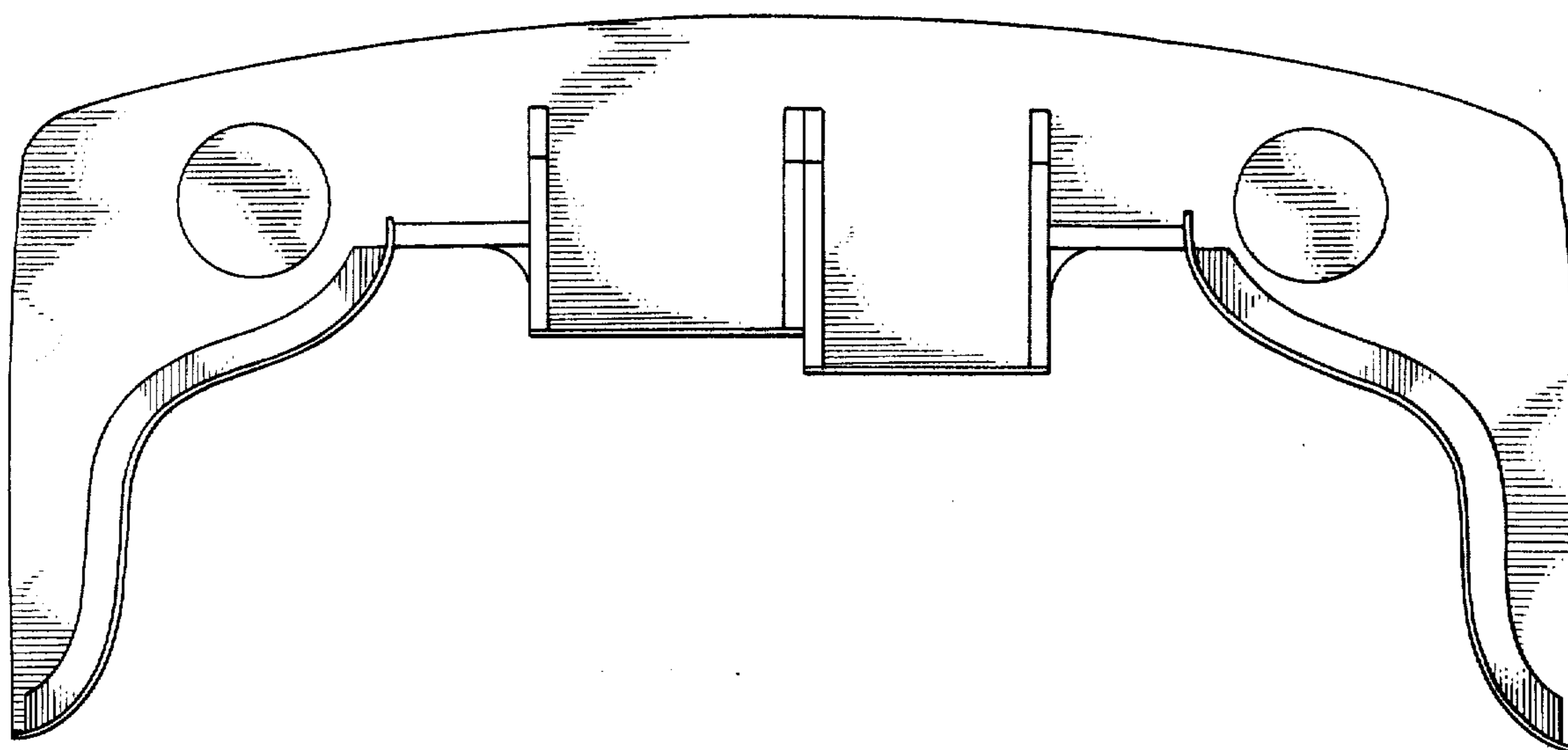


*Fig. 4*

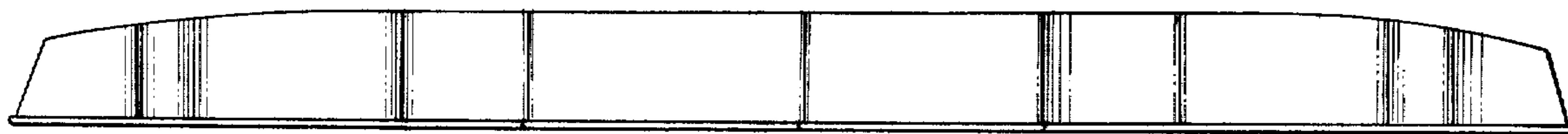


*Fig. 5*

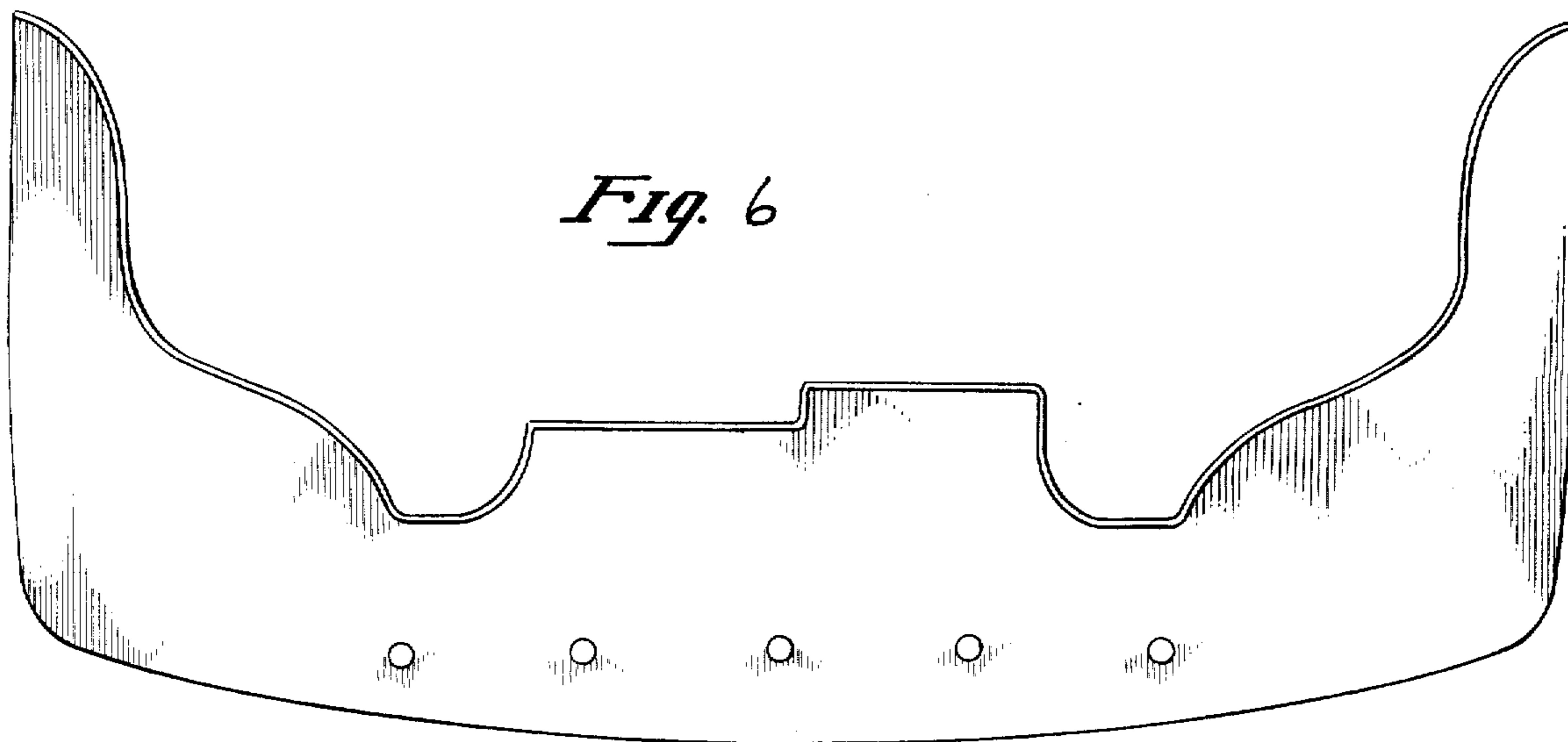
*Fig. 8*



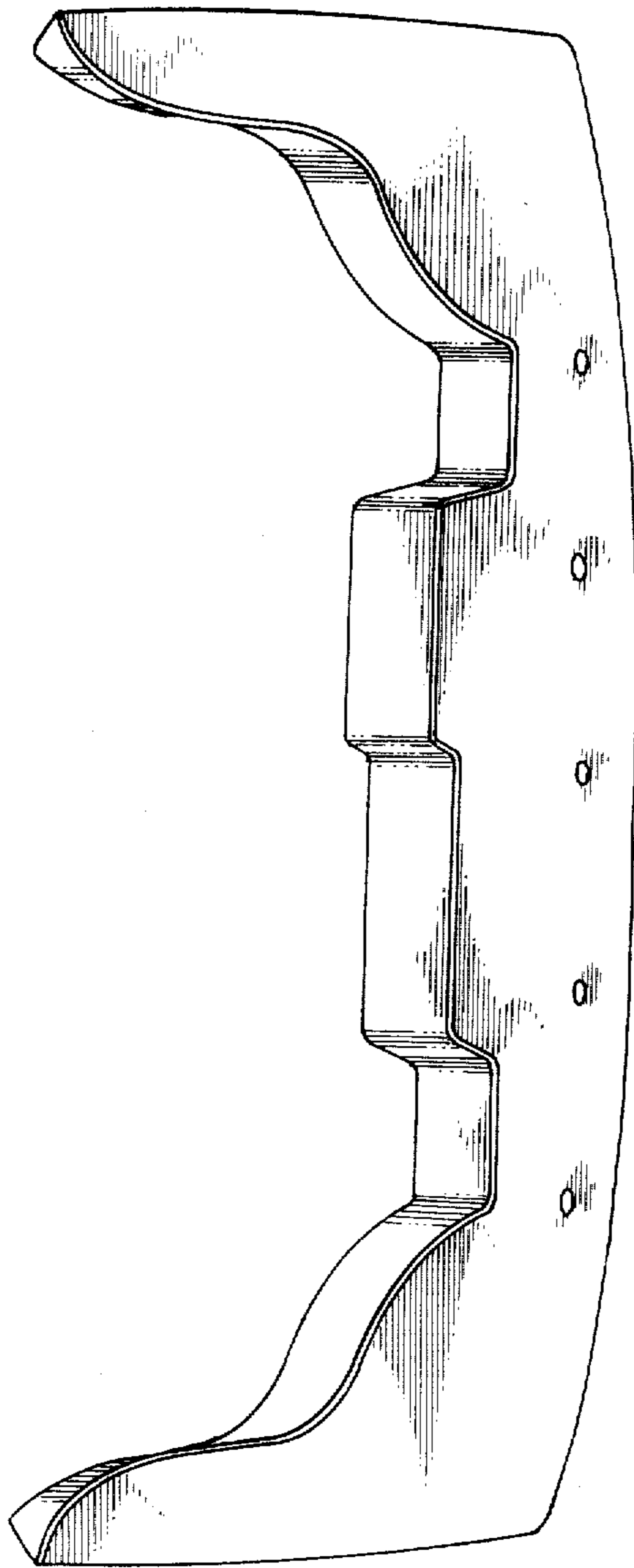
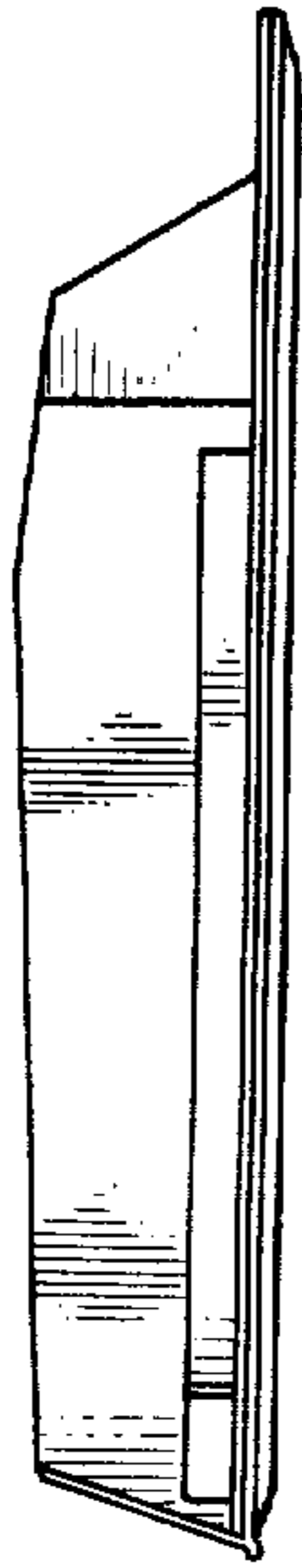
*Fig. 7*



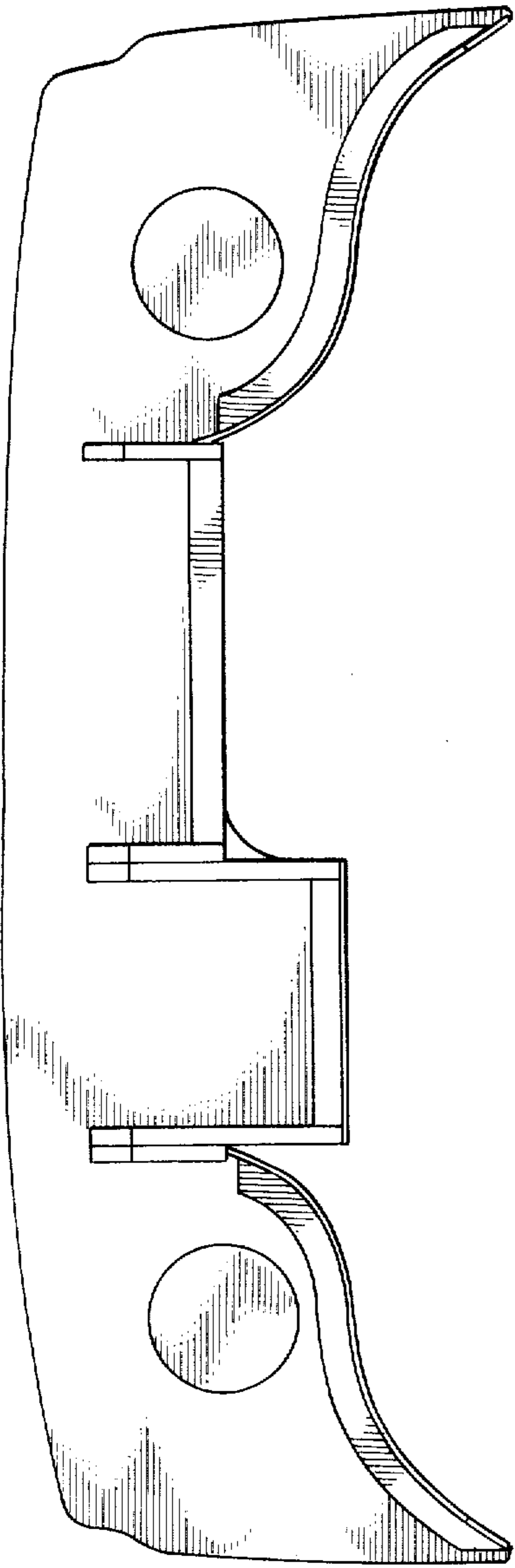
*Fig. 6*



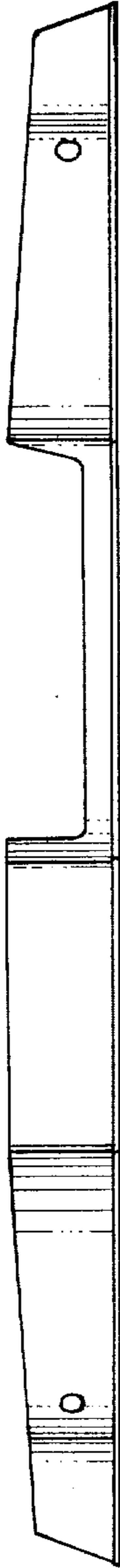
*Fig. 9*



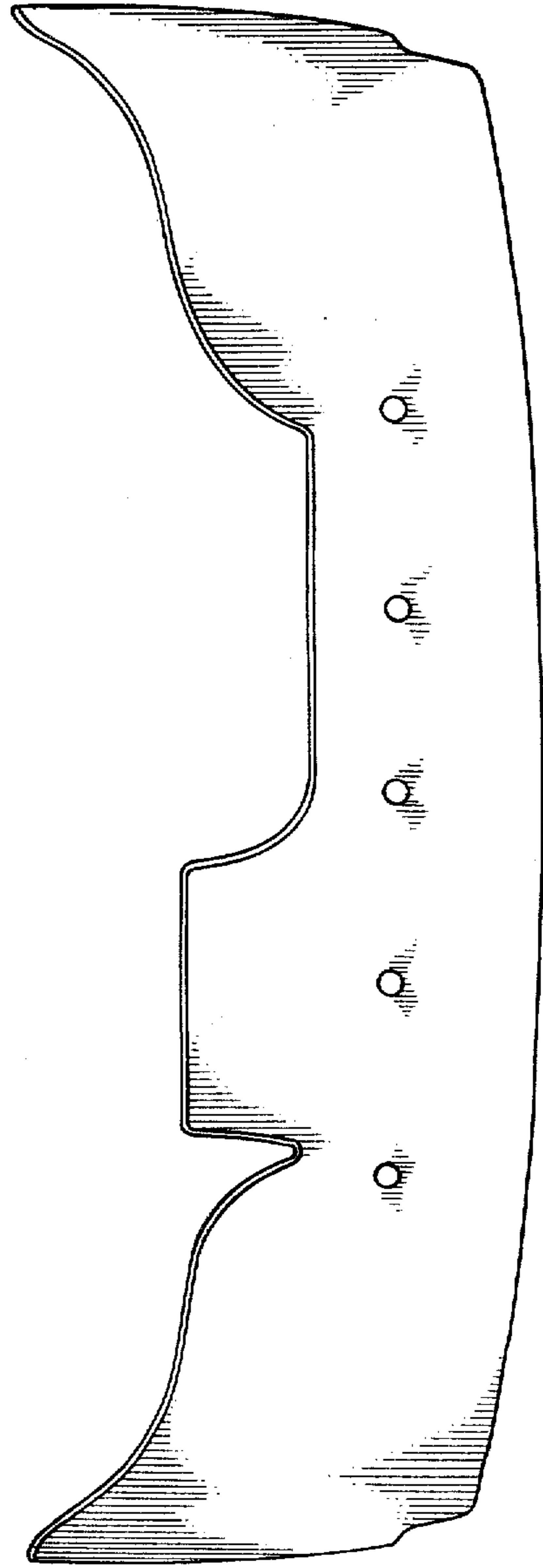
*Fig. 10*



*Fig. 13*

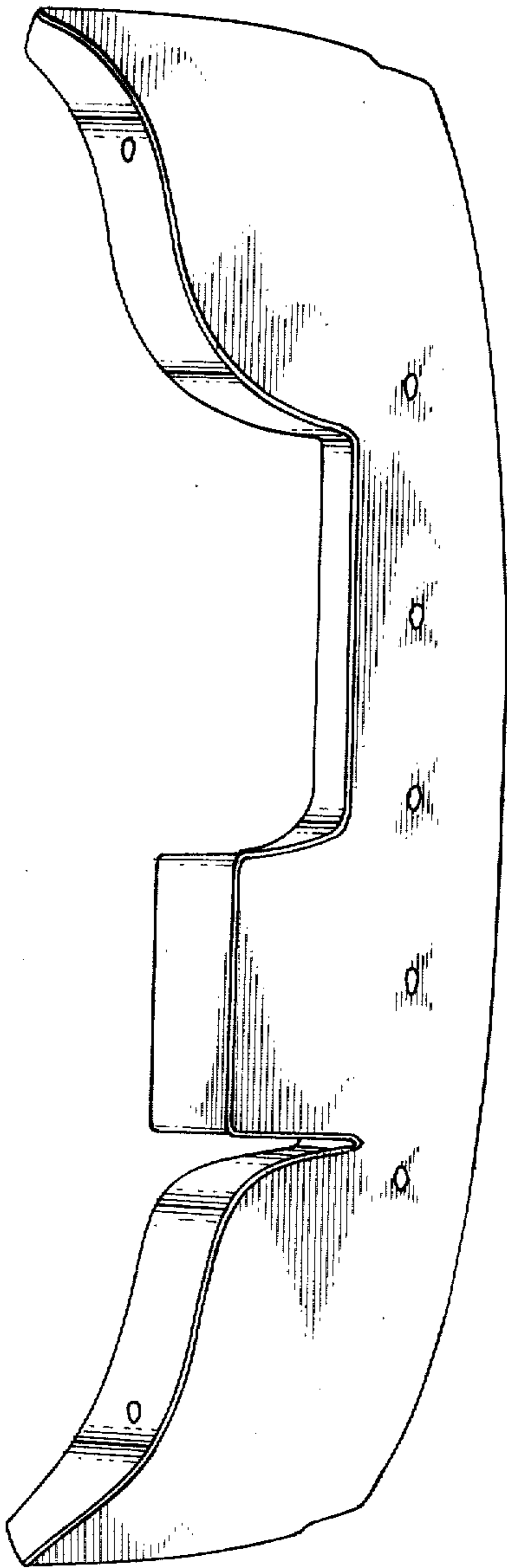
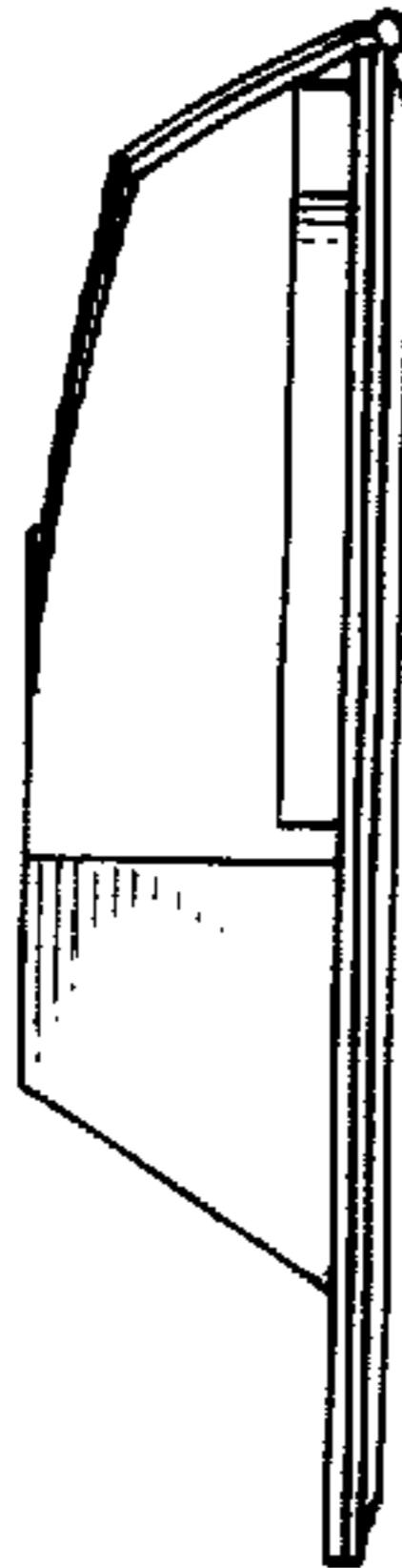


*Fig. 12*



*Fig. 11*

*Fig. 14*



*Fig. 15*