

United States Patent [19]
Groves

[11] **Des. 260,616**
 [45] **** Sep. 8, 1981**

[54] **ADJUSTABLE CARPENTERS SQUARE**

[76] Inventor: **Richard A. Groves**, 10141 Kilborne Rd., Rte. #2, Sunbury, Ohio 43074

[**] Term: **14 Years**

[21] Appl. No.: **48,848**

[22] Filed: **Jun. 15, 1979**

[51] Int. Cl. **D10-04**

[52] U.S. Cl. **D10/65; D10/62**

[58] Field of Search **D10/61, 62, 65; 33/418, 33/420, 421, 422, 423, 424, 426**

[56] **References Cited**

U.S. PATENT DOCUMENTS

53,397	3/1866	Branch	33/424
D. 142,051	8/1945	White	D10/65 X
230,975	8/1880	Walters	33/418 X

D. 246,699	12/1977	Pingel	D10/65
538,051	4/1895	Taylor	33/418
1,126,263	1/1915	Norris	33/418
1,237,790	8/1917	Kidder	33/420

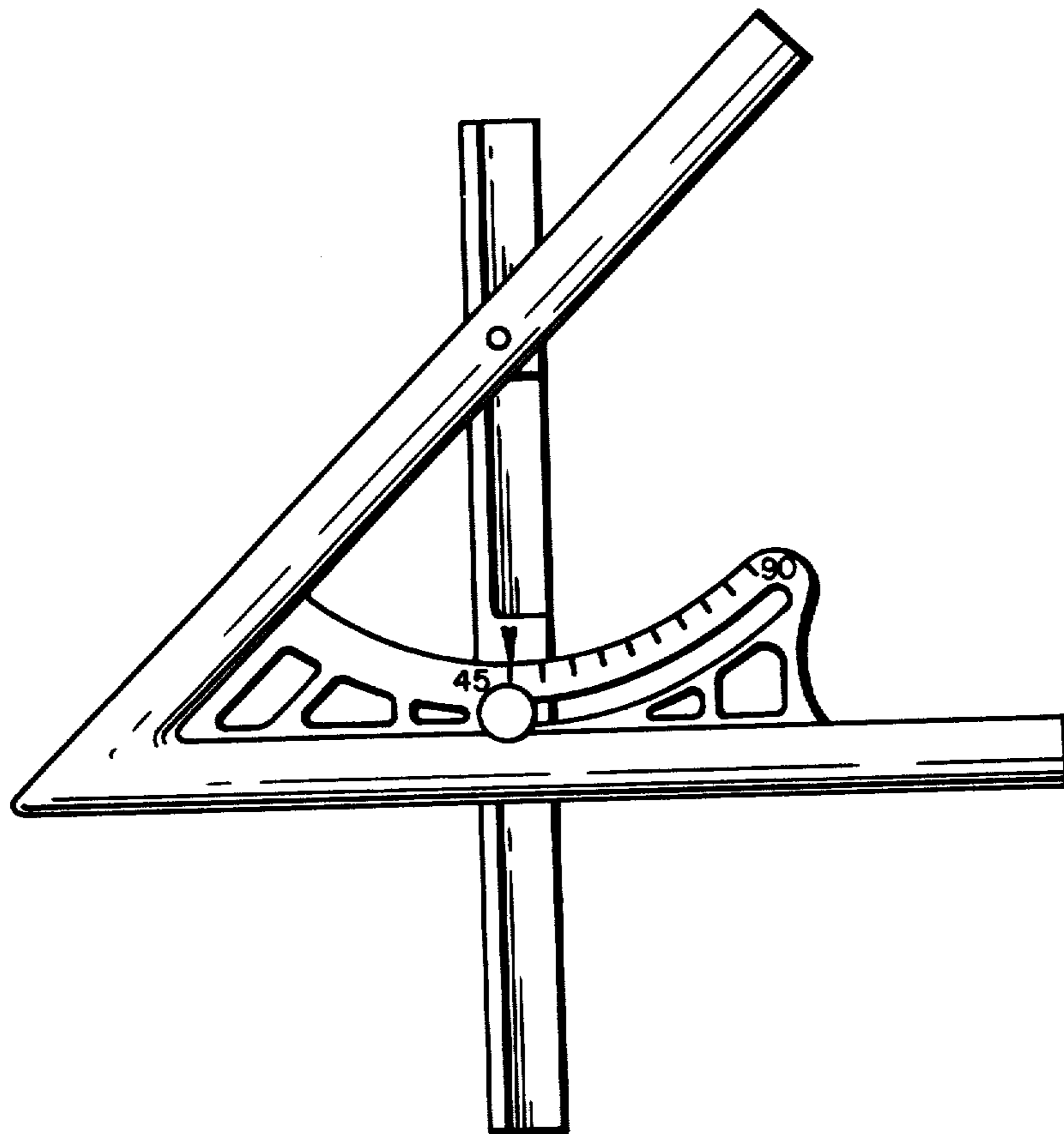
Primary Examiner—Nelson C. Holtje
Attorney, Agent, or Firm—Millard & Cox

[57] **CLAIM**

The ornamental design for an adjustable carpenter's square, as shown.

DESCRIPTION

FIG. 1 is a top plan view of an adjustable carpenter's square showing my new design;
 FIG. 2 is a right side elevational view thereof;
 FIG. 3 is a front elevational view thereof;
 FIG. 4 is a rear elevational view thereof;
 FIG. 5 is a bottom plan view thereof;
 FIG. 6 is a left side elevational view thereof.



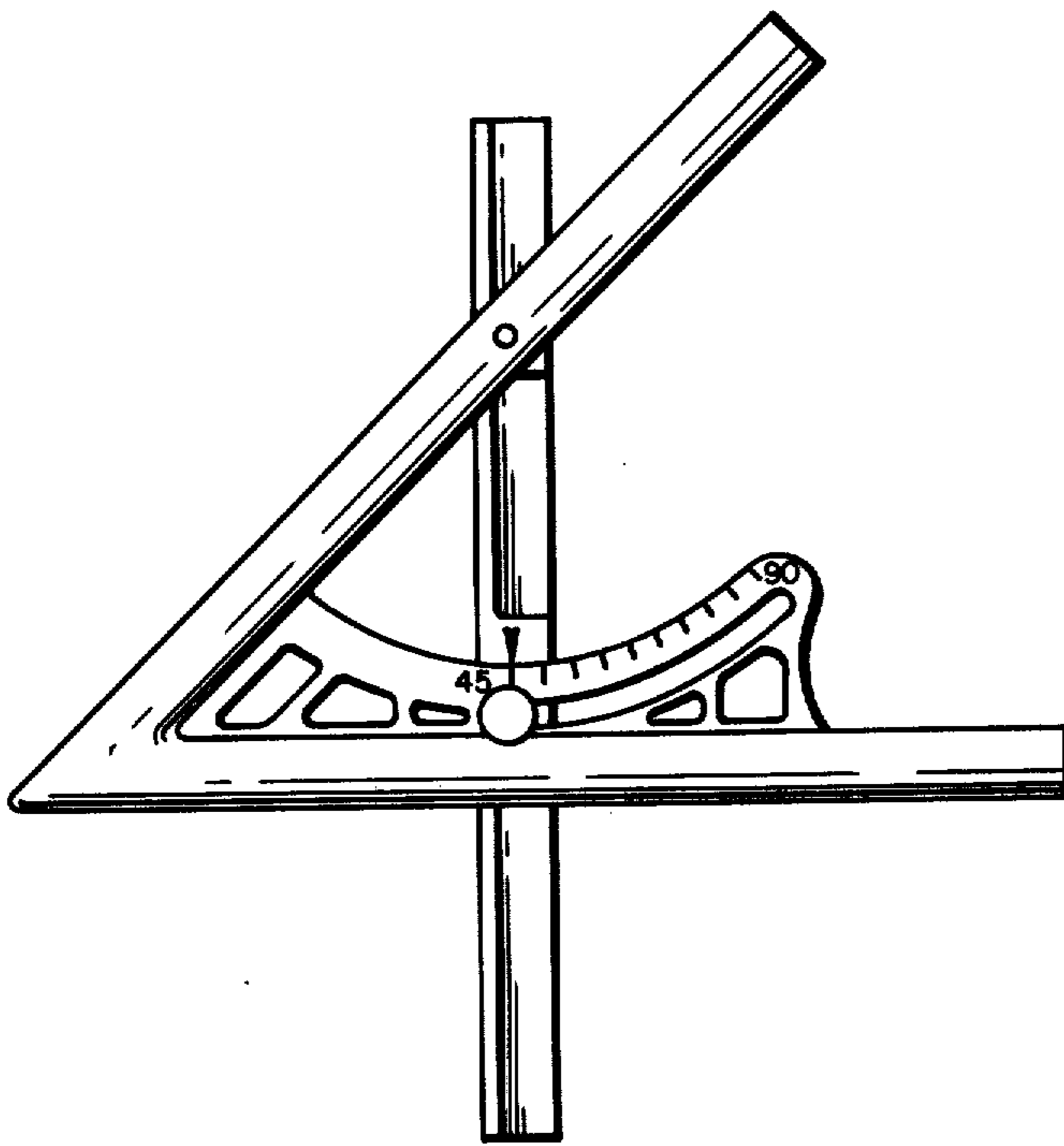


FIG. 1



FIG. 2



FIG. 3

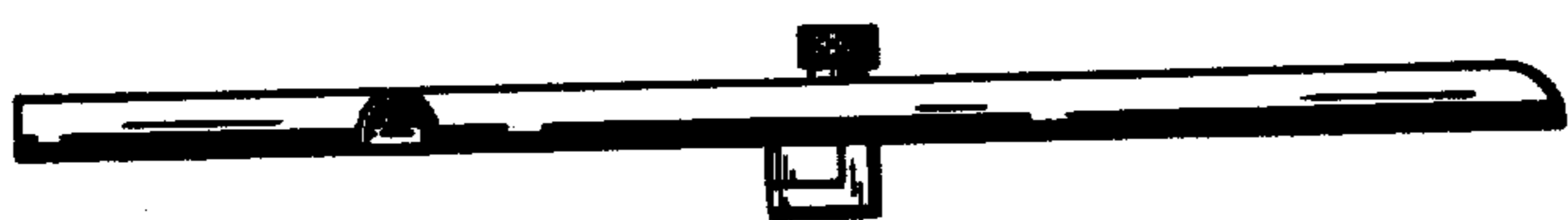


FIG. 4

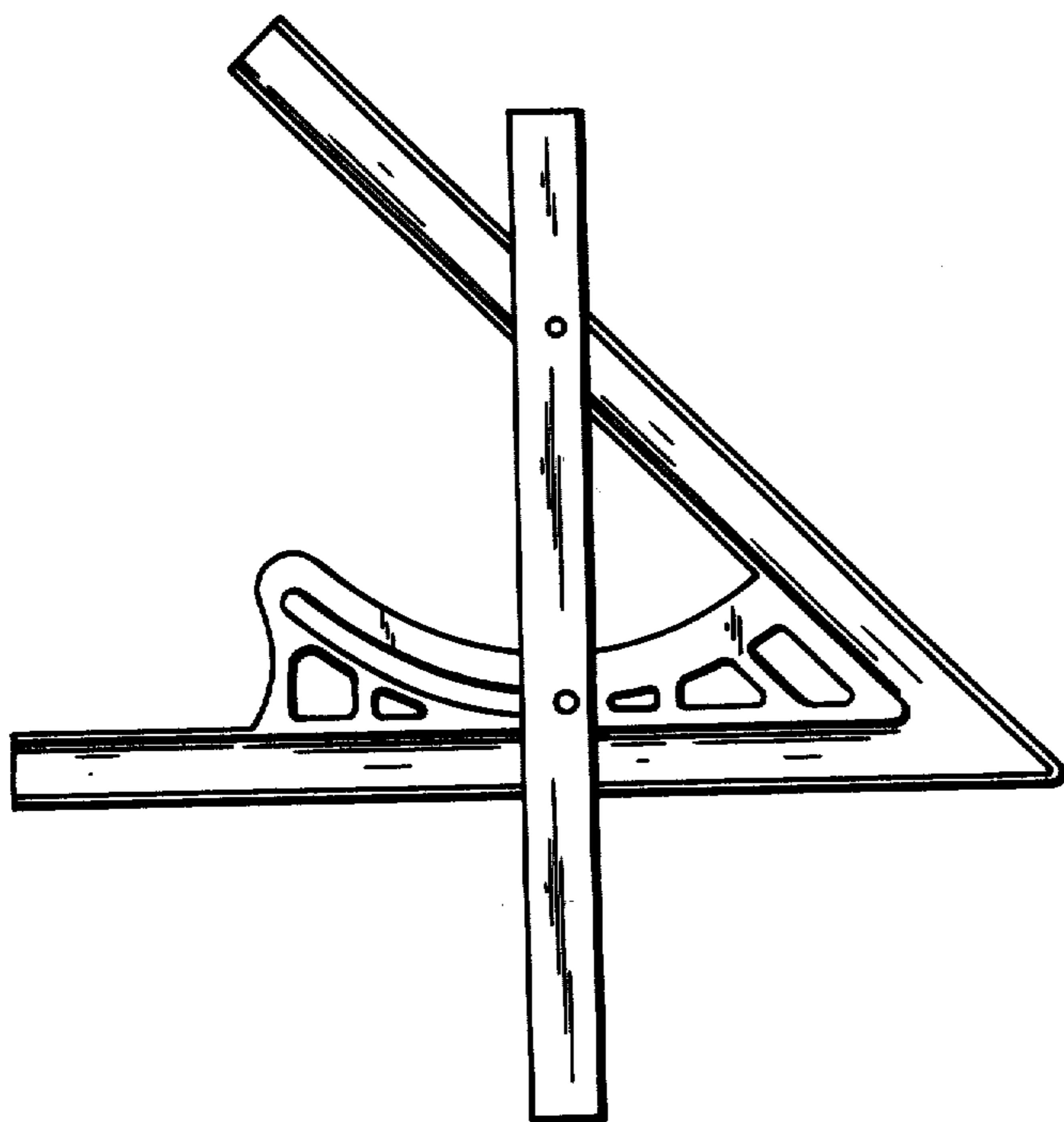


FIG. 5

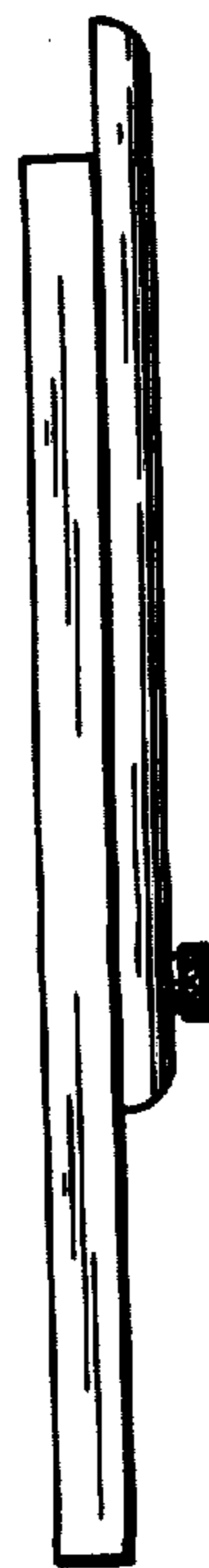


FIG. 6