

[54] **INSULATED FOOD SERVICE TRAY AND COVER**

[75] Inventor: **Edgar Otto**, Scotch Plains, N.J.

[73] Assignee: **Therma-Tray Corporation**, South Plainfield, N.J.

[\*\*] Term: **14 Years**

[21] Appl. No.: **919,708**

[22] Filed: **Jun. 27, 1978**

[51] Int. Cl. .... **D9-03**

[52] U.S. Cl. .... **D9/347; D7/16; D9/425**

[58] **Field of Search** ..... **D7/16, 38, 76, 77; D9/184, 185, 187, 222, 237, 240; 206/509, 545; 220/23.6, 23.8, 20, 902**

[56] **References Cited**

**U.S. PATENT DOCUMENTS**

D. 219,240	11/1970	Bridges et al.	.....	D7/38
D. 226,817	5/1973	Madalin	.....	D7/38
3,754,640	8/1973	Bridges	.....	220/236

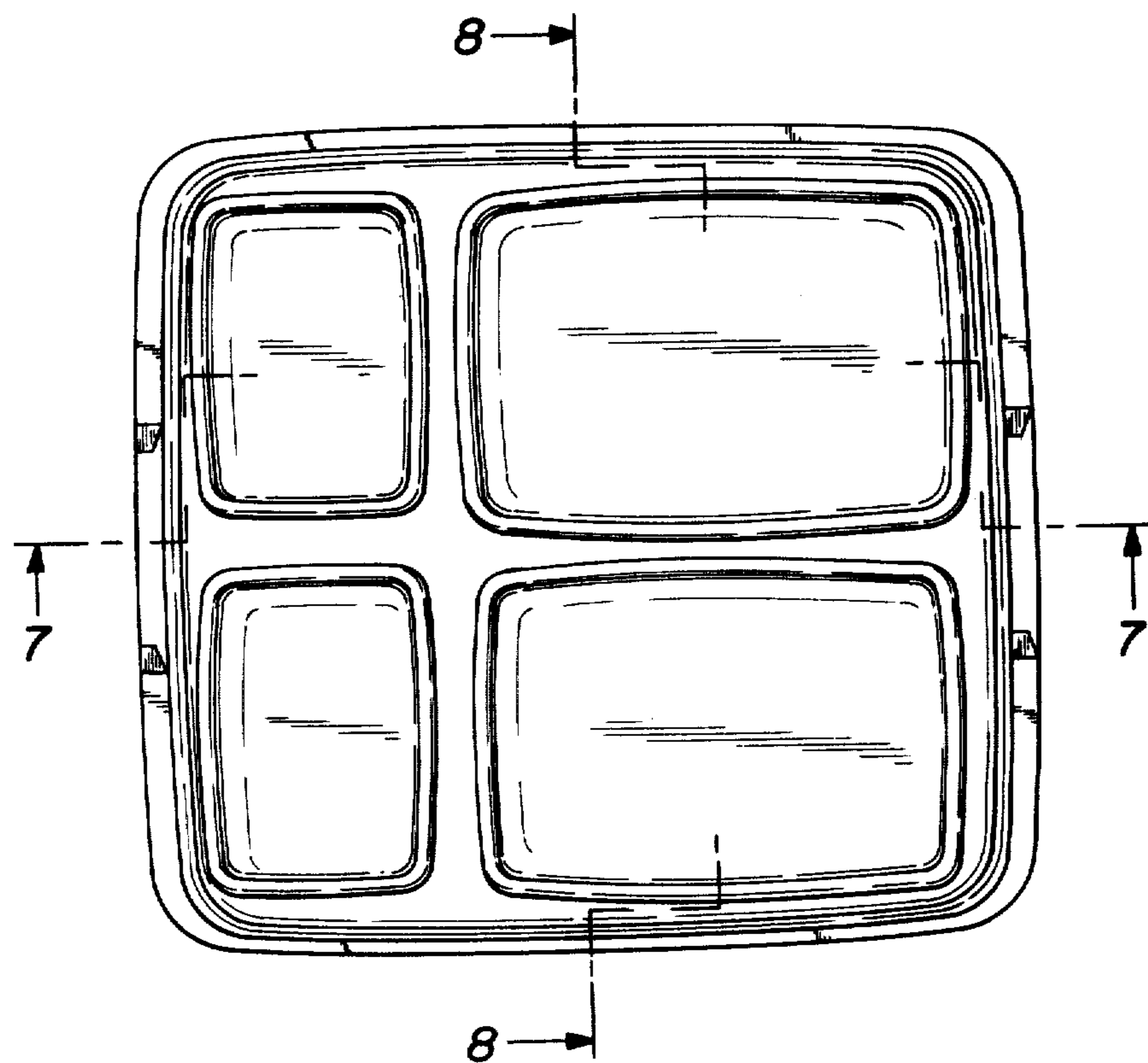
*Primary Examiner*—George G. Stellar  
*Attorney, Agent, or Firm*—Curtis, Morris & Safford

[57] **CLAIM**

The ornamental design for an insulated food service tray and cover, as shown.

**DESCRIPTION**

FIG. 1 is a top plan view of an insulated food service tray and cover showing my new design; FIG. 2 is a front elevational view thereof; FIG. 3 is a side elevational view thereof; FIG. 4 is an opposite side elevational view thereof; FIG. 5 is a rear elevational view thereof; FIG. 6 is a bottom plan view thereof; FIG. 7 is a sectional view thereof taken on the line 7—7 of FIG. 1; FIG. 8 is a sectional view thereof taken on the line 8—8 of FIG. 1; FIG. 9 is a plan view thereof taken on the line 9—9 of FIG. 2; and FIG. 10 is a plan view thereof taken on the line 10—10 of FIG. 2.



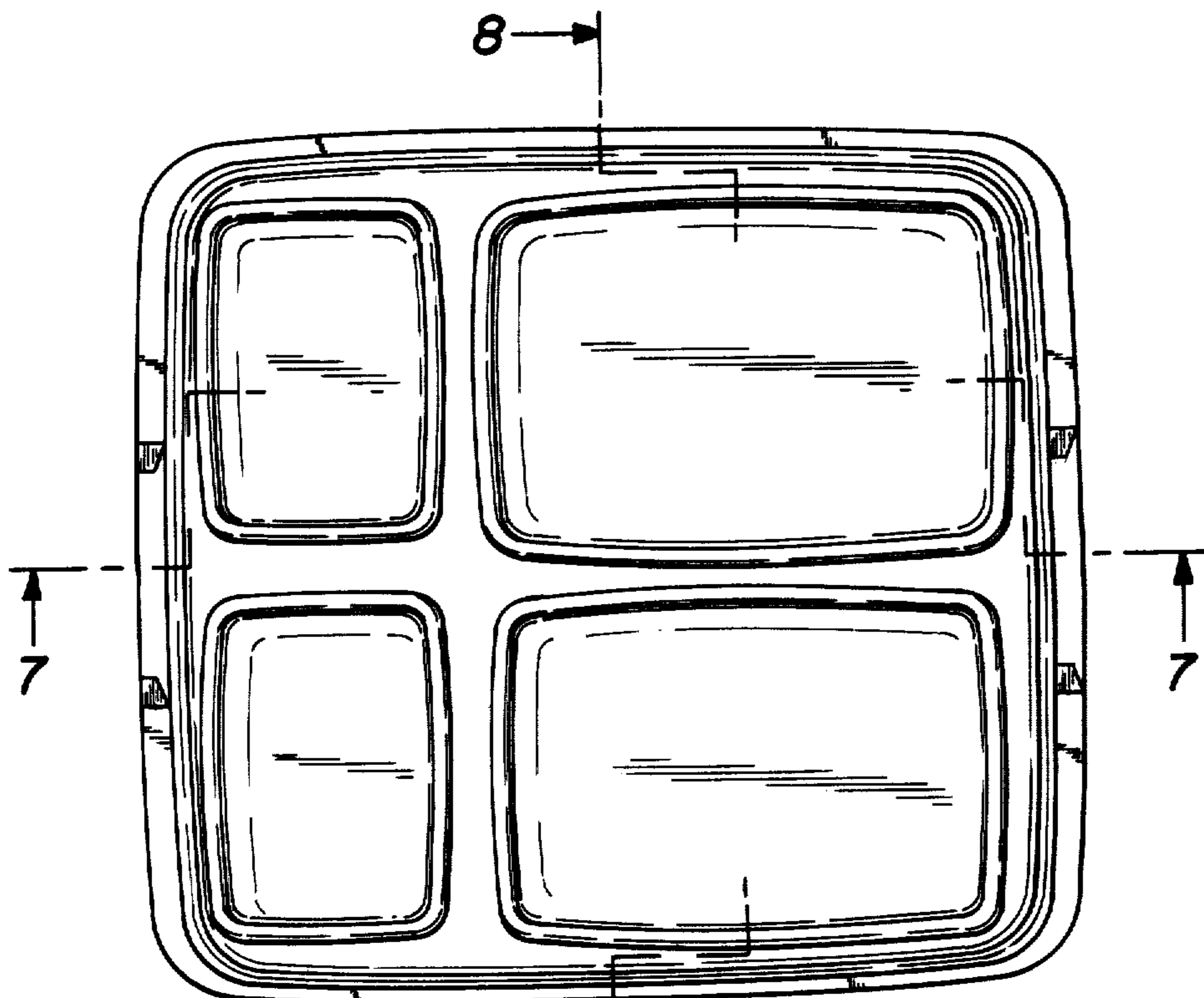
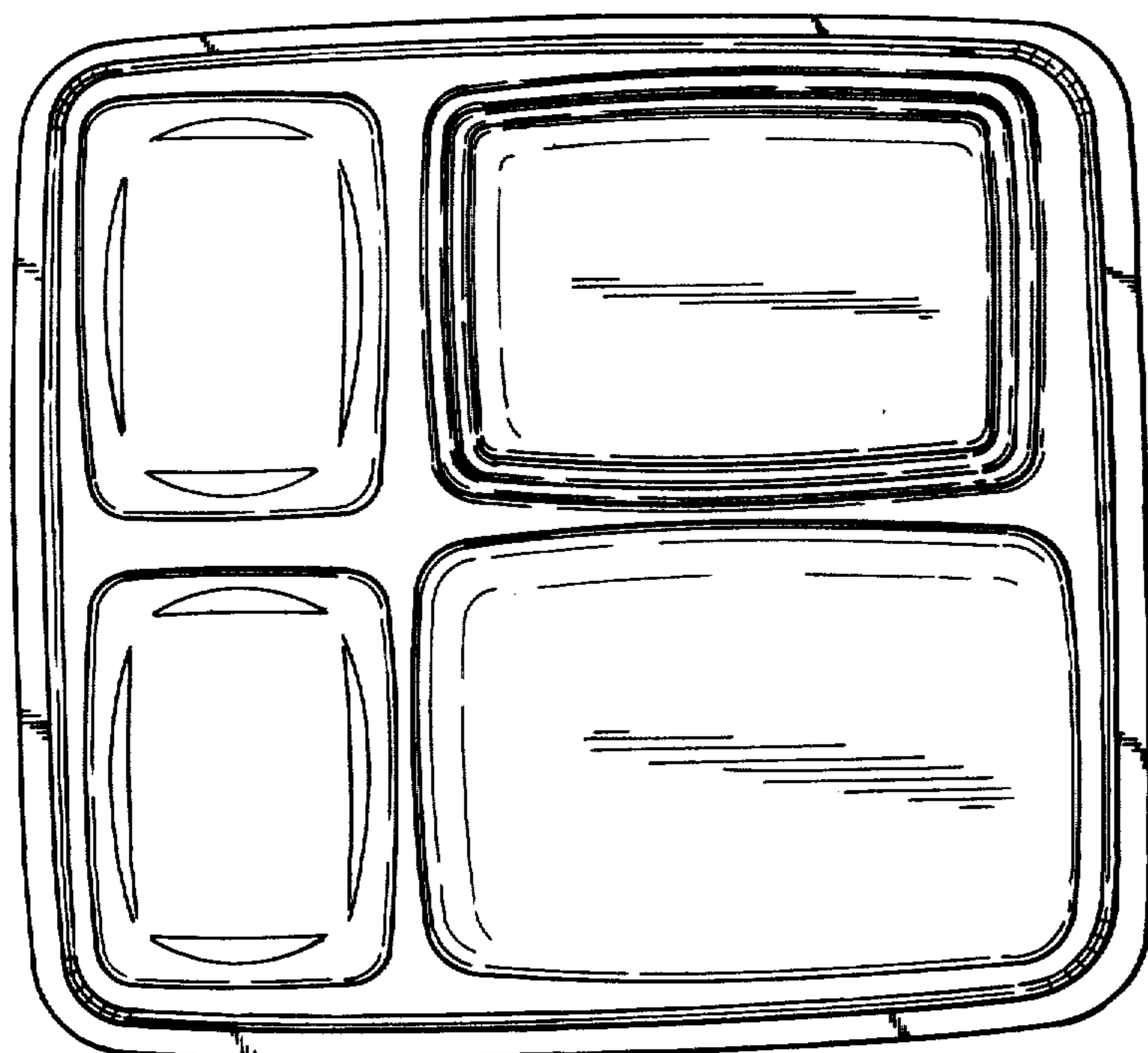


FIG. 1

FIG. 6



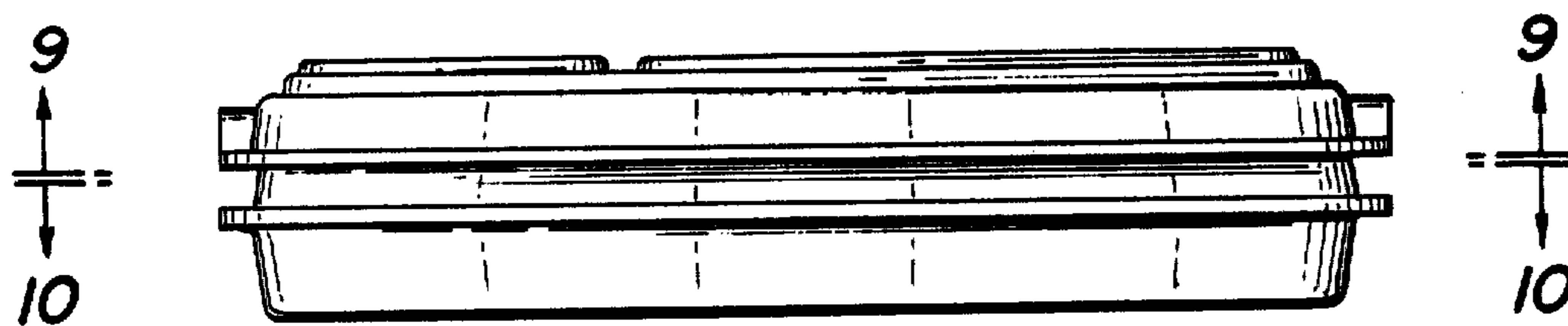
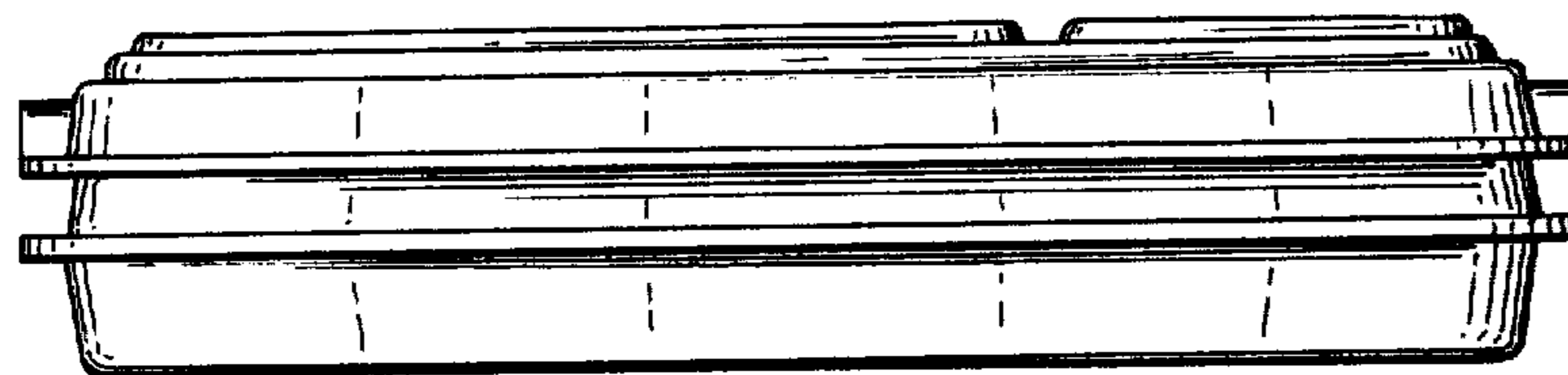


FIG. 2

FIG. 5



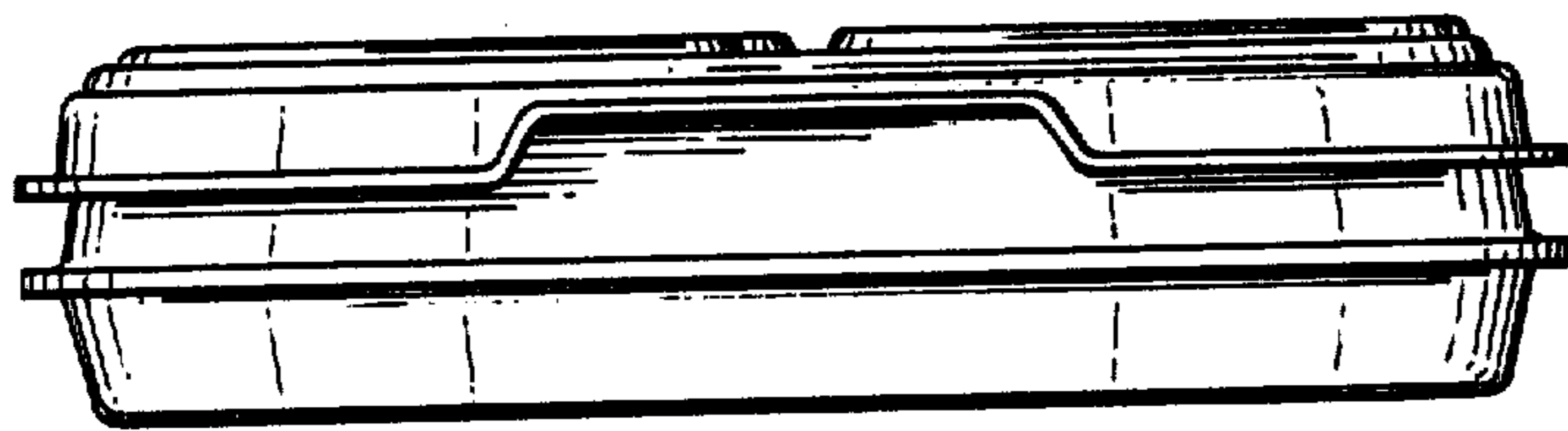
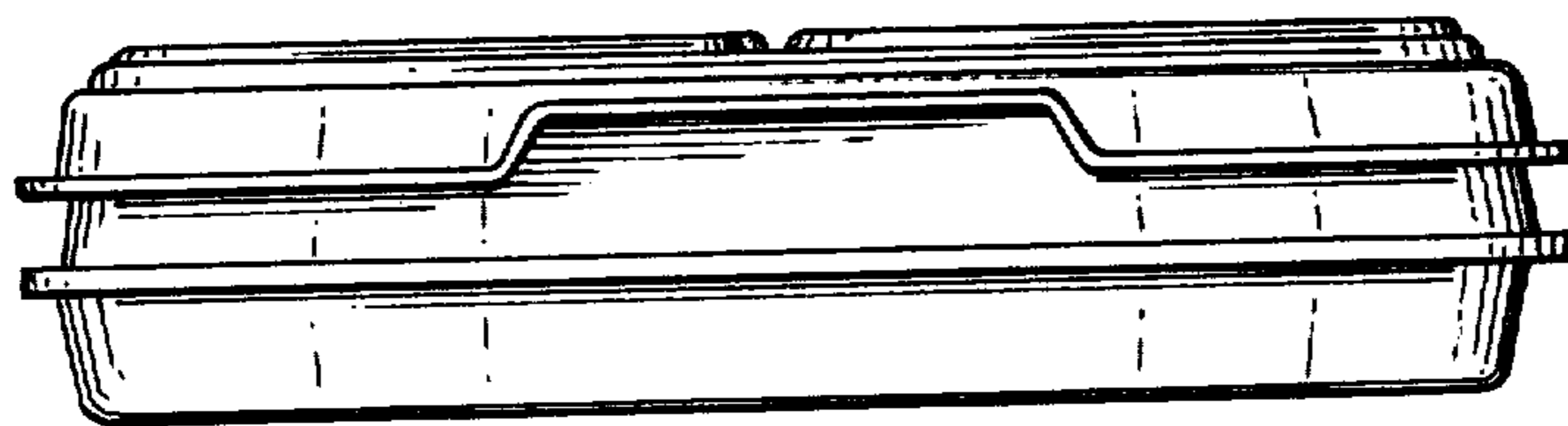


FIG. 3

FIG. 4



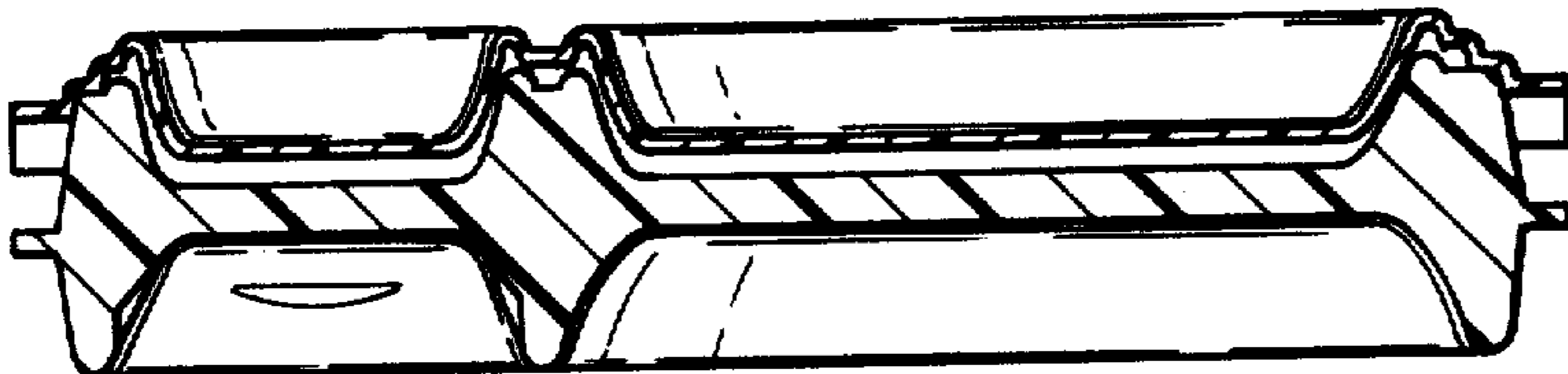
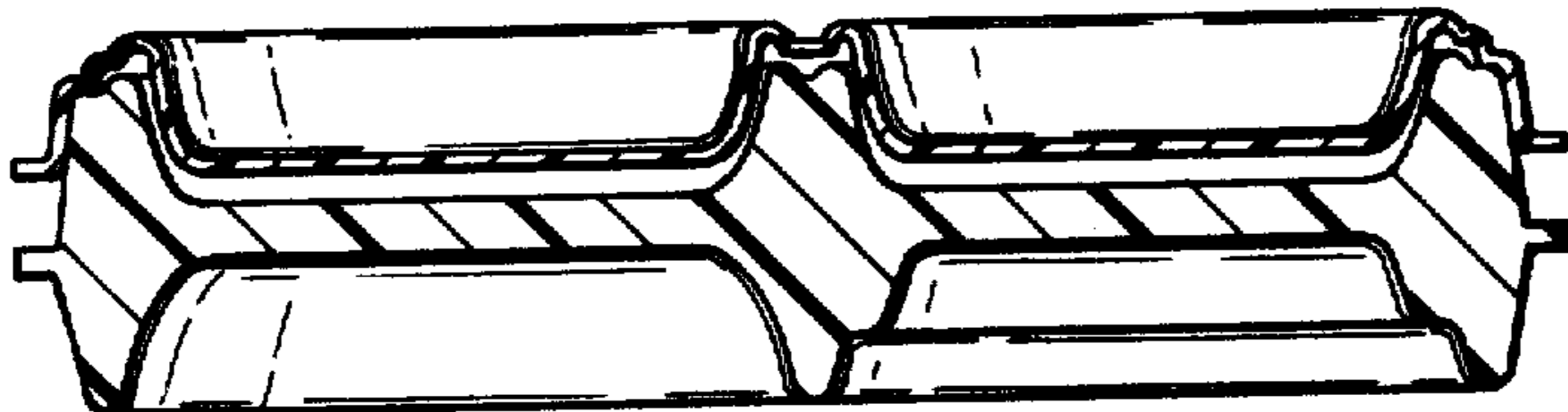


FIG. 7

FIG. 8



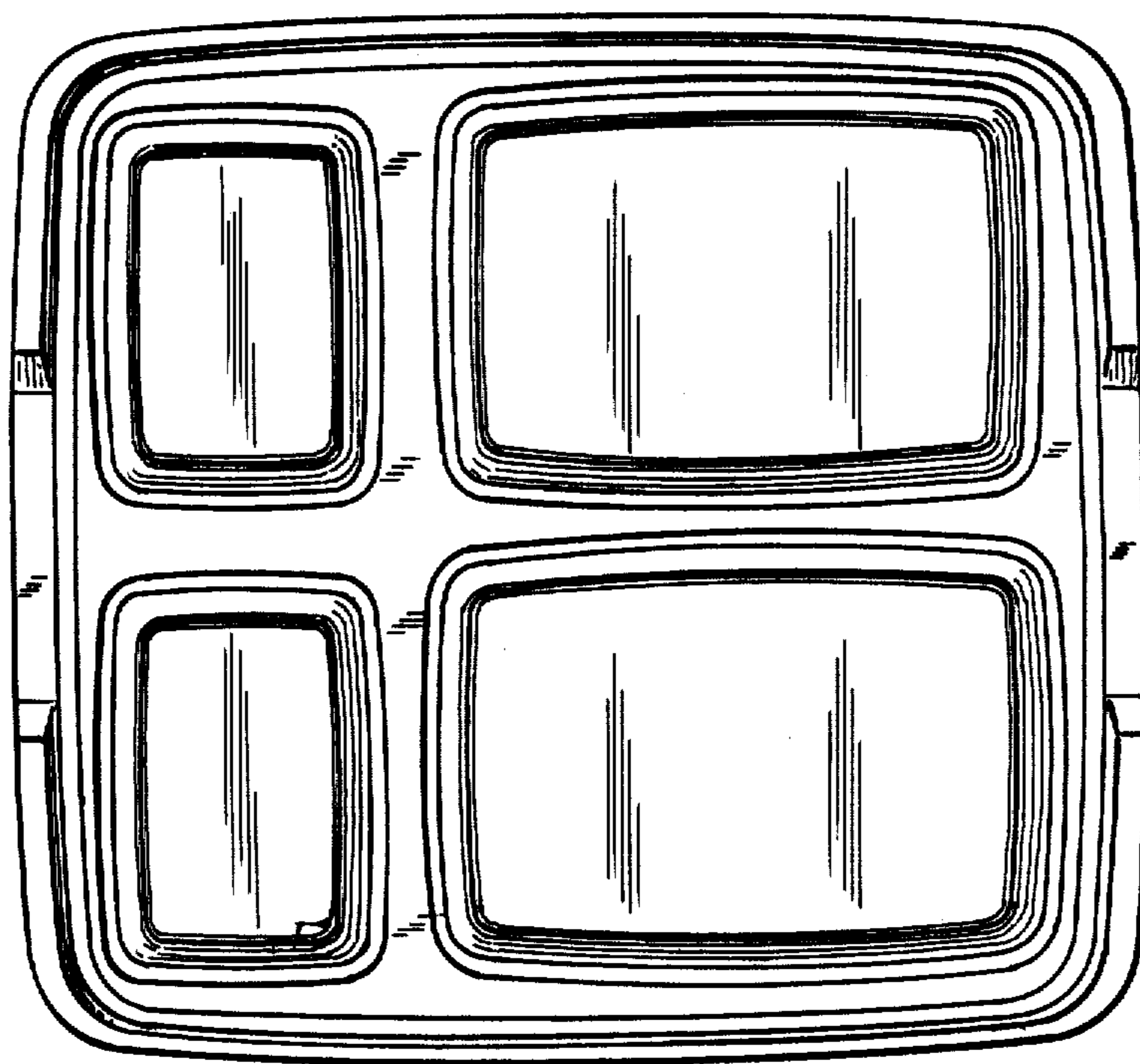


FIG. 9

FIG. 10

