

[54] BOTTLE AND CRATE CARRYING CASE

[75] Inventor: Marcel E. A. O'Donnal, Mexico City, Mexico

[73] Assignee: Plasticos Panamericanos, S.A. DE C.V., Mexico City, Mexico

[**] Term: 14 Years

[21] Appl. No.: 920,323

[22] Filed: Jun. 29, 1978

[30] Foreign Application Priority Data
Feb. 16, 1978 [MX] Mexico 1904

[51] Int. Cl. D9-03
[52] U.S. Cl. D99/49
[58] Field of Search D9/176, 177, 179;
206/427; 220/21, DIG. 2, DIG. 15

[56] References Cited

U.S. PATENT DOCUMENTS

3,701,449 10/1972 Schoeller 220/21
4,032,007 6/1977 Graser et al. 220/21

FOREIGN PATENT DOCUMENTS

1297456 11/1972 United Kingdom 220/21
1454645 11/1976 United Kingdom 220/21

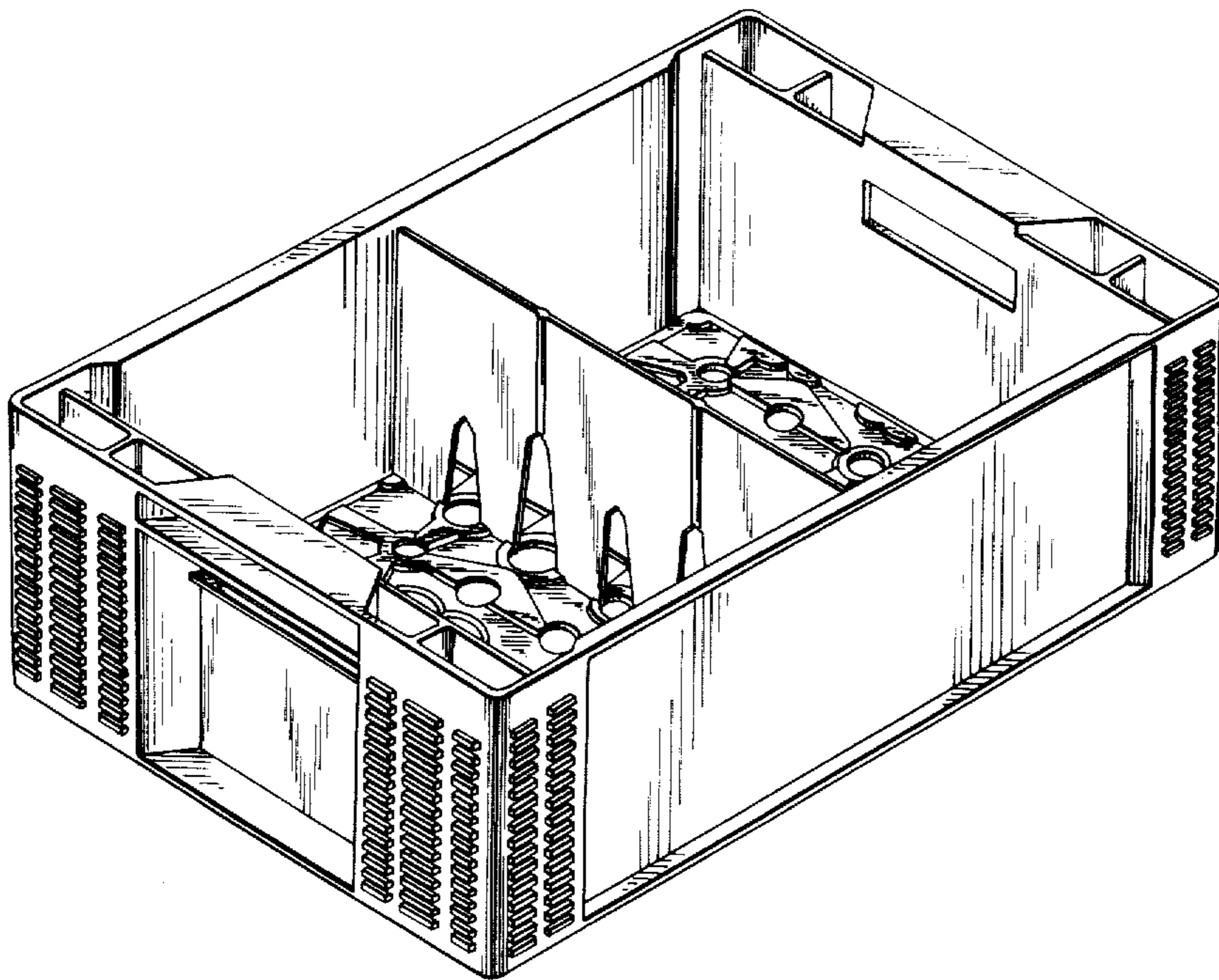
Primary Examiner—George G. Stellar
Attorney, Agent, or Firm—Lowe, King, Price & Becker

[57] CLAIM

The ornamental design for a bottle and crate carrying case, as shown.

DESCRIPTION

FIG. 1 is a perspective view of a bottle and crate carrying case showing my new design; FIG. 2 is a top plan view thereof; FIG. 3 is a bottom view thereof; FIG. 4 is a side view thereof; and FIG. 5 is an end view thereof.



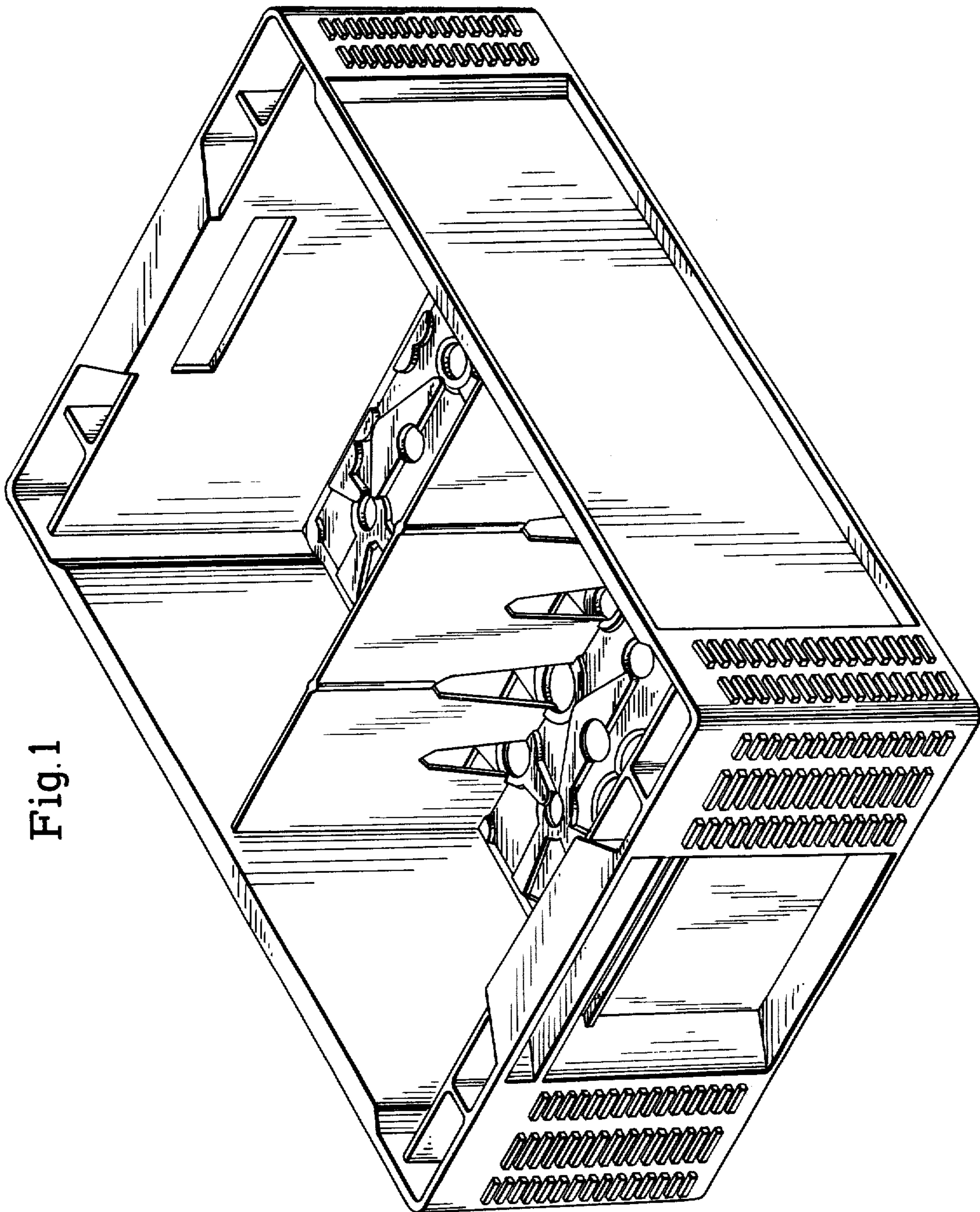


Fig.1

Fig. 2

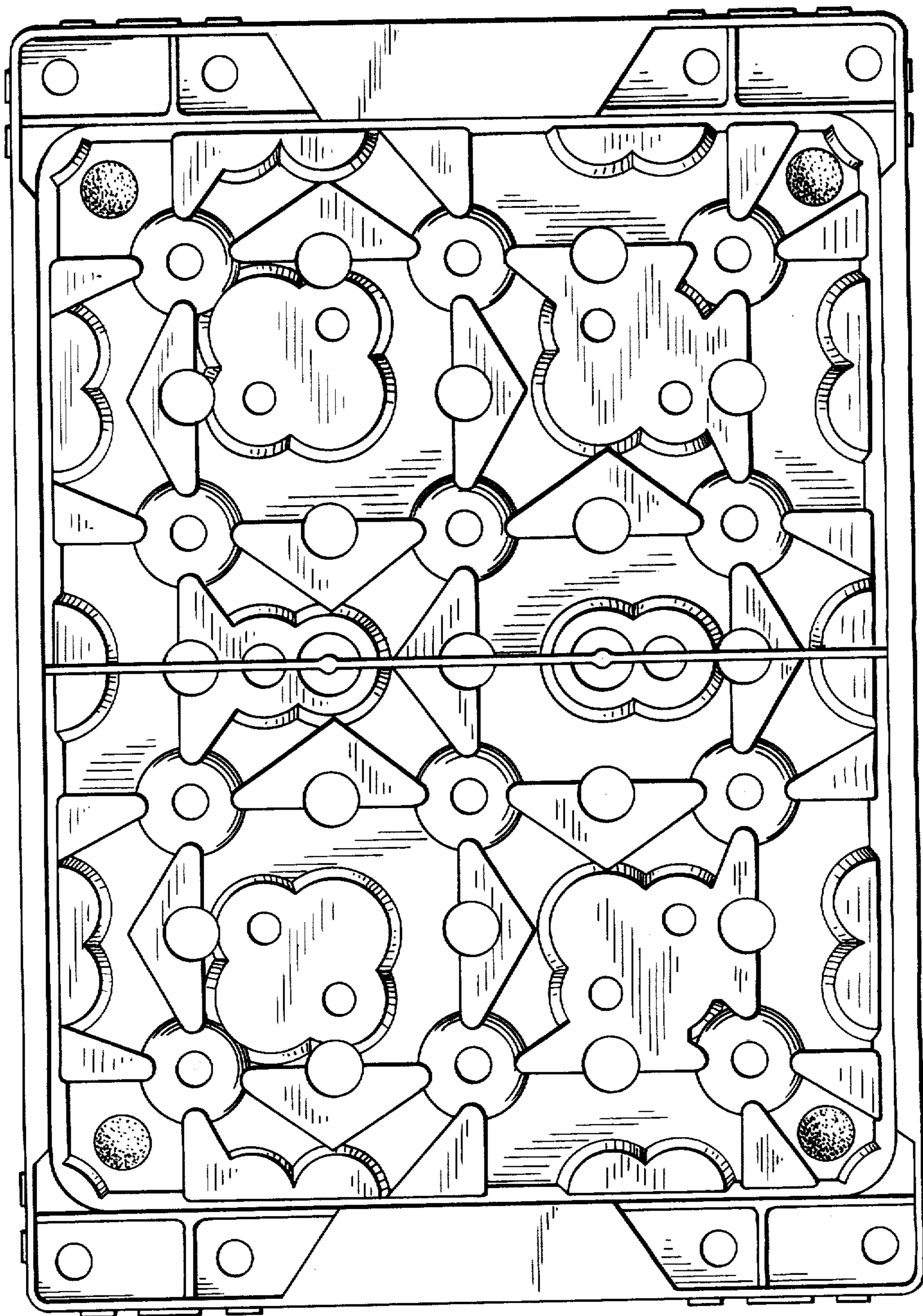


Fig. 3

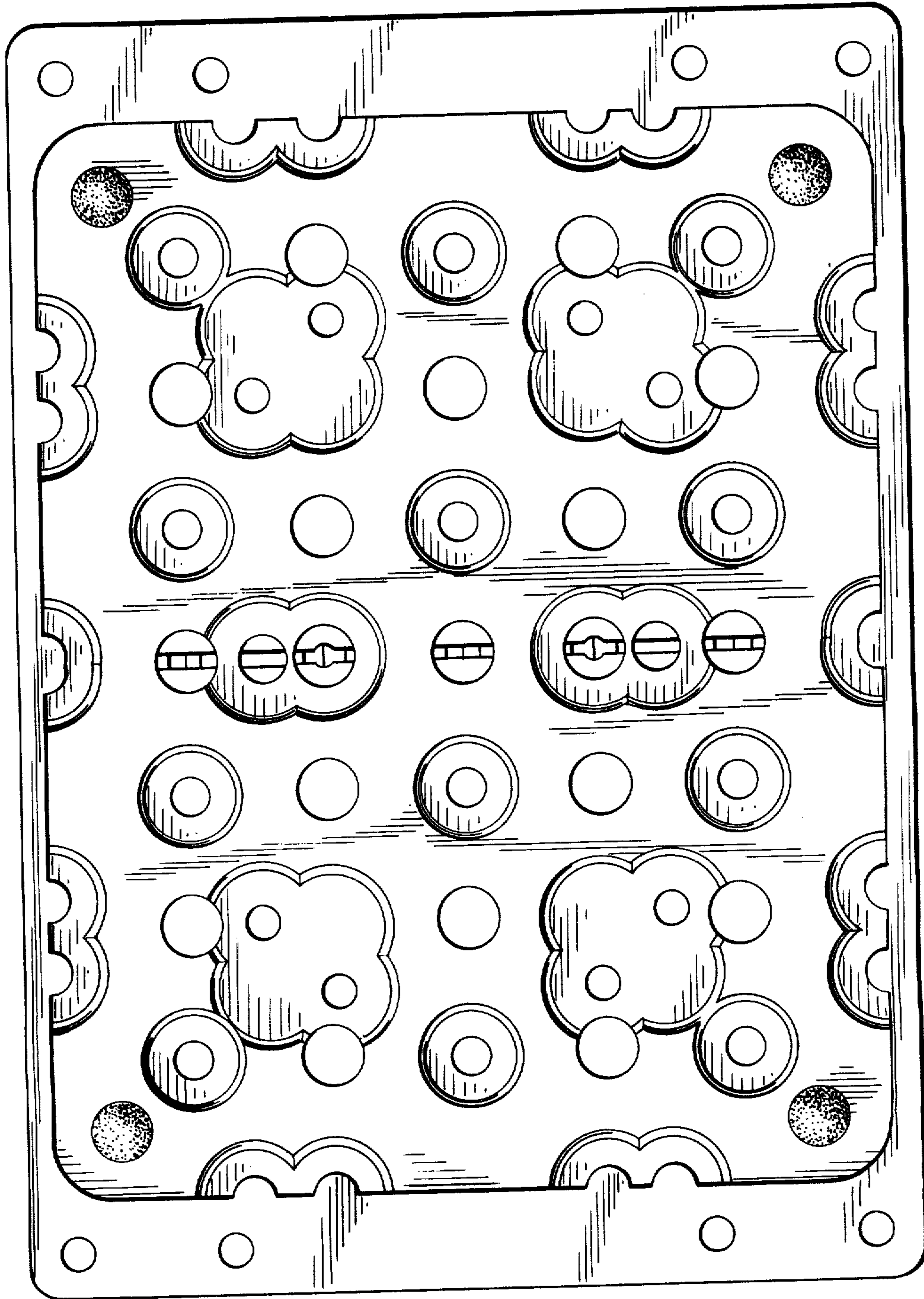


Fig. 4

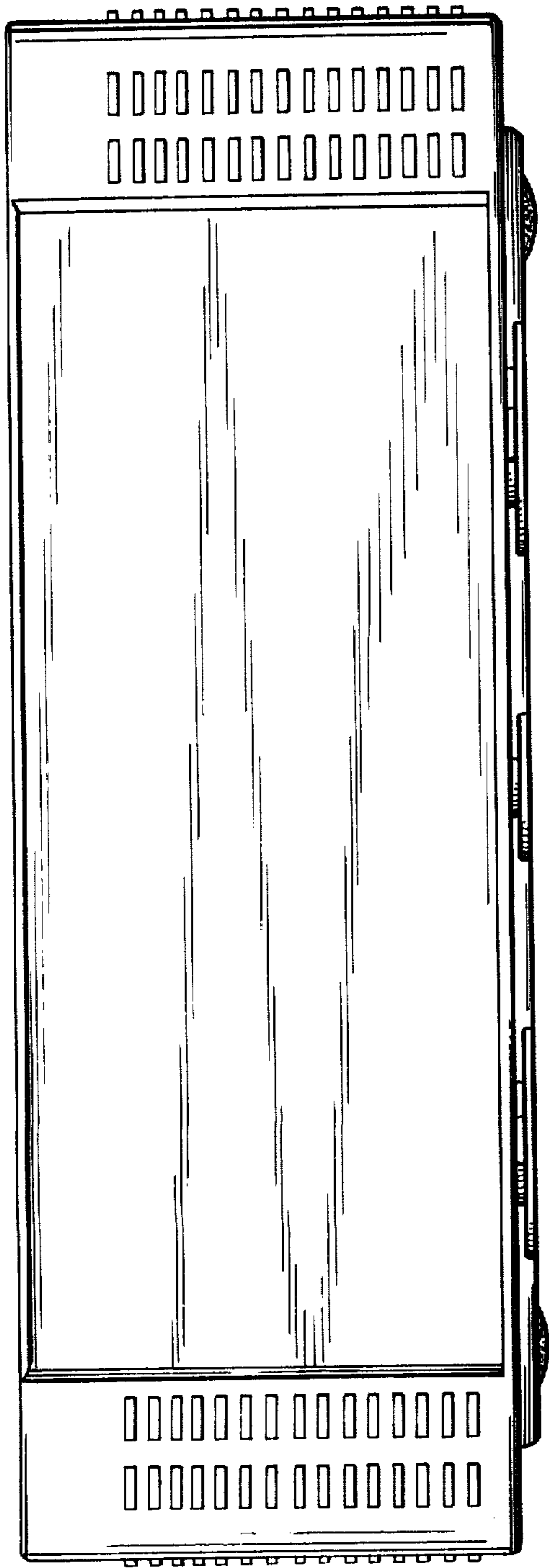


Fig. 5

