

[54] RATCHET SCREWDRIVER

[75] Inventor: Siu W. Wong, Kowloon, Hong Kong

[73] Assignee: Ching Wah Metal Ware Factory Limited, Kowloon, Hong Kong

[**] Term: 7 Years

[21] Appl. No.: 21,984

[22] Filed: Mar. 19, 1979

[51] Int. Cl. D8-04

[52] U.S. Cl. D8/82; D8/83;
D8/85; D8/86

[58] Field of Search D8/82, 83, 84, 85, 86,
D8/87, 25, 29; 145/61 L, 75; 81/177 R, 121 R,
436-461

[56] **References Cited**
U.S. PATENT DOCUMENTS

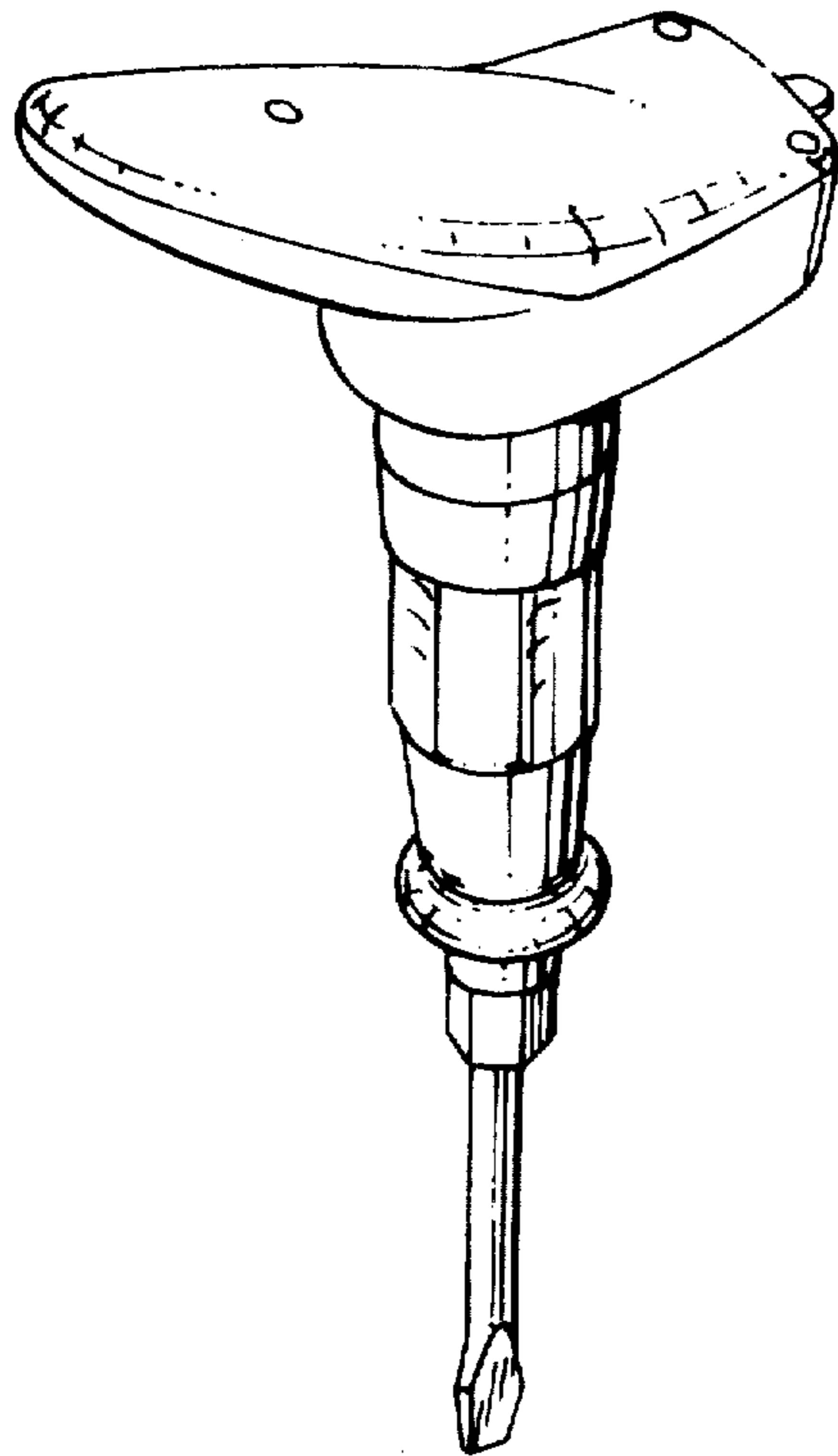
D. 204,125	3/1966	Enrietto	D8/82
902,957	3/1908	Furbish	D8/82
1,776,928	9/1930	Potts	145/61 L
3,080,900	3/1963	Rosenberg	145/75

Primary Examiner—Veronica O’Keefe
Attorney, Agent, or Firm—Wenderoth, Lind & Ponack

[57] **CLAIM**
The ornamental design for a ratchet screwdriver, substantially as shown.

DESCRIPTION

FIG. 1 is a perspective view of the ratchet screwdriver of this invention from above and one side;
FIG. 2 is a perspective view thereof from below and the other side and
FIG. 3 is a side elevation thereof.



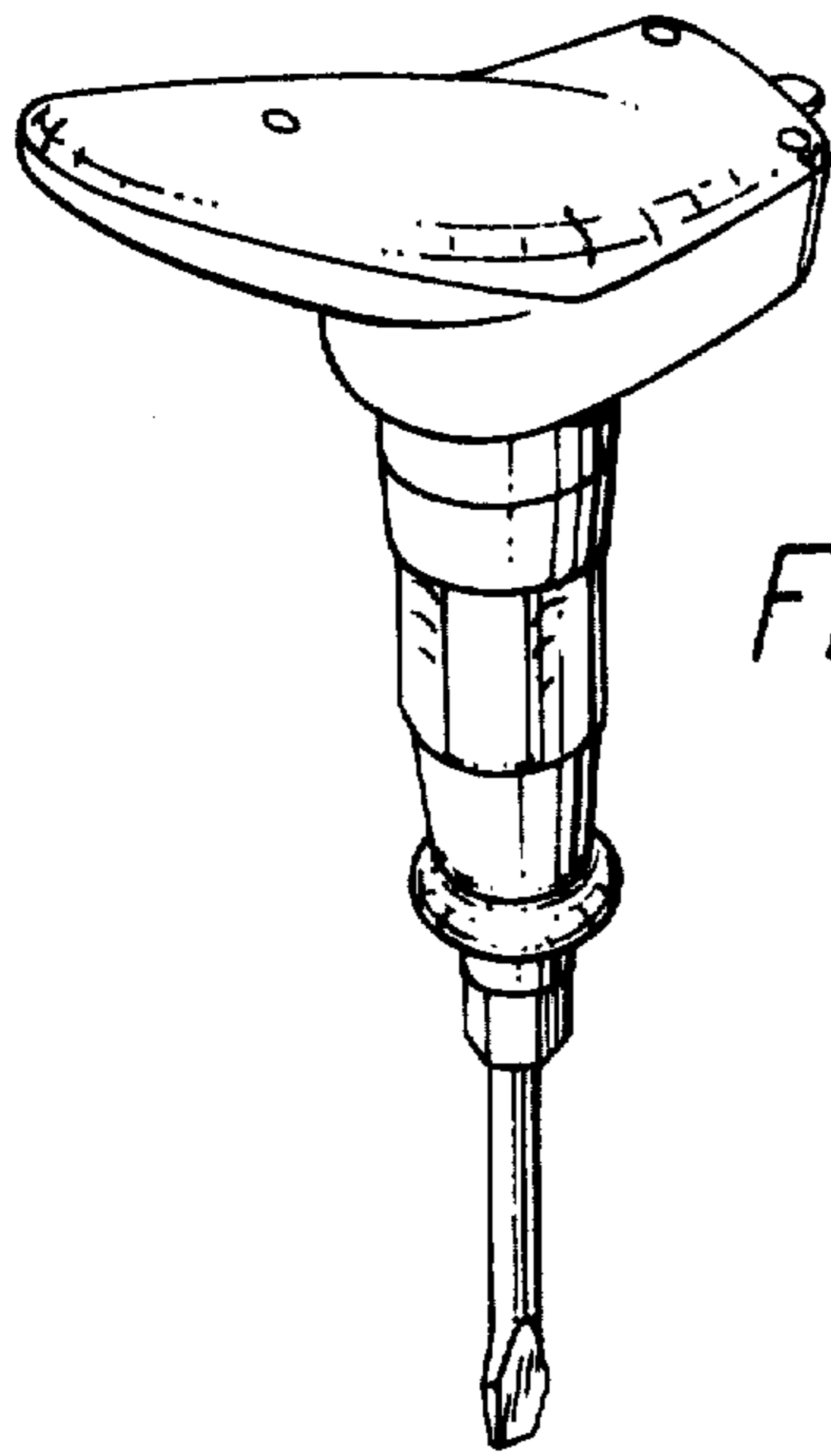


FIG. 1

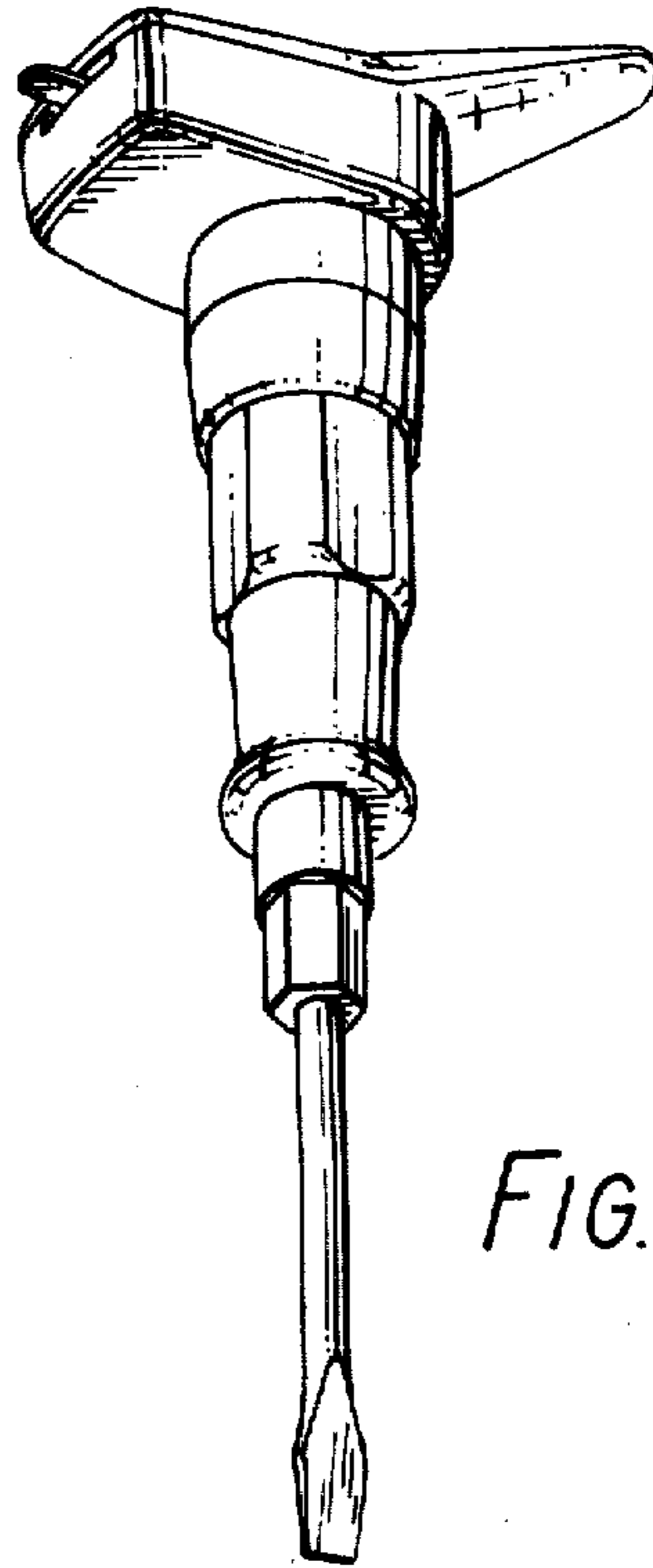


FIG. 2

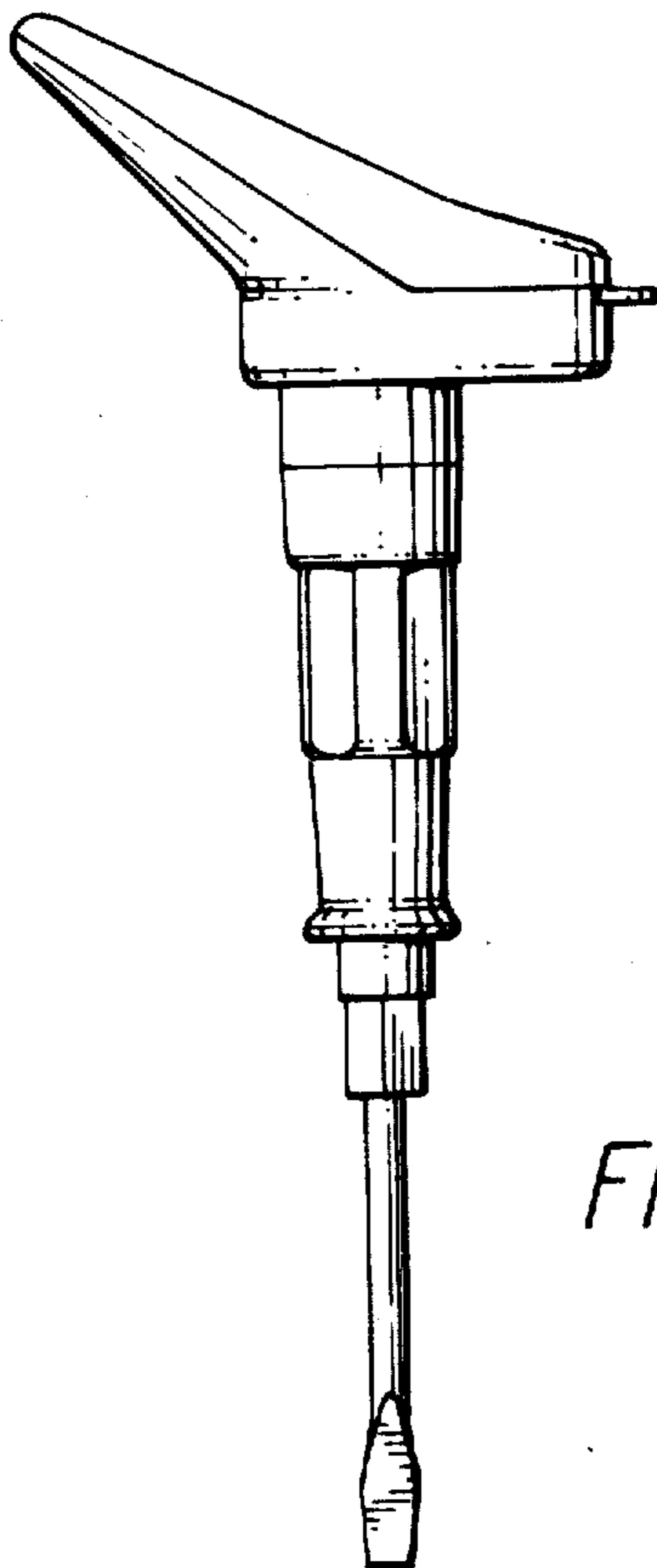


FIG. 3