

[54] GREASE INJECTOR

[75] Inventor: Tokunari Mathuda, Kagamihara,  
Japan

[73] Assignee: Mathuda Chunyuki Kabushiki  
Kaisha, Gifu, Japan

[\*\*] Term: 14 Years

[21] Appl. No.: 22,847

[22] Filed: Mar. 22, 1979

[51] Int. Cl. .... D8-05

[52] U.S. Cl. .... D8/14.1; 222/256;  
222/325; 222/327

[58] Field of Search ..... D8/14.1; 222/256, 325,  
222/327

[56]

References Cited

U.S. PATENT DOCUMENTS

D. 133,007	7/1942	Hawkins	.....	D8/14.1
2,318,928	5/1943	Deighton	.....	222/325
2,773,630	12/1956	Mascher et al.	.....	222/256
3,190,619	6/1965	Penney et al.	.....	222/327

Primary Examiner—Veronica O'Keefe  
Attorney, Agent, or Firm—Koda and Androlia

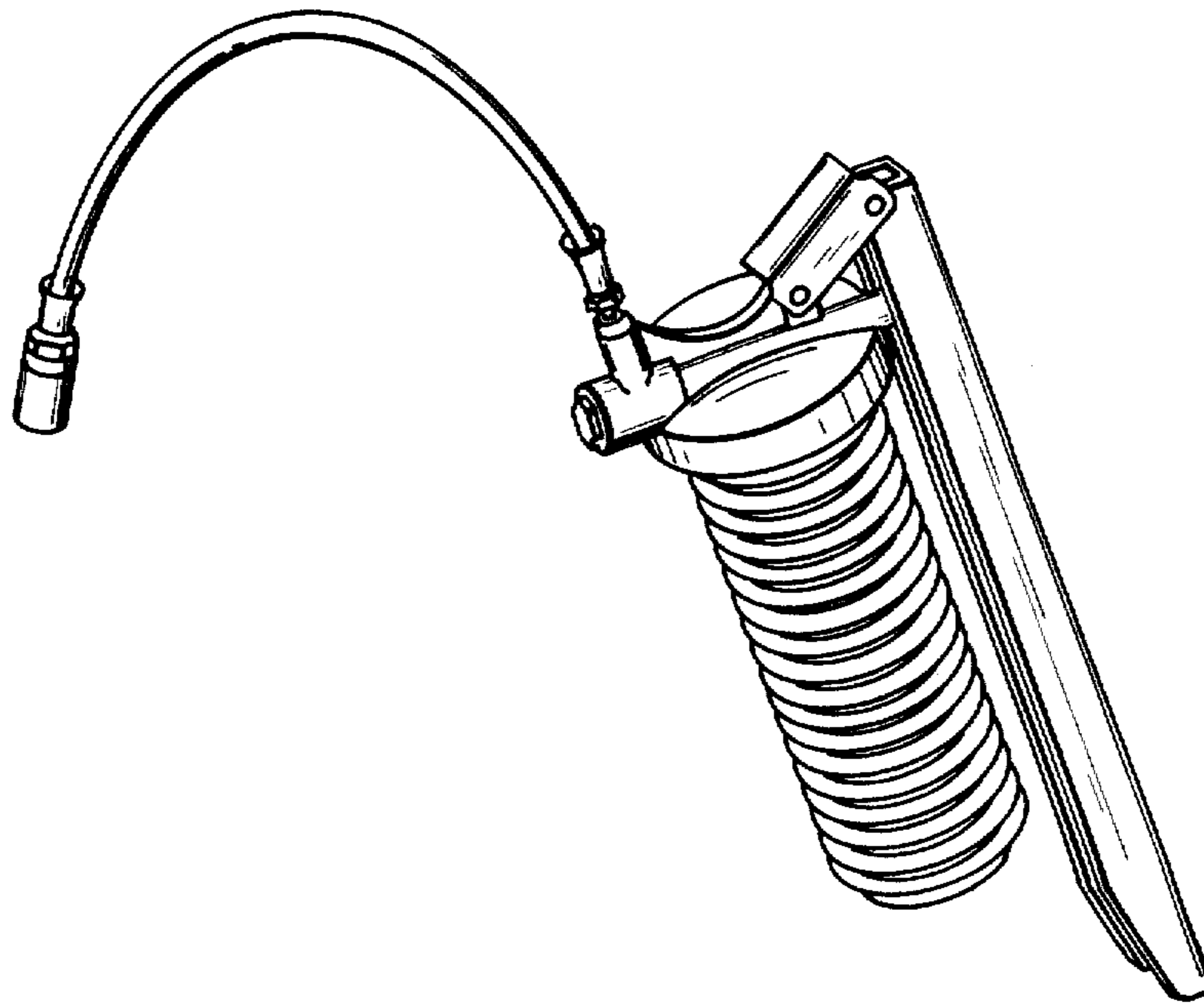
[57]

CLAIM

The ornamental design for a grease injector, substantially as shown and described.

DESCRIPTION

FIG. 1 is a perspective view of a grease injector showing my new design;  
FIG. 2 is a front elevational view thereof;  
FIG. 3 is a rear elevational thereof;  
FIG. 4 is a left side elevational view thereof;  
FIG. 5 is a right side elevational view thereof;  
FIG. 6 is a top plan view thereof; and  
FIG. 7 is a bottom view thereof.



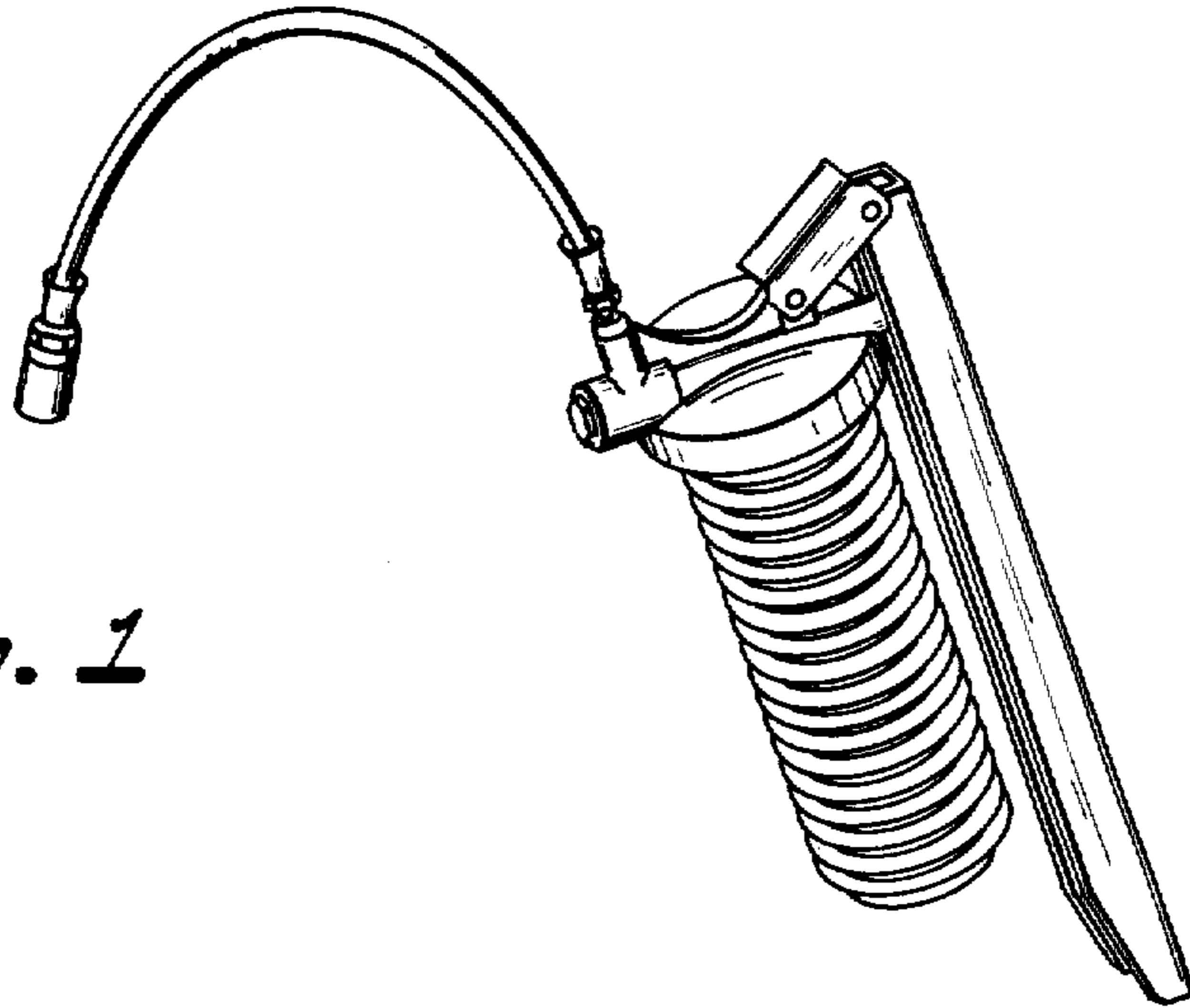


Fig. 1

Fig. 2

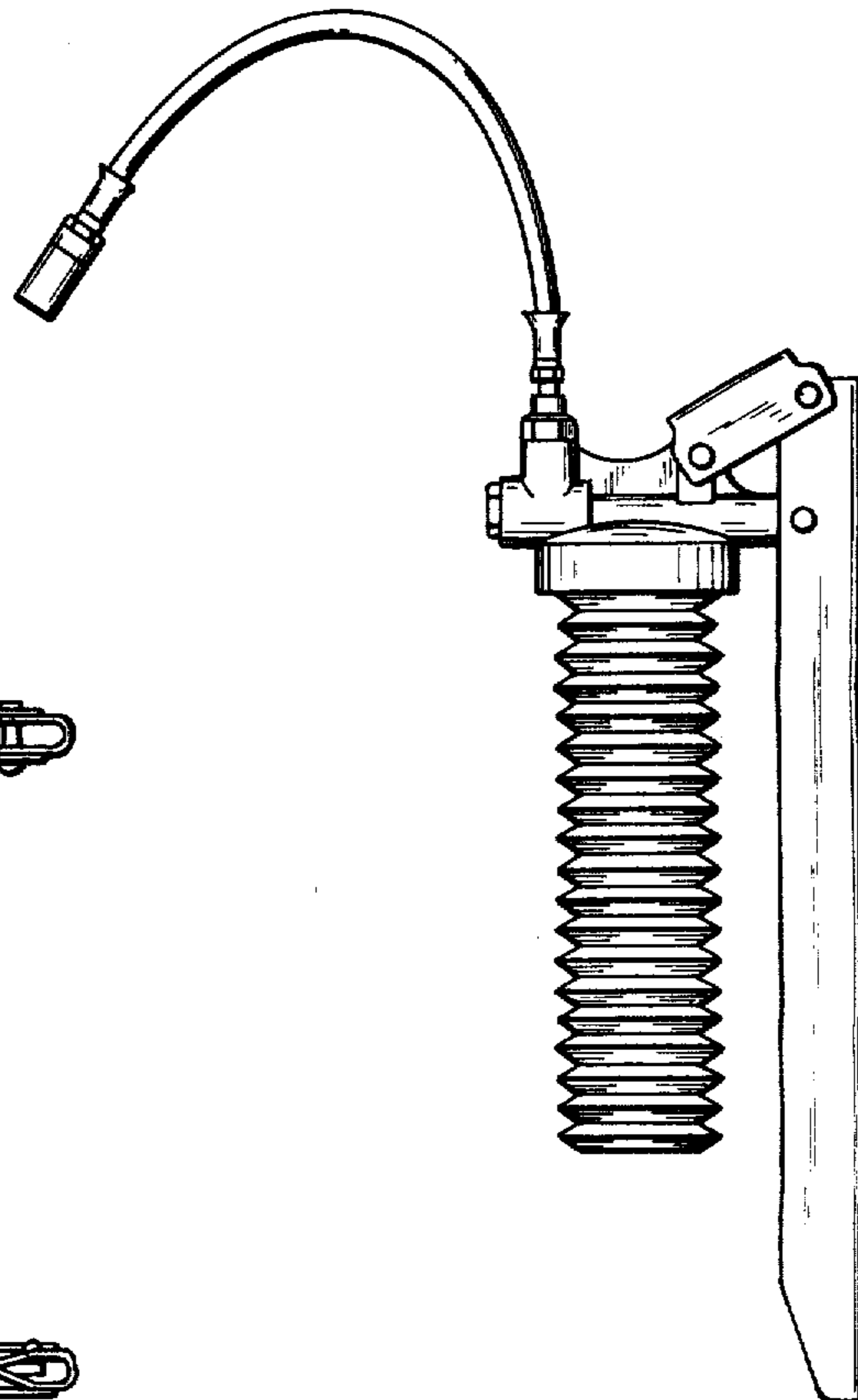


Fig. 3

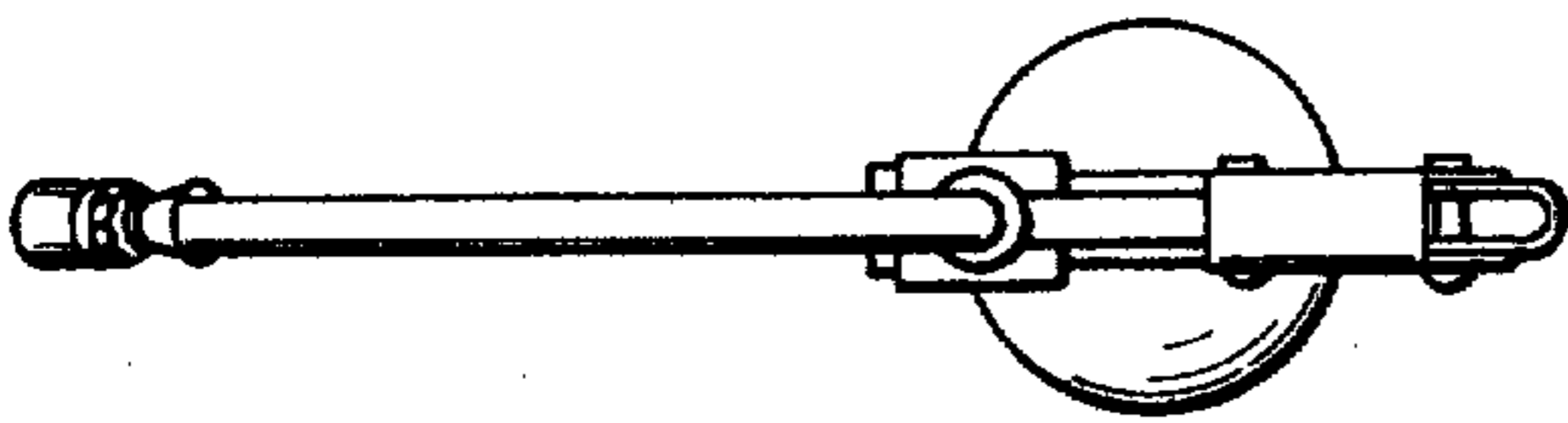


Fig. 4

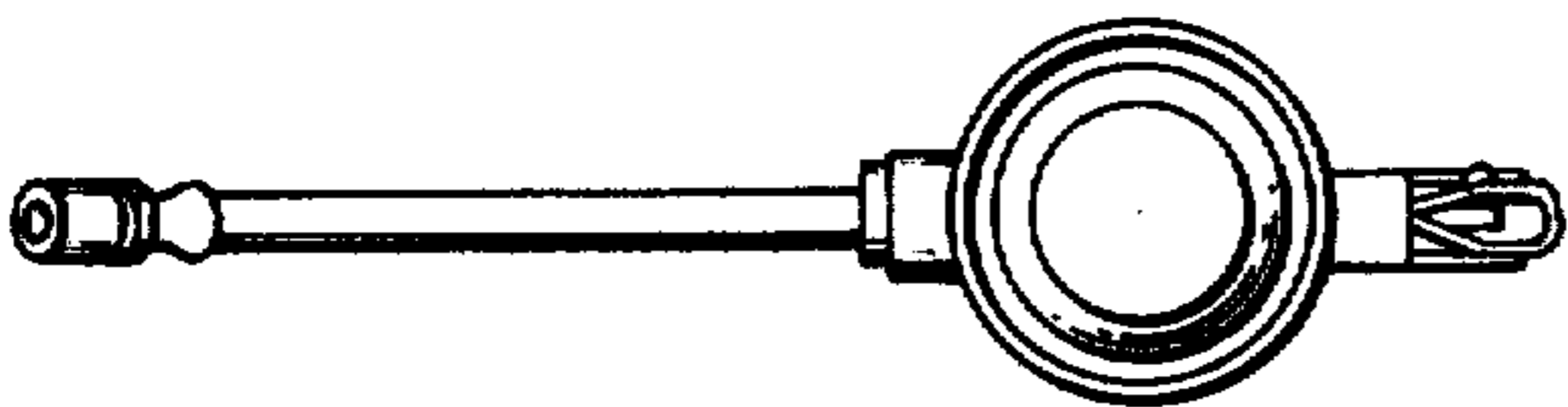


Fig. 3

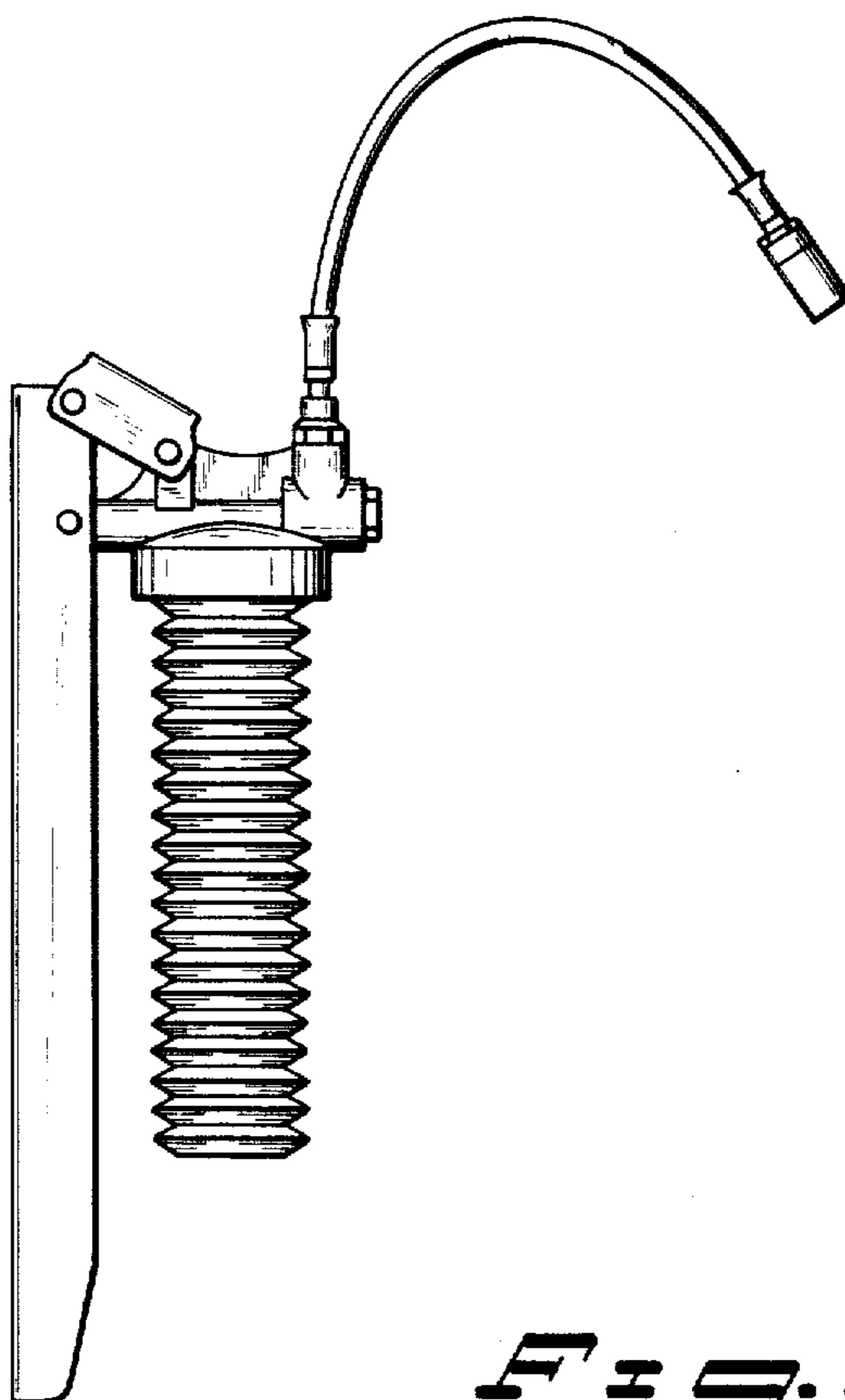


Fig. 4

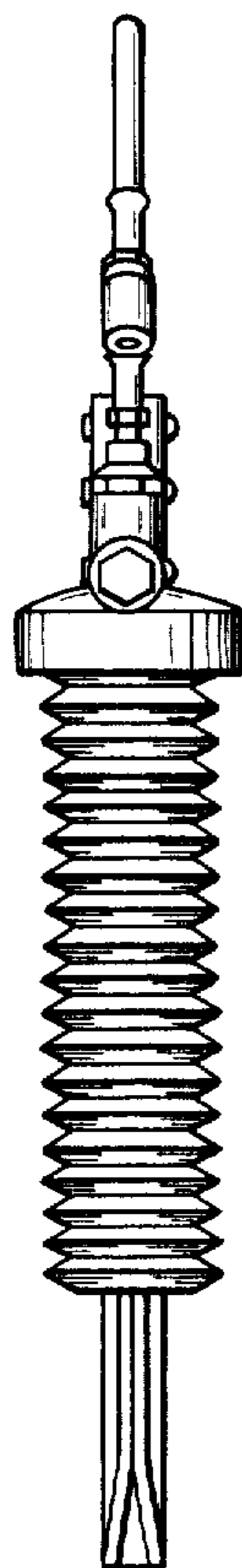


Fig. 5

