

- [54] **COMBINED VALET WALL RACK AND DRAWER UNIT**
- [76] Inventor: **David Nusz**, 2025 W. Mark, Layton, Utah 84041
- [**] Term: **14 Years**
- [21] Appl. No.: **67,837**
- [22] Filed: **Aug. 20, 1979**

Related U.S. Application Data

- [63] Continuation-in-part of Ser. No. 974,128, Dec. 26, 1978, Pat. No. 257,303.
- [51] Int. Cl. **D6-04**
- [52] U.S. Cl. **D6/123; D6/129; D6/136; D6/158; D6/233**
- [58] Field of Search **D6/114, 116, 123, 129, D6/130, 132, 133, 134, 135, 136, 158, 233; 108/152; 312/224, 245, 330 R**

- [56] **References Cited**
- U.S. PATENT DOCUMENTS**
- | | | | | |
|------------|---------|-----------|-------|--------|
| D. 35,674 | 2/1902 | Church | | D6/123 |
| D. 91,819 | 3/1934 | Guild | | D6/129 |
| D. 235,715 | 7/1975 | Breault | | D6/129 |
| D. 242,206 | 11/1976 | Ehresmann | | D6/114 |
| D. 245,557 | 8/1977 | Wiser | | D6/123 |

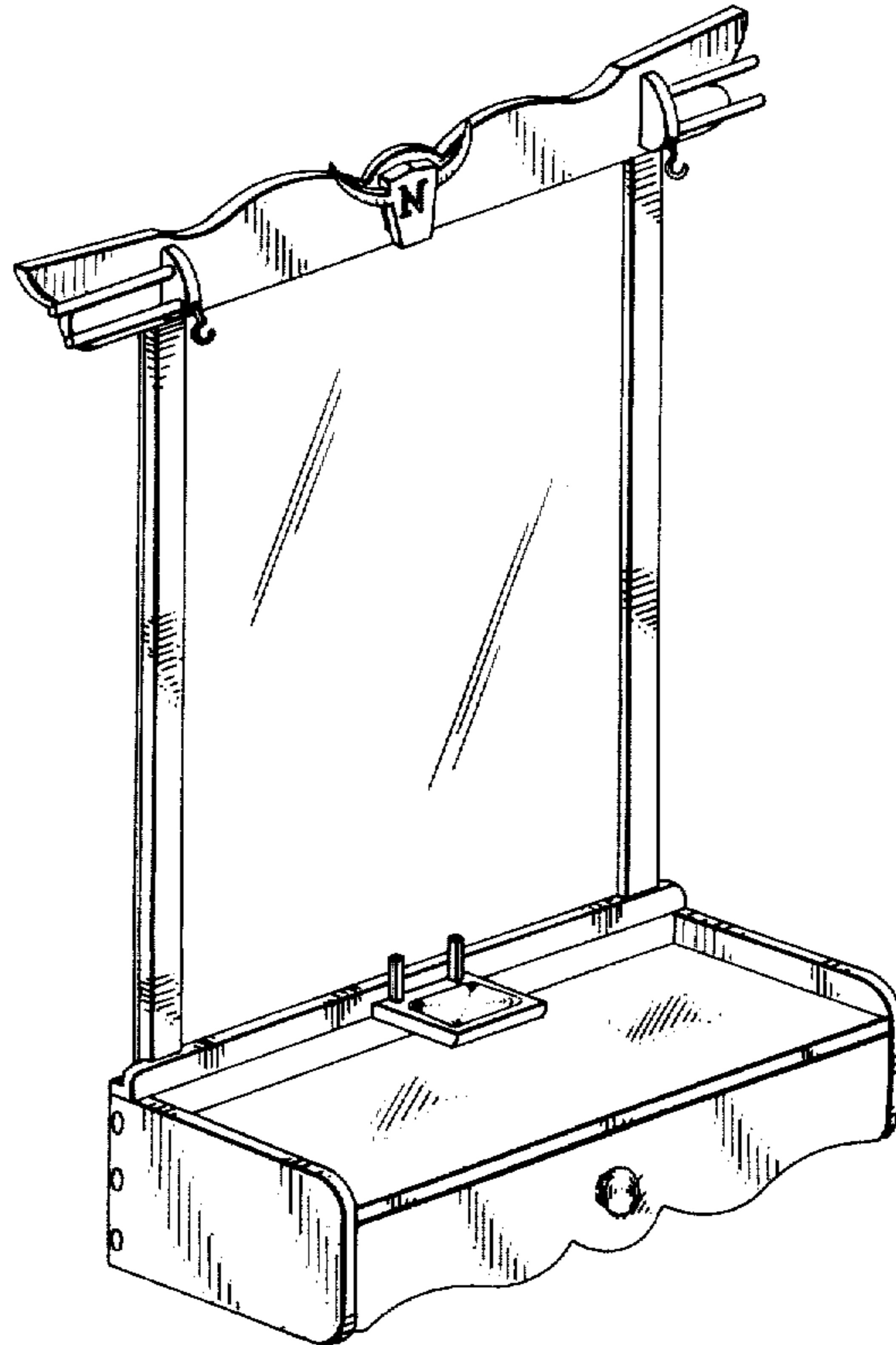
Primary Examiner—B. J. Bullock
Attorney, Agent, or Firm—Richard F. Bojanowski

[57] **CLAIM**

The ornamental design for a combined valet wall rack and drawer unit, as shown and described.

DESCRIPTION

FIG. 1 is a front perspective view of a combined valet wall rack and drawer unit showing my new design; the rear being flat and unornamented; FIG. 2 is a side elevational view taken from the left of FIG. 1; the side opposite being a mirror image thereof; FIG. 3 is a fragmentary bottom perspective view thereof.



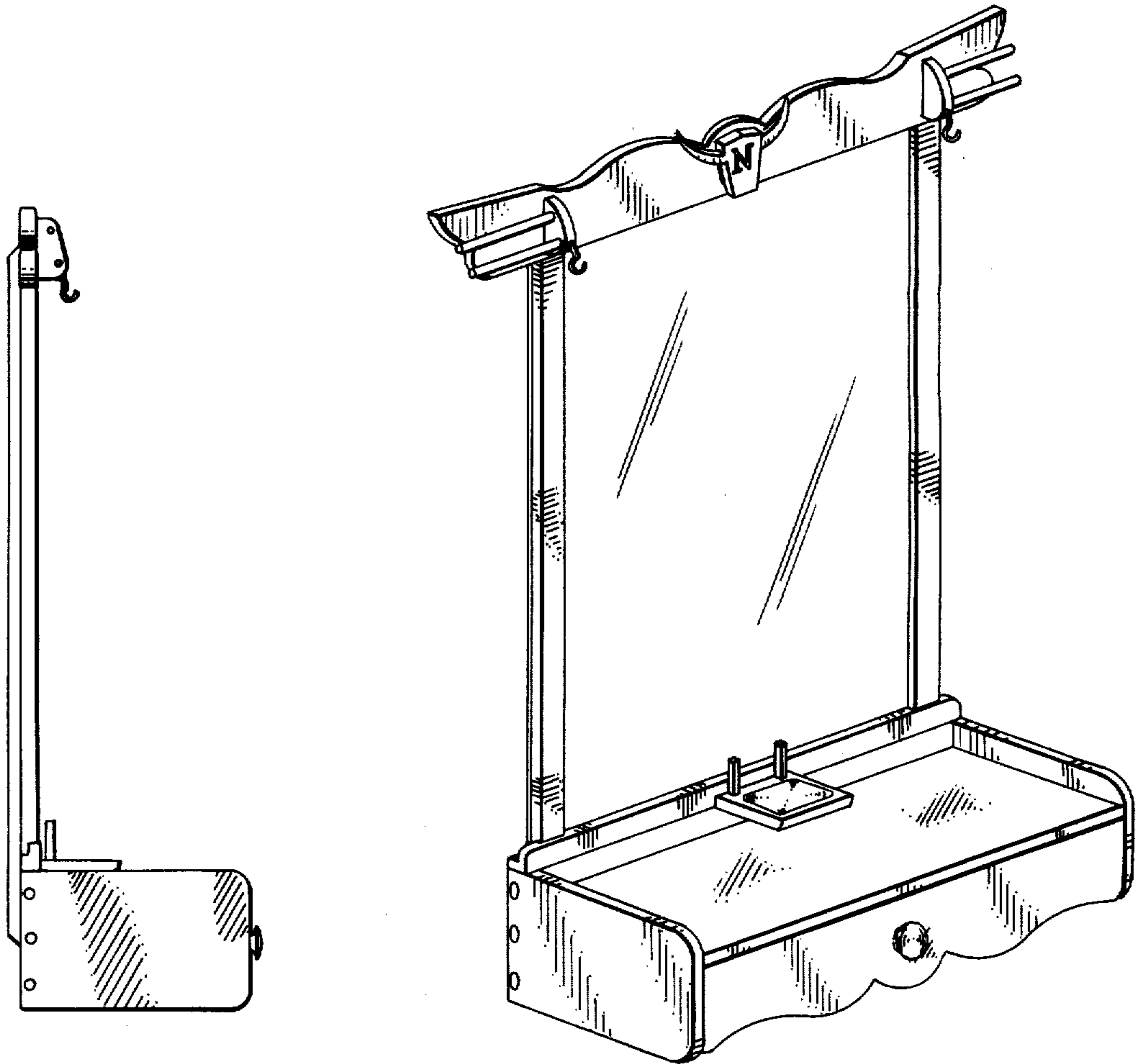


Fig. 2

Fig. 1

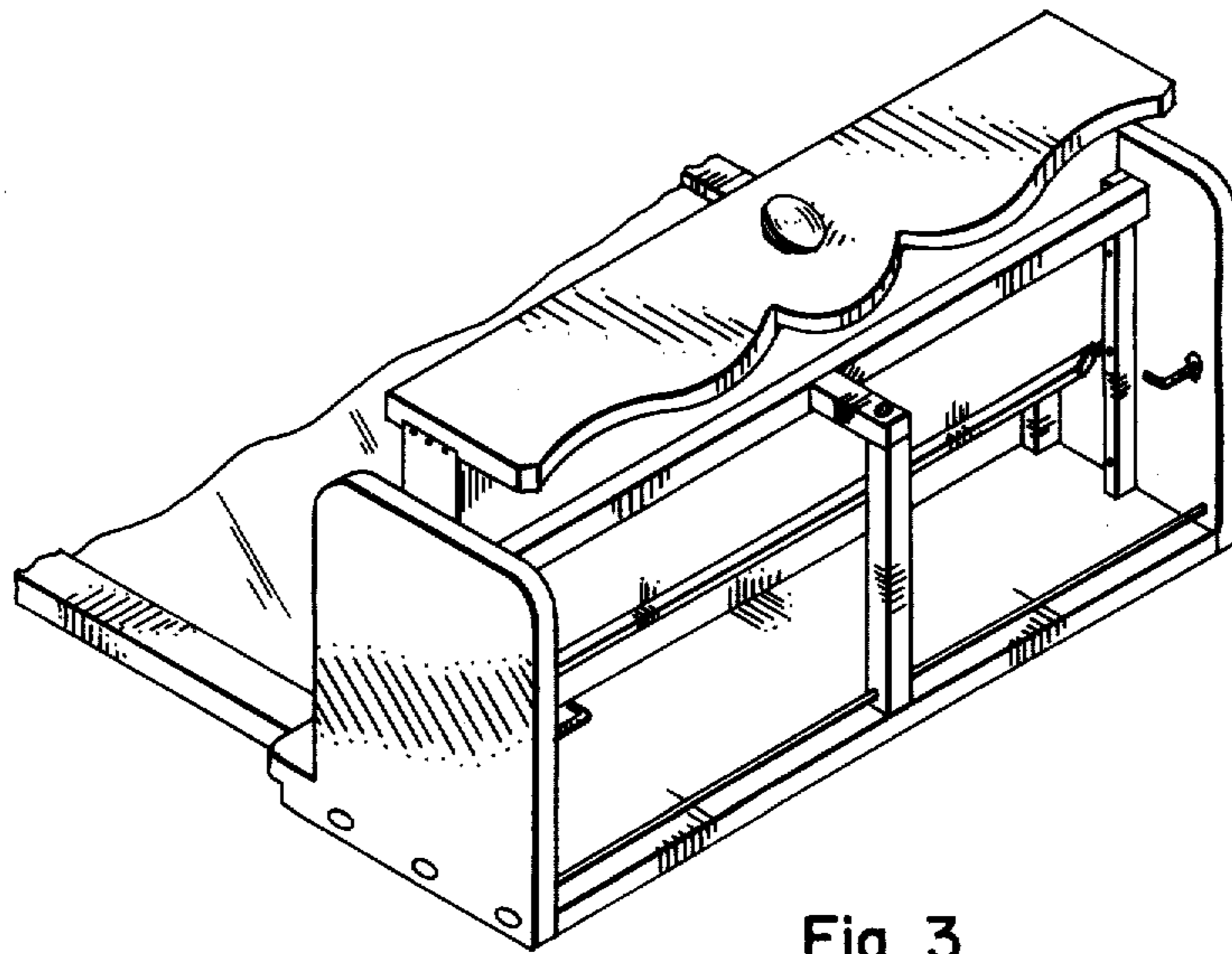


Fig. 3