

[54] CHAIR

[75] Inventor: Don C. Albinson, Coopersburg, Pa.

[73] Assignee: Westinghouse Electric Corp., Pittsburgh, Pa.

[**] Term: 14 Years

[21] Appl. No.: 909,748

[22] Filed: May 26, 1978

[51] Int. Cl. D6-01

[52] U.S. Cl. D6/69; D6/73

[58] Field of Search D6/67-73

[56] References Cited

U.S. PATENT DOCUMENTS

D. 248,904 8/1978 Julian D6/73 X

OTHER PUBLICATIONS

Design Cat., 9-1976, p. 60, Chair bottom center by Aarnio.

Design Cat., 2-1973, p. 34, Chair bottom right by Herman Miller.

Interiors, 8-1973, p. 55, Chair by Davis Furn. Co.

Primary Examiner—Bruce W. Dunkins
Attorney, Agent, or Firm—B. R. Studebaker

[57] CLAIM

The ornamental design for a chair, substantially as shown and described.

DESCRIPTION

FIG. 1 is a perspective view of a chair illustrating my new design;

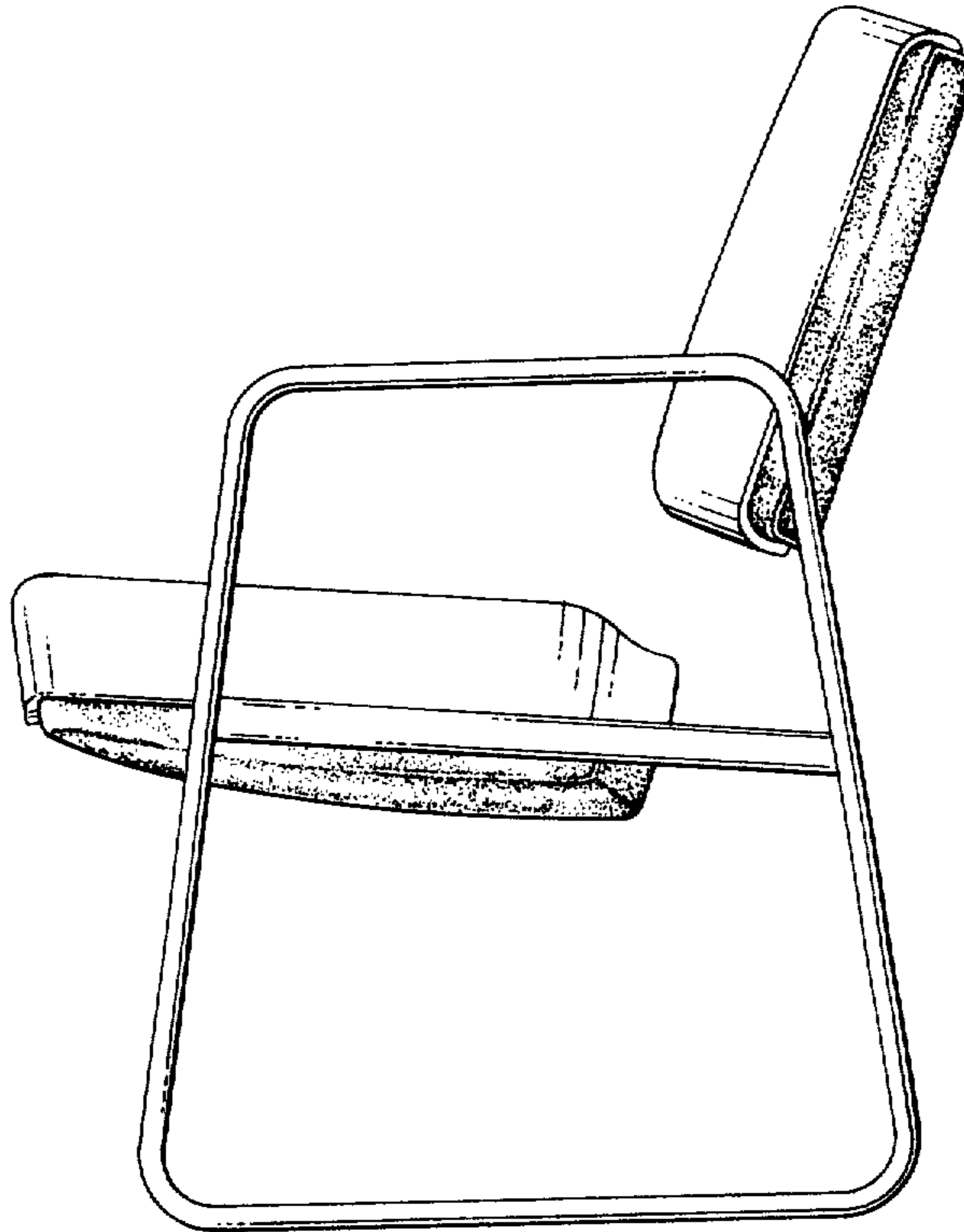
FIG. 2 is a top plan view thereof;

FIG. 3 is a front elevational view thereof;

FIG. 4 is a side elevational view thereof; and

FIG. 5 is a rear elevational view thereof.

The design is characterized, as best illustrated in FIG. 4, by trapezoidal side supports each including a base member, front and rear inwardly and upwardly directed side members and a top member parallel with and shorter than the base member. The front and rear side members are interconnected by sloped cross bars which slope slightly downwardly from front to rear. The seat member is mounted to and supported by the sloped cross bars and extends substantially beyond the front side members while the back rest is mounted to the rearward side members at an angle so that it lies in a plane which intersects with the rear portion of the seat member.



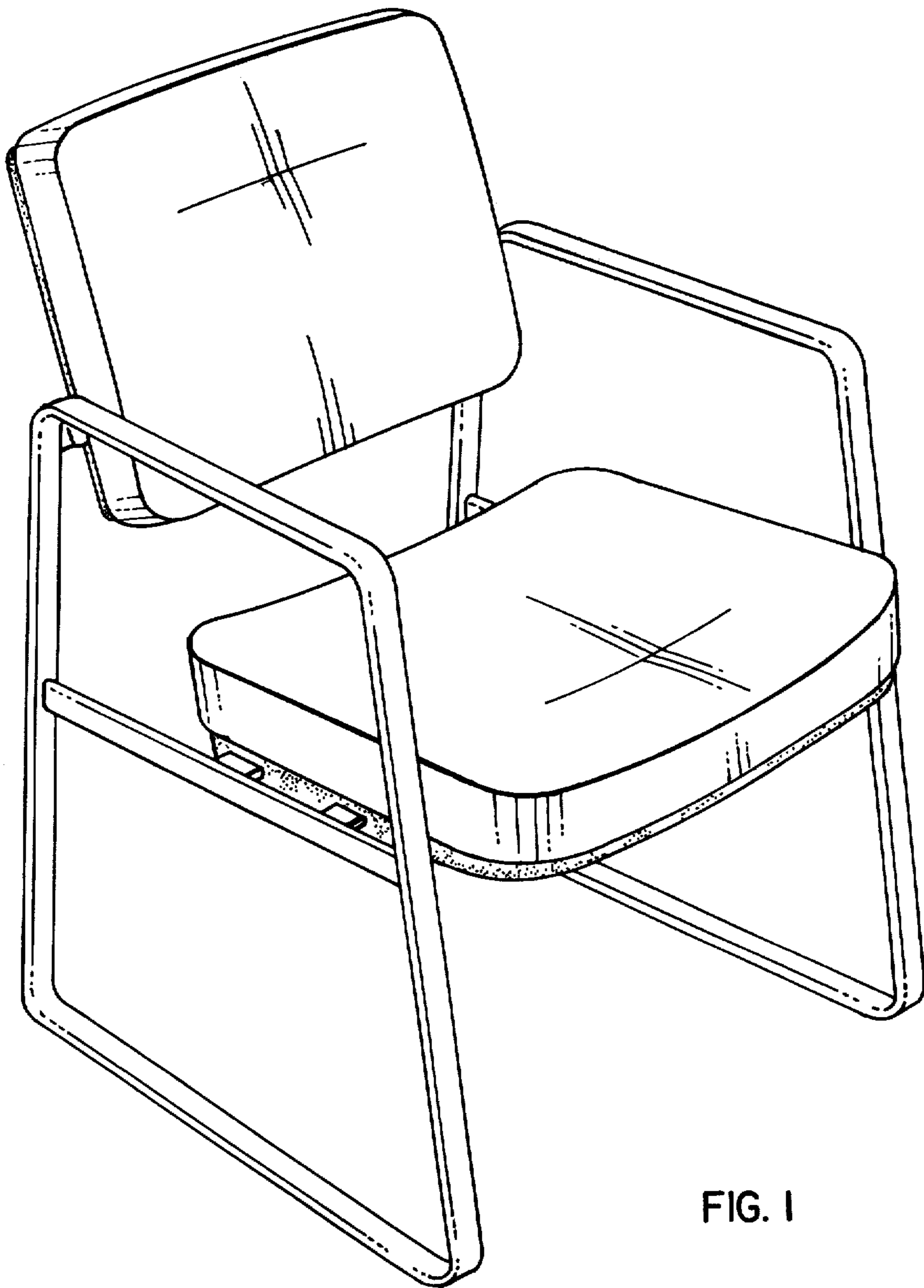


FIG. 1

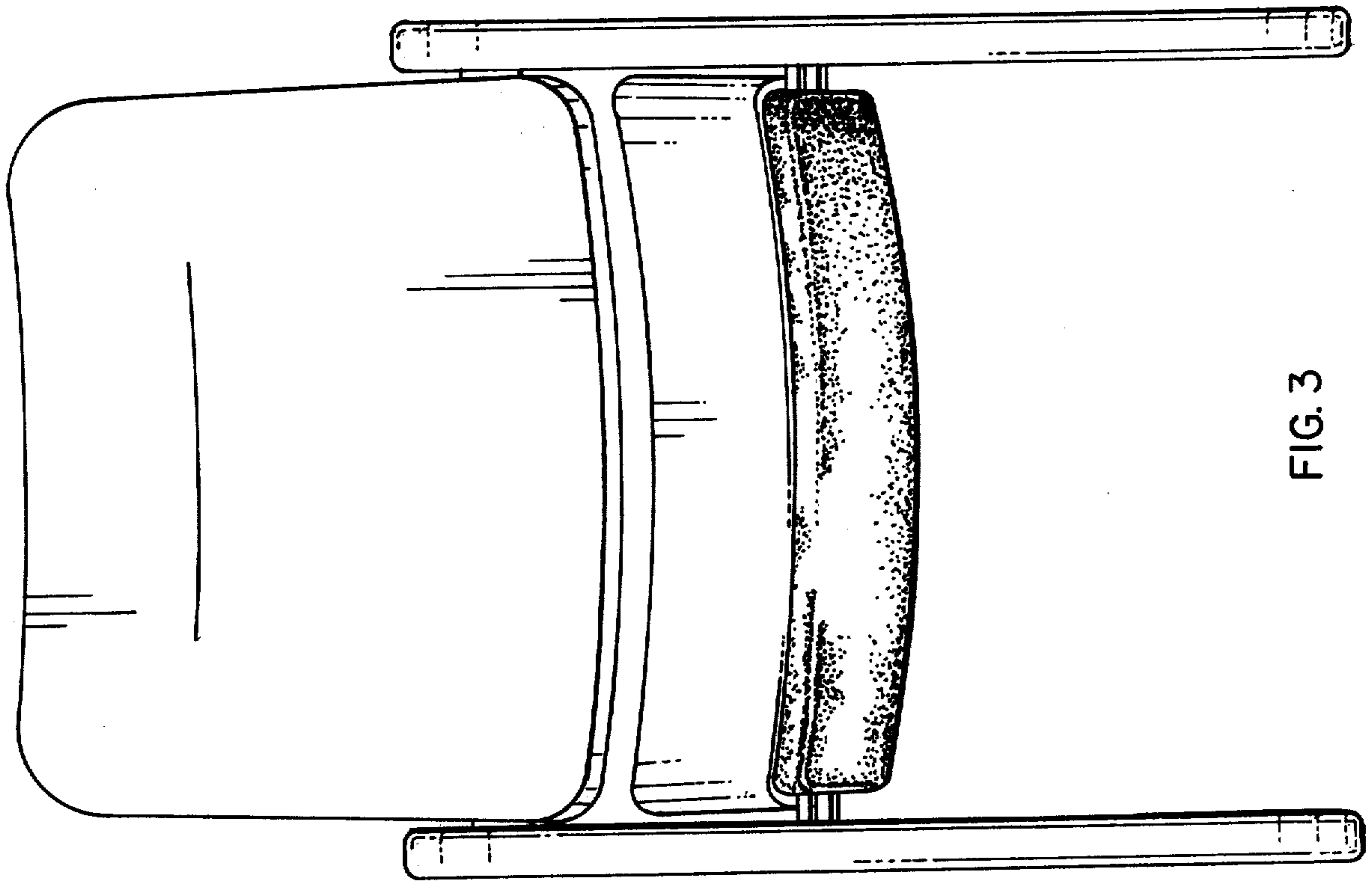


FIG. 3

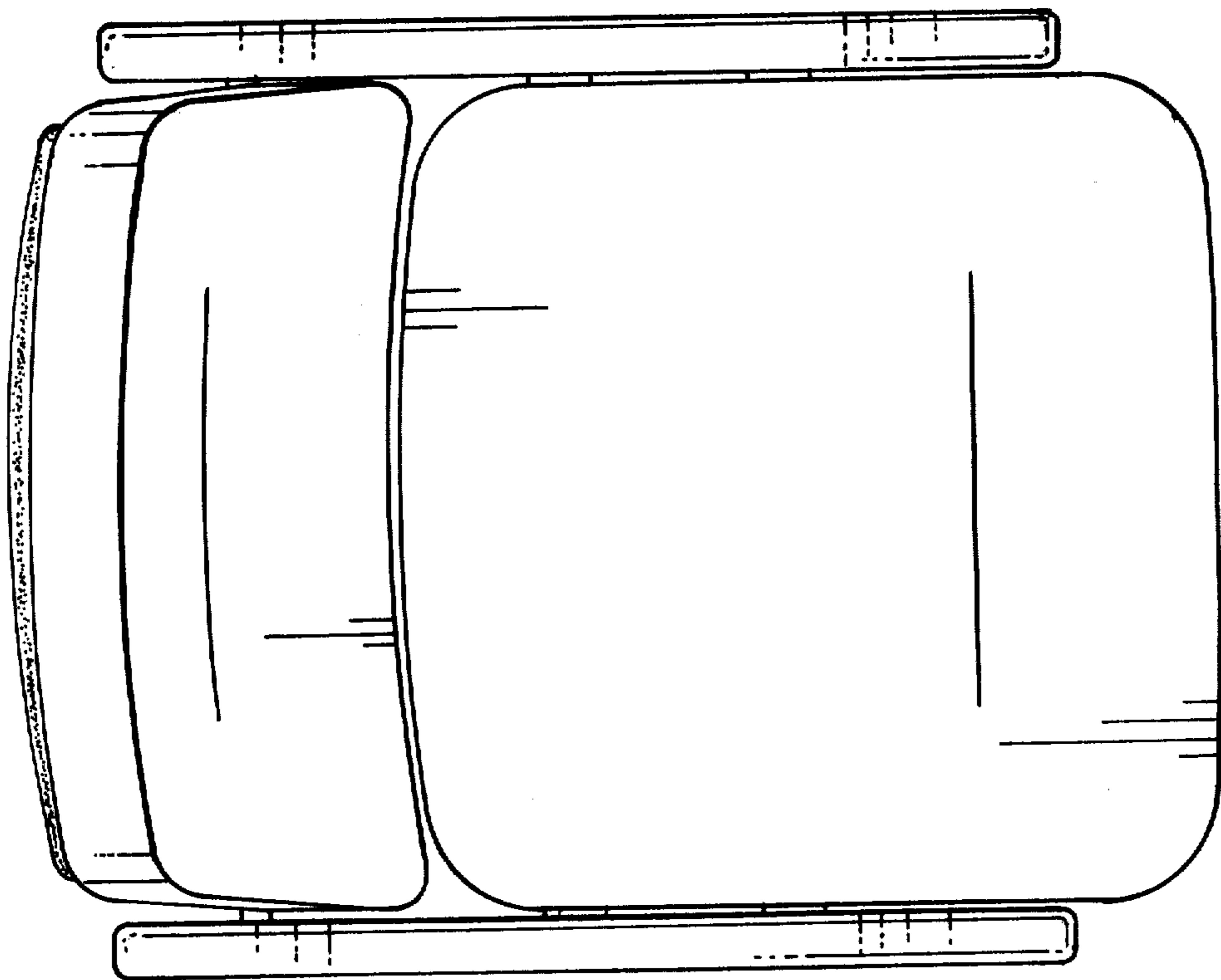


FIG. 2

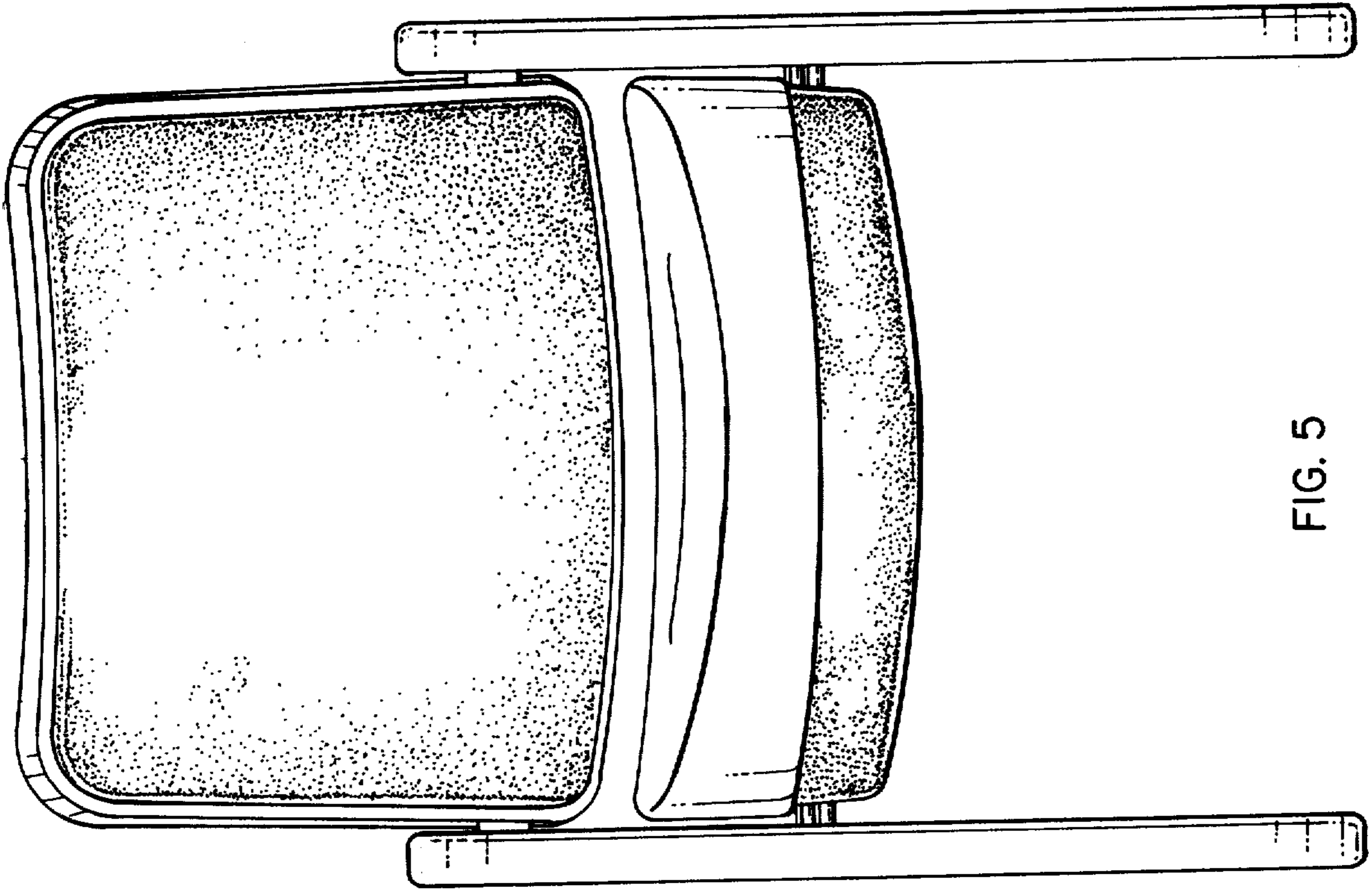


FIG. 5

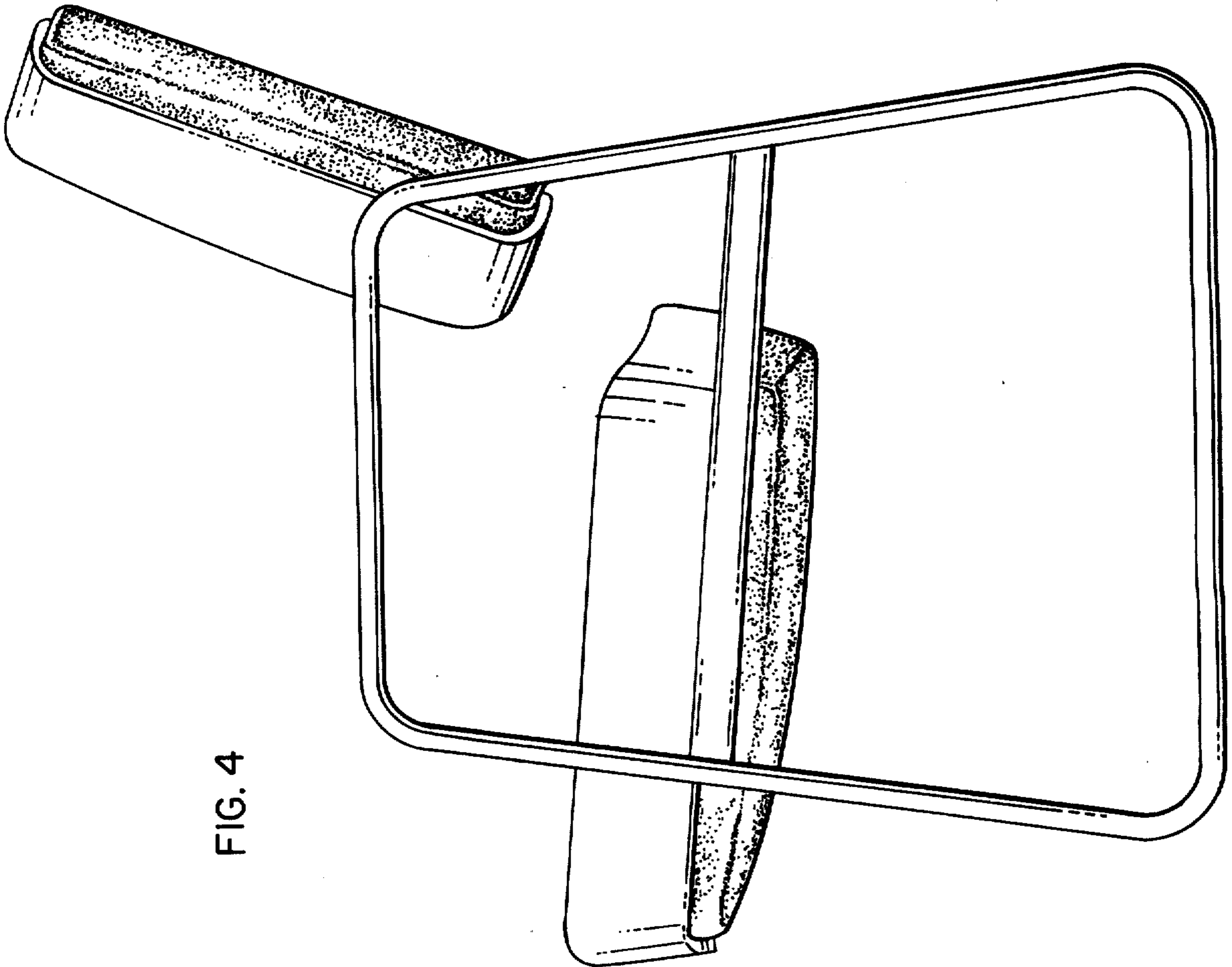


FIG. 4