

[54] CHAIR FOR INVALIDS

[76] Inventor: William R. Brewer, 9100 Bartee Ave., Arleta, Calif. 91331

[**] Term: 14 Years

[21] Appl. No.: 21,627

[22] Filed: Mar. 19, 1979

[51] Int. Cl. D6-01

[52] U.S. Cl. D6/64; D6/78; D23/48; D23/71

[58] Field of Search D23/48, 53, 69-71; D6/9, 10, 38, 64, 78; 4/483, 531, 532, 571, 572, 578, 579, 589, 590, 654, 659, 254

[56] References Cited

U.S. PATENT DOCUMENTS

D. 234,202	1/1975	Aldred	D23/71
D. 234,769	4/1975	Thomas	D23/48
D. 236,345	8/1975	Thomas	D23/48
2,607,926	8/1952	De Puy	4/254
3,047,884	8/1962	Grondona	4/254

3,512,187	5/1970	Thomas et al.	4/254
3,795,923	3/1974	Thomas	4/483
3,829,908	8/1974	Thomas	4/483
3,854,773	12/1974	Thomas	4/254

Primary Examiner—James R. Largent
Attorney, Agent, or Firm—Charlton M. Lewis

[57] CLAIM

The ornamental design for a chair for invalids, as shown and described.

DESCRIPTION

FIG. 1 is a perspective view taken from the top, front and right side of a chair for invalids showing my new design;

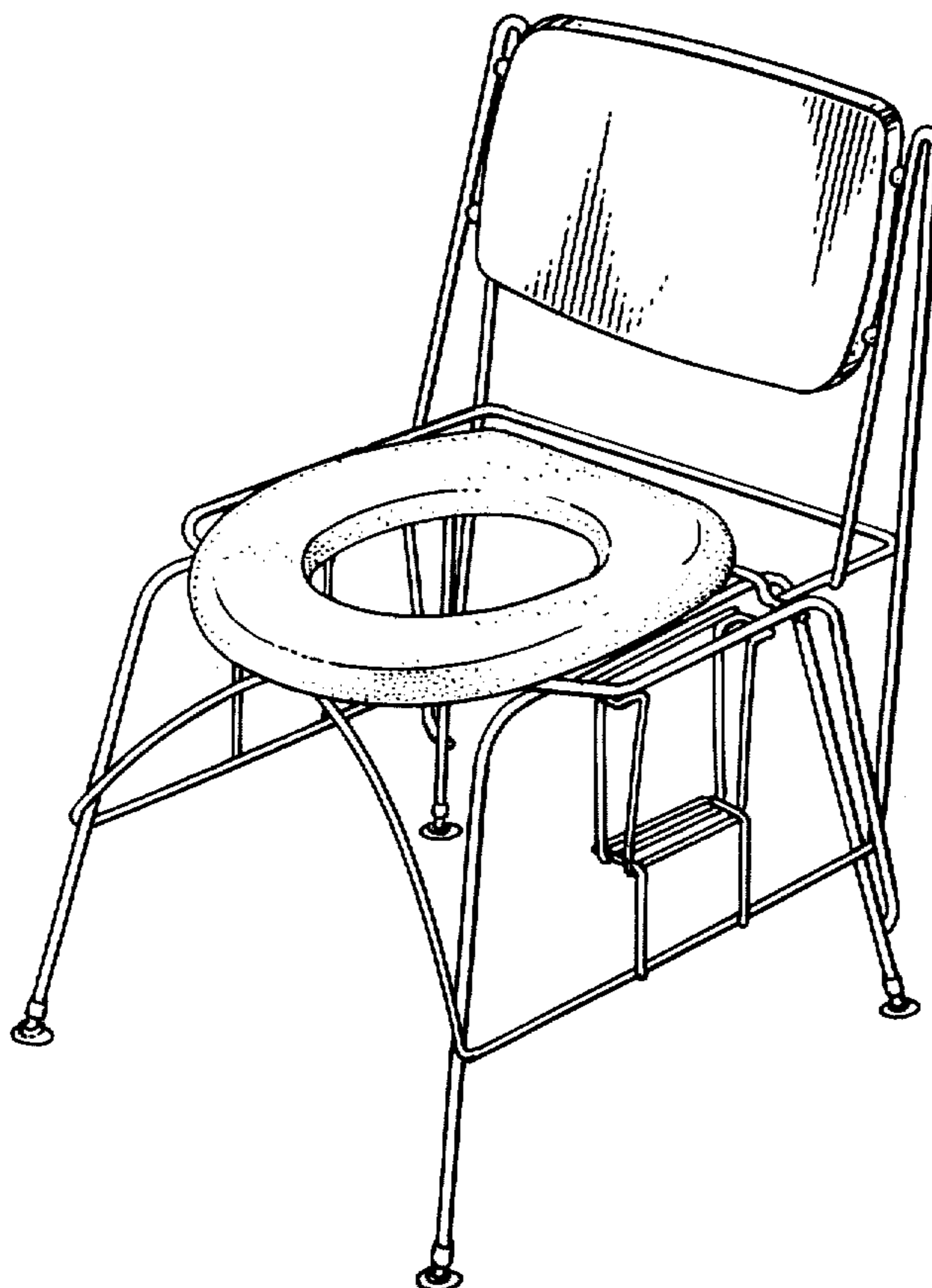
FIG. 2 is a left side elevational view thereof;

FIG. 3 is a perspective view taken from the top rear and right side thereof;

FIG. 4 is a perspective view taken from the top, front and right side of a modified form of the chair for invalids shown in FIG. 1;

FIG. 5 is a left side elevational view of FIG. 4; and

FIG. 6 is a perspective view taken from the top rear and right side of FIG. 4.



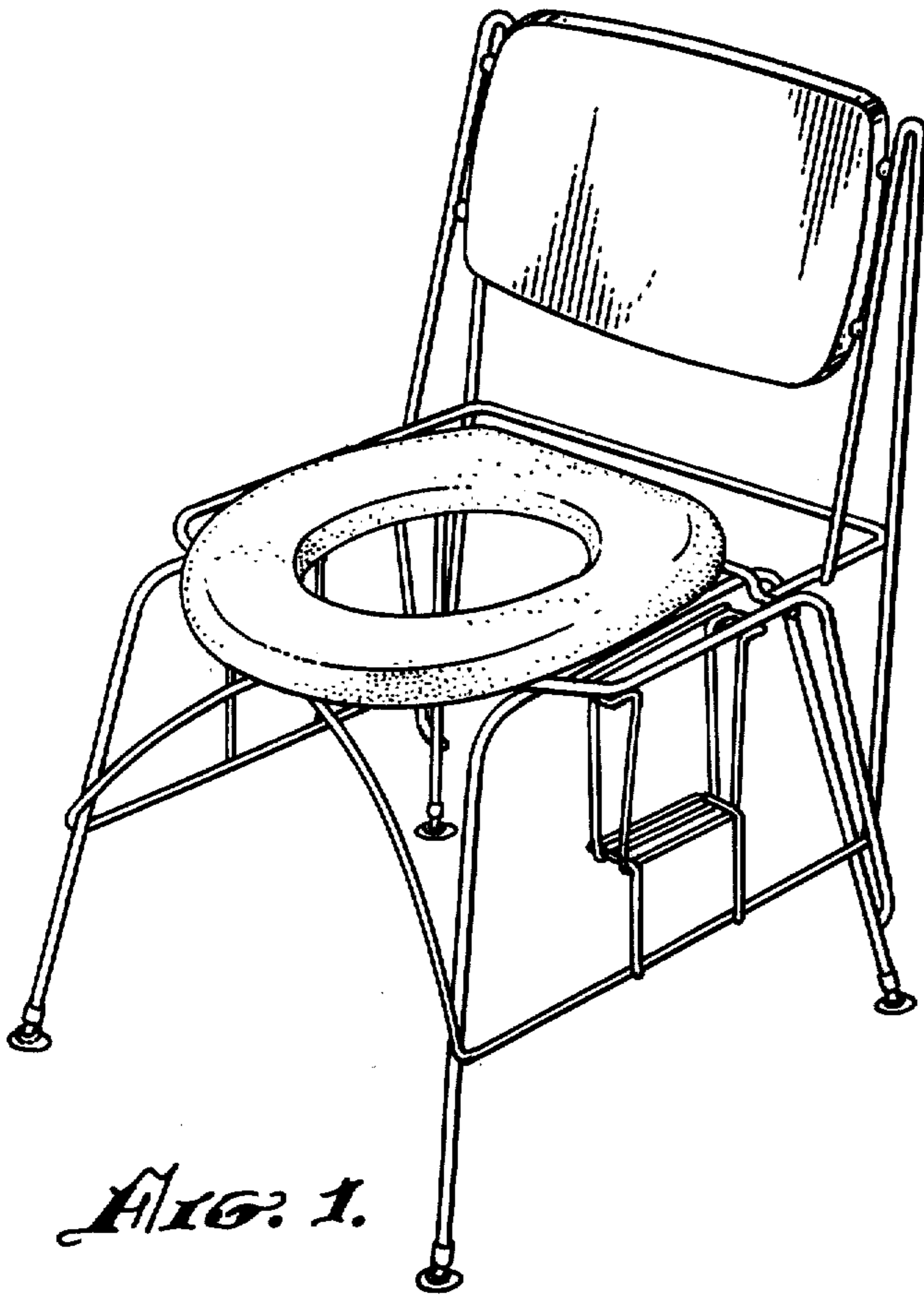


FIG. 1.

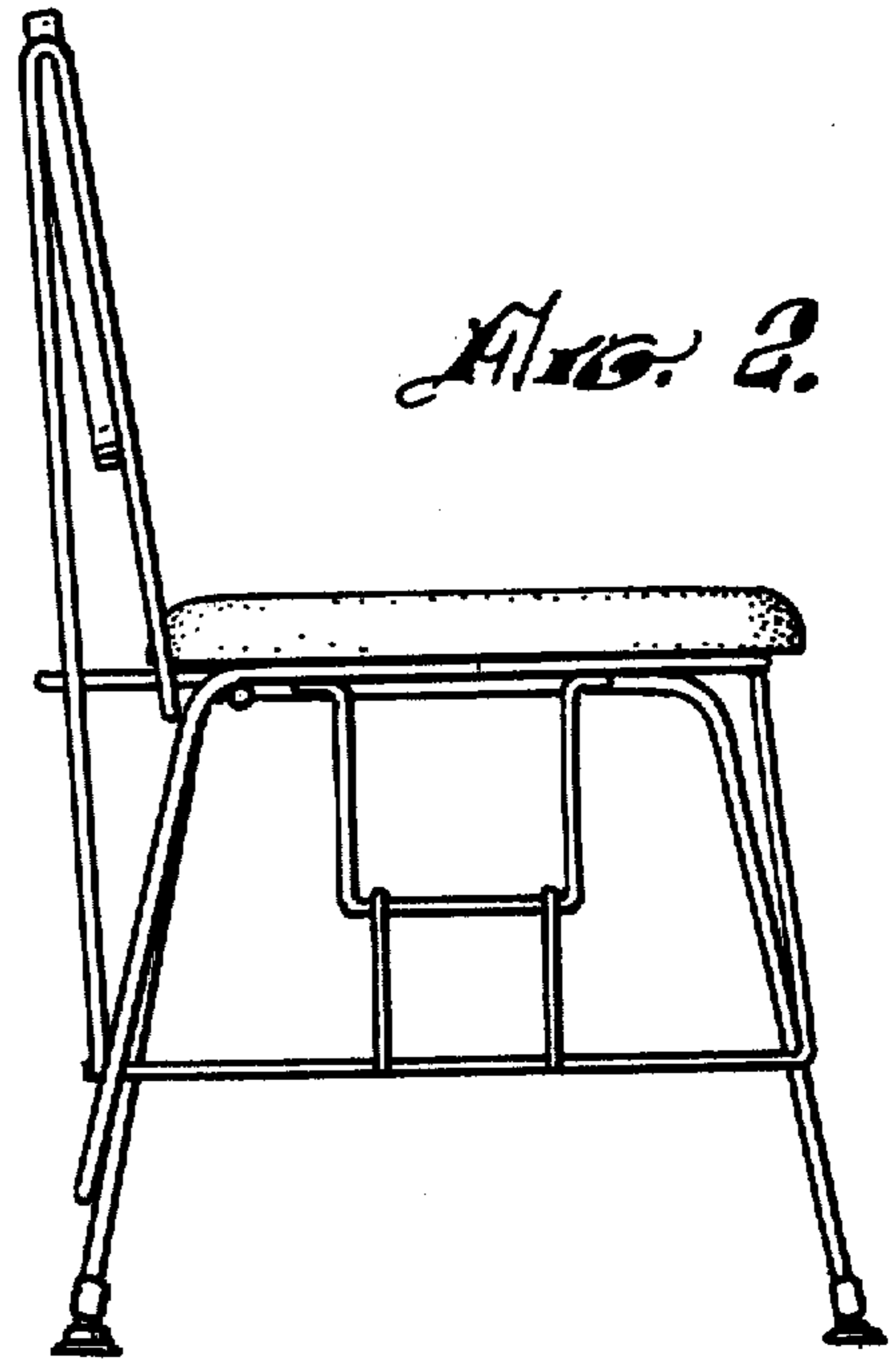


FIG. 2.

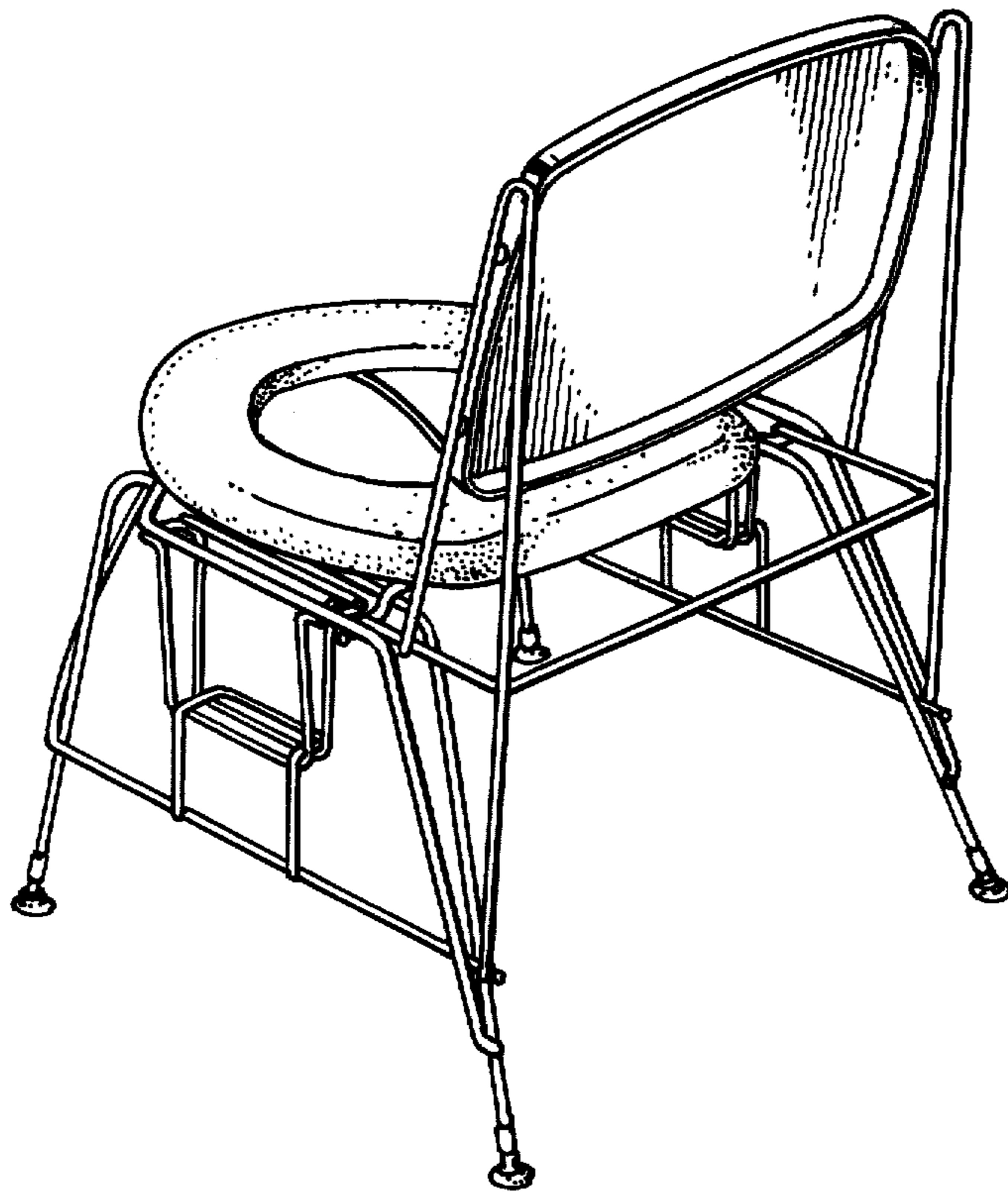


FIG. 3.

FIG. 4.

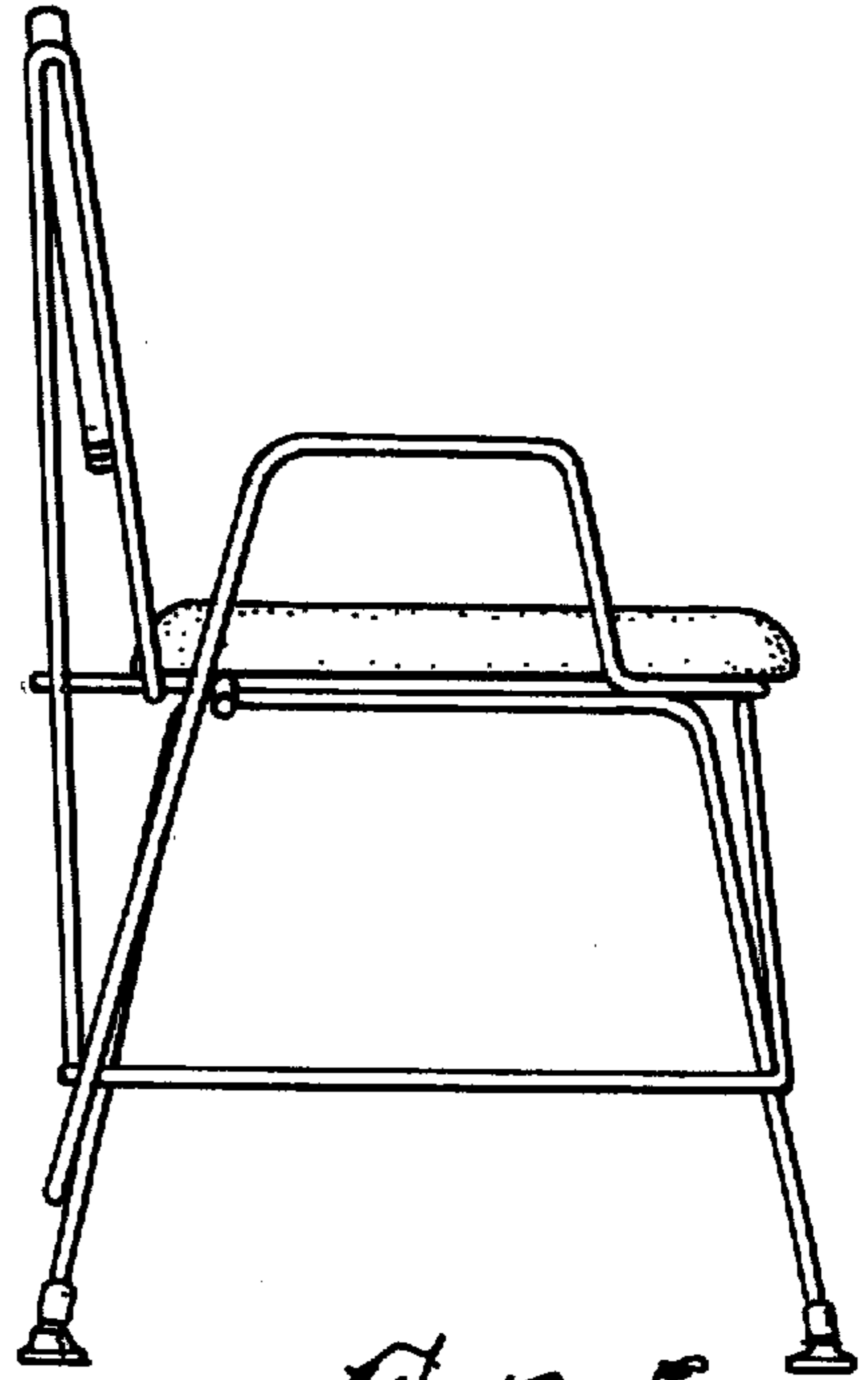
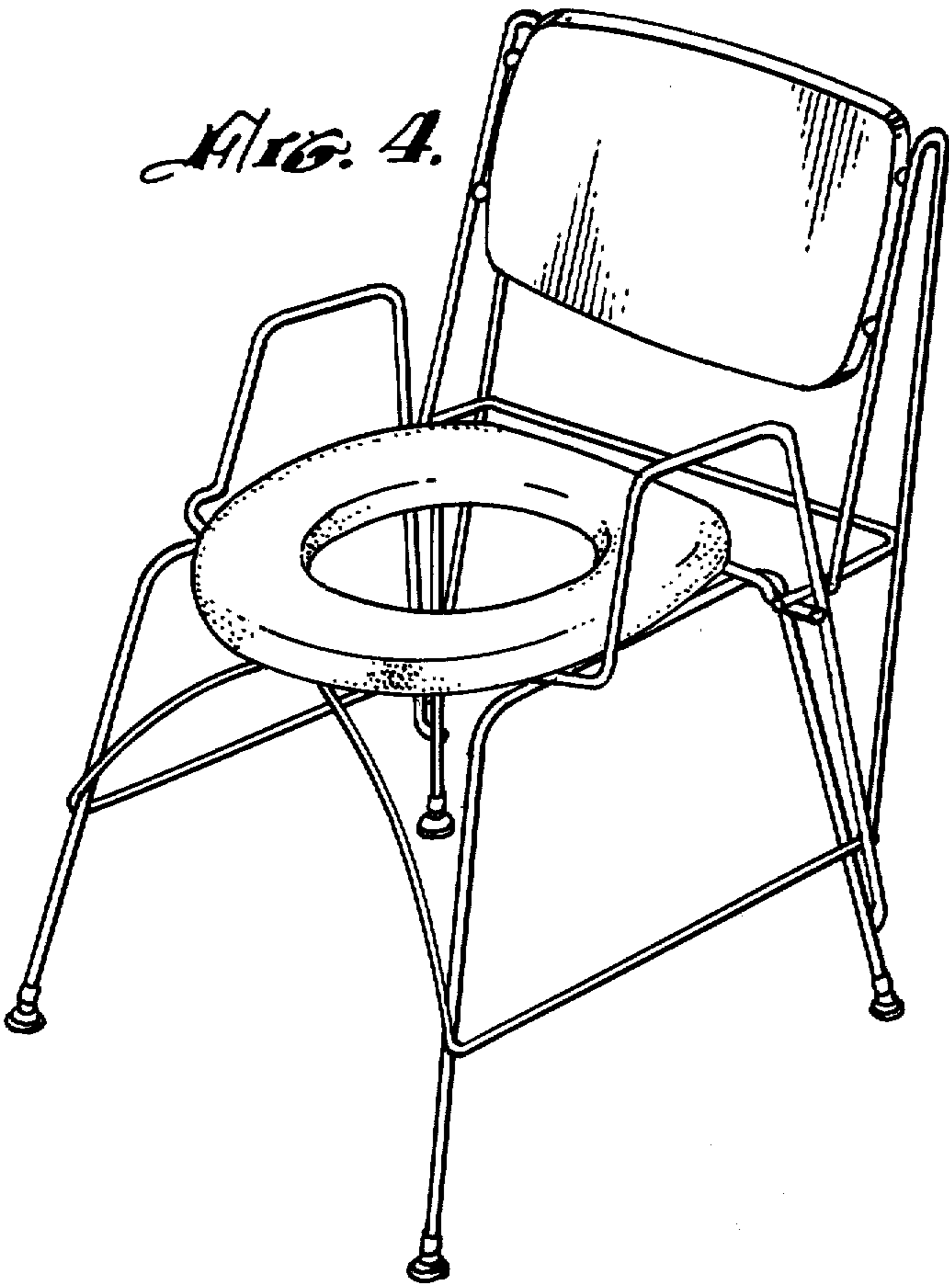


FIG. 5.

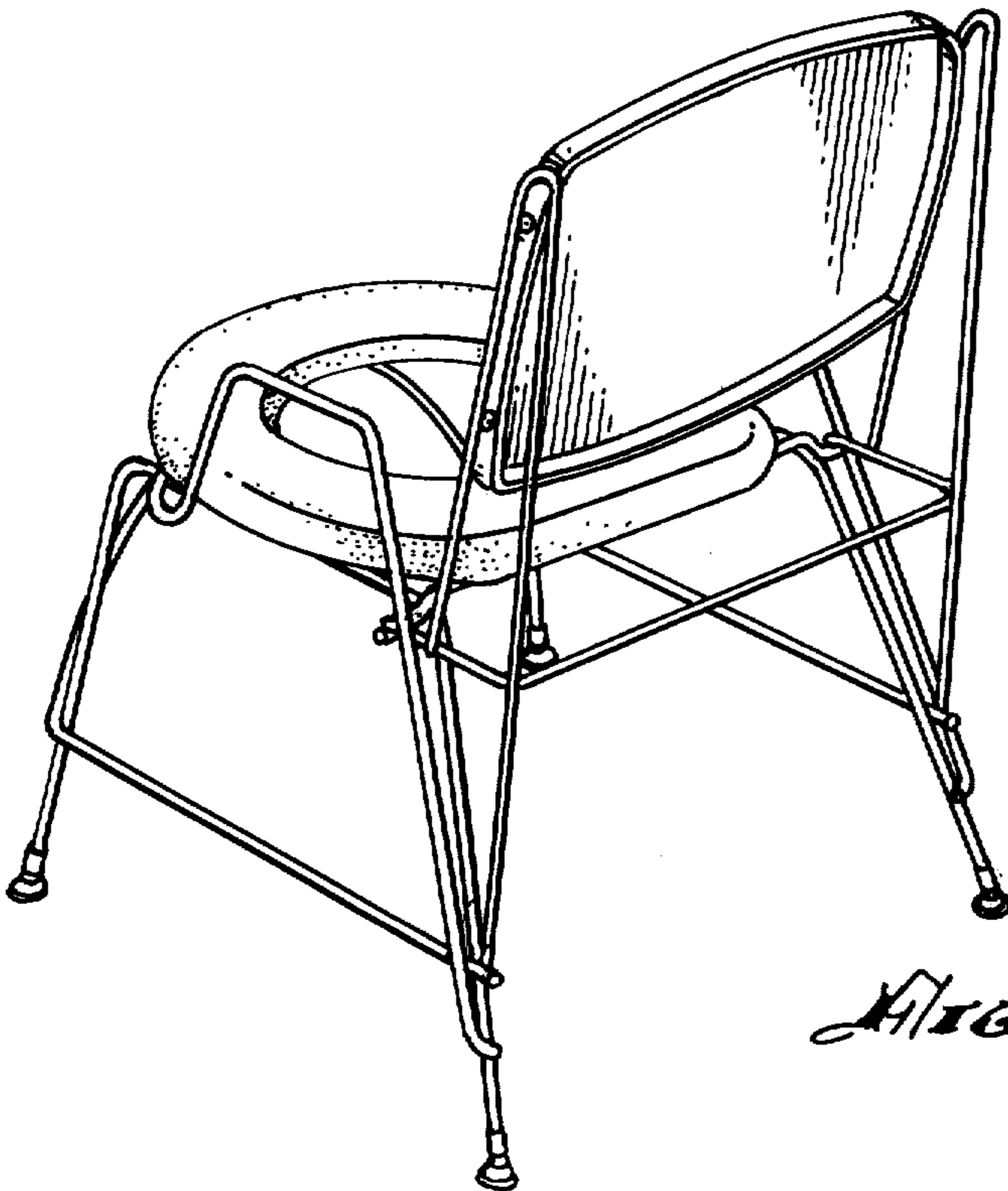


FIG. 6.