

[54] COMBINED COLLAPSIBLE BEACH REST AND CARRYING CASE

[76] Inventor: William V. Porter, P.O. Box 397, New Braunfels, Tex. 78130

[**] Term: 14 Years

[21] Appl. No.: 76,155

[22] Filed: Sep. 17, 1979

[51] Int. Cl. D3-02

[52] U.S. Cl. D3/43; D3/76

[58] Field of Search D3/30, 43, 35, 36, 71, D3/76, 77; 190/2; 5/434, 437, 440

[56] References Cited

U.S. PATENT DOCUMENTS

D. 220,021	2/1971	Bruening	D3/76
2,373,106	4/1945	Doux	190/2
4,164,275	8/1979	Davis	190/2

4,190,918 3/1980 Harvel 190/2

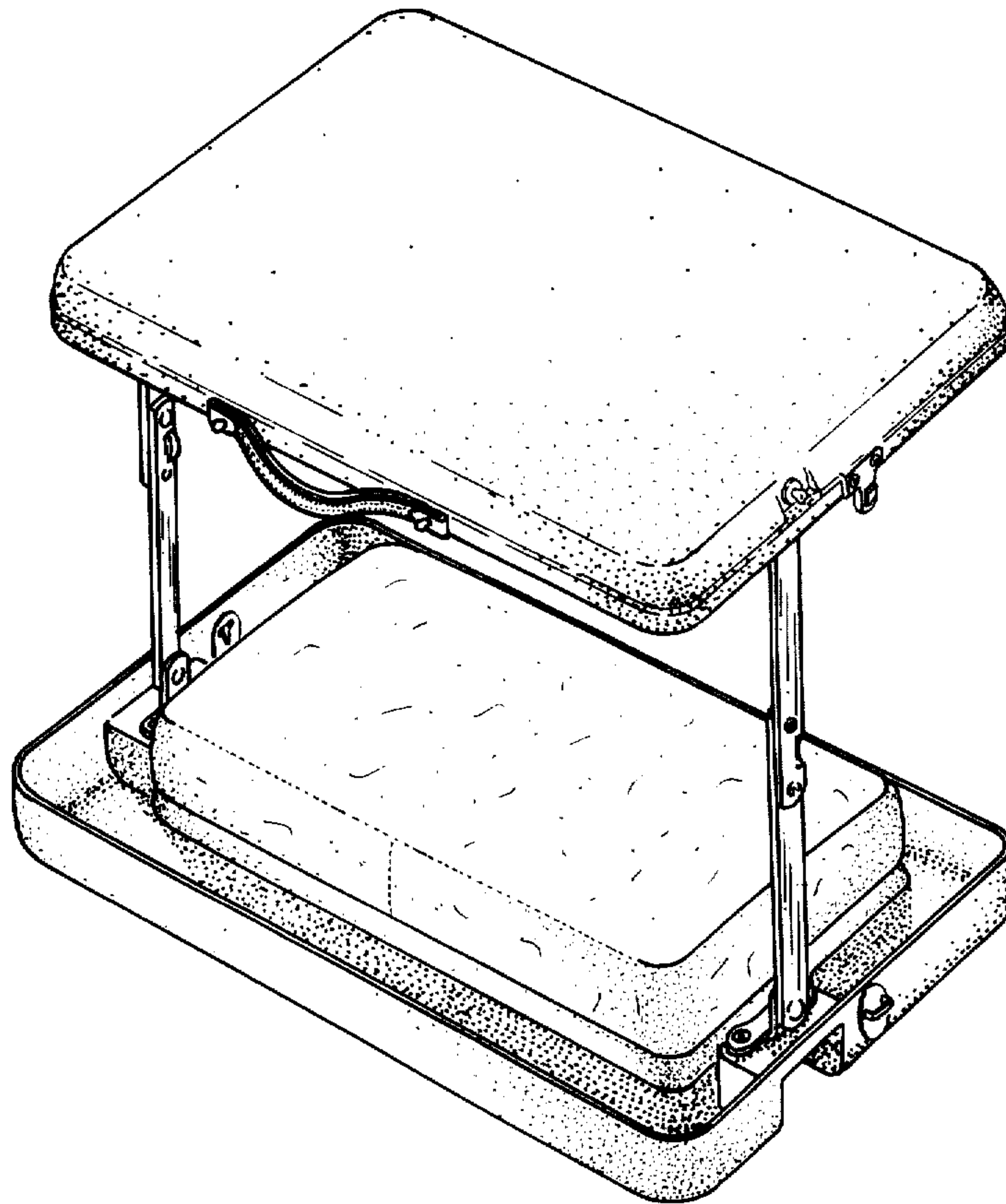
Primary Examiner—George P. Word
Attorney, Agent, or Firm—John R. Powell

[57] CLAIM

The ornamental design for a combined collapsible beach rest and carrying case, as shown and described.

DESCRIPTION

FIG. 1 is a top plan view of a combined collapsible beach rest and carrying case showing my new design; FIG. 2 is a front elevational view thereof in the open position; FIG. 3 is a right side elevational view thereof; FIG. 4 is a bottom plan view thereof; FIG. 5 is a rear elevational view thereof; FIG. 6 is a left side elevational view thereof; FIG. 7 is a perspective view thereof; and FIG. 8 is a reduced scale perspective view thereof in the closed position.



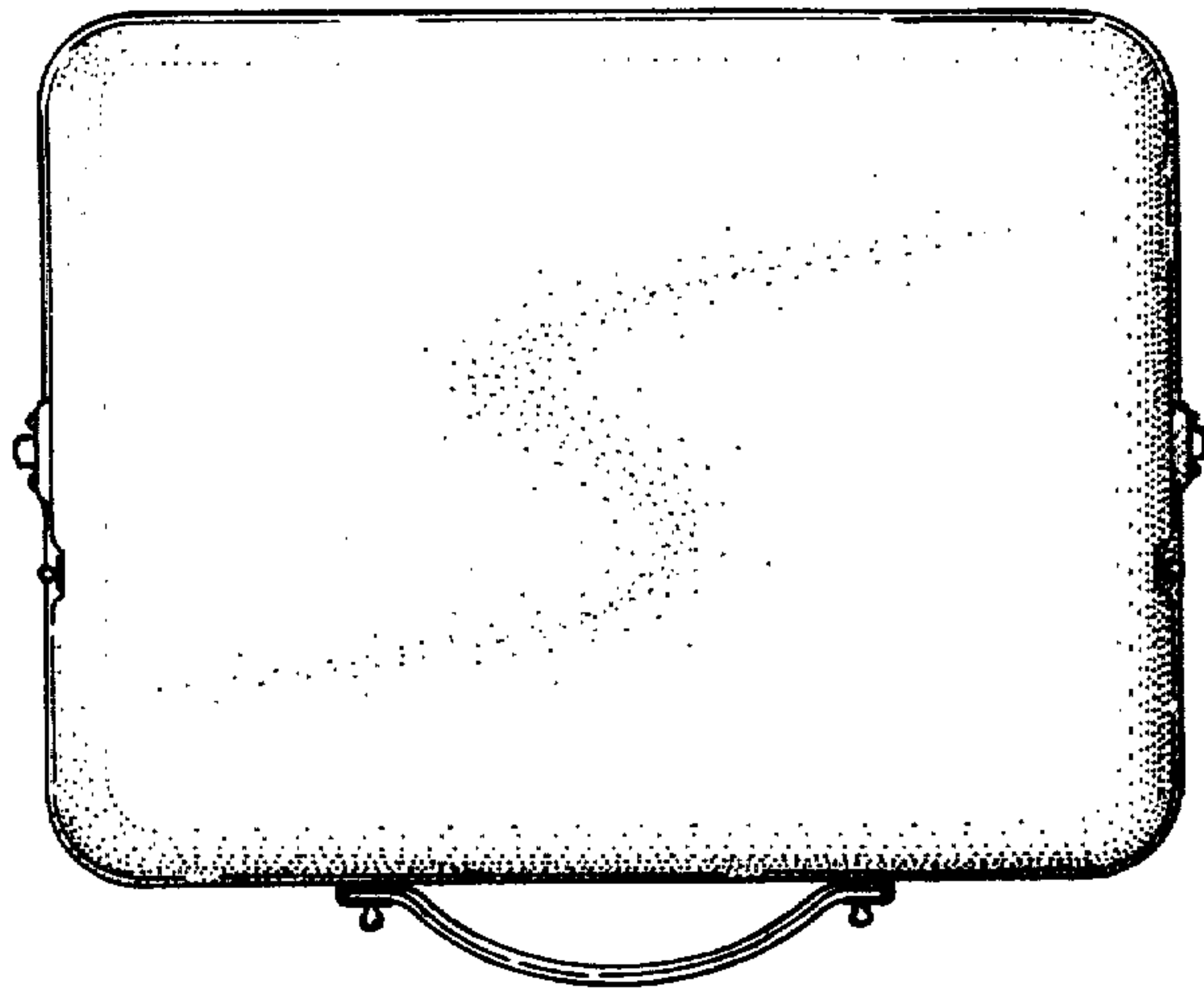


FIG. 1

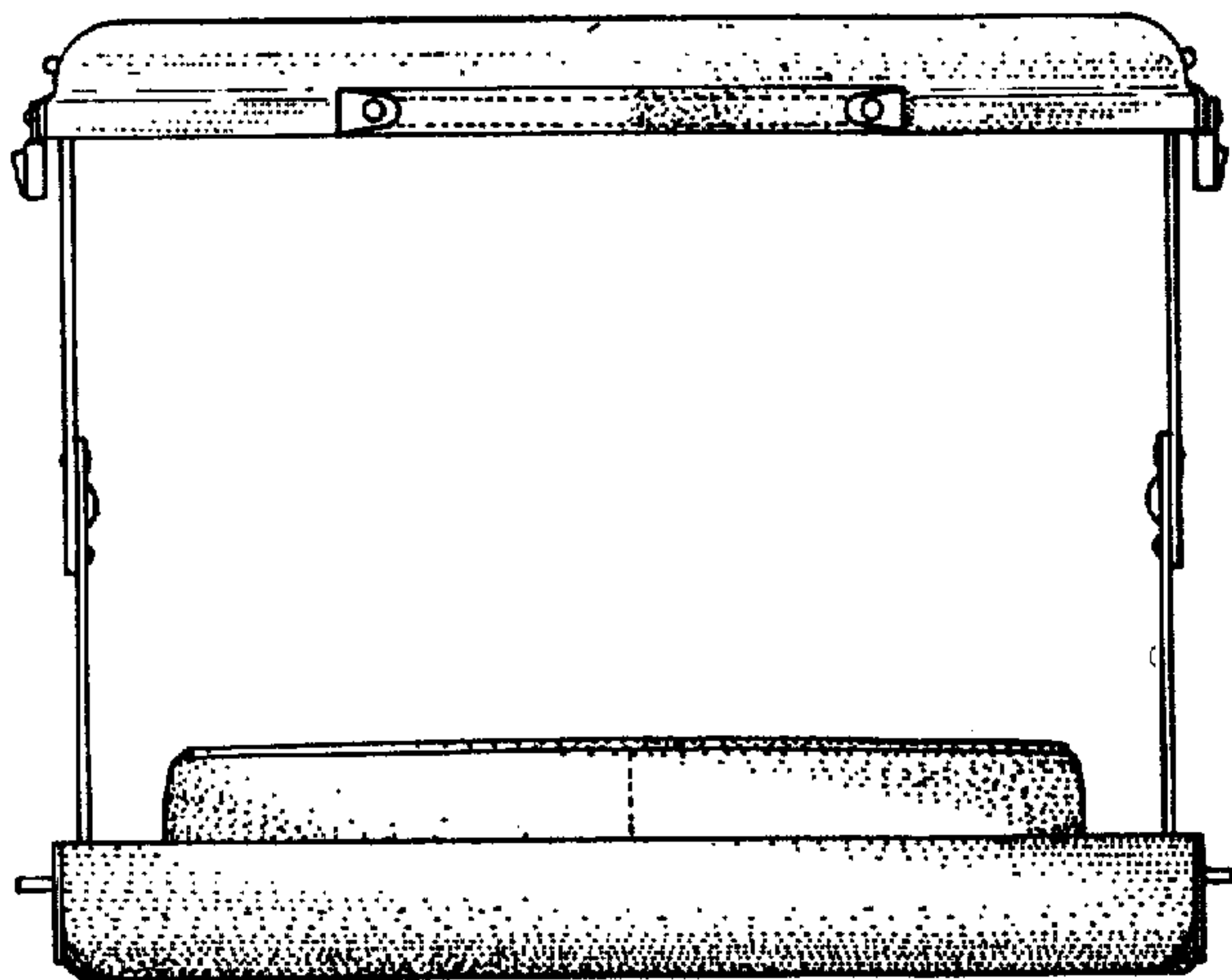


FIG. 2

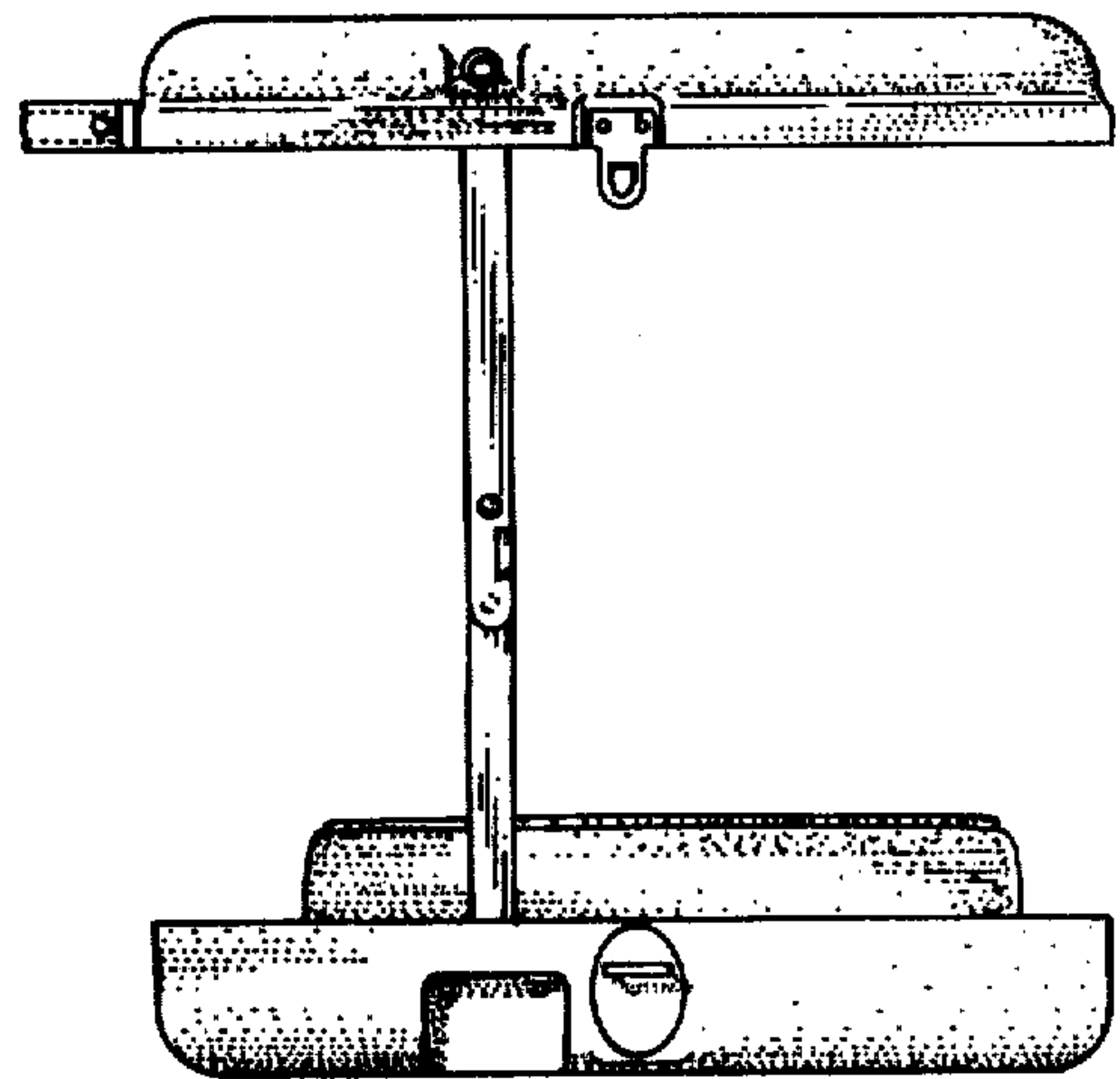


FIG. 3

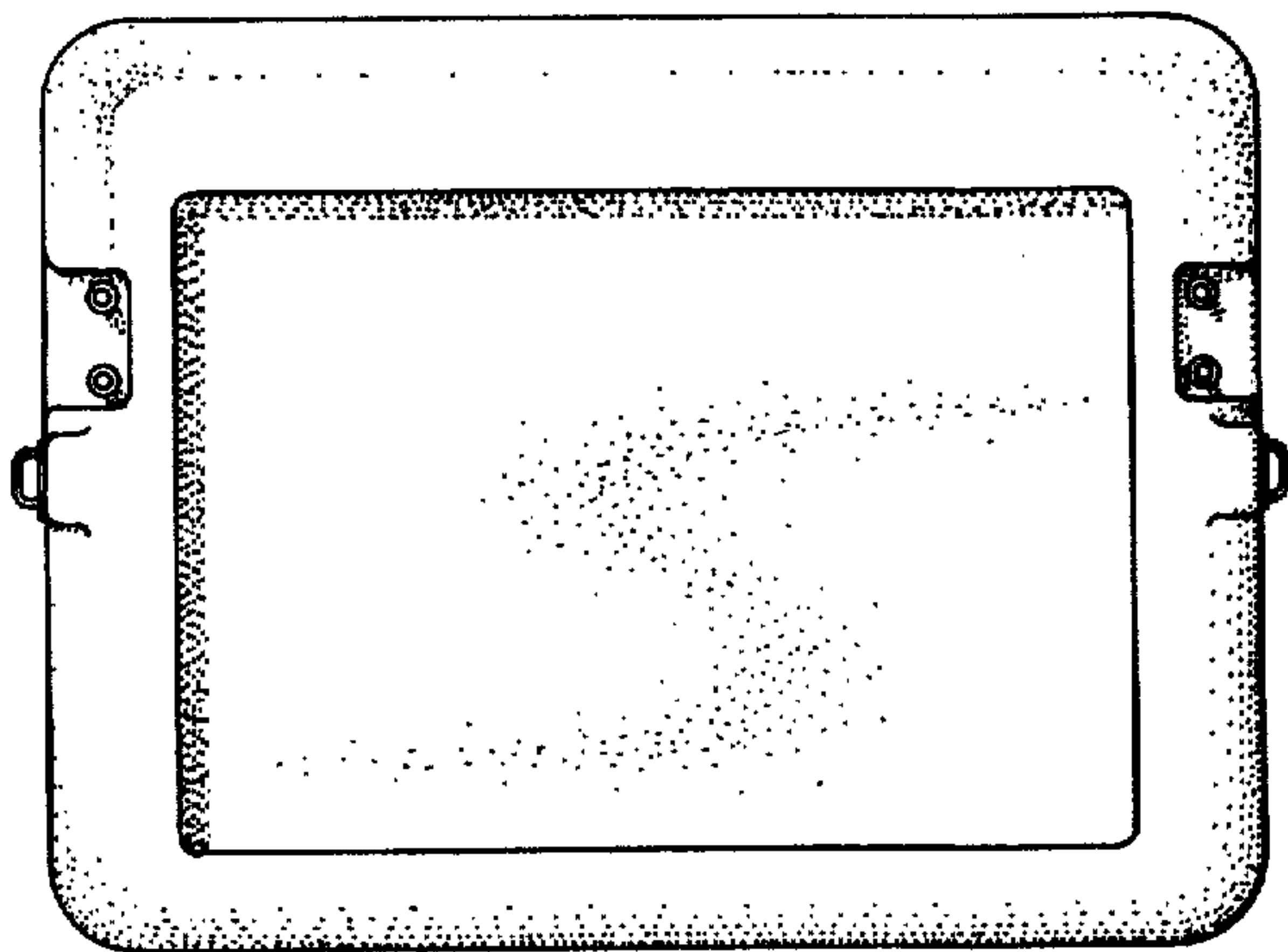


FIG. 4

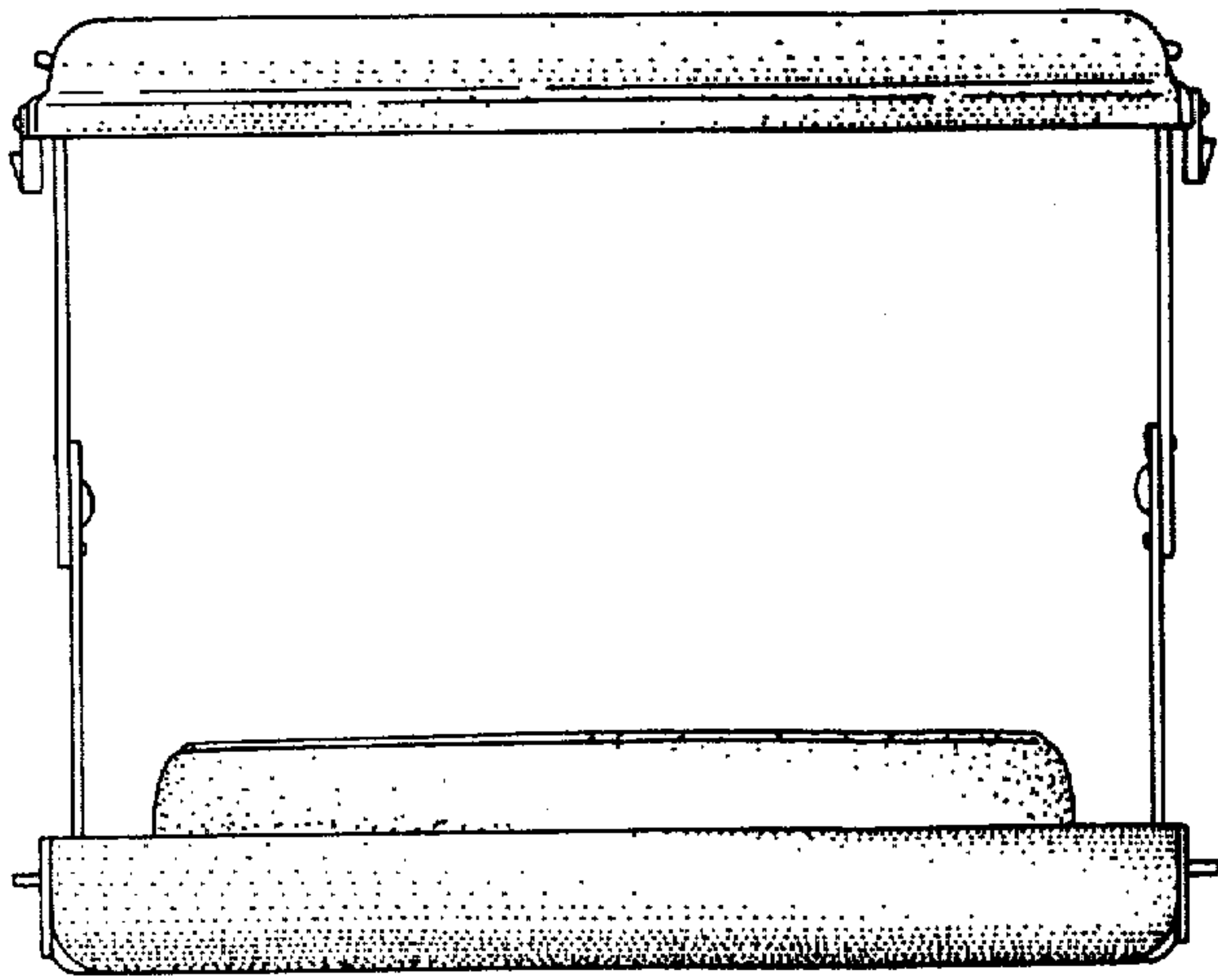


FIG. 5

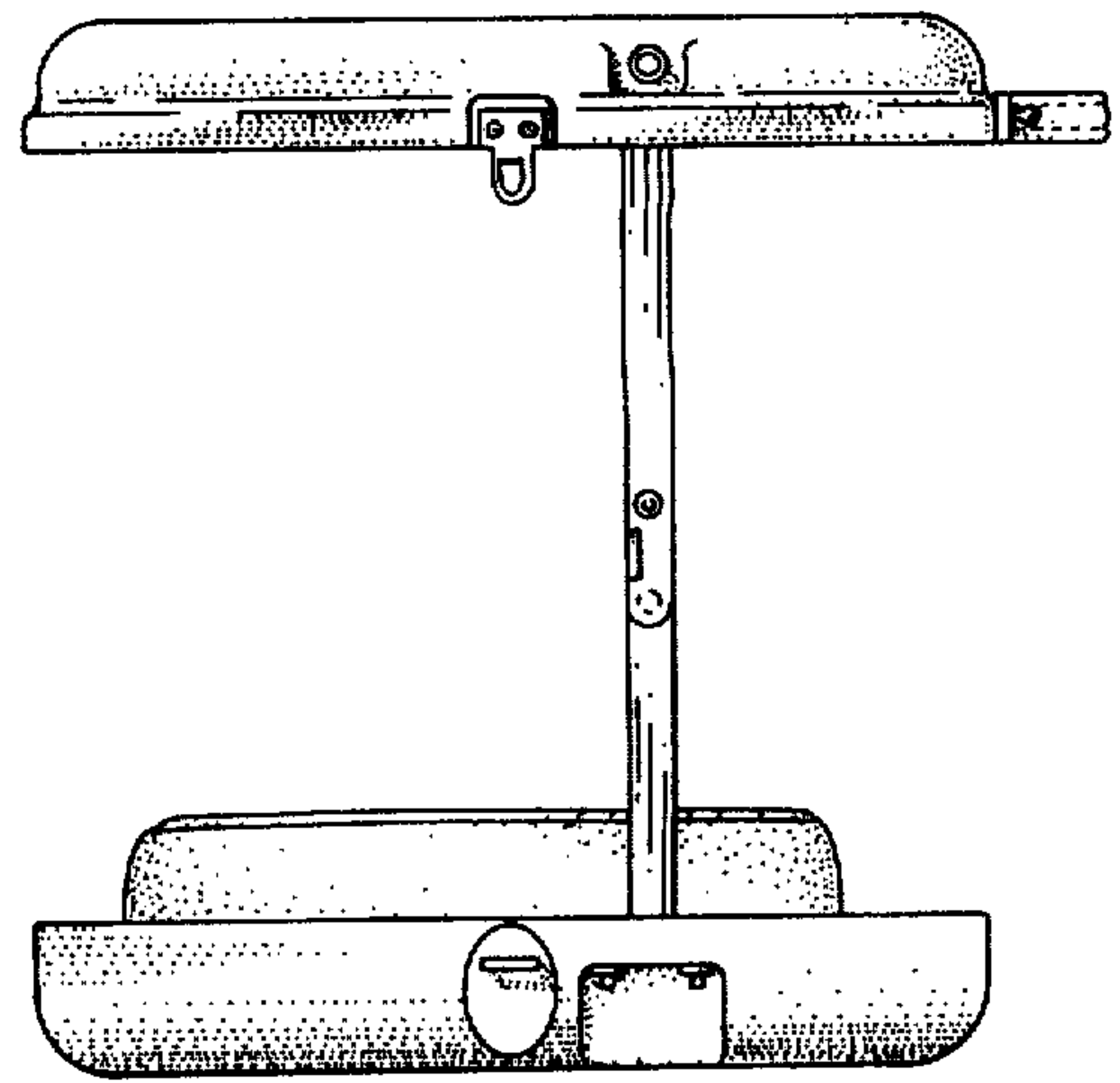


FIG. 6

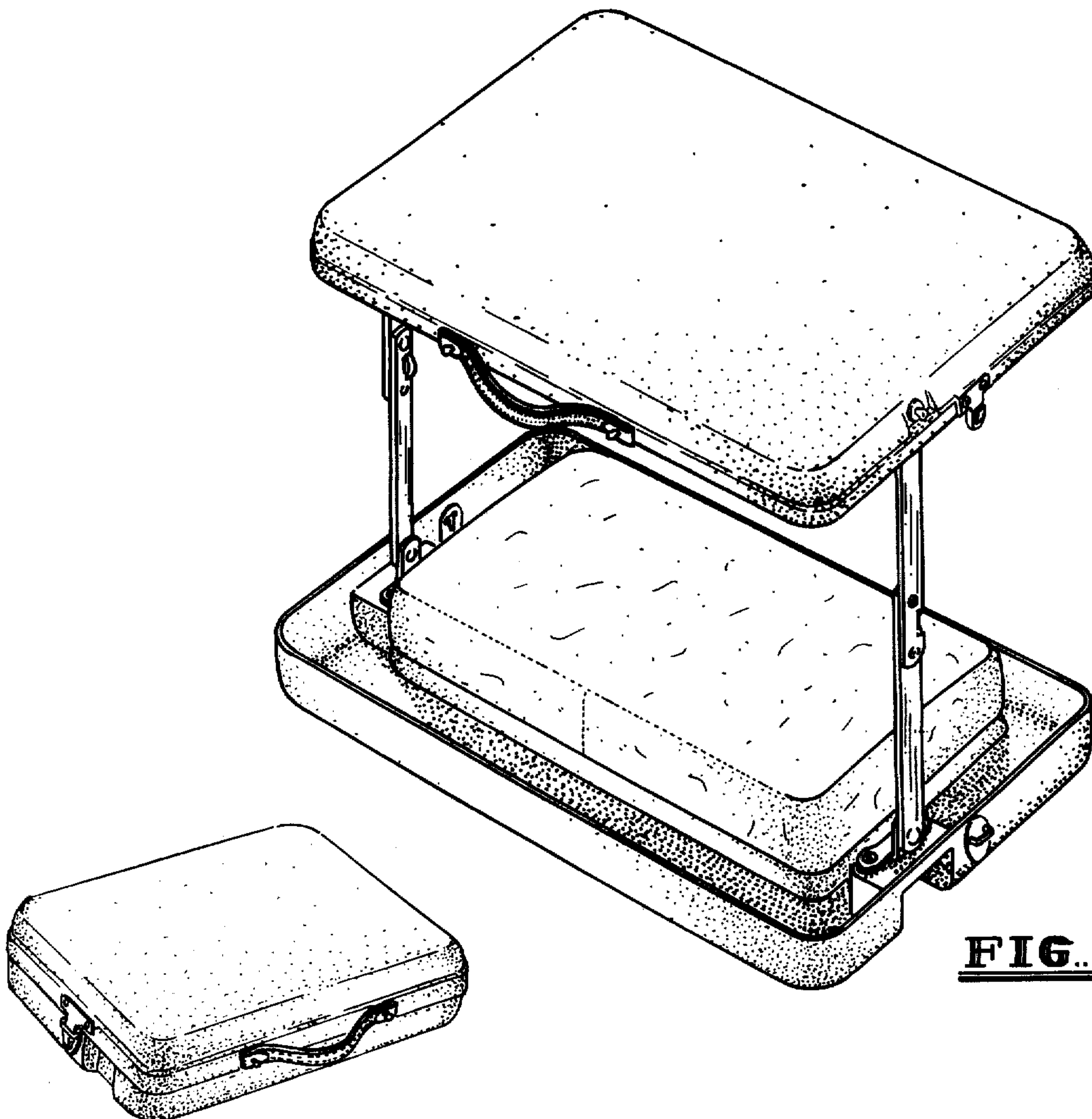


FIG. 7

FIG. 8