

[54] **ROLLER SKATE CARRIER**

[76] Inventor: **Fred W. Brown, Jr.**, 1531 Minerva Ave., Anaheim, Calif. 92804

[**] Term: **14 Years**

[21] Appl. No.: **77,082**

[22] Filed: **Sep. 20, 1979**

[51] Int. Cl. **D3-02**

[52] U.S. Cl. **D3/36**

[58] Field of Search **D3/36-38, D3/30; 12/120.5; 224/45.5; 294/34; D6/85**

3,237,226 3/1966 Gjesdahl 12/120.5

3,272,413 9/1966 Pfeider 224/45.5

3,777,956 12/1973 Jung 224/45.5

Primary Examiner—George P. Word
Attorney, Agent, or Firm—Gausewitz, Carr, Rothenberg & Edwards

CLAIM

[57] The ornamental design for a roller skate carrier, substantially as shown and described.

DESCRIPTION

FIG. 1 is a perspective view of a roller skate carrier showing my new design;
 FIG. 2 is a top plan view.
 FIG. 3 is a right side elevational view; and
 FIG. 4 is a rear elevational view thereof.

[56] **References Cited**
U.S. PATENT DOCUMENTS
 3,145,402 8/1964 Kaminski 12/120.5

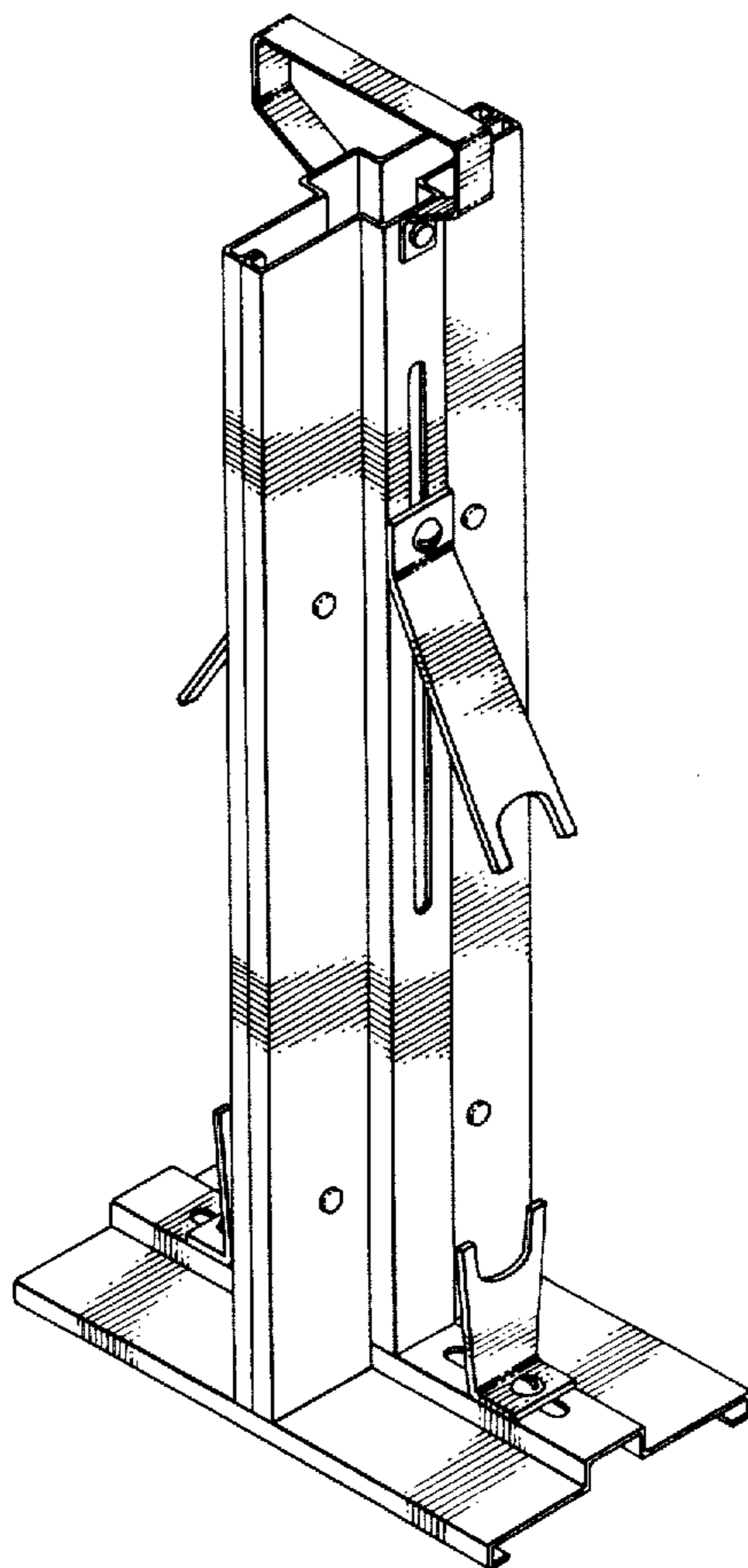


FIG. 1.

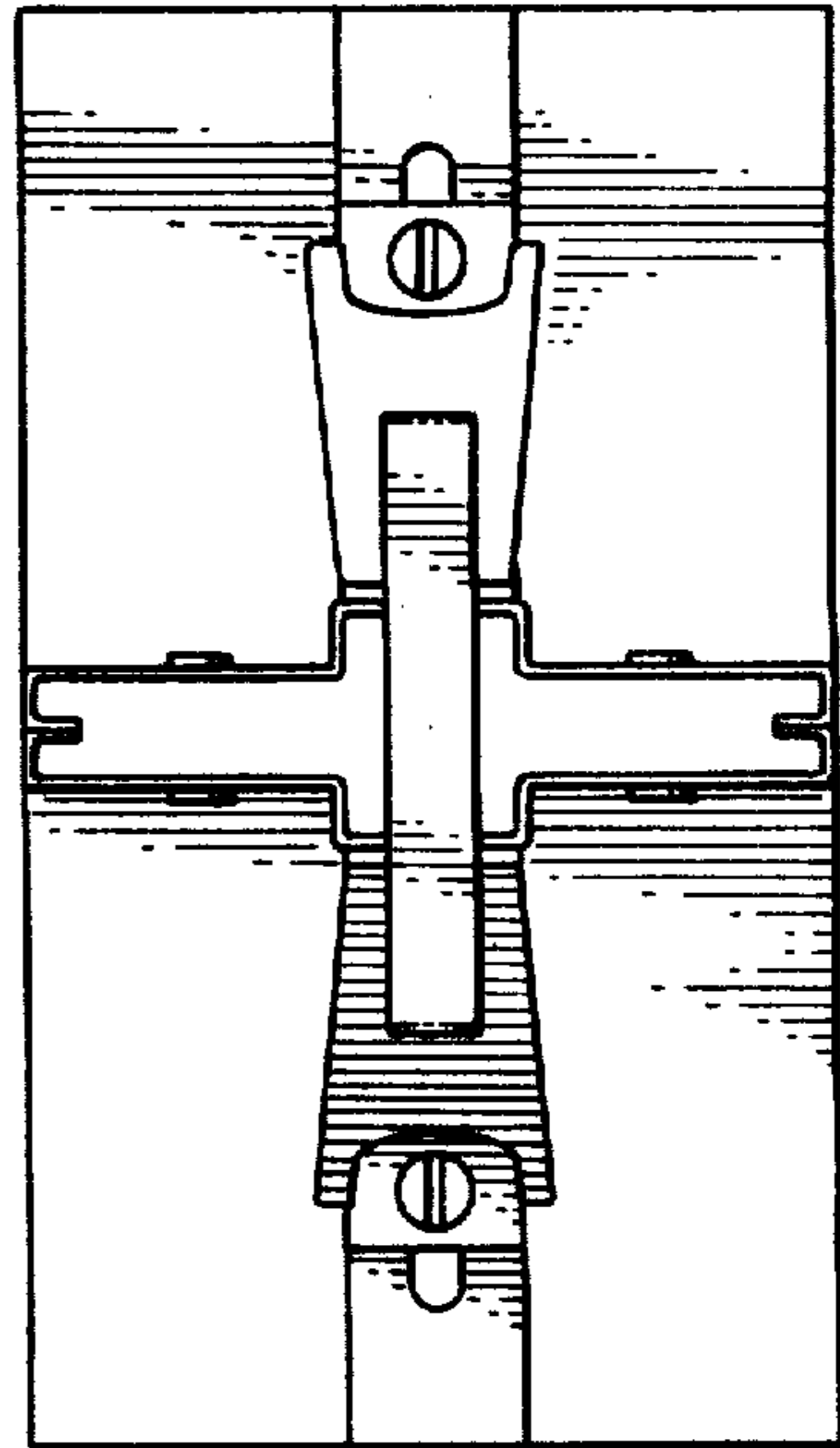
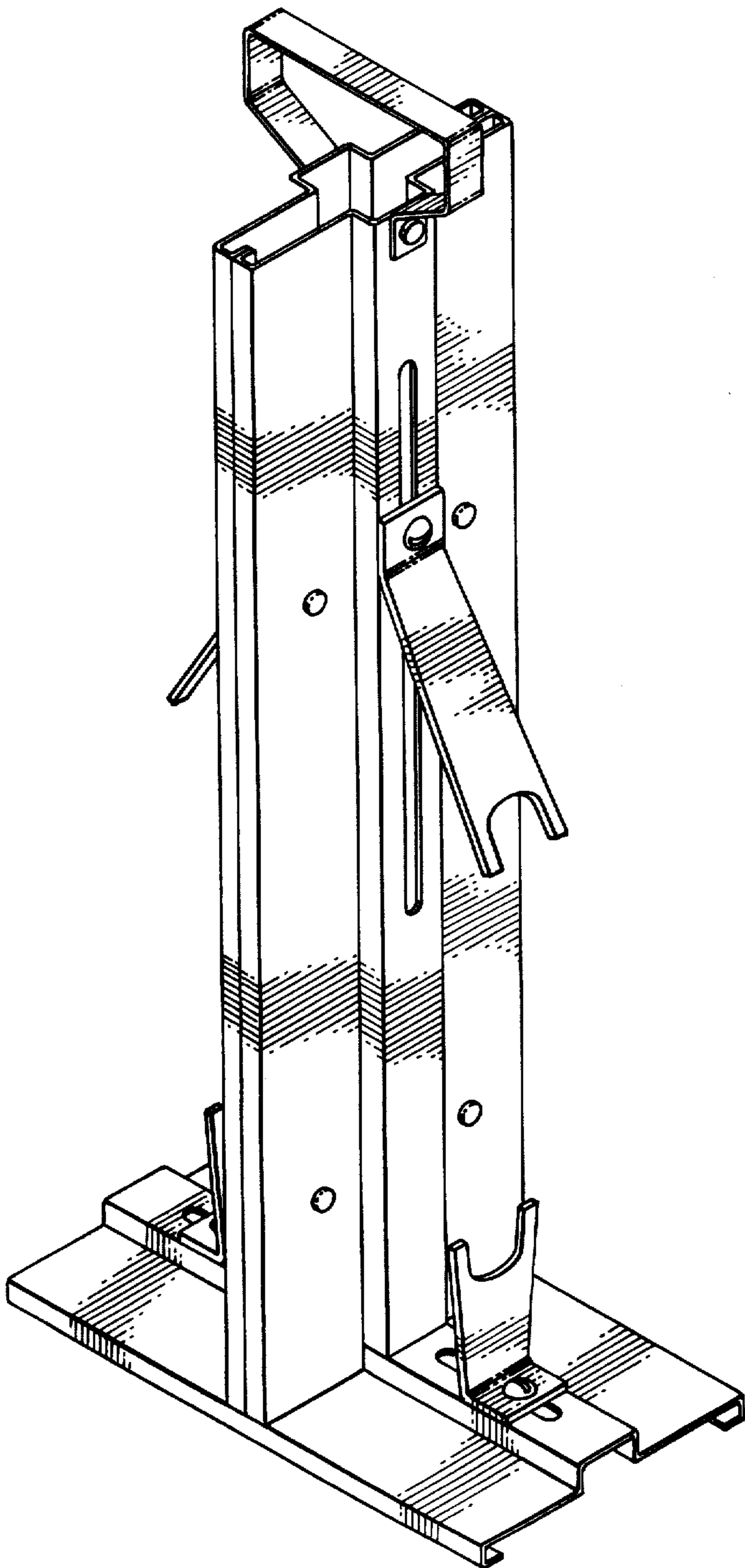


FIG. 2.

FIG. 3.

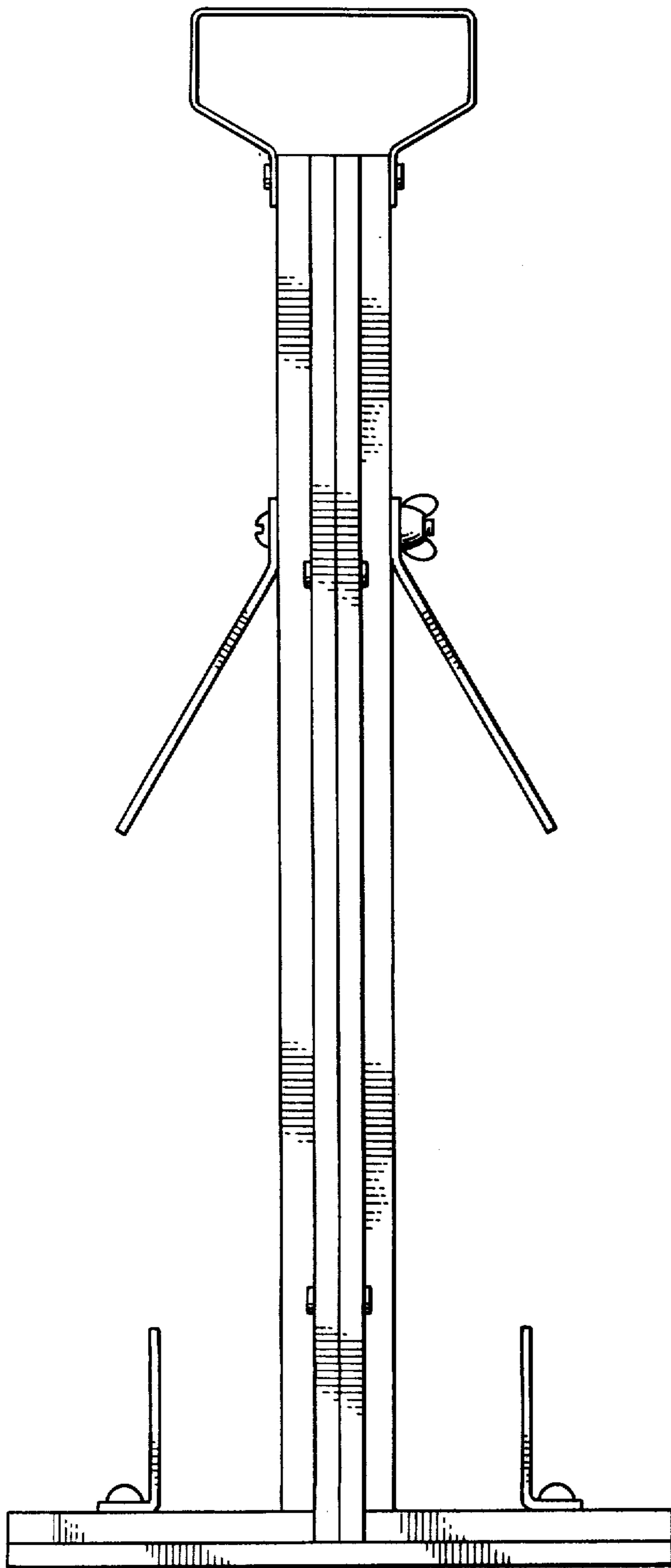


FIG. 4.

