

[54] **CAMERA AND LENS HOLDER**

[76] Inventor: **Miller Outcalt**, 2036 Broadway,  
Santa Monica, Calif. 90404

[\*\*] Term: **14 Years**

[21] Appl. No.: **79,899**

[22] Filed: **Sep. 28, 1979**

[51] Int. Cl. .... **D3-02**  
[52] U.S. Cl. .... **D3/33**  
[58] Field of Search ..... **D3/30, 33, 35;**  
**150/52 J, 52 R; 190/51; 206/593, 594, 578, 316**

[56] **References Cited**

**U.S. PATENT DOCUMENTS**

2,665,801 1/1954 Berkman ..... 206/316  
4,210,186 7/1980 Belenson ..... 150/52 J

**FOREIGN PATENT DOCUMENTS**

928992 6/1955 Fed. Rep. of Germany ..... 150/52 J  
286878 3/1953 Switzerland ..... 150/52 J

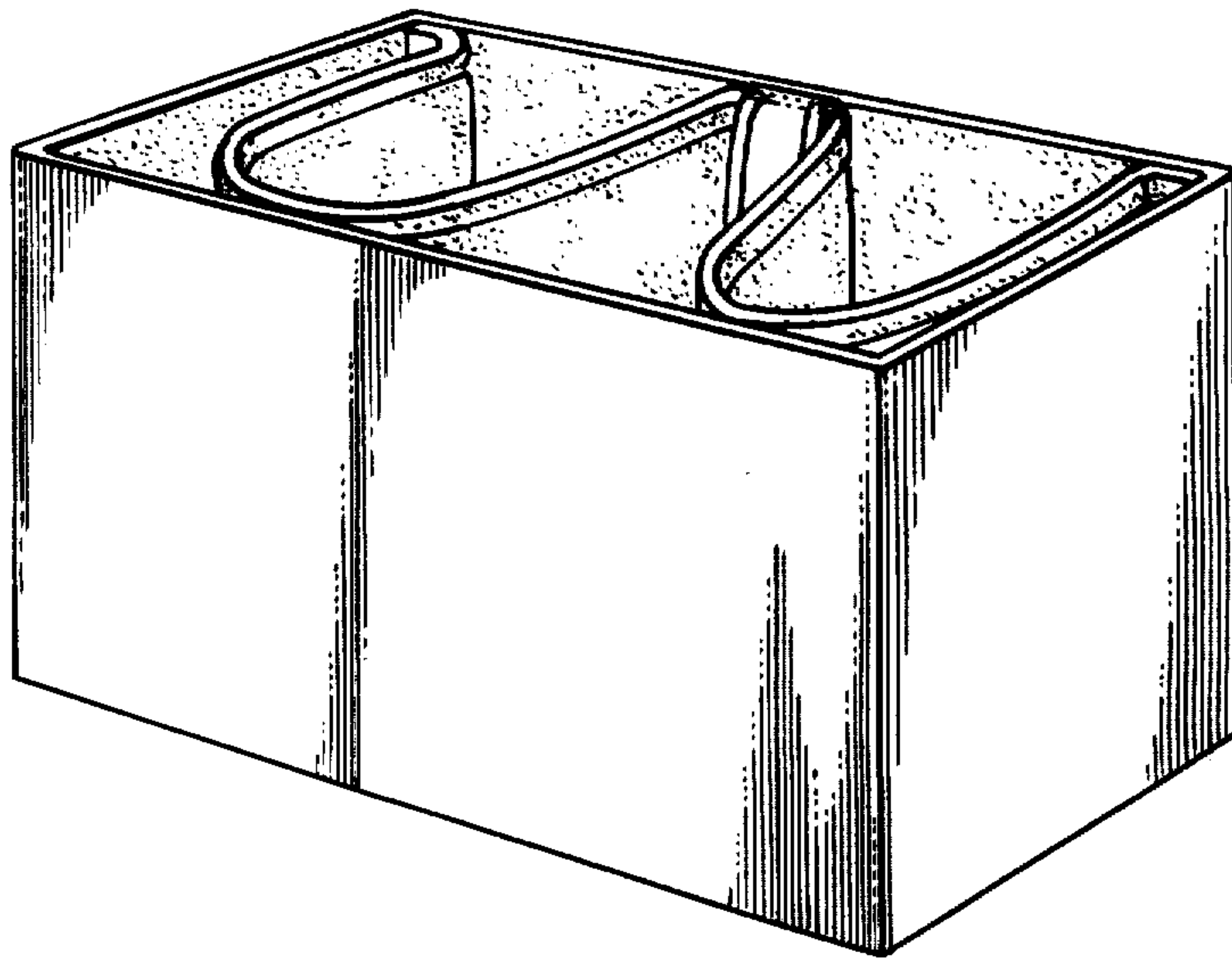
*Primary Examiner*—George P. Word  
*Attorney, Agent, or Firm*—Fulwider, Patton, Rieber,  
Lee & Utecht

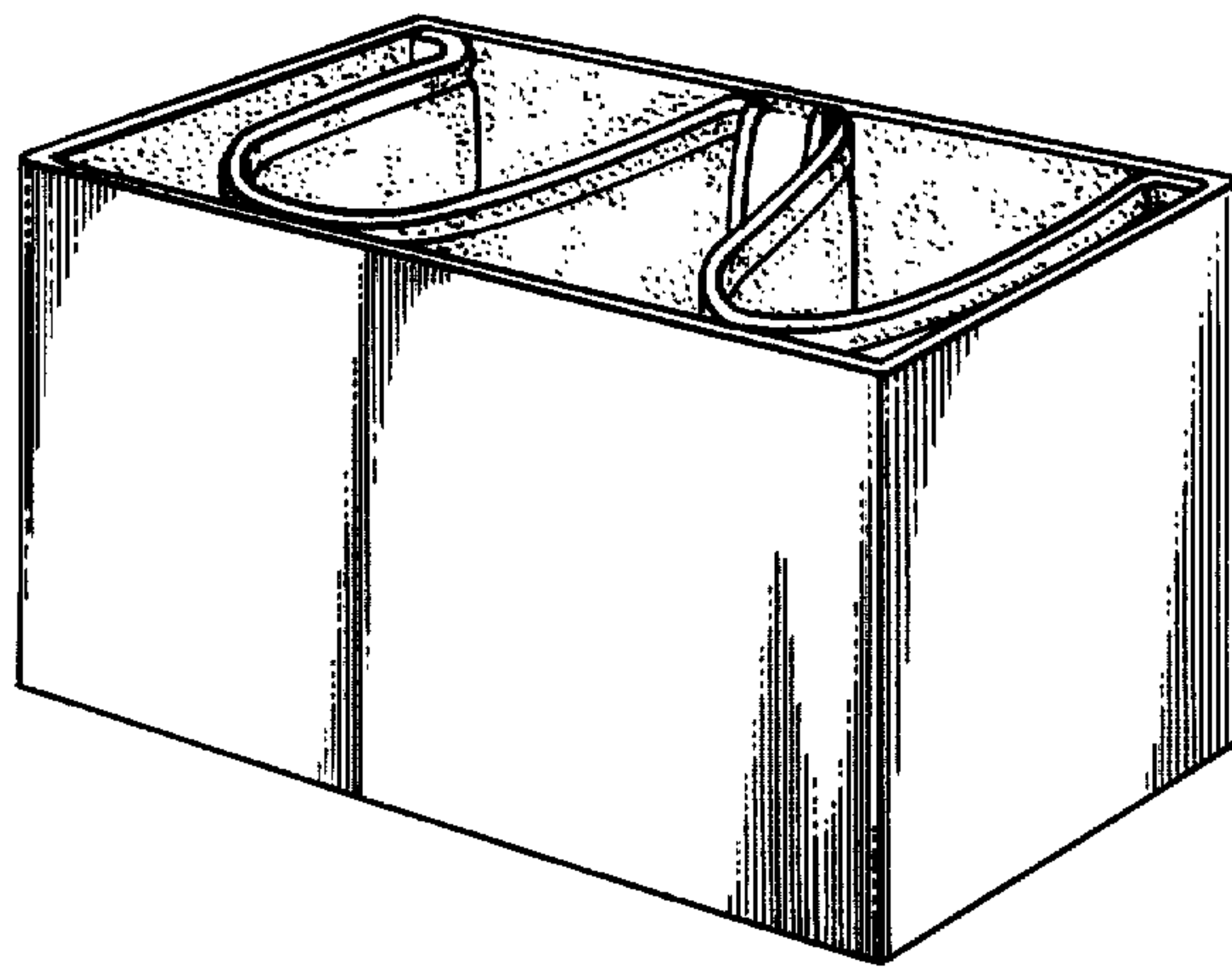
[57] **CLAIM**

The ornamental design for a camera and lens holder,  
substantially as shown.

**DESCRIPTION**

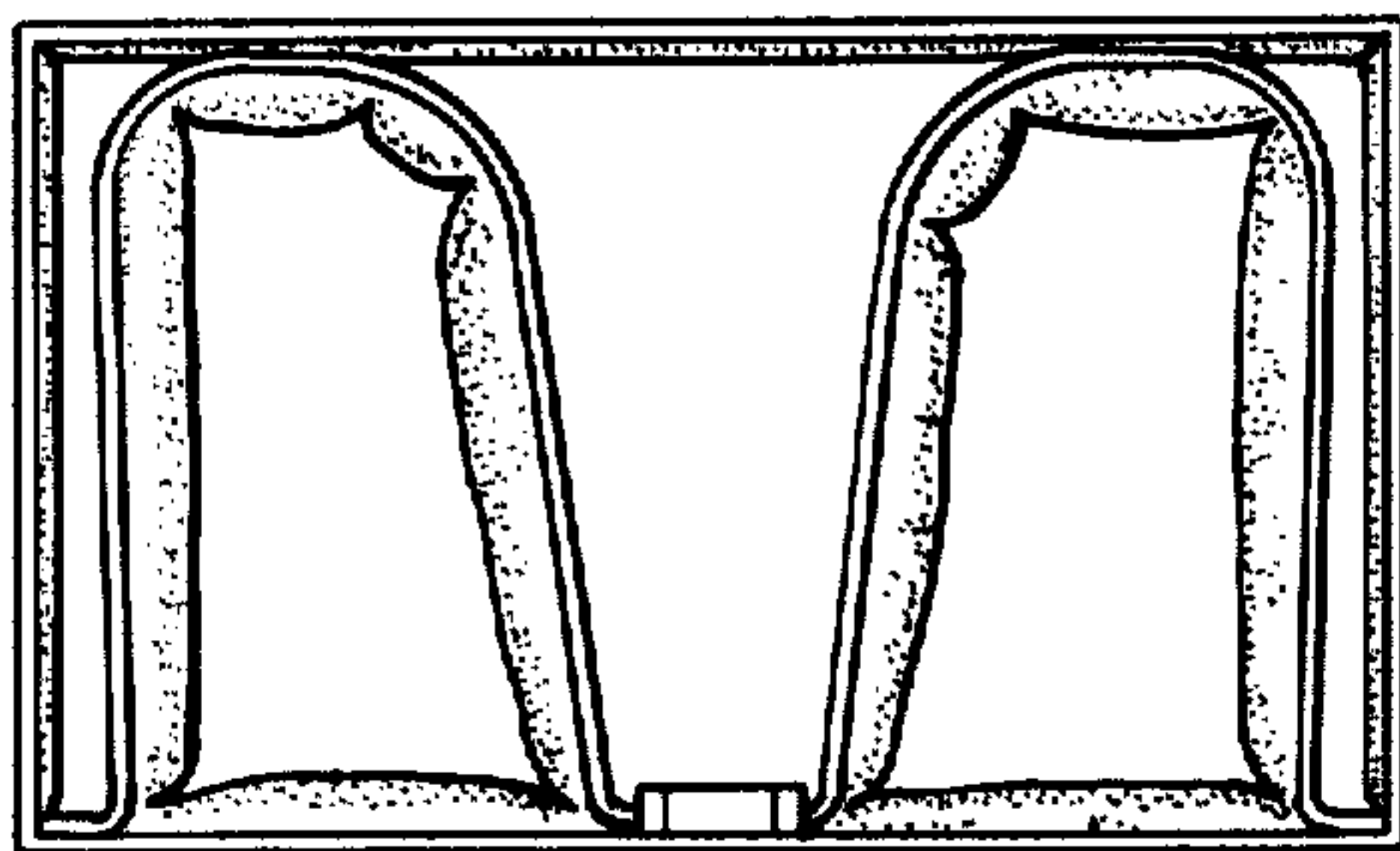
FIG. 1 is a top front perspective view of a camera and  
lens holder showing my new design;  
FIG. 2 is a bottom plan view;  
FIG. 3 is an end elevational view of the end not visible  
in FIG. 1;  
FIG. 4 is a rear elevational view; and  
FIG. 5 is a top front perspective view showing the  
interior flexible partition moved to a different position.



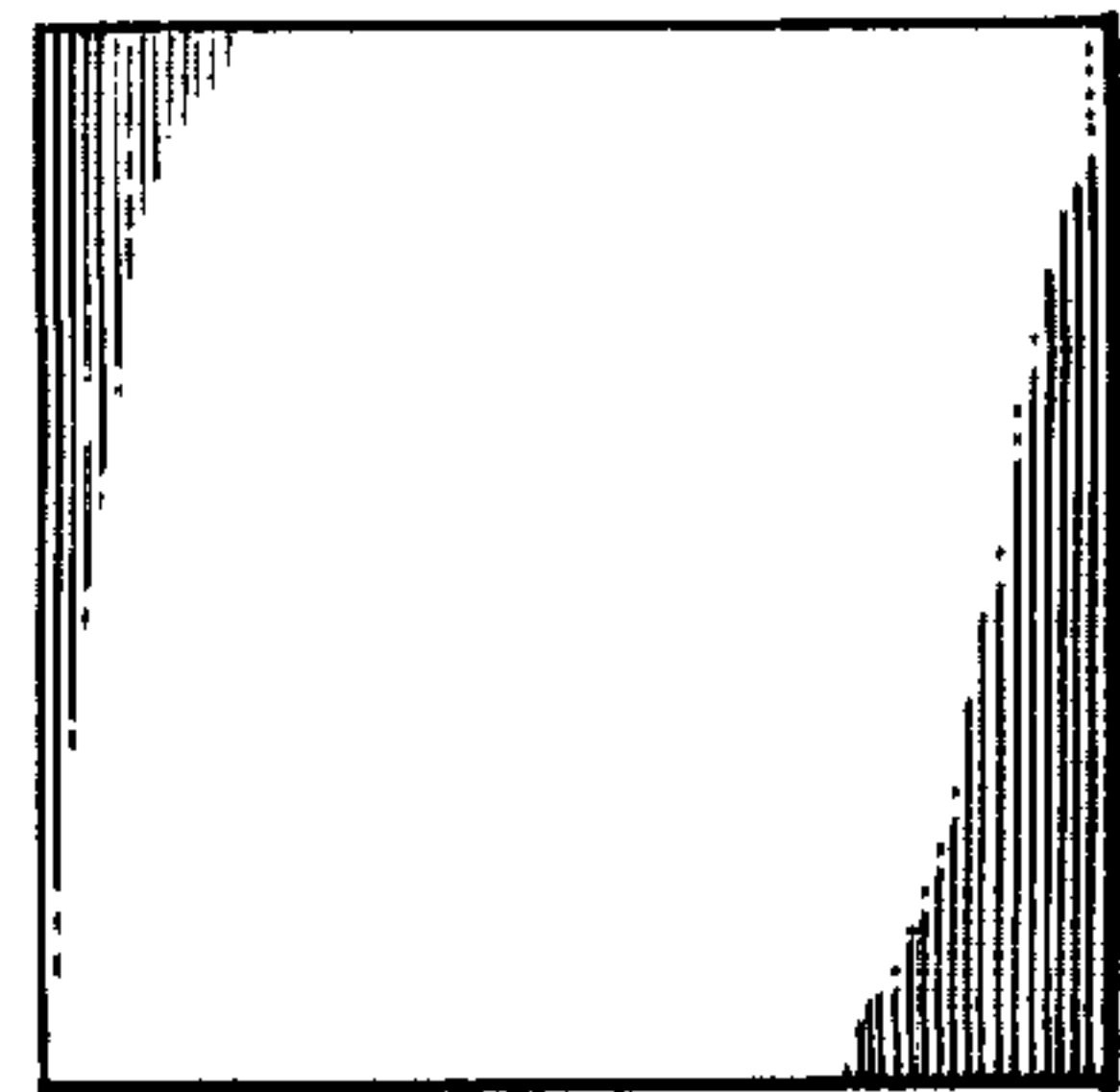


*Fig. 1*

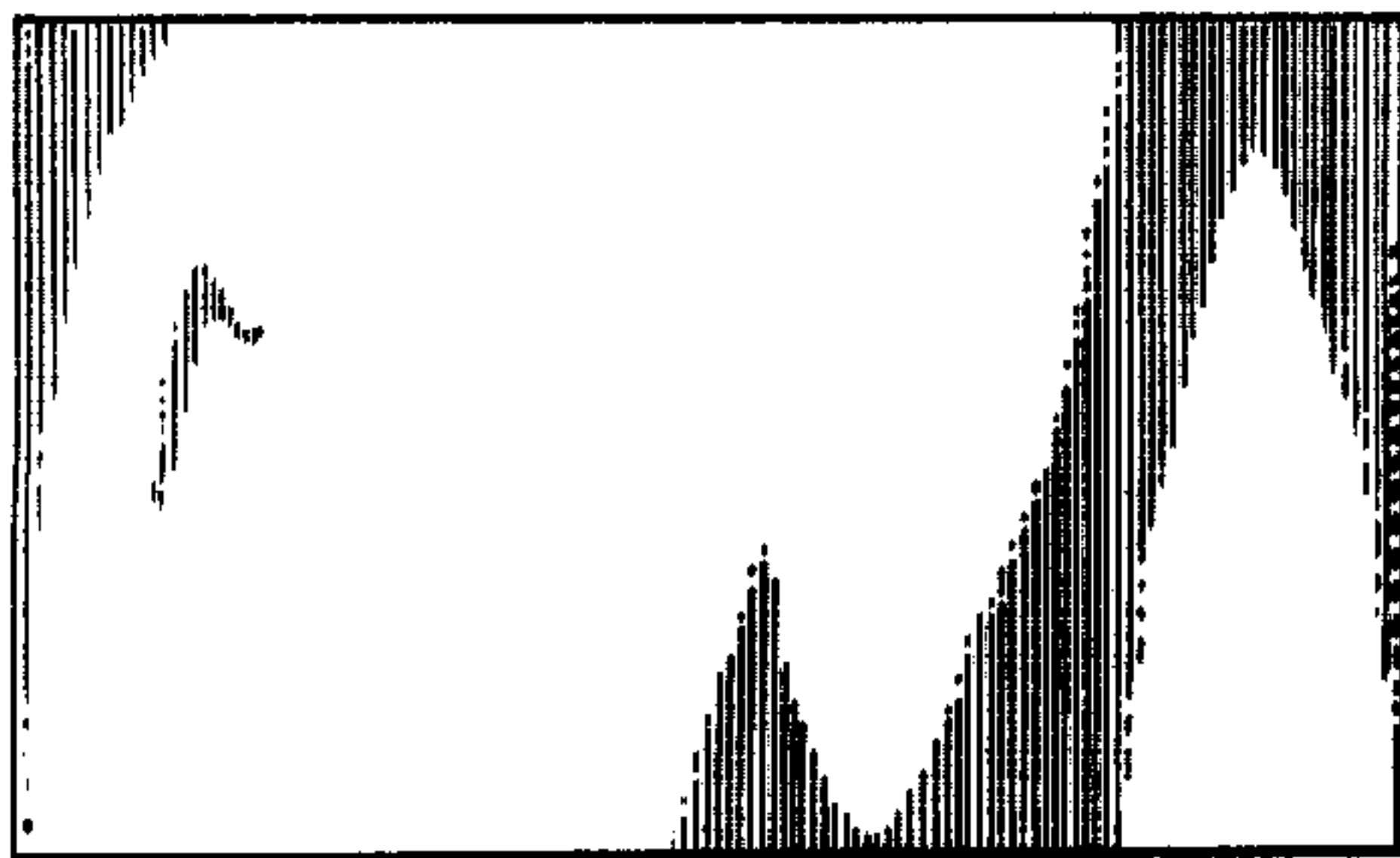
*Fig. 2*



*Fig. 3*



*Fig. 4*



*Fig. 5*

