

- [54] **COMBINED TABLE AND AQUARIUM OR THE LIKE**
- [76] Inventor: **Lubomir Holec, 5220 Outer Dr., Windsor, Ontario, Canada, N9A 6J3**
- [**] Term: **14 Years**
- [21] Appl. No.: **130,012**
- [22] Filed: **Mar. 13, 1980**
- [51] Int. Cl. **D30-02**
- [52] U.S. Cl. **D30/11**
- [58] Field of Search **D30/6-12; D6/175; D11/145; 119/5**

Attorney, Agent, or Firm—Barnes, Kisselle, Raisch & Choate

[57] **CLAIM**

The ornamental design for a combined table and aquarium or the like, as shown and described.

DESCRIPTION

FIG. 1 is a perspective view of a combined table and aquarium or the like embodying my new design; FIG. 2 is a top plan view thereof; FIG. 3 is an elevational view taken from one side thereof, the opposite side being the same as the side shown; FIG. 4 is an elevational view taken from one end thereof, the opposite end being the same as the end shown; FIG. 5 is a perspective view of a modified form of the combined table and aquarium or the like shown in FIG. 1; FIG. 6 is a top plan view of FIG. 5; FIG. 7 is an elevational view taken from one side of FIG. 5, the opposite side being the same as the side shown; FIG. 8 is an elevational view taken from one end of FIG. 5, the opposite end being the same as the end shown; and FIG. 9 is a cross sectional view taken on line 7-7 of FIG. 7.

[56] **References Cited**
U.S. PATENT DOCUMENTS

D. 148,608	2/1948	Bullock	D30/11
D. 149,043	3/1948	Bouligny	D30/11
D. 159,661	8/1950	Newcome	D30/11
D. 218,047	7/1970	Schwoch et al.	D30/11
D. 229,652	12/1973	Brooke, Jr.	D6/175
D. 231,885	6/1974	Kephart	D6/175
D. 231,886	6/1974	Kephart	D6/175
D. 231,887	6/1974	Kephart	D6/175
D. 234,024	12/1974	Kuneff	D30/9
3,807,356	4/1974	Pratt	119/5

Primary Examiner—James R. Largen

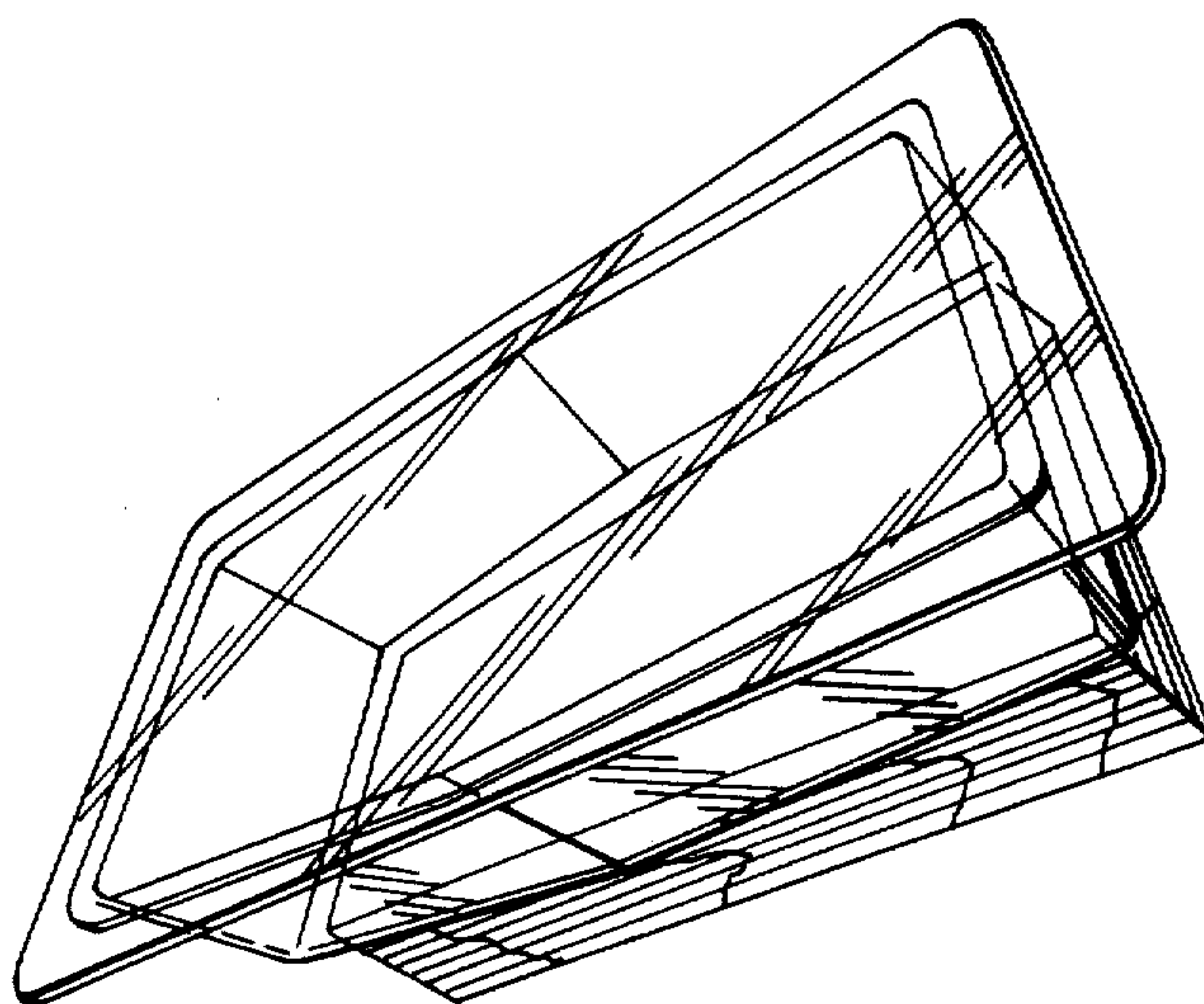


FIG. 1

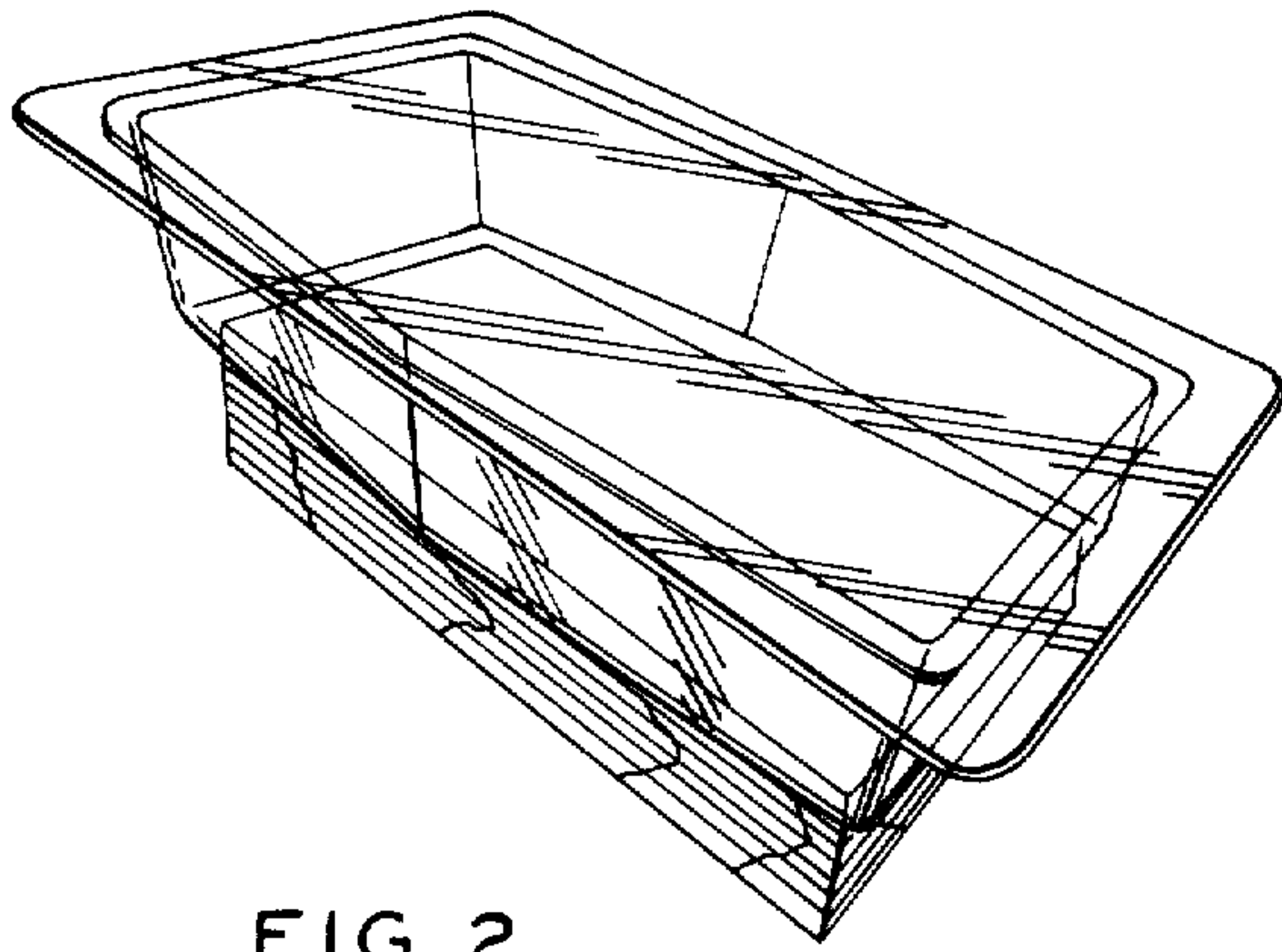


FIG. 4

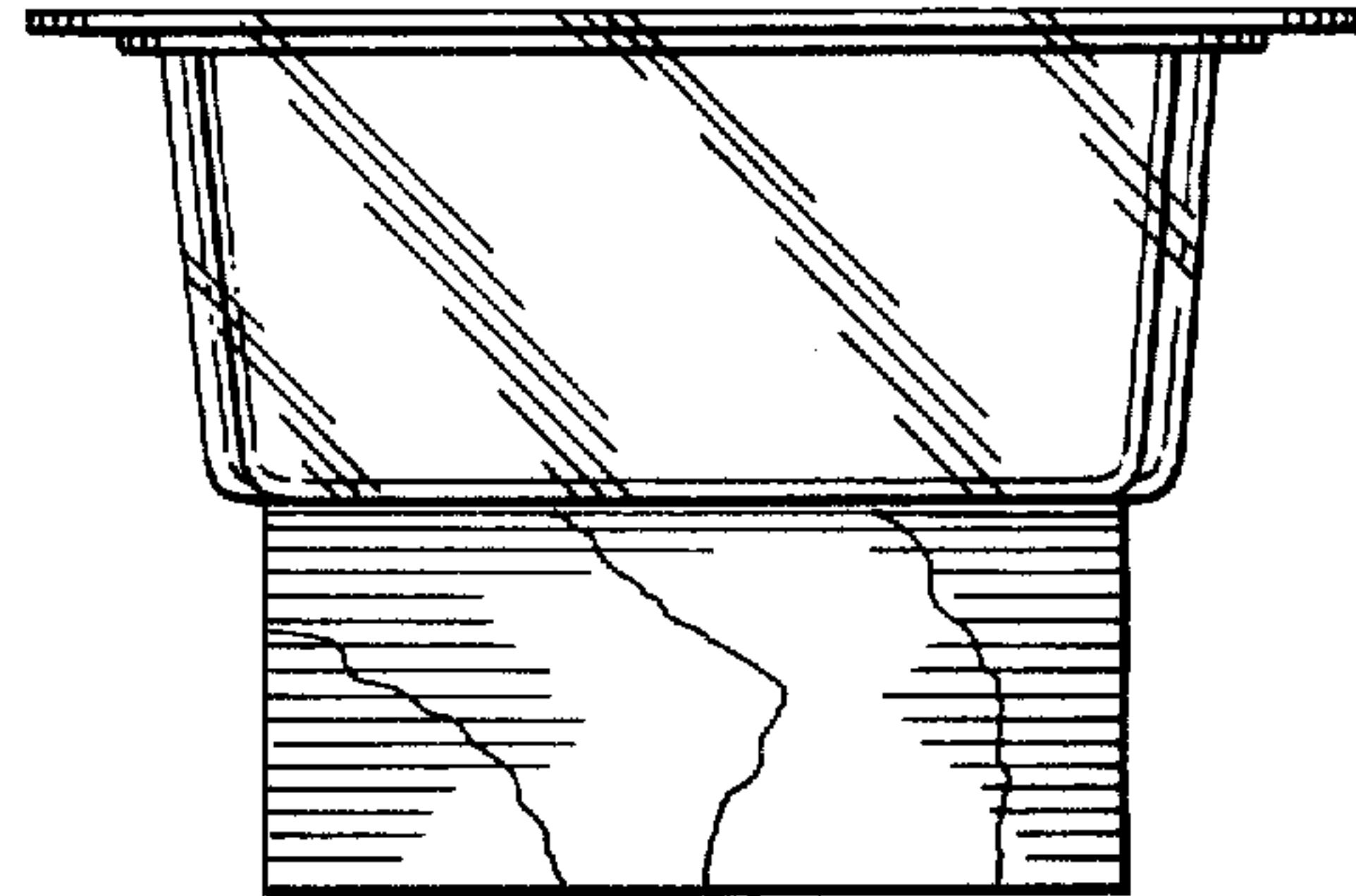


FIG. 2

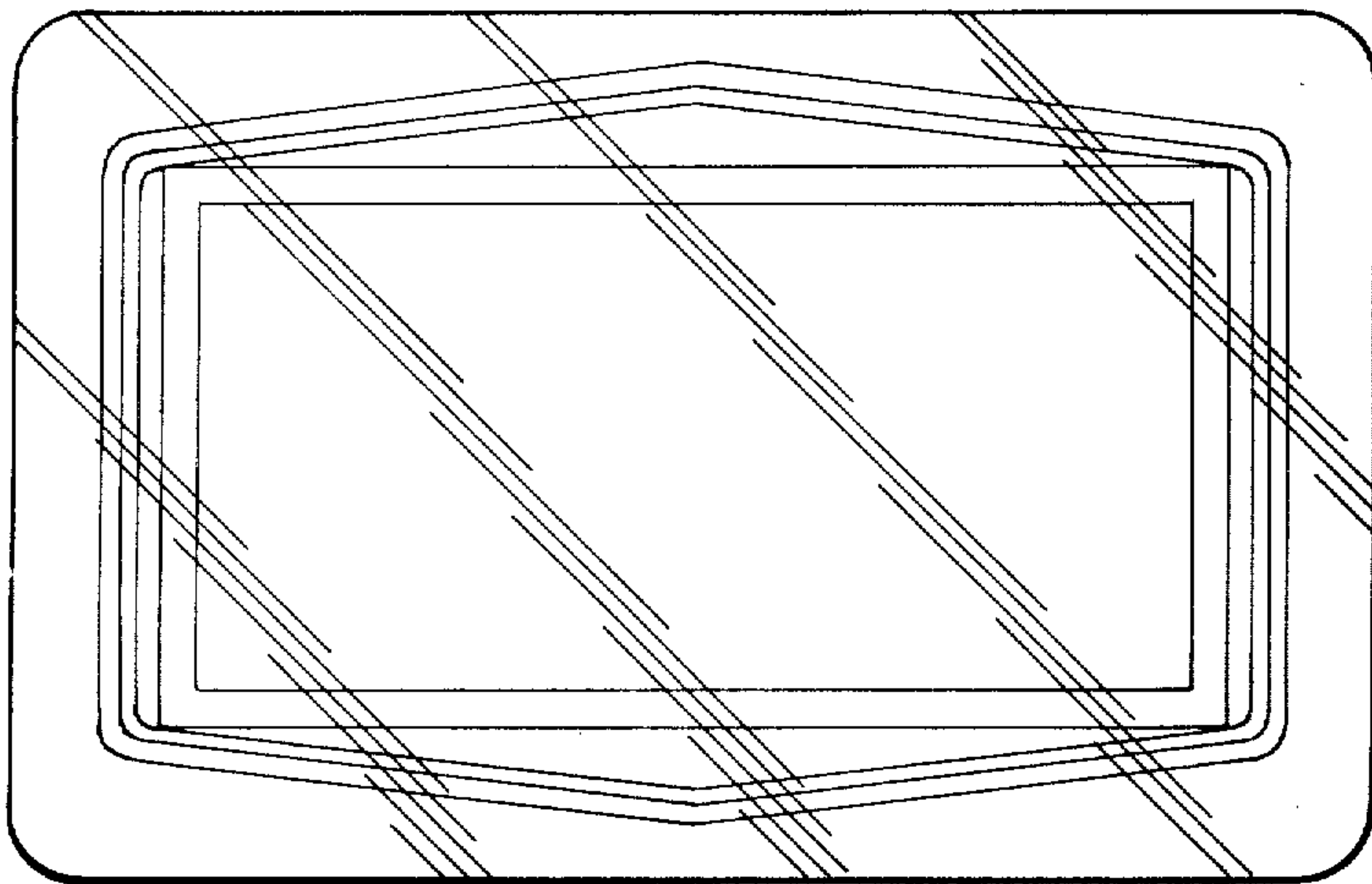


FIG. 3

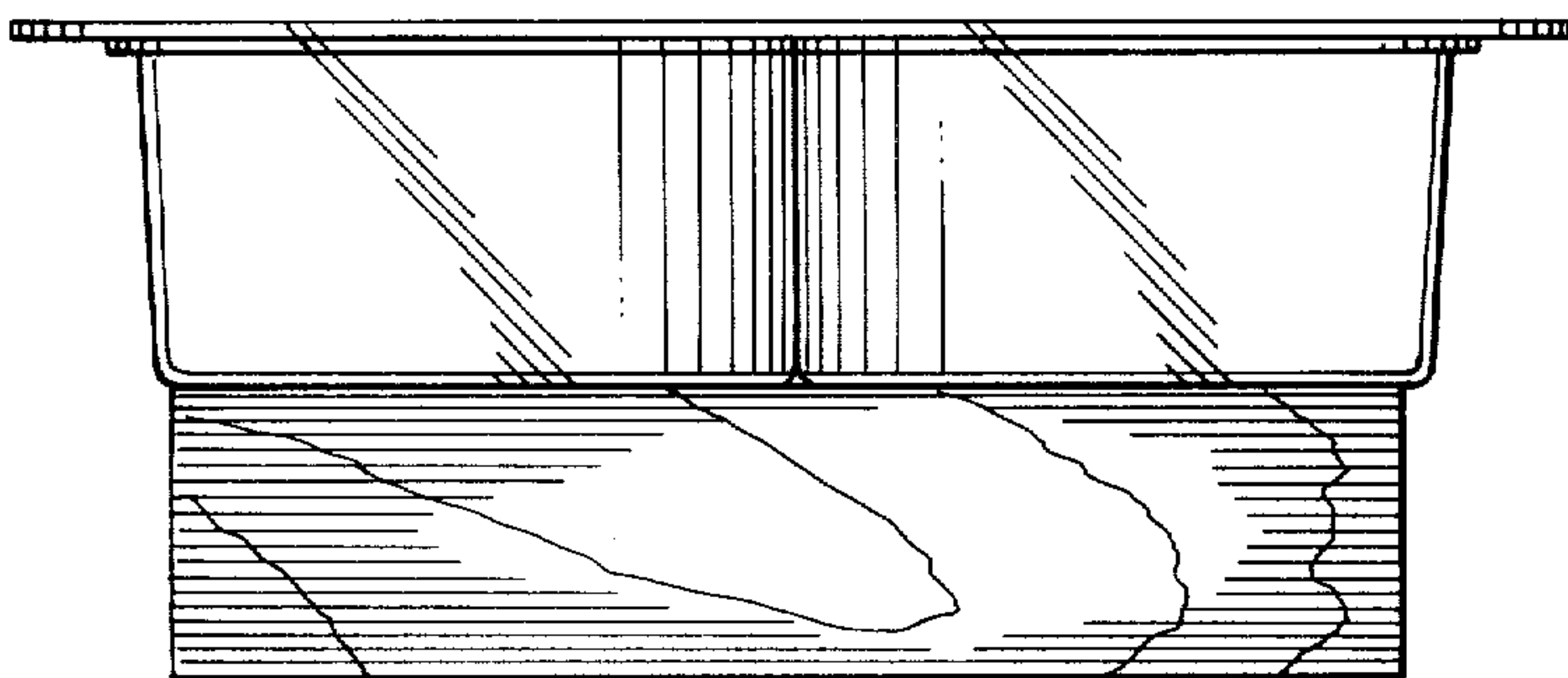


FIG. 5

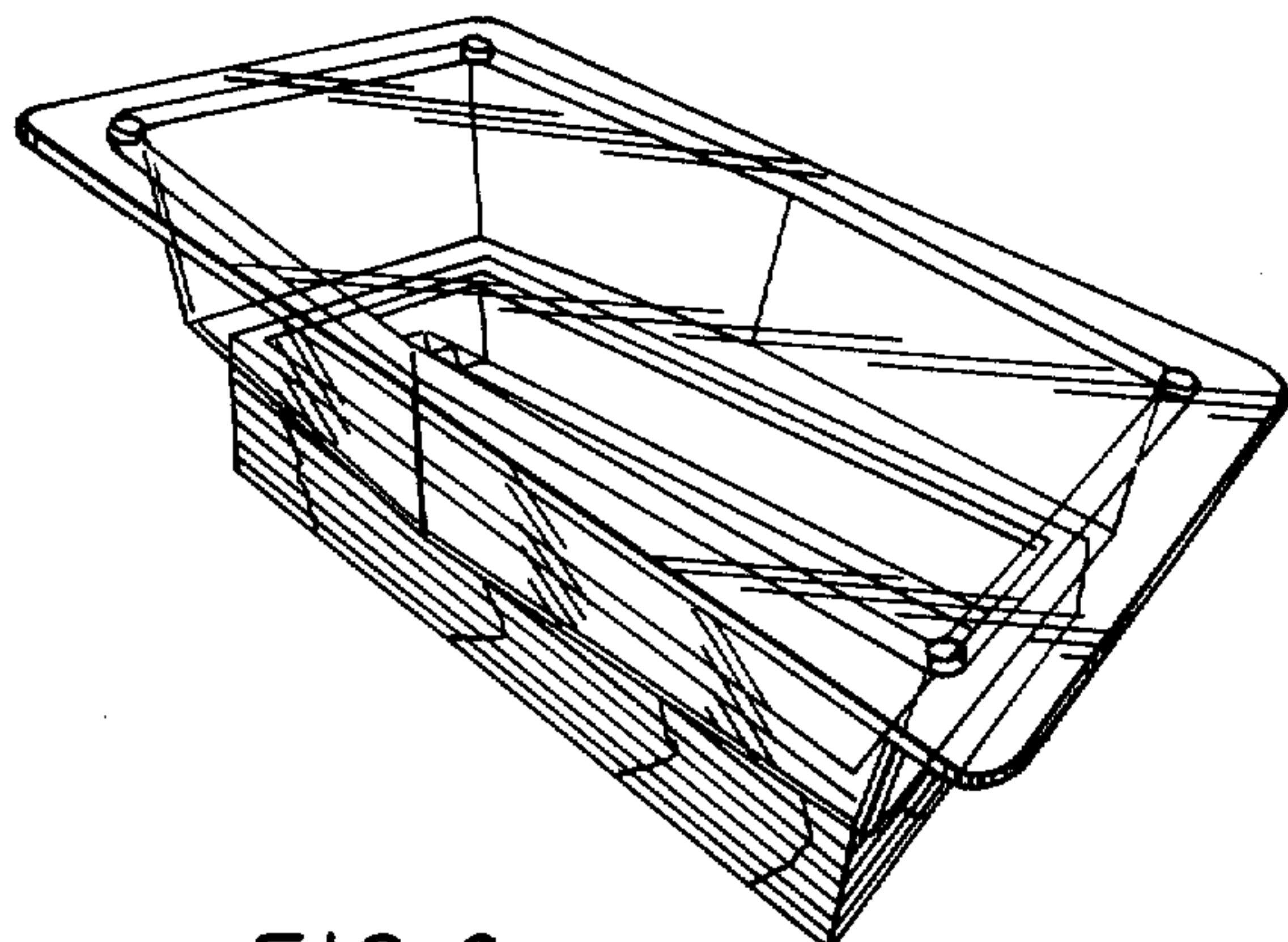


FIG. 8

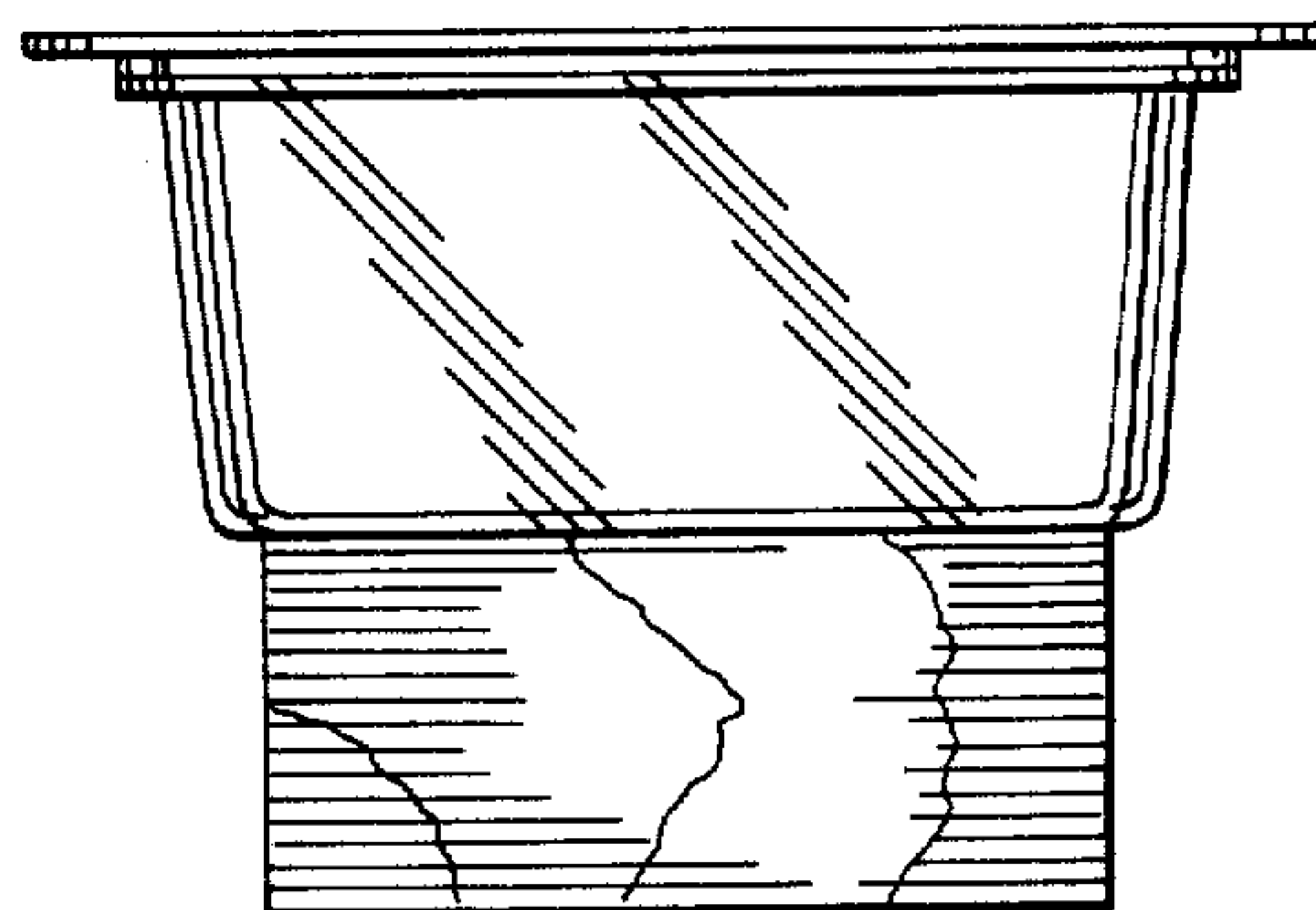


FIG. 6

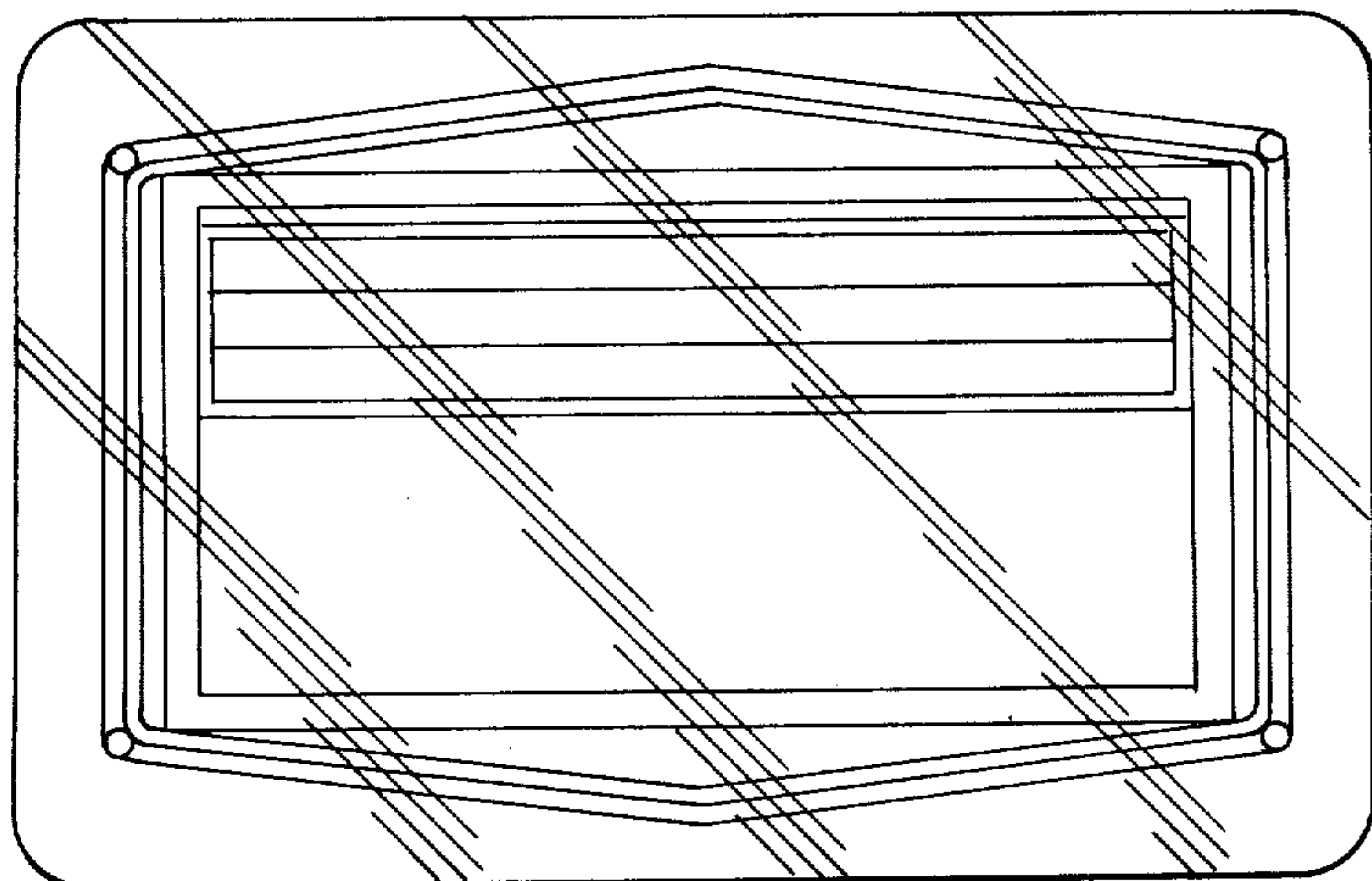


FIG. 7

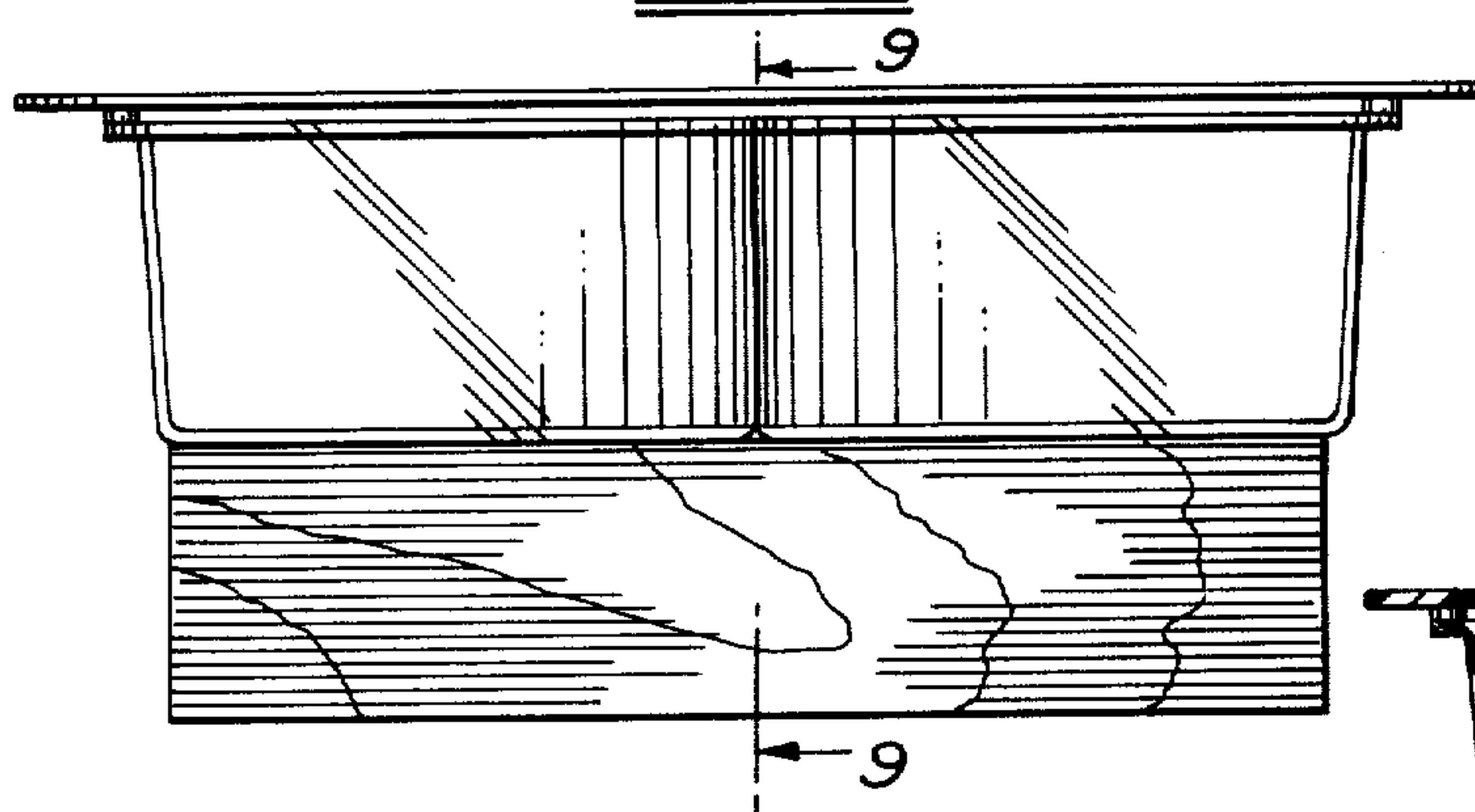


FIG. 9

