

[54] **COMBINED BIRD CAGE ROOF AND BOTTOM TRAY**

[75] Inventors: **Michael Biro; Hans Muckenfuss,**  
both of Montreal, Canada

[73] Assignee: **Rolf C. Hagen Ltd.,** Montreal,  
Canada

[\*\*] Term: **14 Years**

[21] Appl. No.: **85,196**

[22] Filed: **Oct. 16, 1979**

[51] Int. Cl. .... **D30-02**

[52] U.S. Cl. .... **D30/4**

[58] Field of Search ..... **D30/2-5;**  
119/17

[56] **References Cited**

**U.S. PATENT DOCUMENTS**

D. 72,159	3/1927	Lindemann .....	D30/4
D. 177,278	3/1956	Reichert .....	D30/4
D. 255,271	6/1980	Voss .....	D30/4
D. 255,272	6/1980	Voss .....	D30/4
1,502,748	7/1924	Schleieh .....	119/17
1,672,645	6/1928	Kroezek .....	119/17
2,939,422	6/1960	Yellin .....	119/17

3,272,376 9/1966 Tierney et al. .... 119/17

**OTHER PUBLICATIONS**

Applied Photography, ©1955 by Eastman Kodak Co.,  
outside rear cover.

*Primary Examiner*—James R. Largen  
*Attorney, Agent, or Firm*—Wolf, Greenfield & Sacks

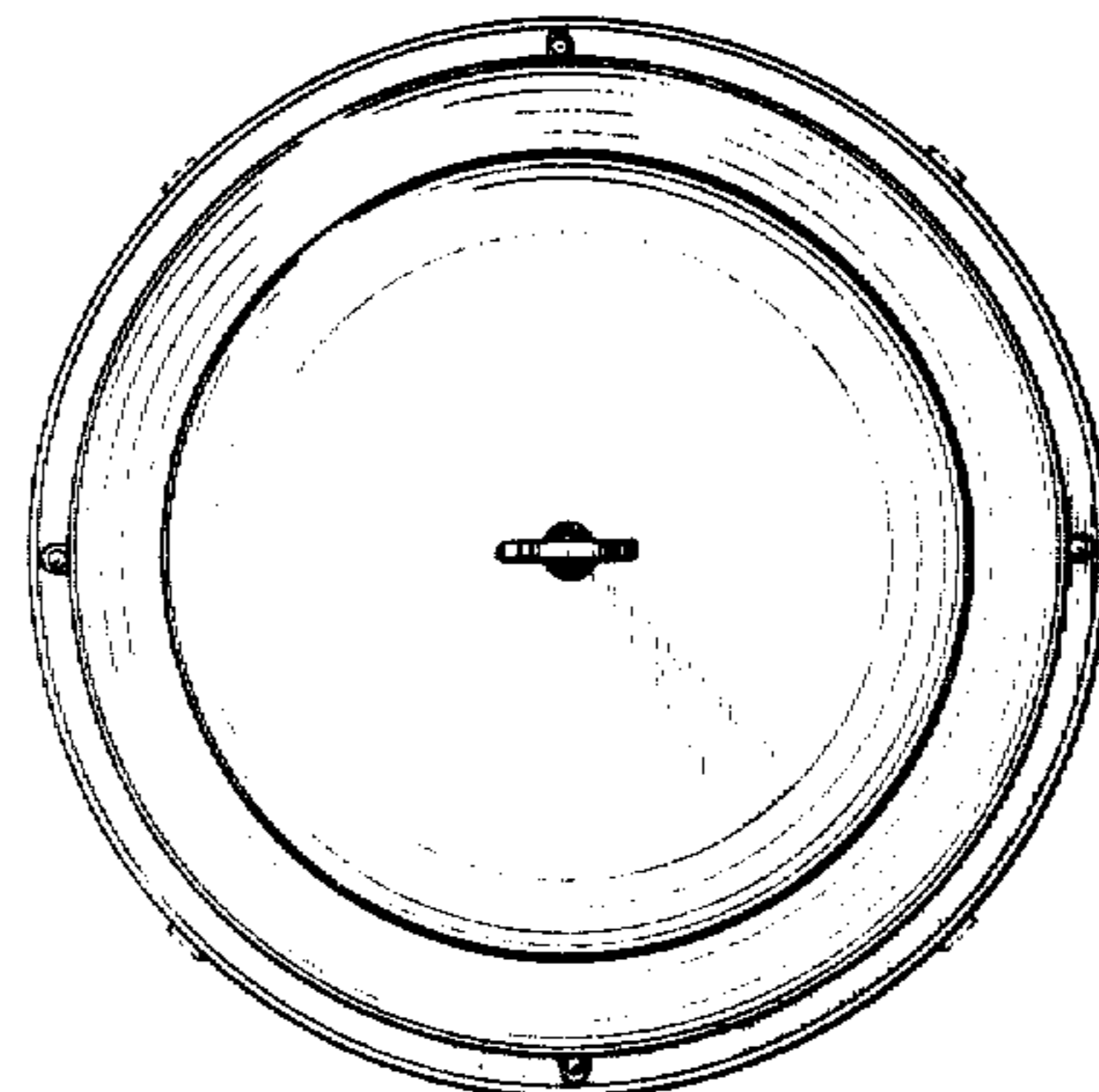
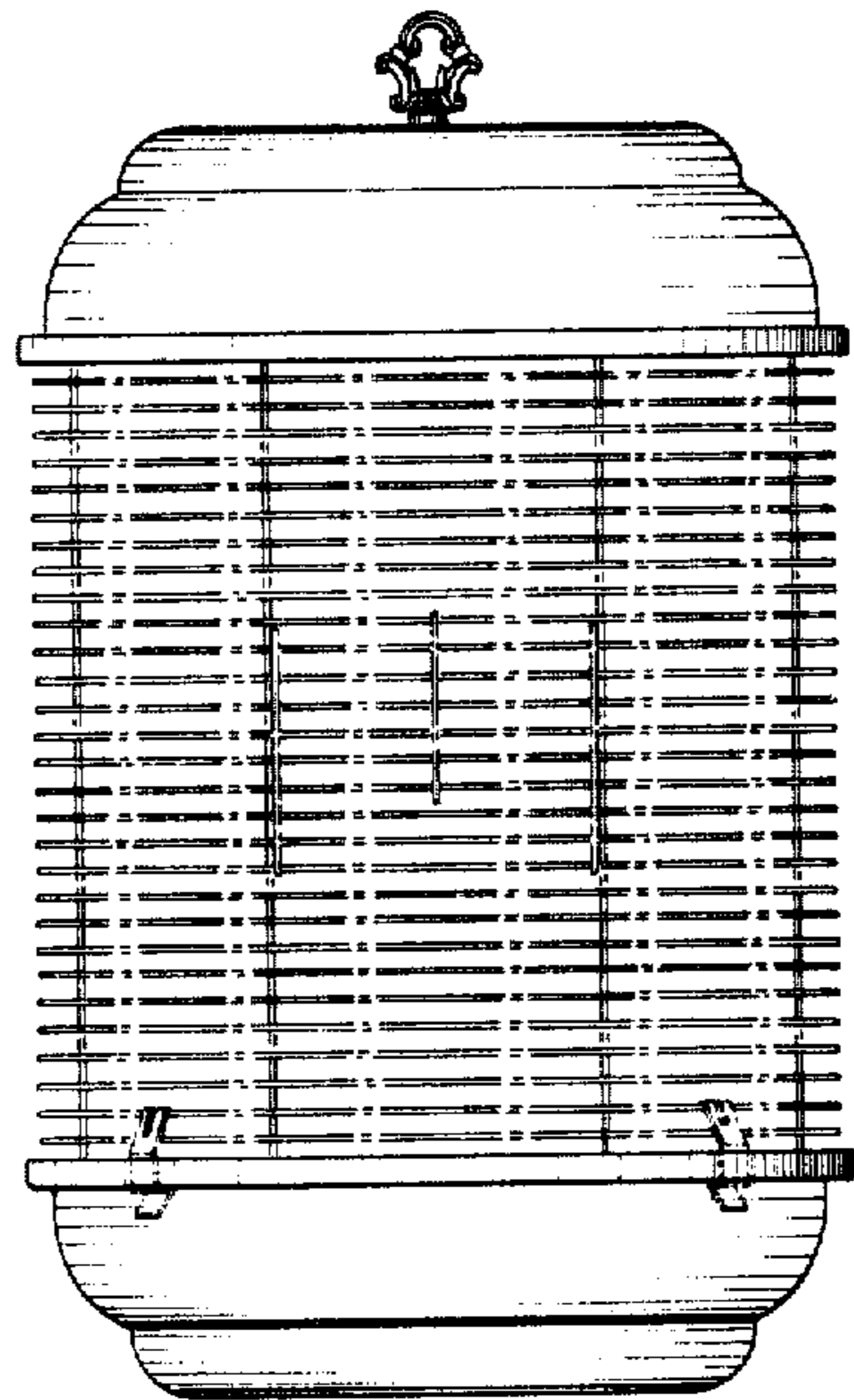
[57] **CLAIM**

The ornamental design for a combined bird cage roof and bottom tray, as shown and described.

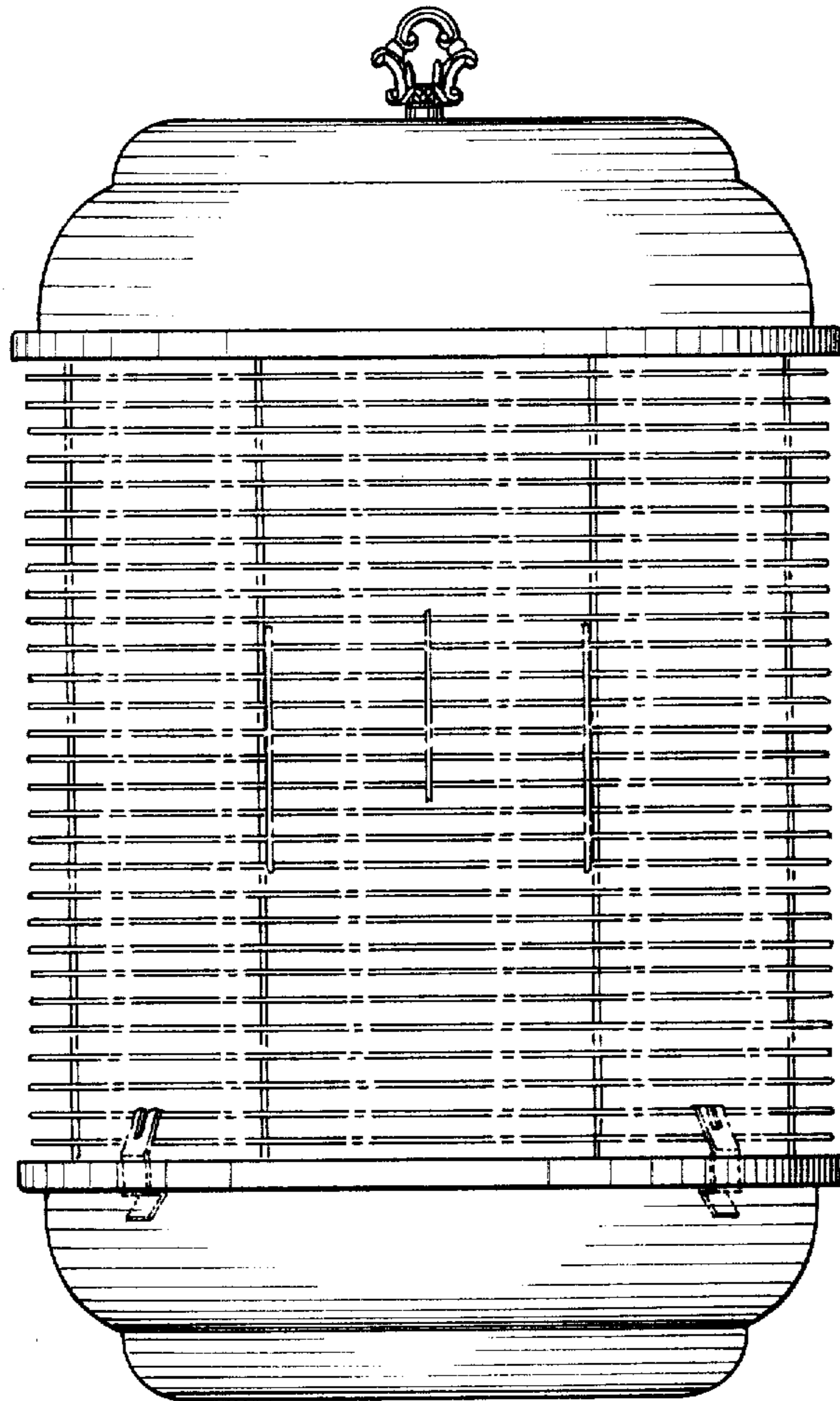
**DESCRIPTION**

FIG. 1 is a front view of a combined bird cage roof and bottom tray showing our new design;  
FIG. 2 is a top view thereof;  
FIG. 3 is a side elevation view thereof;  
FIG. 4 is a bottom view thereof;  
FIG. 5 is a front view of a modified form of the combined bird cage roof and bottom tray shown in FIG. 1;  
FIG. 6 is a top view of FIG. 5;  
FIG. 7 is a side elevation view of FIG. 5; and  
FIG. 8 is a bottom view of FIG. 5.

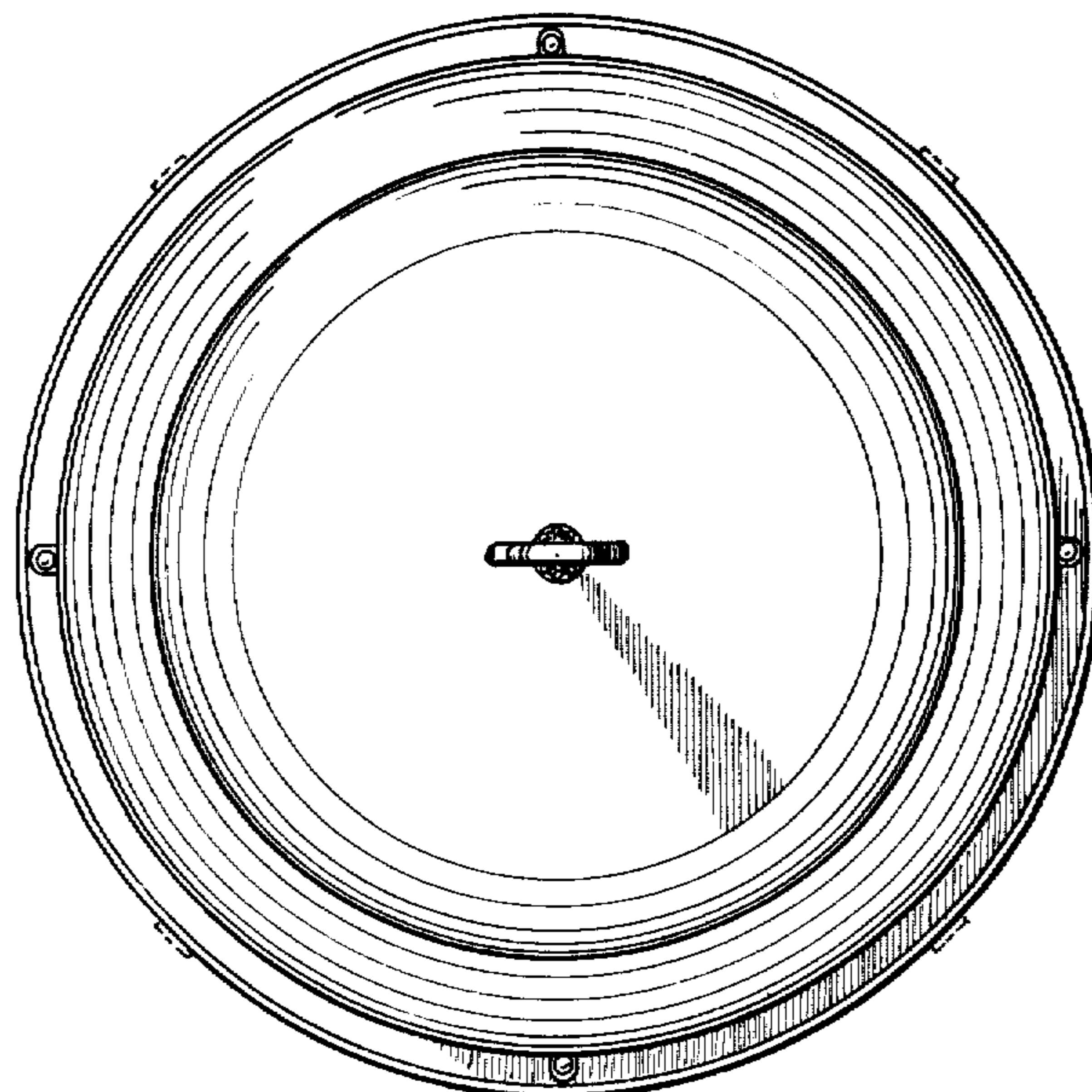
The broken line showing of a wire cage in FIGS. 1 through 8 is for purposes of illustration only and forms no part of the claimed design.



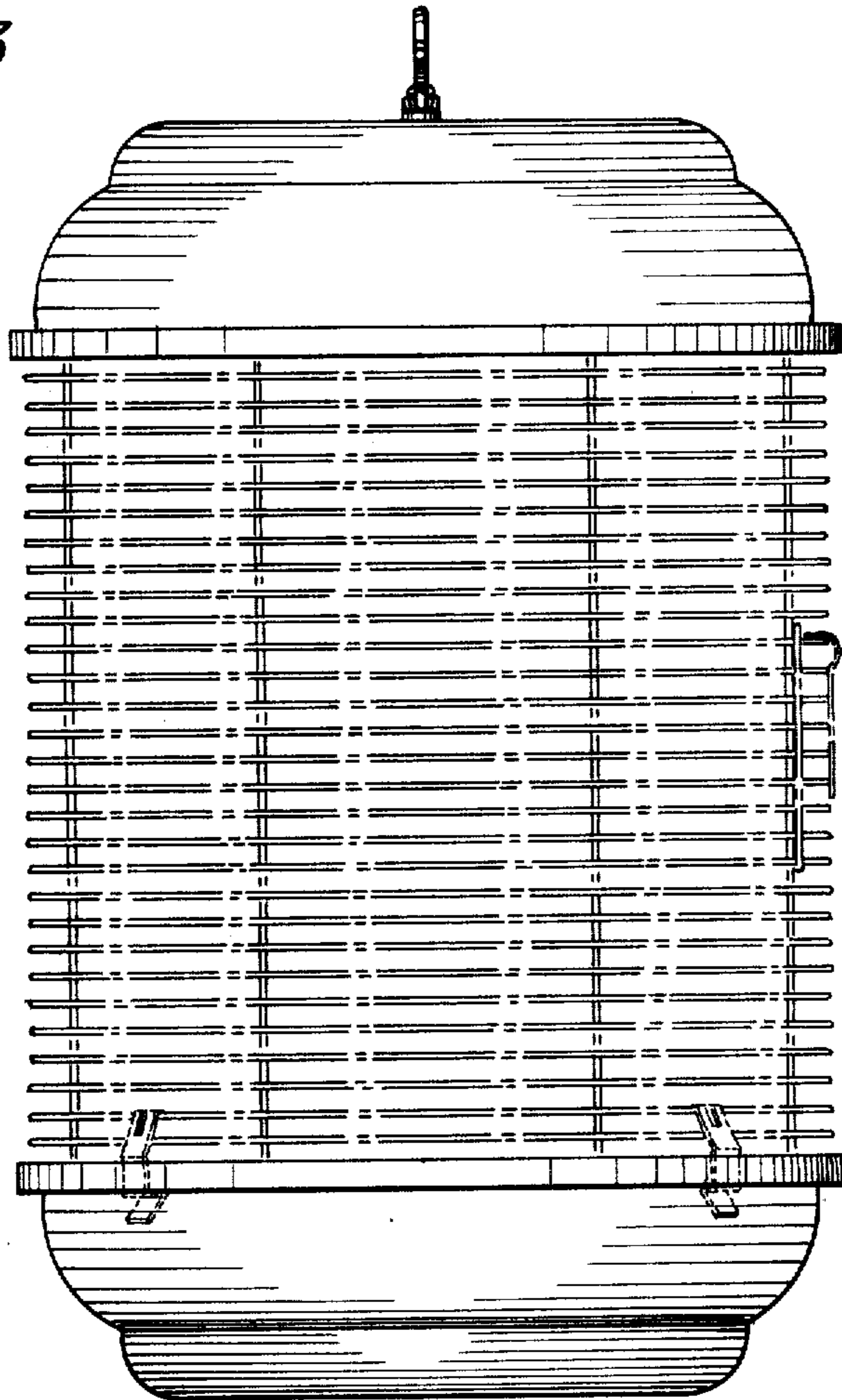
*Fig. 1*



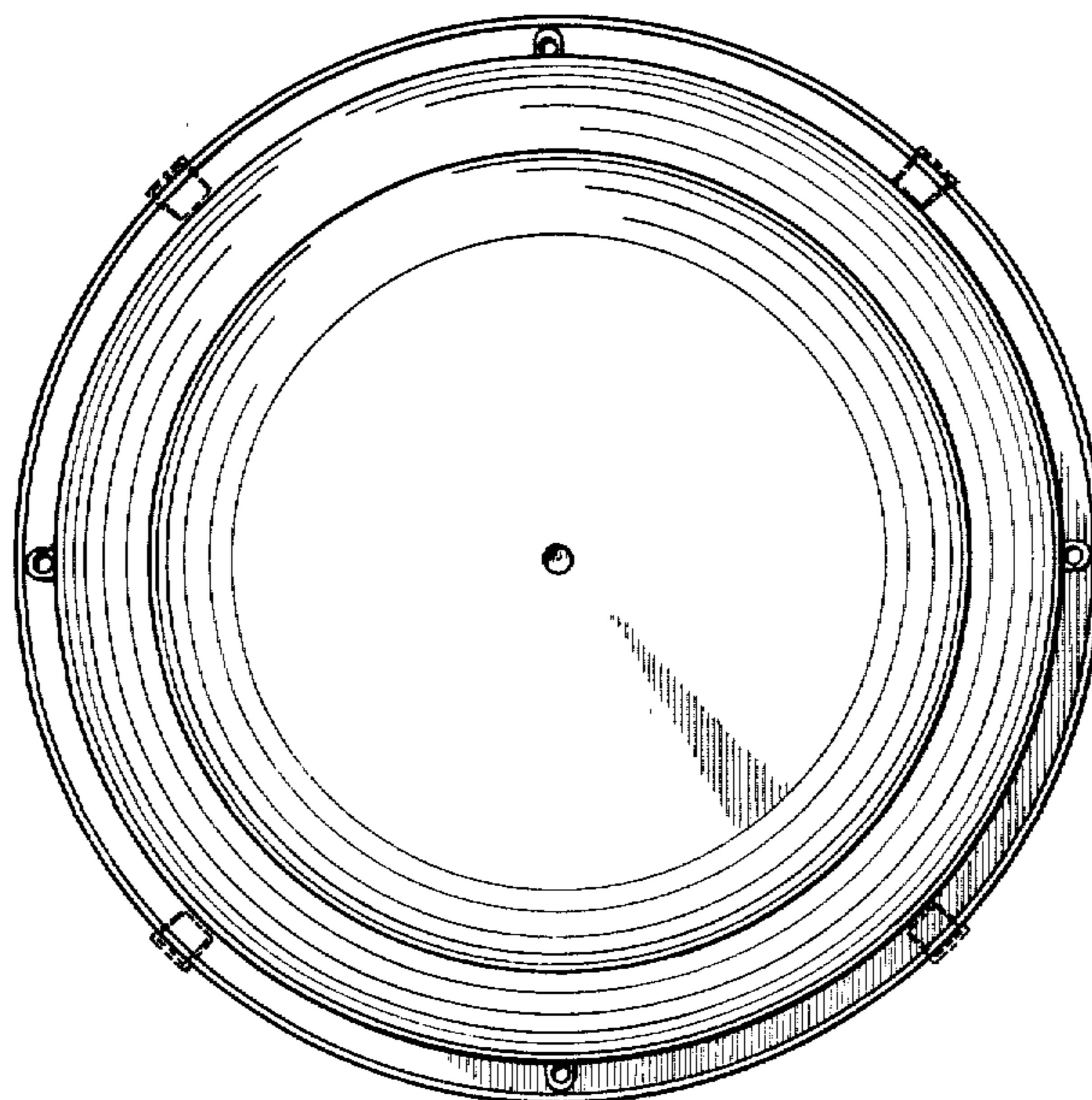
*Fig. 2*



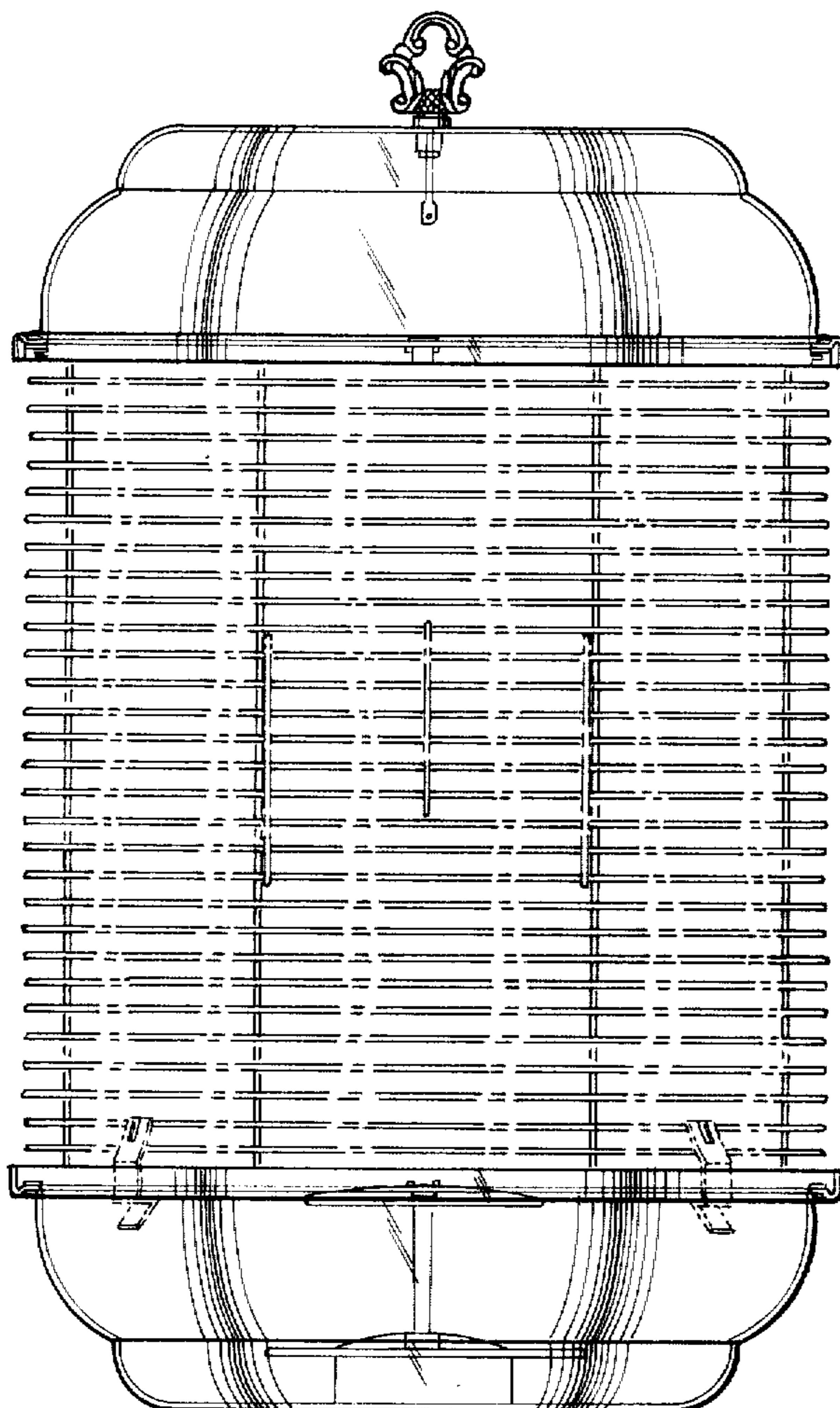
*Fig. 3*



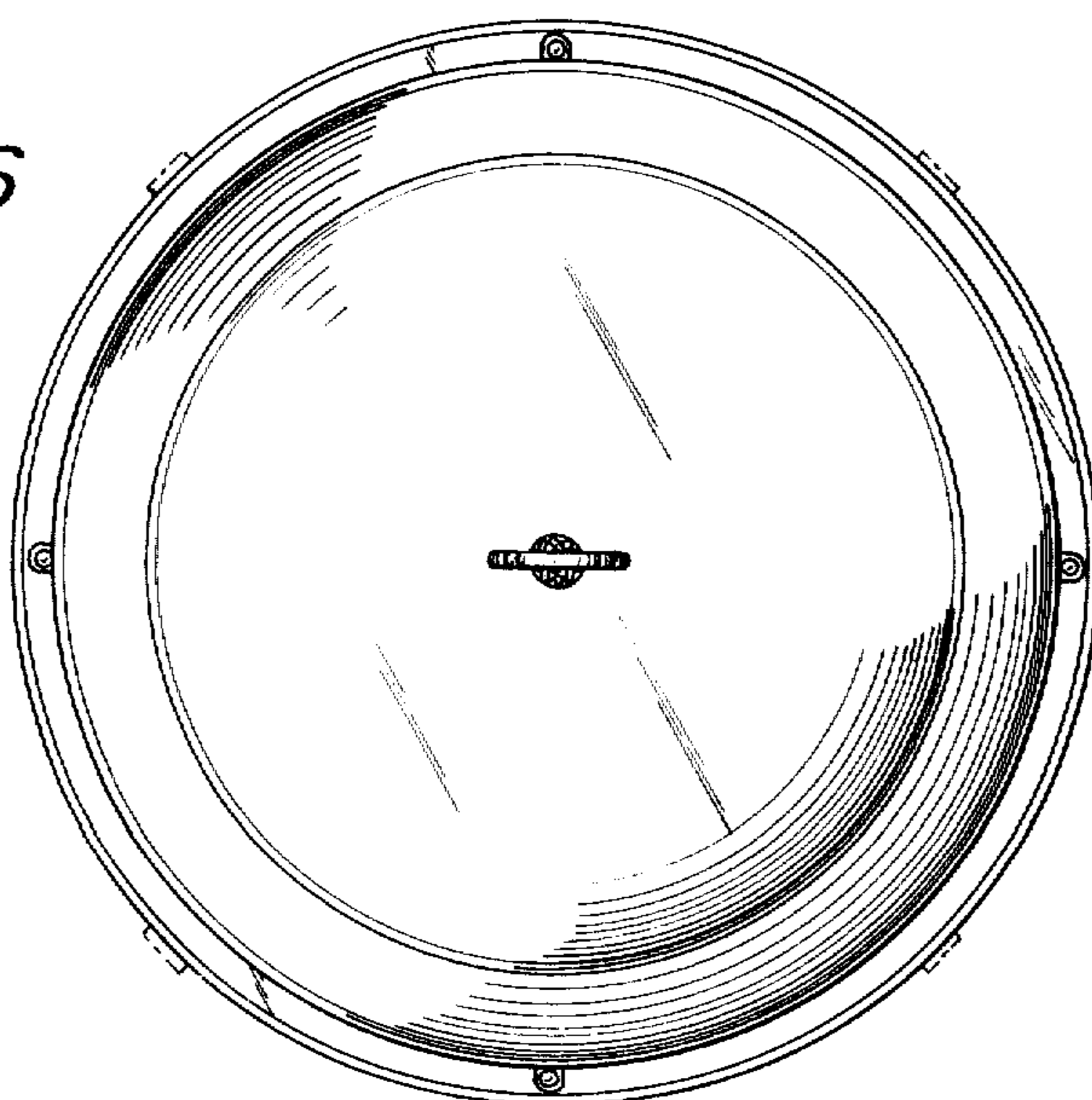
*Fig. 4*



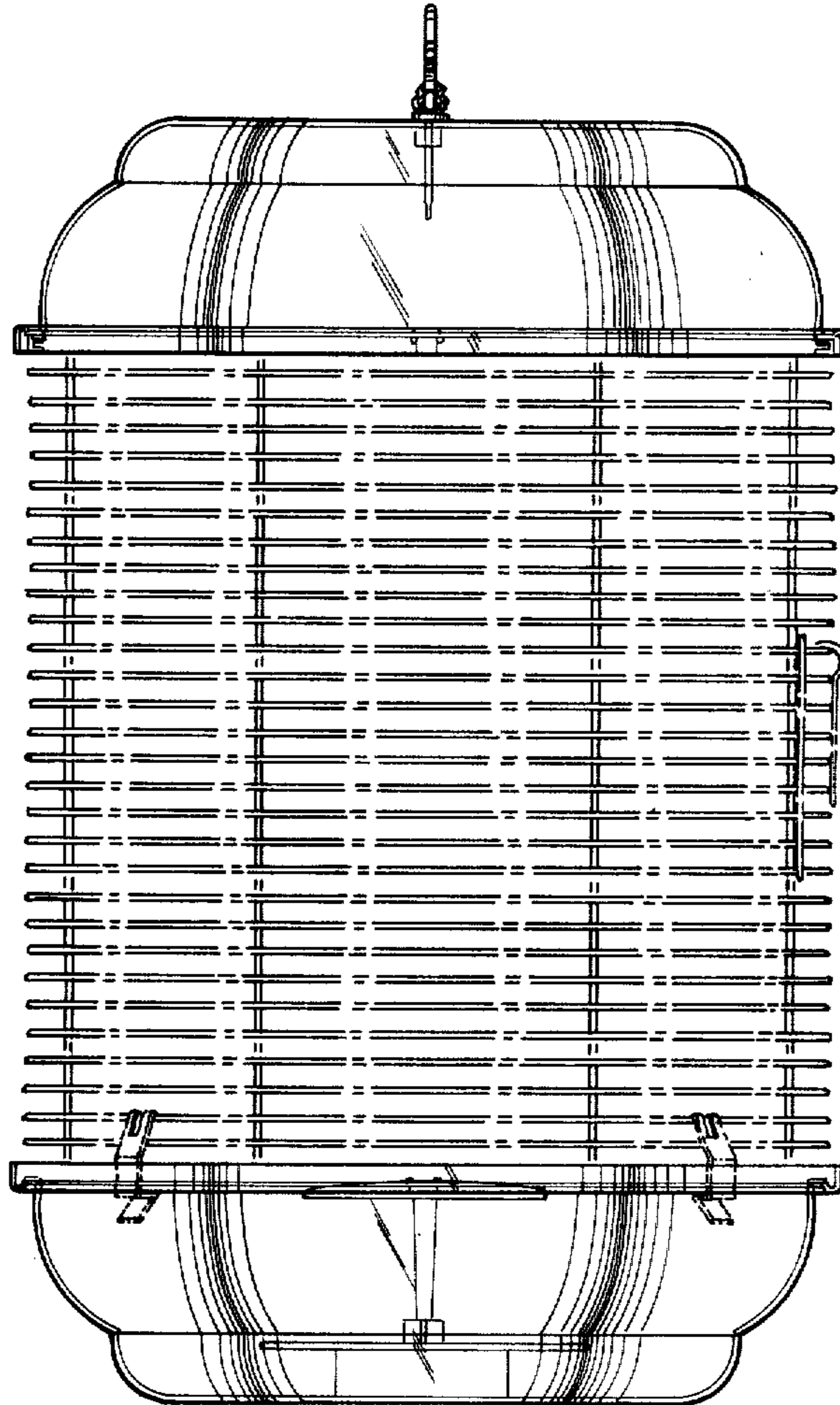
*Fig. 5*



*Fig. 6*



*Fig. 7*



*Fig. 8*

