

[54] WALL BRUSH

[76] Inventor: Stephen W. Walsh, Jr., 26 Kienia Rd. R.R. 3, Hudson, N.H. 03051

[\*\*] Term: 14 Years

[21] Appl. No.: 101,622

[22] Filed: Dec. 10, 1979

Related U.S. Application Data

[63] Continuation-in-part of Ser. No. 910,641, May 30, 1978, abandoned.

[51] Int. Cl. .... D4-02  
[52] U.S. Cl. .... D28/63; D4/13  
[58] Field of Search .... D4/1-38; D7/161, 178, 188; D24/36; 15/110, 159 R, 159 A, 160; D23/69, 71; D28/63

[56] References Cited

U.S. PATENT DOCUMENTS

D. 250,205	11/1978	Wilson et al. ....	D4/17 X
585,086	6/1897	Cox .....	15/159 R X
1,954,940	4/1934	Mikel .....	15/160 UX
3,040,337	6/1962	Ijelstad .....	D28/63 X
3,631,560	1/1972	Atkins .....	15/160 UX

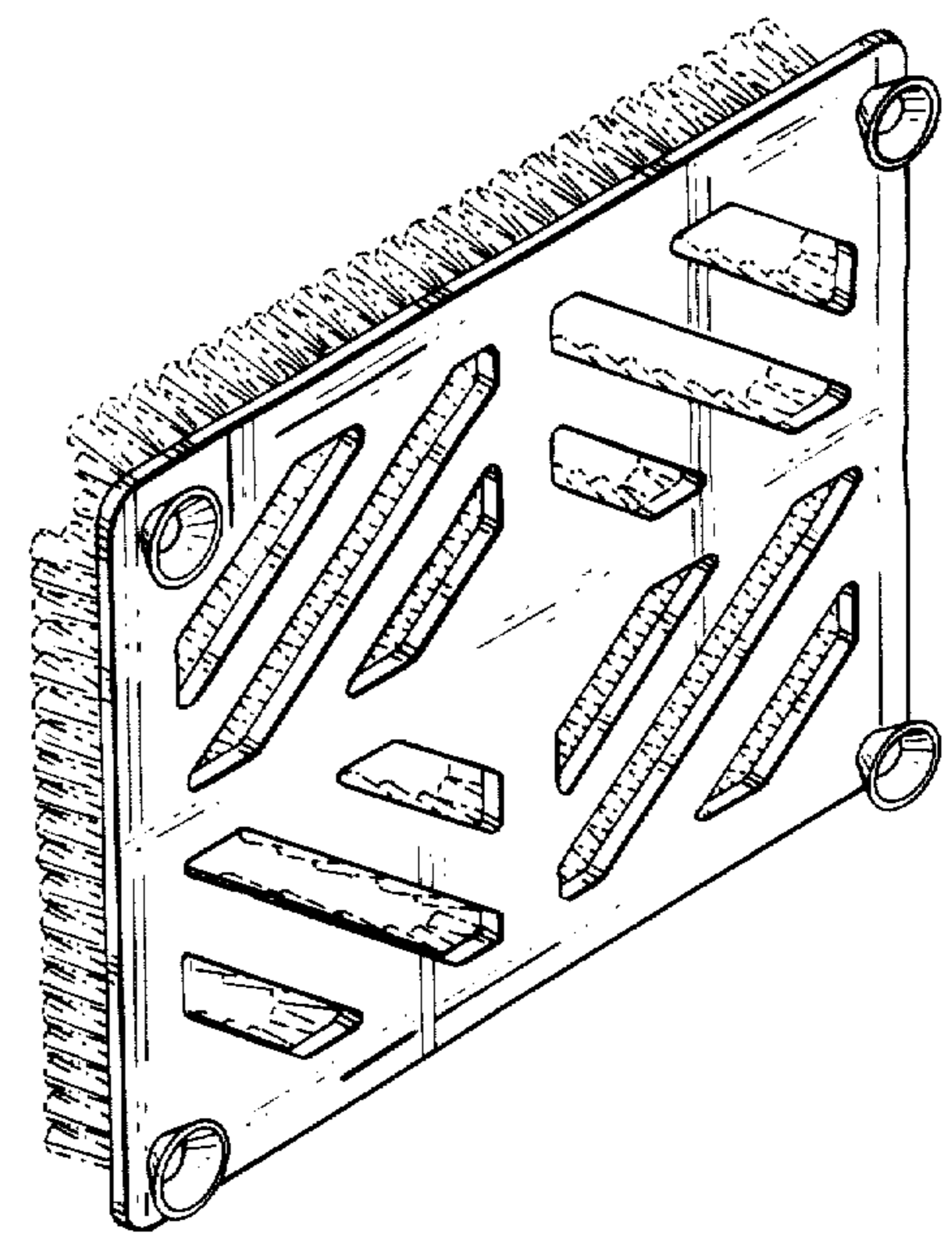
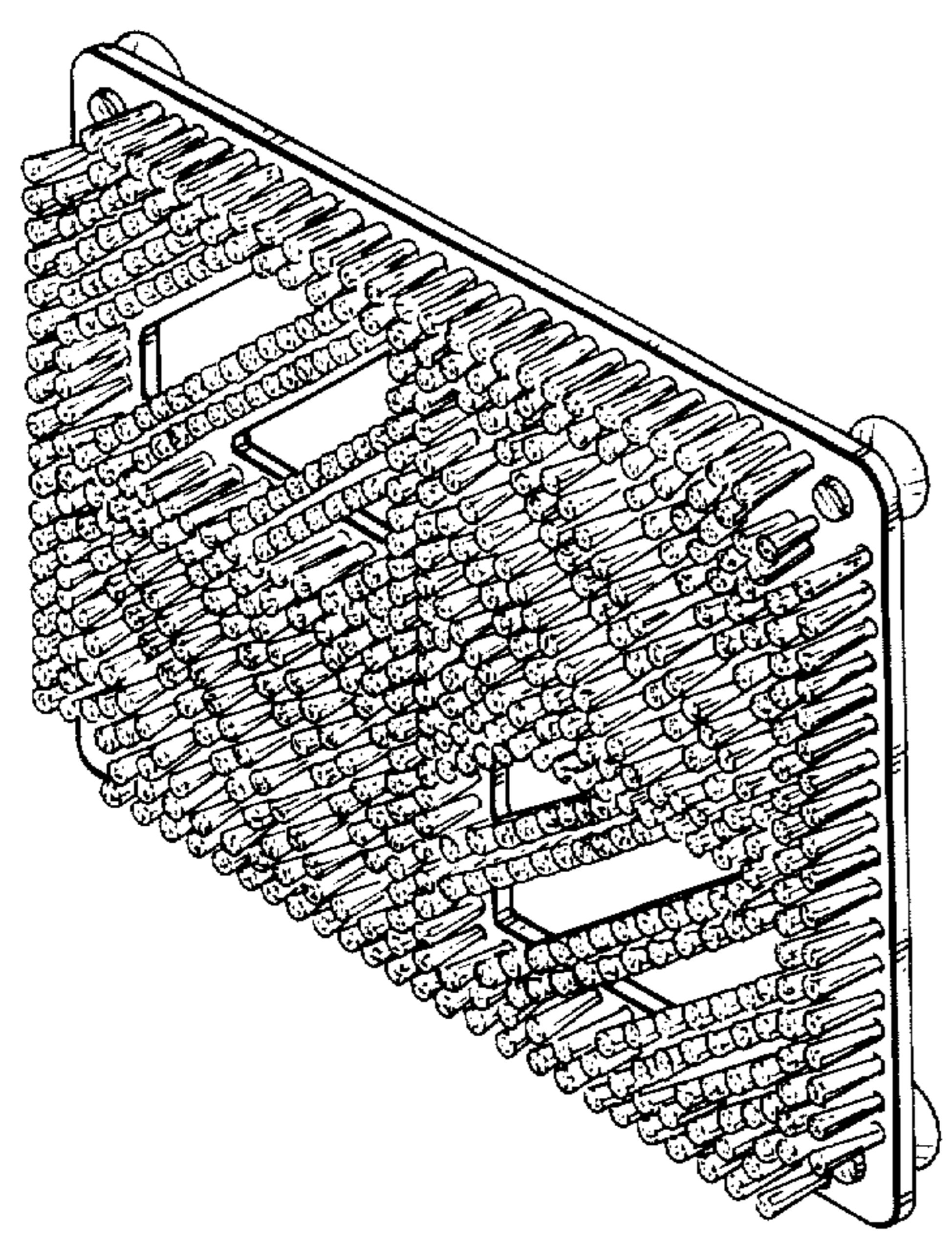
Primary Examiner—Catherine E. Kemper  
Attorney, Agent, or Firm—Kenneth J. Hovet

[57] CLAIM

The ornamental design for a wall brush, substantially as shown and described.

DESCRIPTION

FIG. 1 is a front perspective view of a wall brush showing my new design;  
FIG. 2 is a rear perspective view thereof;  
FIG. 3 is a top plan view thereof, shown on a larger scale;  
FIG. 4 is an end elevational view, the opposite end being identical thereto; and,  
FIG. 5 is a side elevational view, the opposite end being identical thereto.



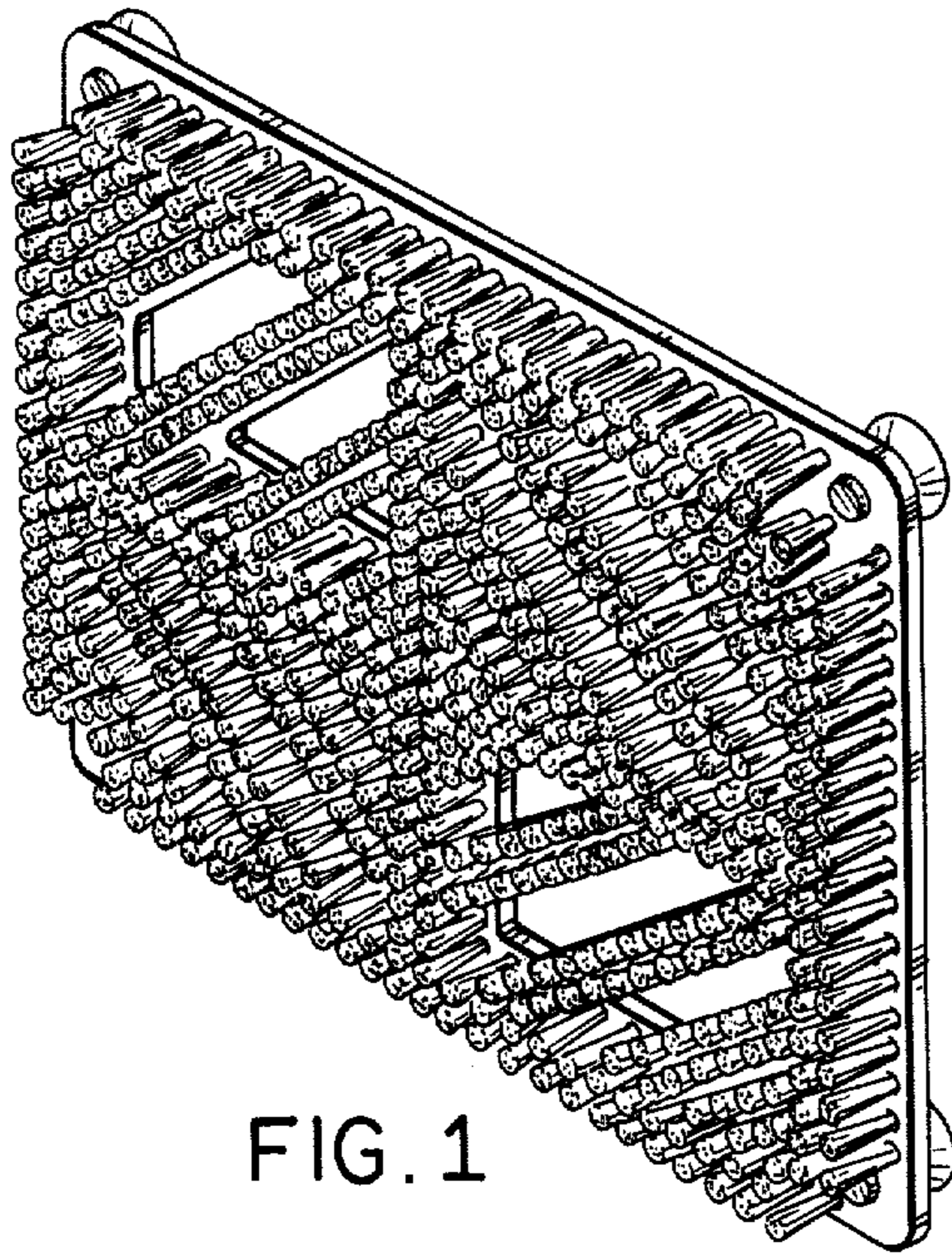


FIG. 1

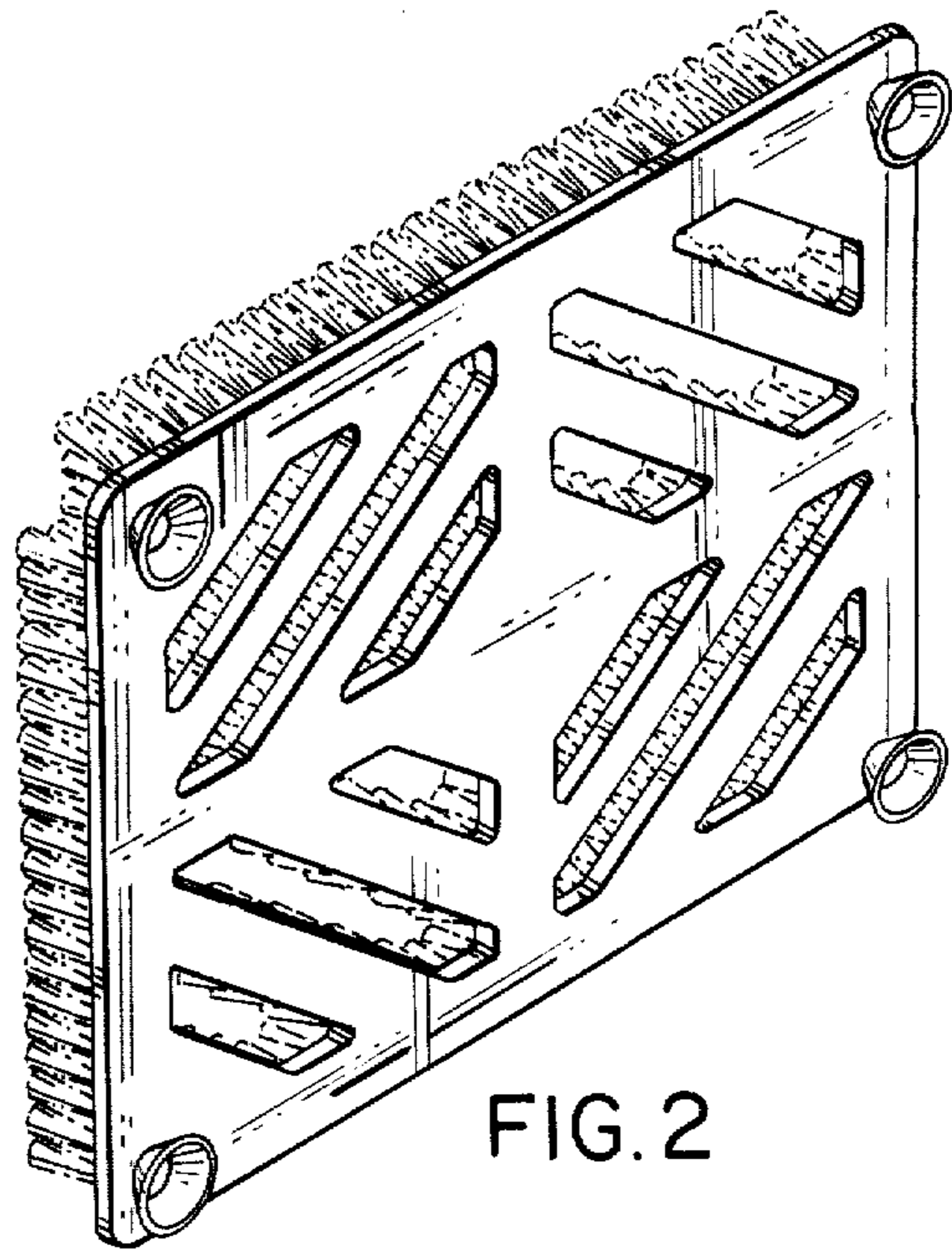


FIG. 2

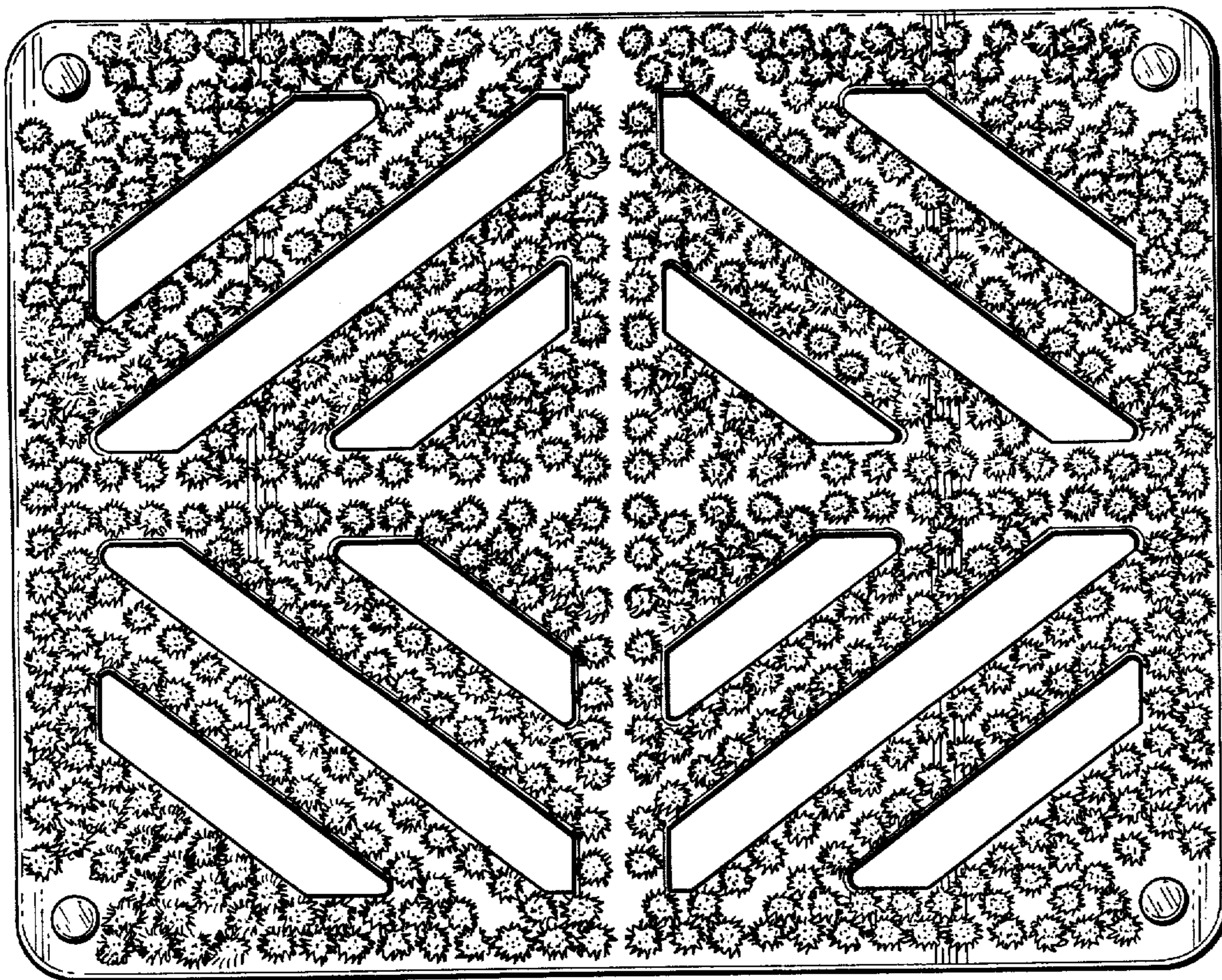


FIG. 3

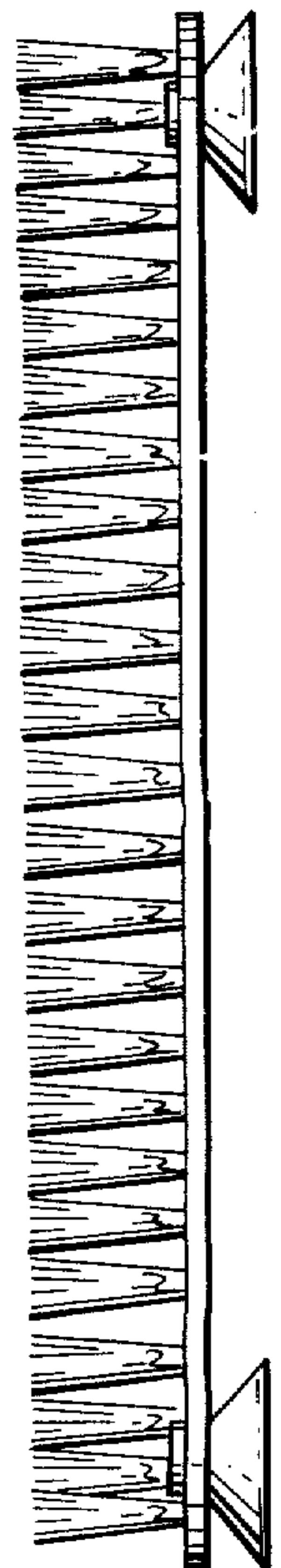


FIG. 4

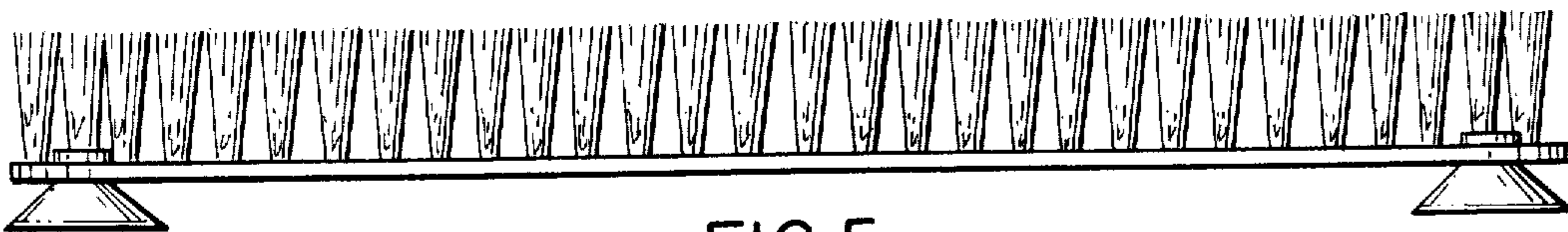


FIG. 5