

[54] HEADLIGHT

[75] Inventor: Pierre Catte, Sevres, France

[73] Assignee: Cibie Projecteurs, Bobigny, France

[**] Term: 14 Years

[21] Appl. No.: 57,144

[22] Filed: Jul. 12, 1979

[30] Foreign Application Priority Data

Jun. 1, 1979 [FR] France 79 42152

[51] Int. Cl. D26-06

[52] U.S. Cl. D26/29; D26/36

[58] Field of Search D26/28, 29, 35, 36, D26/120, 122, 123, 124; 362/61, 307, 310, 311, 362, 367, 375, 235, 240, 241, 242, 244, 245, 246, 427, 326, 329, 335-340

[56] References Cited

U.S. PATENT DOCUMENTS

D. 228,466	9/1973	Cibie	D26/29
D. 248,255	6/1978	Cibie	D26/36
D. 248,691	7/1978	Cibie	D26/36

OTHER PUBLICATIONS

Dietz Automotive Lighting Equipment Catalog #100, 1972, p. 9-1, Sealed Beam Lamp #9-520.

Primary Examiner—Susan J. Lucas
Attorney, Agent, or Firm—Alan H. Levine

[57] CLAIM

The ornamental design for a headlight, substantially as shown.

DESCRIPTION

FIG. 1 is a front elevational view of a headlight showing my new design;
FIG. 2 is a rear view thereof;
FIG. 3 is a side view thereof;
FIG. 4 is top view thereof; and
FIG. 5 is a bottom view thereof.

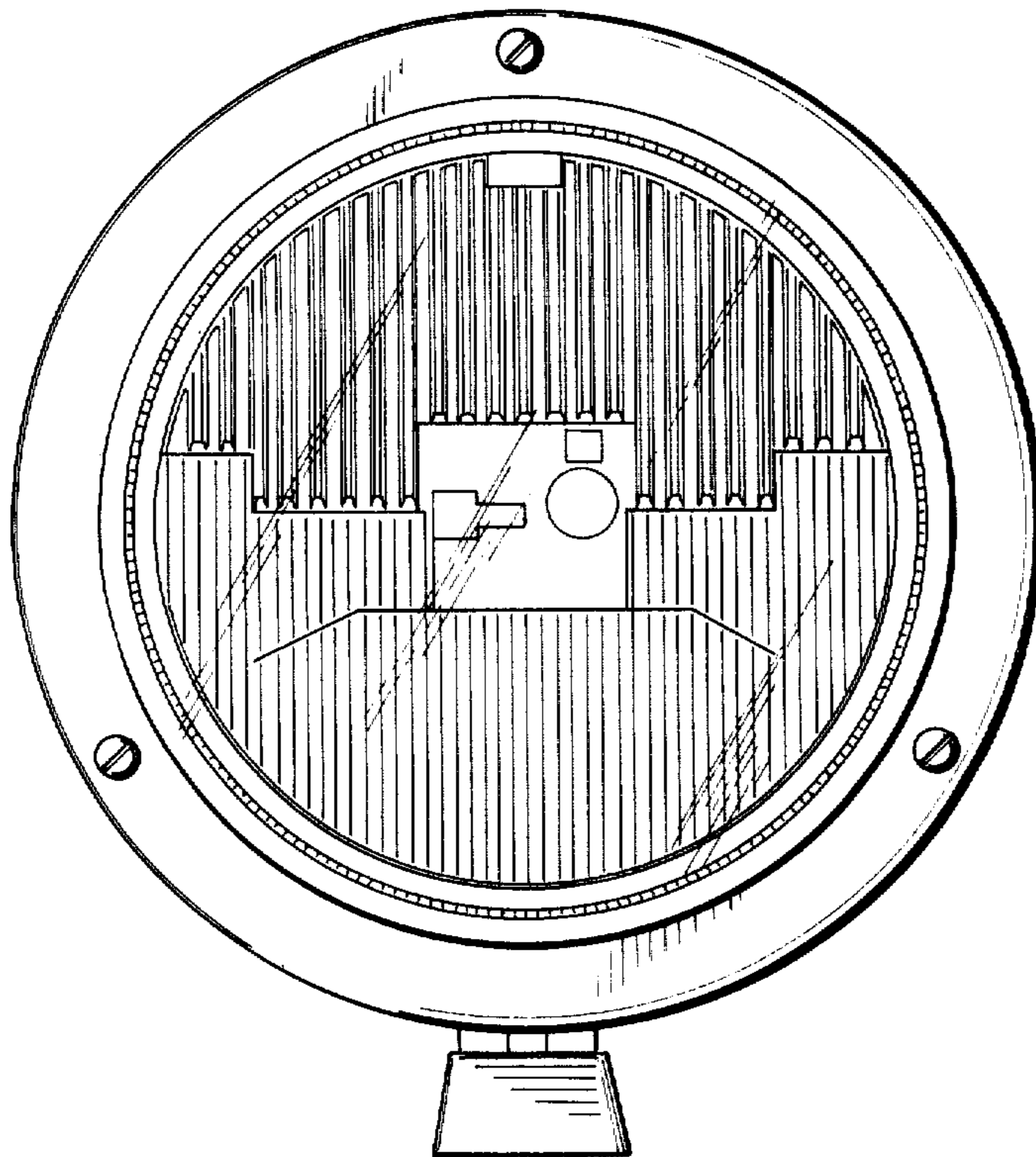


FIG. 2

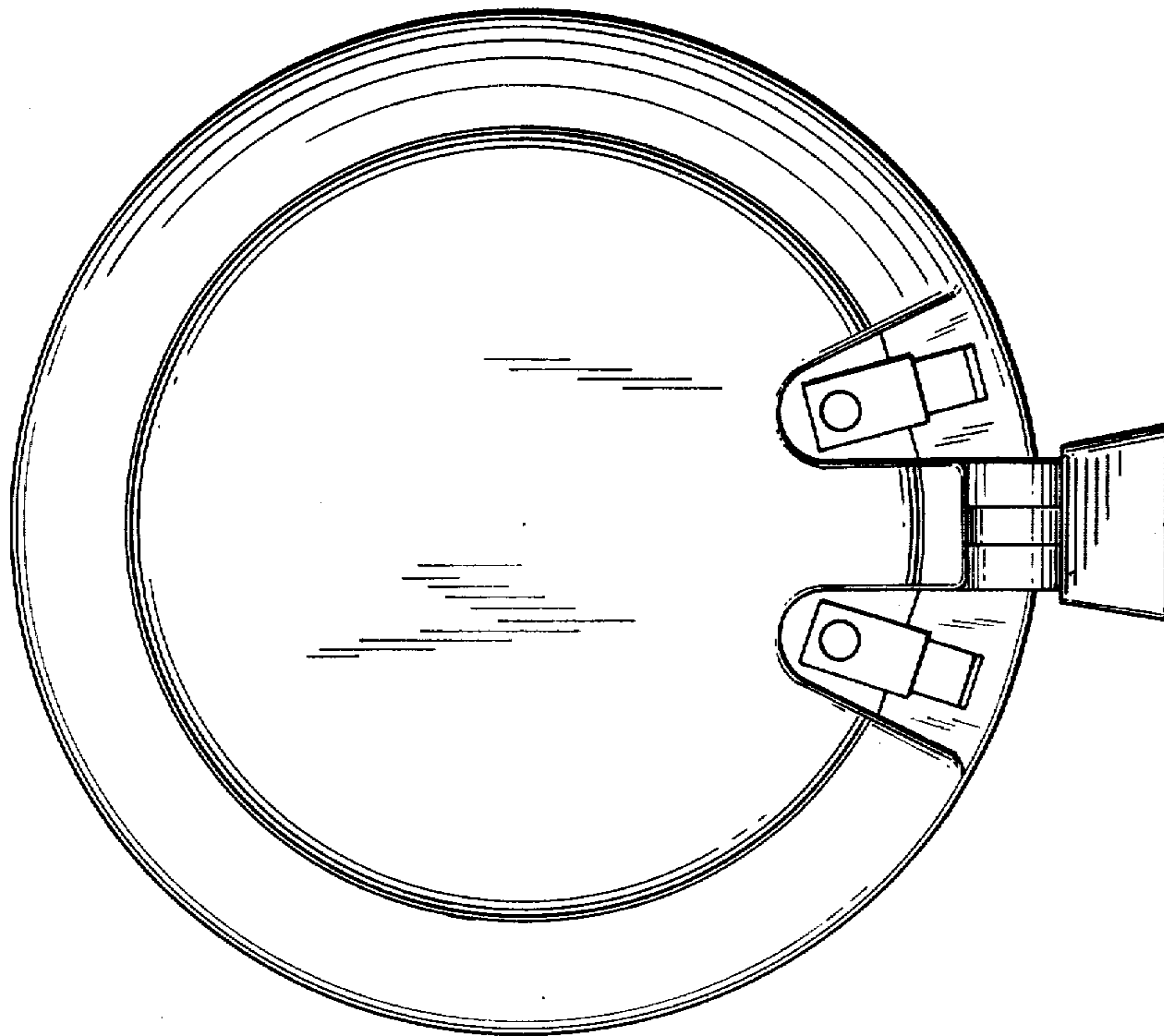


FIG. 1

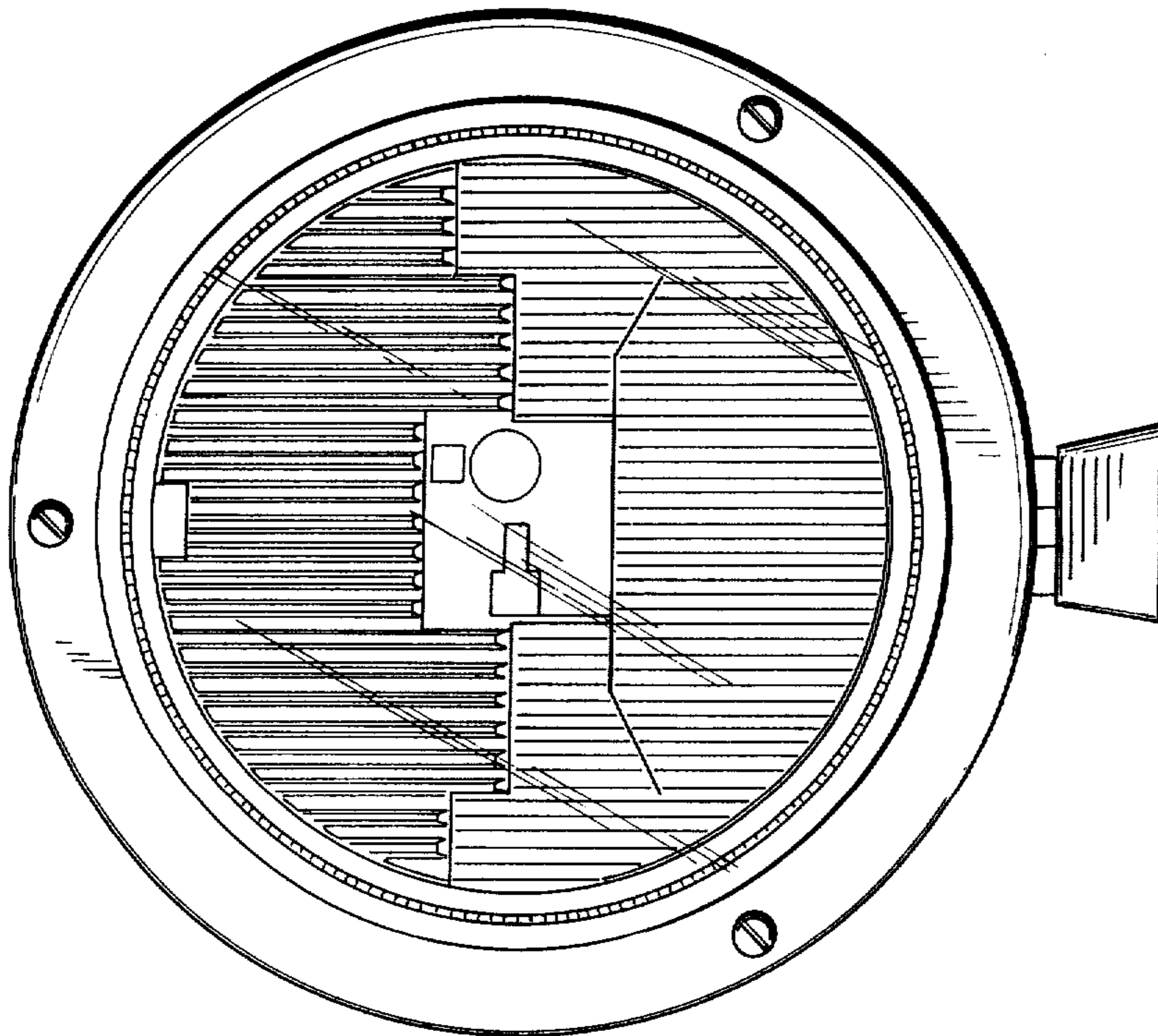


FIG. 3

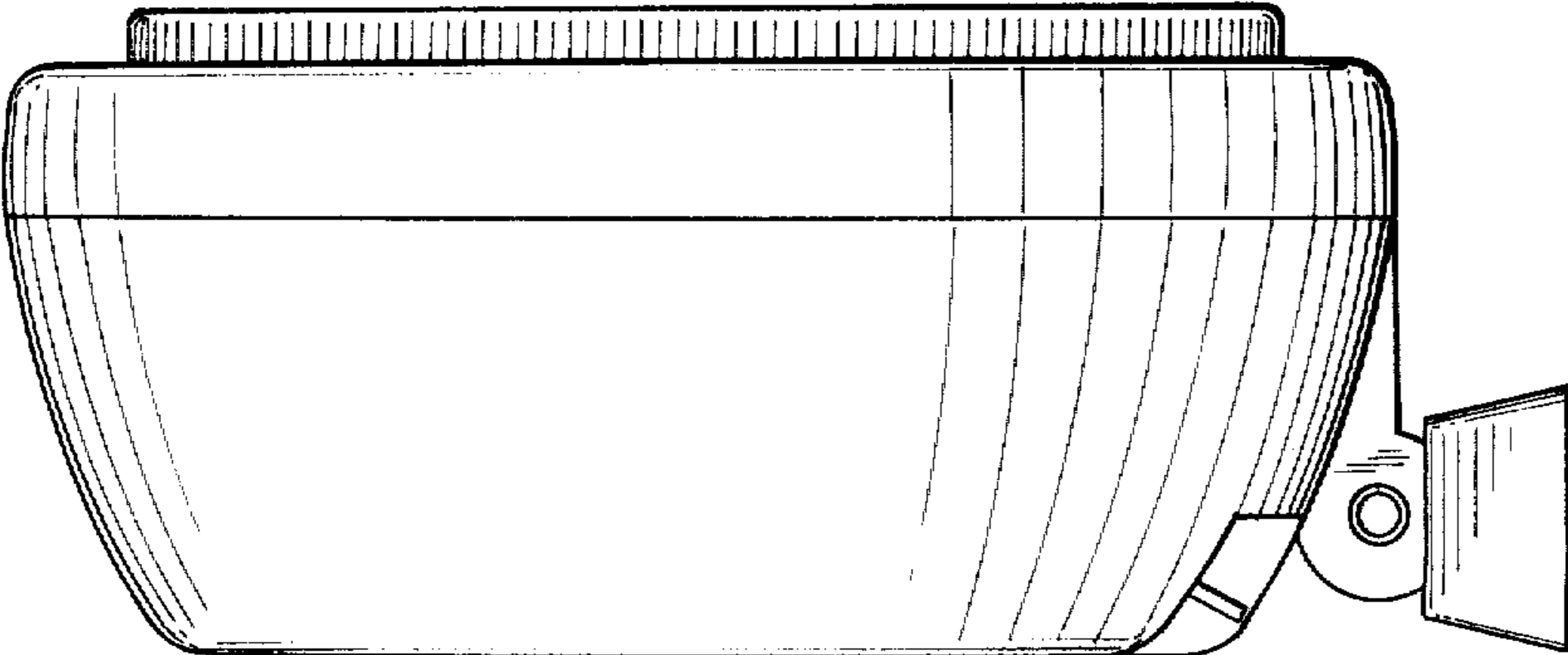


FIG. 4

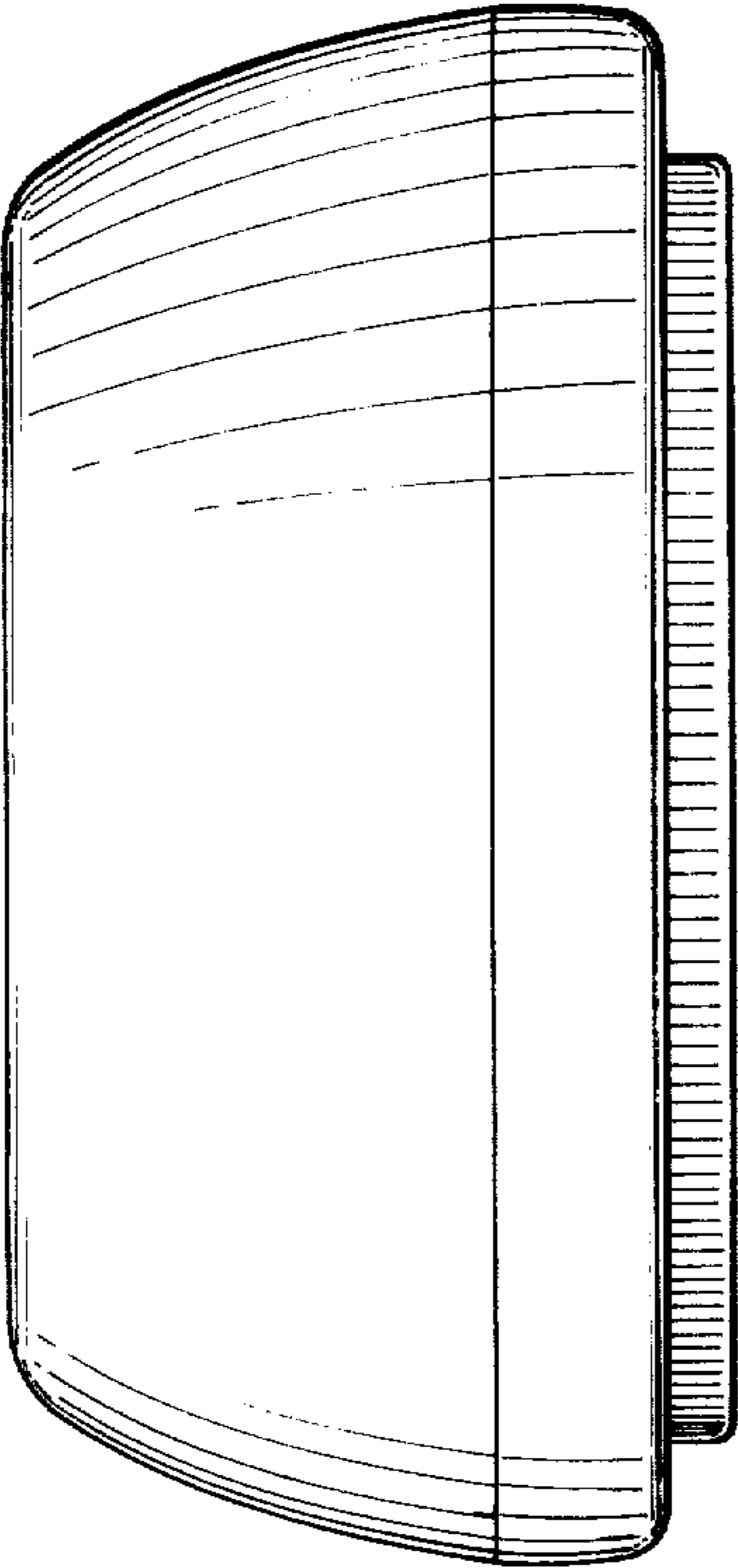


FIG. 5

