

[54] EXPANSION JOINT SEALING STRIP ASSEMBLY FOR ROADWAYS JOINTS

[75] Inventor: William E. Bowman, Englewood, Colo.

[73] Assignee: Bowman Construction Supply, Inc., Denver, Colo.

[**] Term: 14 Years

[21] Appl. No.: 98,809

[22] Filed: Nov. 30, 1979

[51] Int. Cl. D25-01
[52] U.S. Cl. D25/74
[58] Field of Search D25/73, 74; 404/64, 404/65, 68, 69; 52/573

[56] References Cited

U.S. PATENT DOCUMENTS

3,722,379 3/1973 Koester 404/68
3,888,599 6/1975 Reifsnyder 404/69

Primary Examiner—A. Hugo Word
Attorney, Agent, or Firm—Mason, Fenwick & Lawrence

[57] CLAIM

The ornamental design for an expansion joint sealing strip assembly for roadway joints, as shown and described.

DESCRIPTION

FIG. 1 is a perspective view of an expansion joint sealing strip assembly for roadway joints, showing my new design;
FIG. 2 is an end elevation view thereof viewed from one end, the opposite end elevation being the same;
FIG. 3 is a side elevation view thereof, the opposite side elevation being the same;
FIG. 4 is a top plan view thereof; and
FIG. 5 is a bottom view thereof.

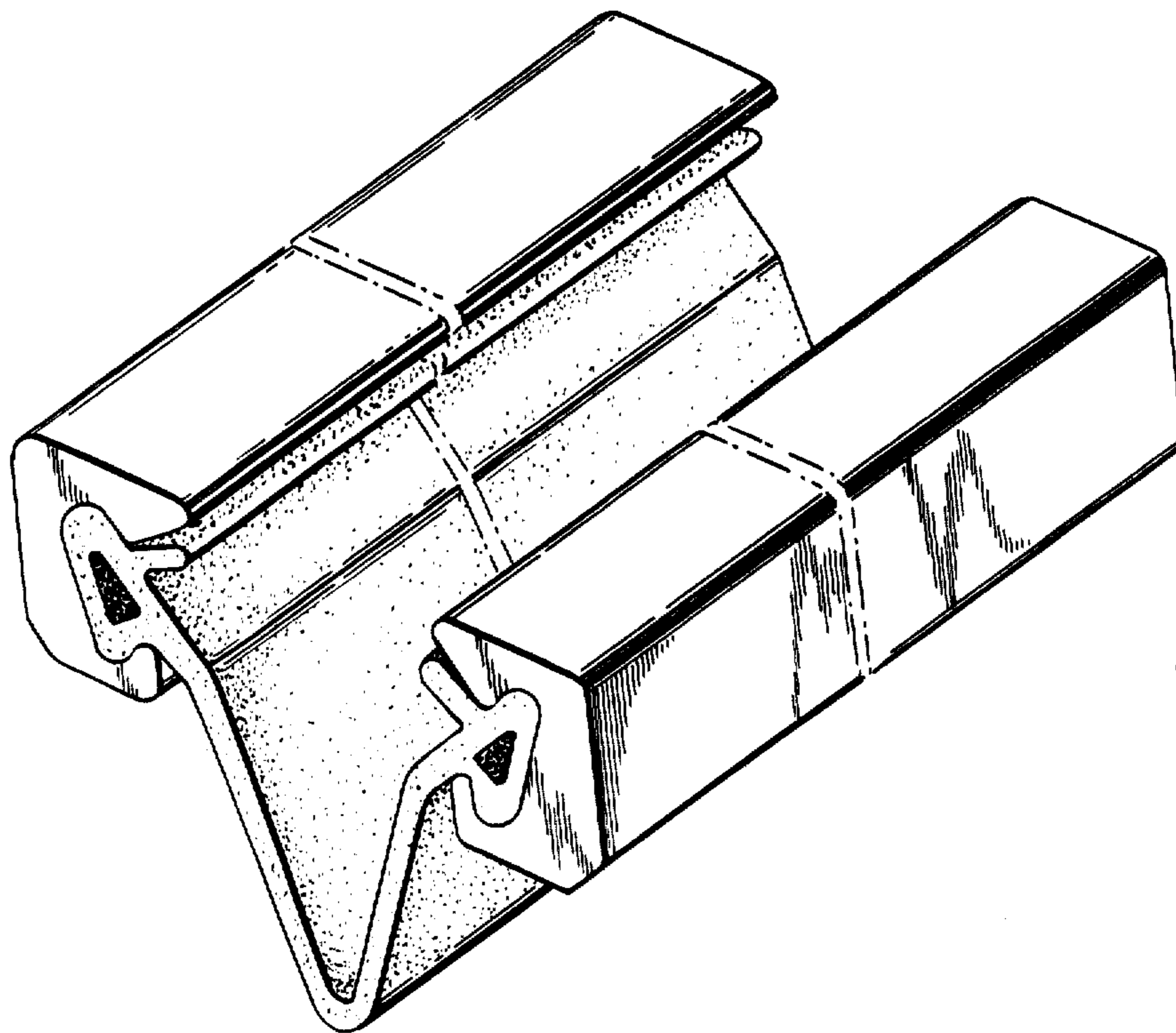


Fig-1

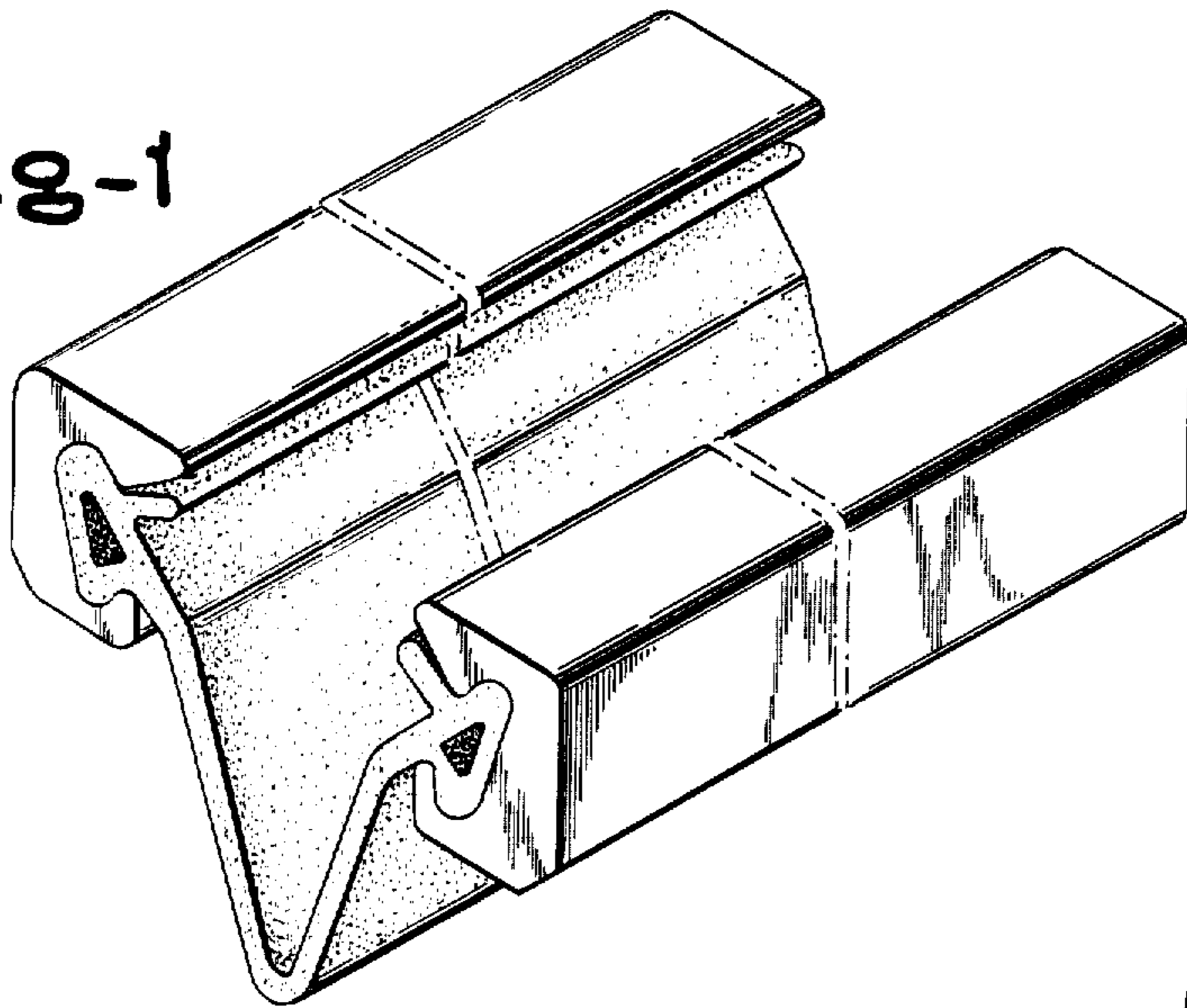


Fig-2

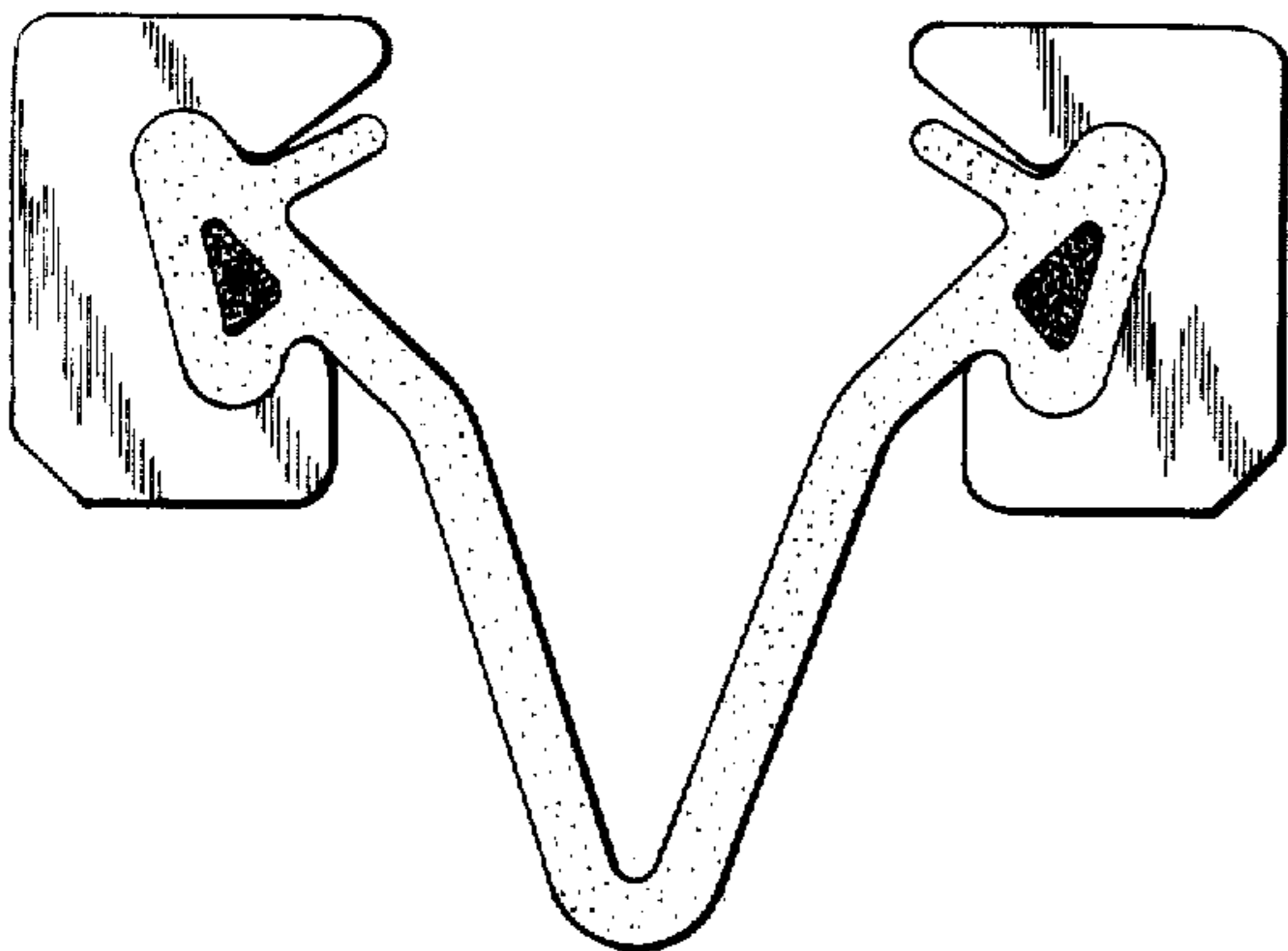


Fig-3

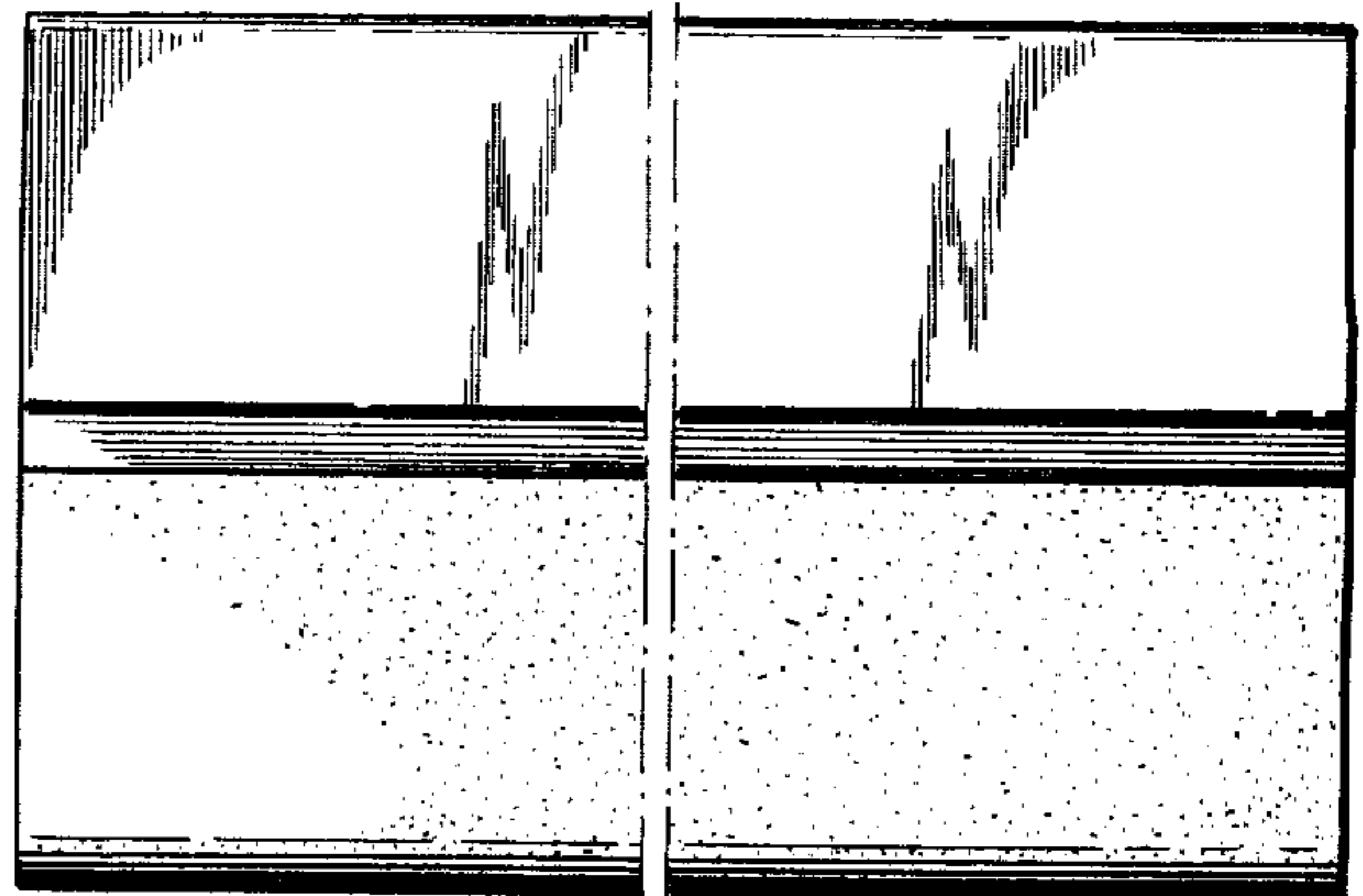


Fig-4

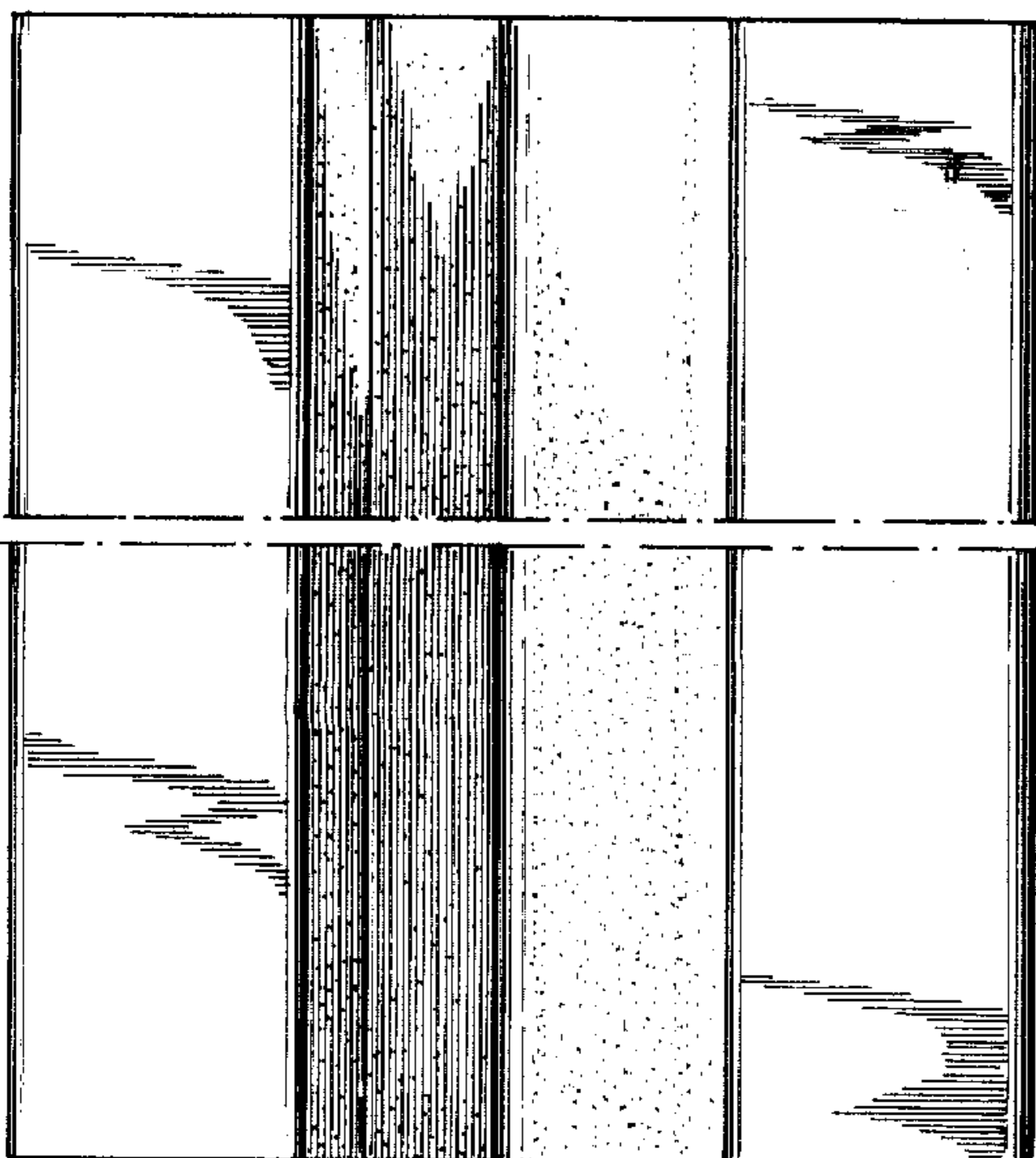


Fig-5

