

[54] VIBRATING MASSAGING MASK

2,882,892 4/1959 Kosior 128/24 R

[76] Inventor: An C. Wu, No. 118-3, Hsin-Yi Rd.,
Section 3, Taipei, Taiwan

Primary Examiner—Sam Rosen

[**] Term: 14 Years

[57] CLAIM

[21] Appl. No.: 874,839

The ornamental design for a vibrating massaging mask,
substantially as shown and described.

[22] Filed: Feb. 3, 1978

DESCRIPTION

[51] Int. Cl. D24—04

[52] U.S. Cl. D24/40; D24/36

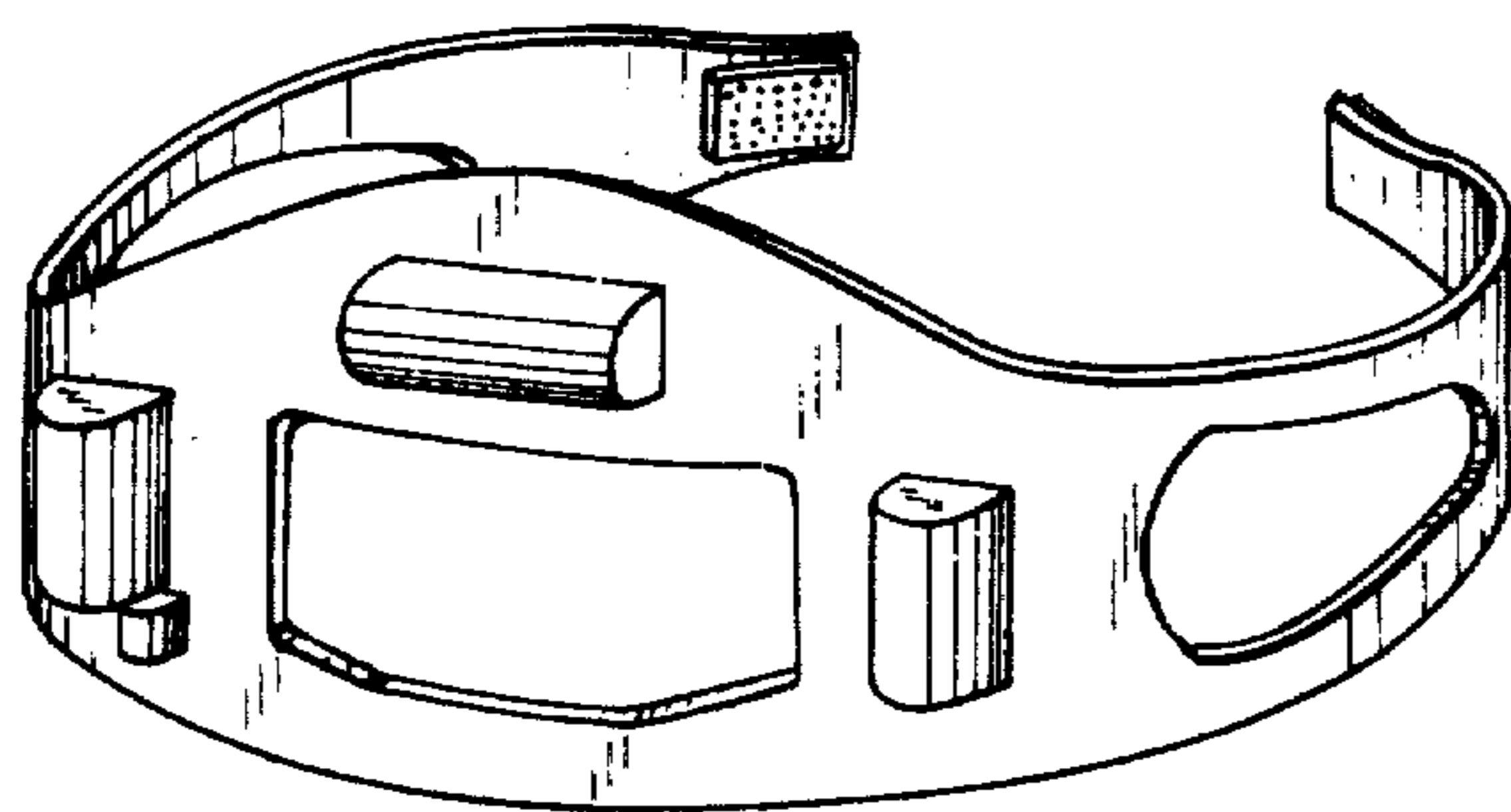
[58] Field of Search 128/24 R, 25 R, 25 A,
128/63, 32, 163; D24/36, 40

FIG. 1 is a front perspective view of a vibrating massaging mask showing my new design;
FIG. 2 is a front view thereof shown in extended form with the broken lines depicting stitching;
FIG. 3 is a rear view thereof with the broken lines depicting stitching;
FIG. 4 is a top view thereof;
FIG. 5 is a bottom view thereof; and
FIG. 6 is a left side view of FIG. 2, the other side being similar except for showing the hook-like portion of the velcro.

[56] References Cited

U.S. PATENT DOCUMENTS

D. 235,789 7/1975 Eberhardt D24/36
692,303 2/1902 Kendall 128/163



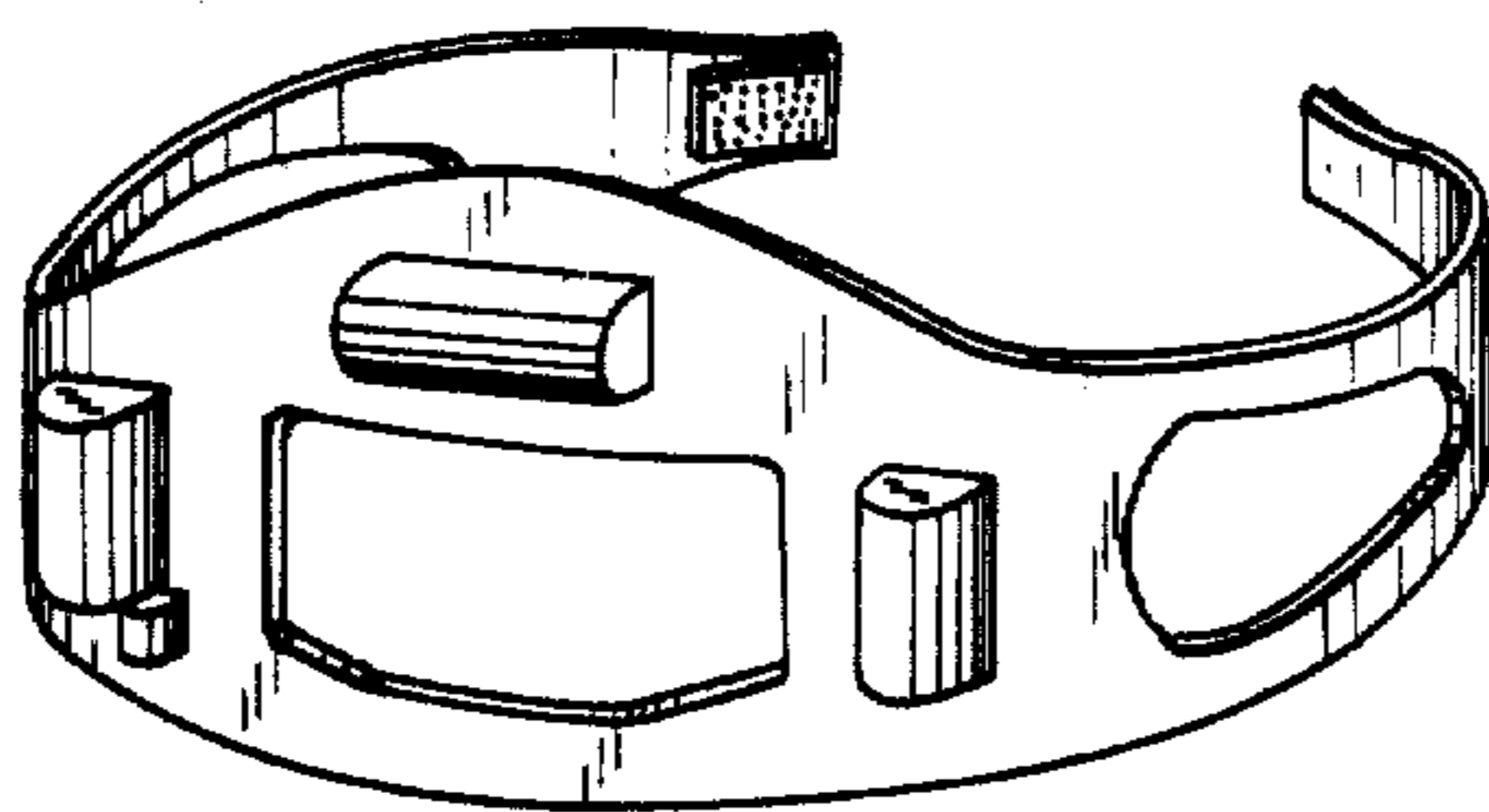


Fig. 1

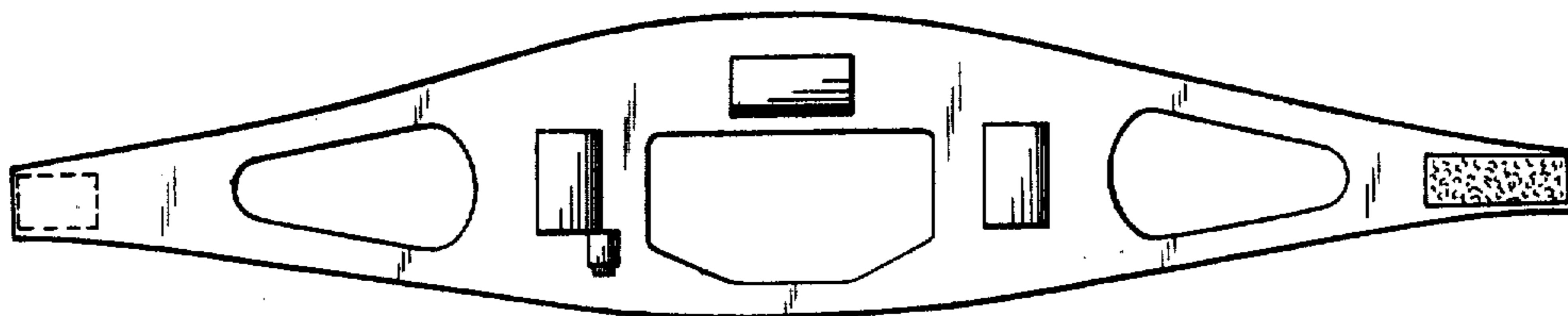


Fig. 2

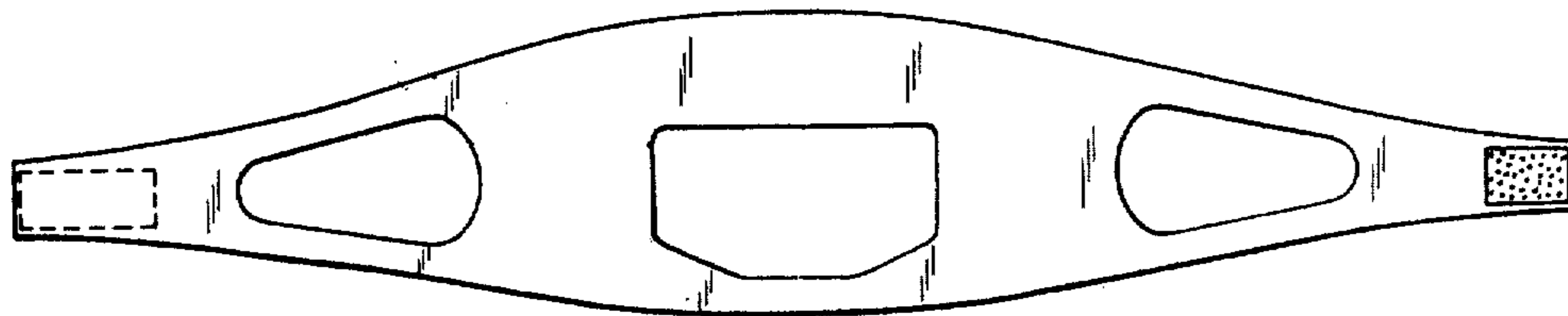


Fig. 3

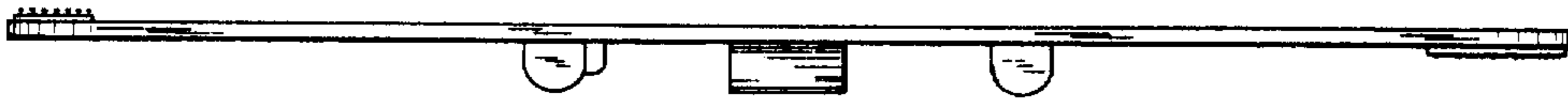


Fig. 4



Fig. 5



Fig. 6