

[54] POCKET GAME HOUSING

[75] Inventor: Masaki Mayuzumi, Tokyo, Japan

[73] Assignee: Tomy Kogyo Co., Inc., Tokyo, Japan

[**] Term: 14 Years

[21] Appl. No.: 75,129

[22] Filed: Sep. 13, 1979

[30] Foreign Application Priority Data

Mar. 19, 1979 [JP] Japan 54-10845

[51] Int. Cl. D21-01

[52] U.S. Cl. D21/10

[58] Field of Search D21/9, 10, 7;
273/121 R, 126 R, 357

[56] References Cited

U.S. PATENT DOCUMENTS

D. 243,781 3/1977 Yamagata .

OTHER PUBLICATIONS

Tomy 1977 Cat., Pocket Games, bottom of single page.

Primary Examiner—Melvin B. Feifer

Attorney, Agent, or Firm—K. H. Boswell; Edward D. O'Brian

[57] CLAIM

The ornamental design for a pocket game housing, substantially as shown and described.

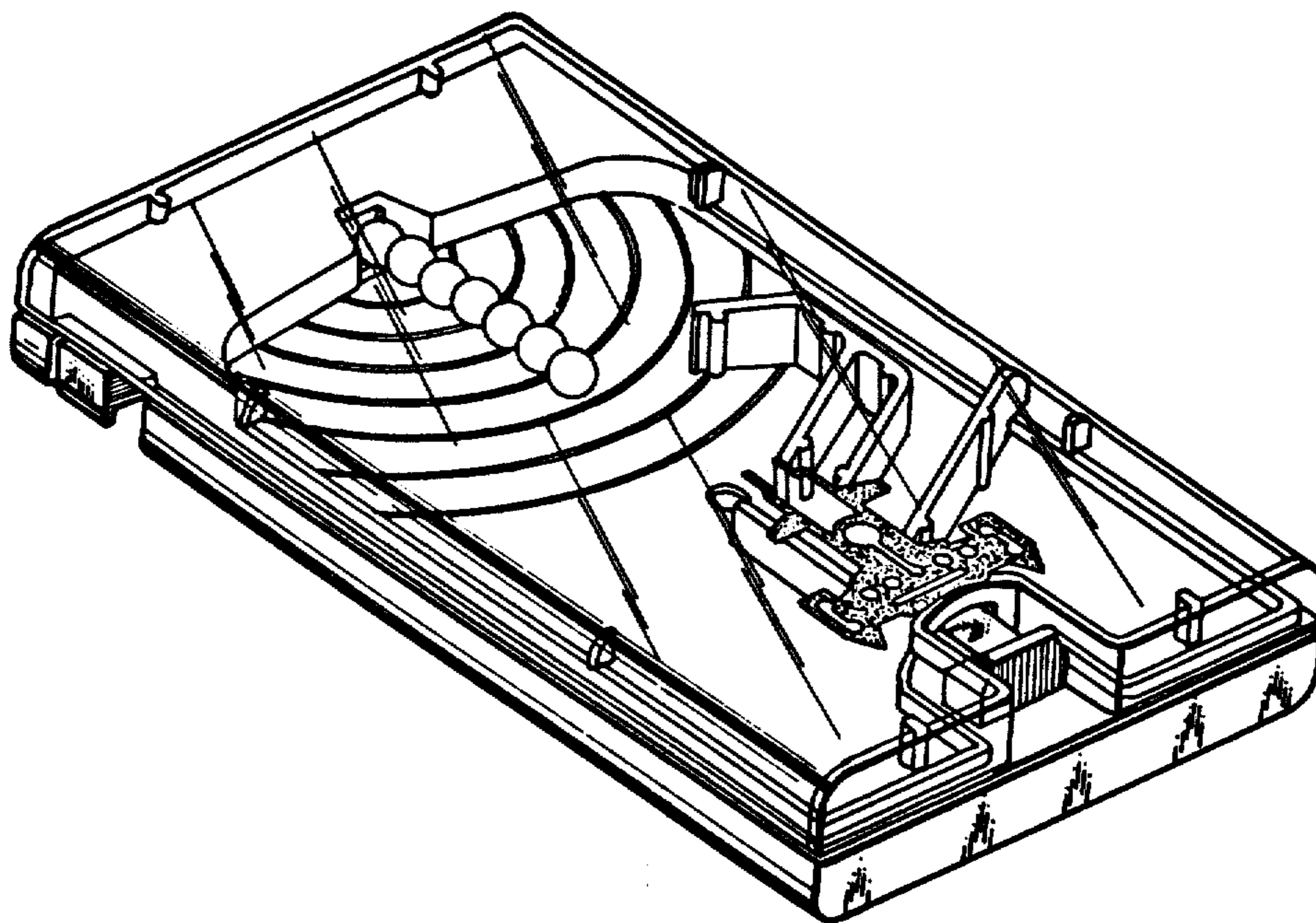
DESCRIPTION

FIG. 1 is an oblique view showing the front, the left side and the top of the pocket game housing showing my new design;

FIG. 2 is a rear elevational view thereof;

FIG. 3 is a side elevational view thereof illustrating the side which is not visible from FIG. 1; and

FIG. 4 is a bottom plan view thereof.



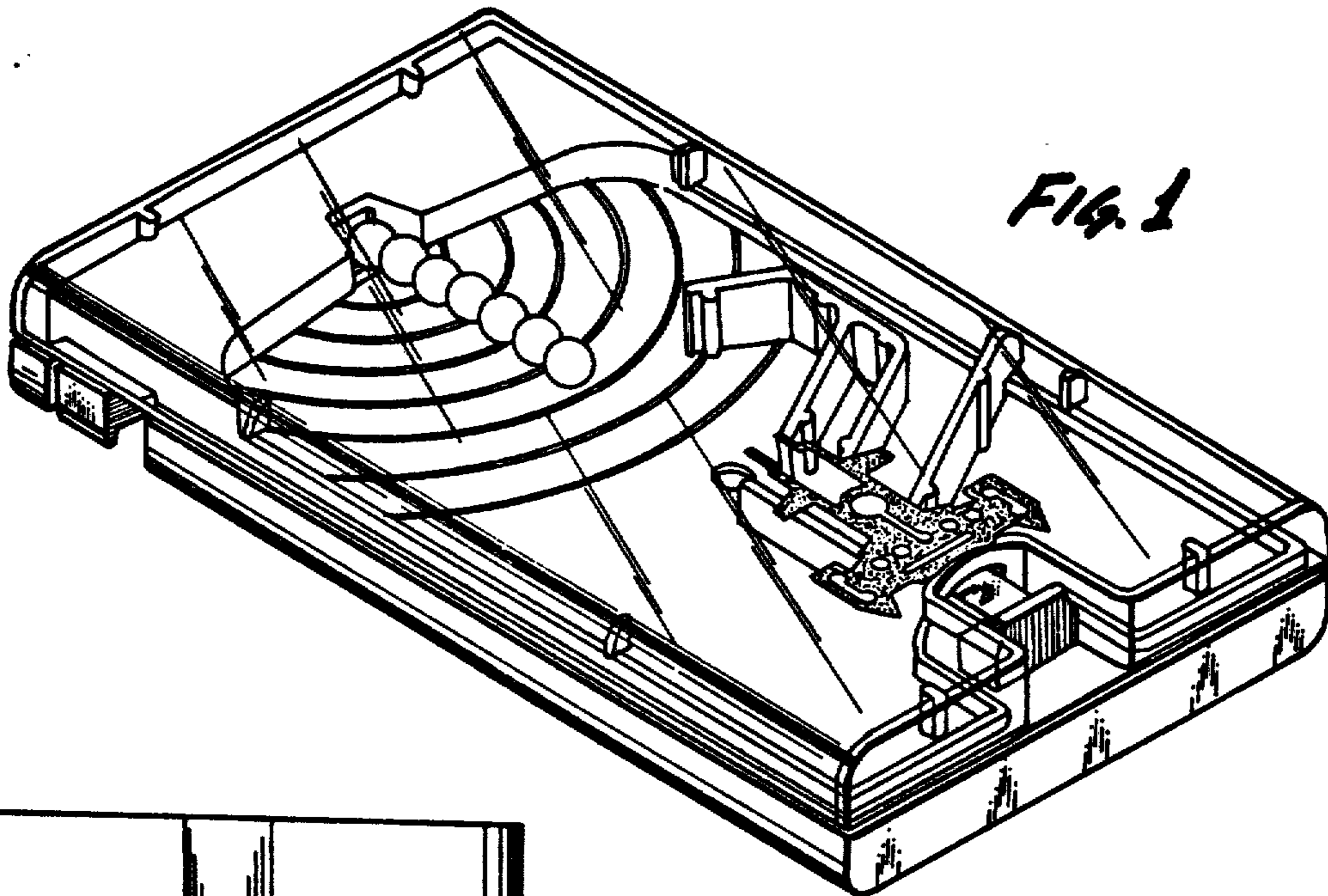


Fig. 1

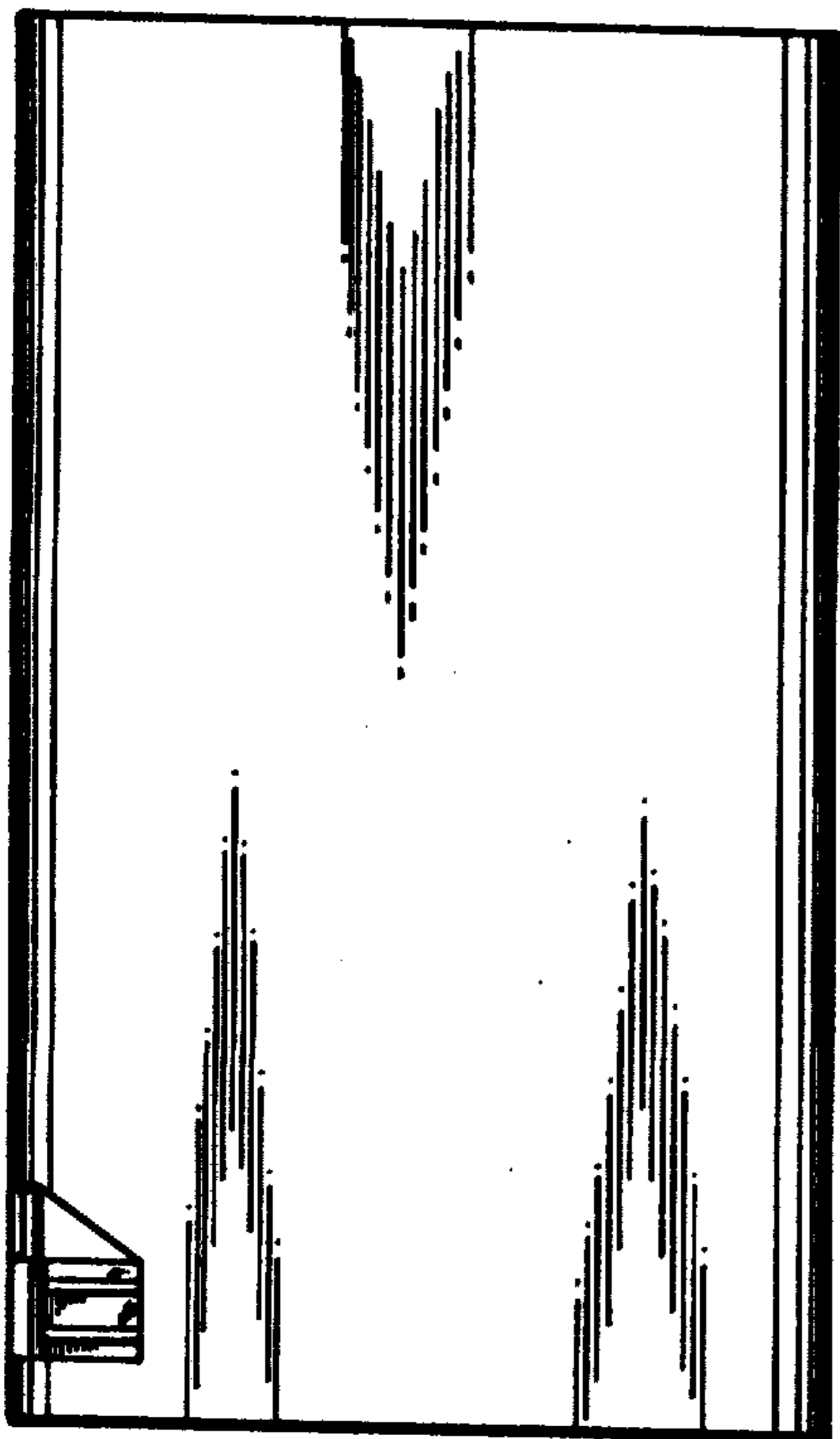


Fig. 4

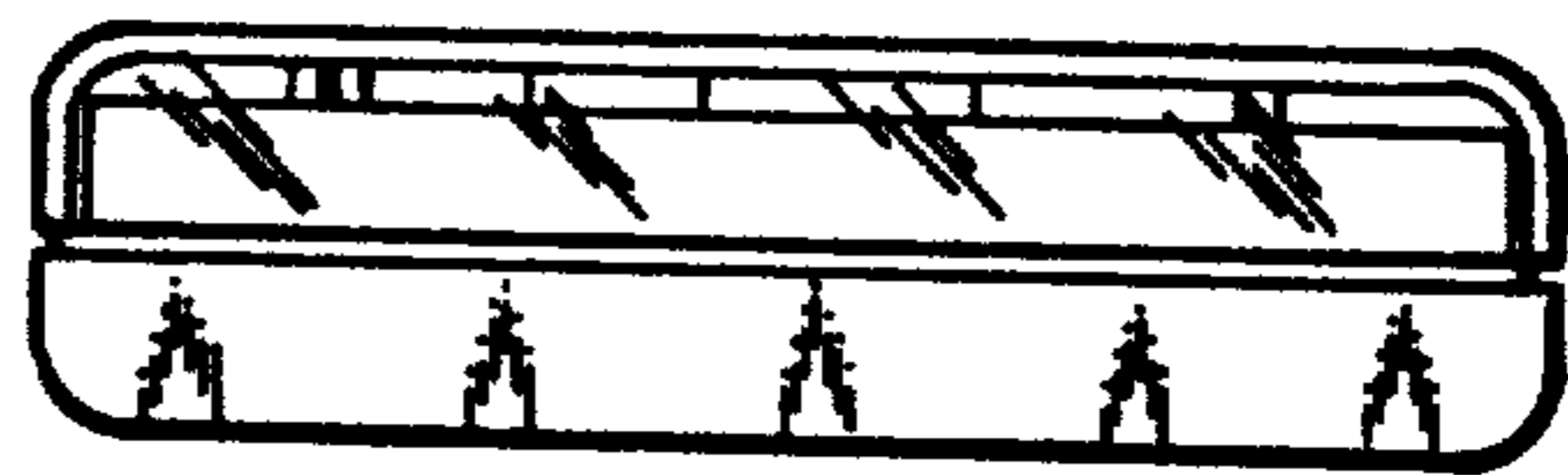


Fig. 2

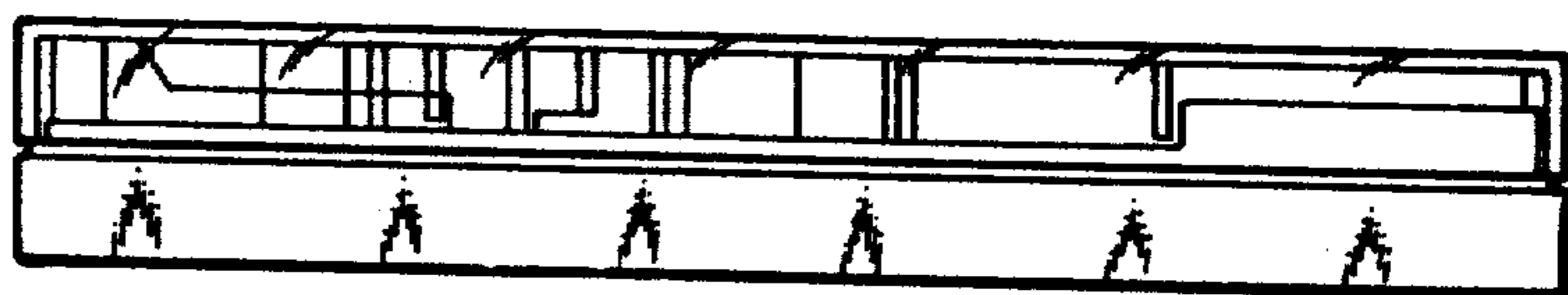


Fig. 3

UNITED STATES PATENT AND TRADEMARK OFFICE
CERTIFICATE OF CORRECTION

PATENT NO. : Des. 260,537
DATED : SEPTEMBER 1, 1981
INVENTOR(S) : MASAKI MAYUZUMI

It is certified that error appears in the above-identified patent and that said Letters Patent are hereby corrected as shown below:

On The Title Page:

The title of the patent should read --GAME HOUSING-- instead of "Pocket Game Housing".

Signed and Sealed this

Eighth Day of December 1981

[SEAL]

Attest:

GERALD J. MOSSINGHOFF

Attesting Officer

Commissioner of Patents and Trademarks