

[54] **CHANNEL DRILL AND BOLT COMBINATION**
 [76] **Inventor:** Will M. Lassiter, High Point, N.C.
 [**] **Term:** 14 Years
 [21] **Appl. No.:** 966,479
 [22] **Filed:** Dec. 4, 1978
 [51] **Int. Cl.** D15-09; D8-08
 [52] **U.S. Cl.** D15/139; D8/387; D8/388
 [58] **Field of Search** D8/387, 388, 393; D15/139; 408/199, 210, 229, 230, 226; 85/41, 47

3,739,682	6/1973	Siebol	85/41
3,739,682	6/1973	Siebol et al.	408/224
3,884,117	5/1975	Eager	408/226
3,982,464	9/1976	Sygnator	408/230
4,028,987	6/1977	Wilson	408/224
4,034,641	7/1977	Williams et al.	85/41

Primary Examiner—B. J. Bullock

[57] **CLAIM**

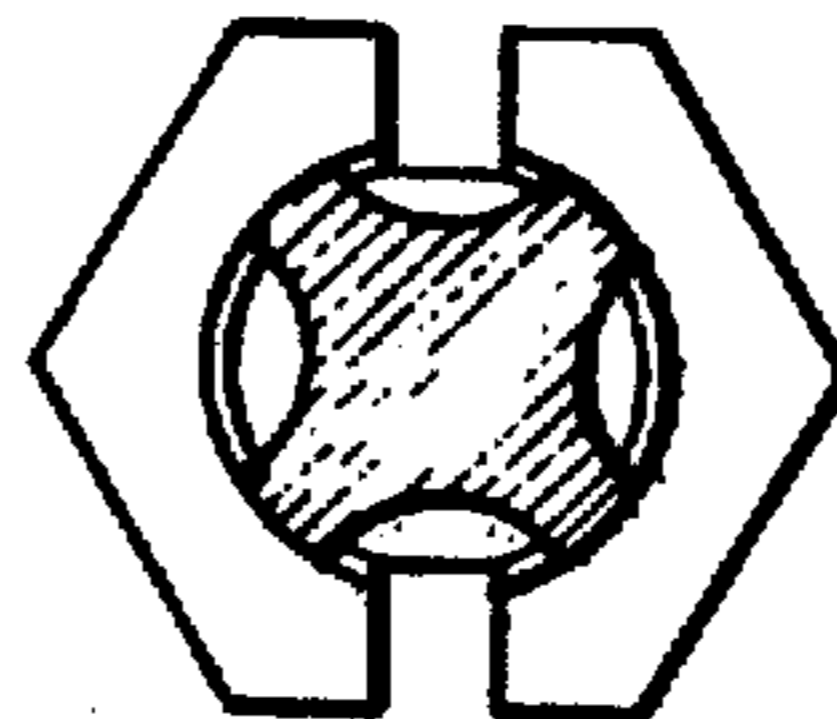
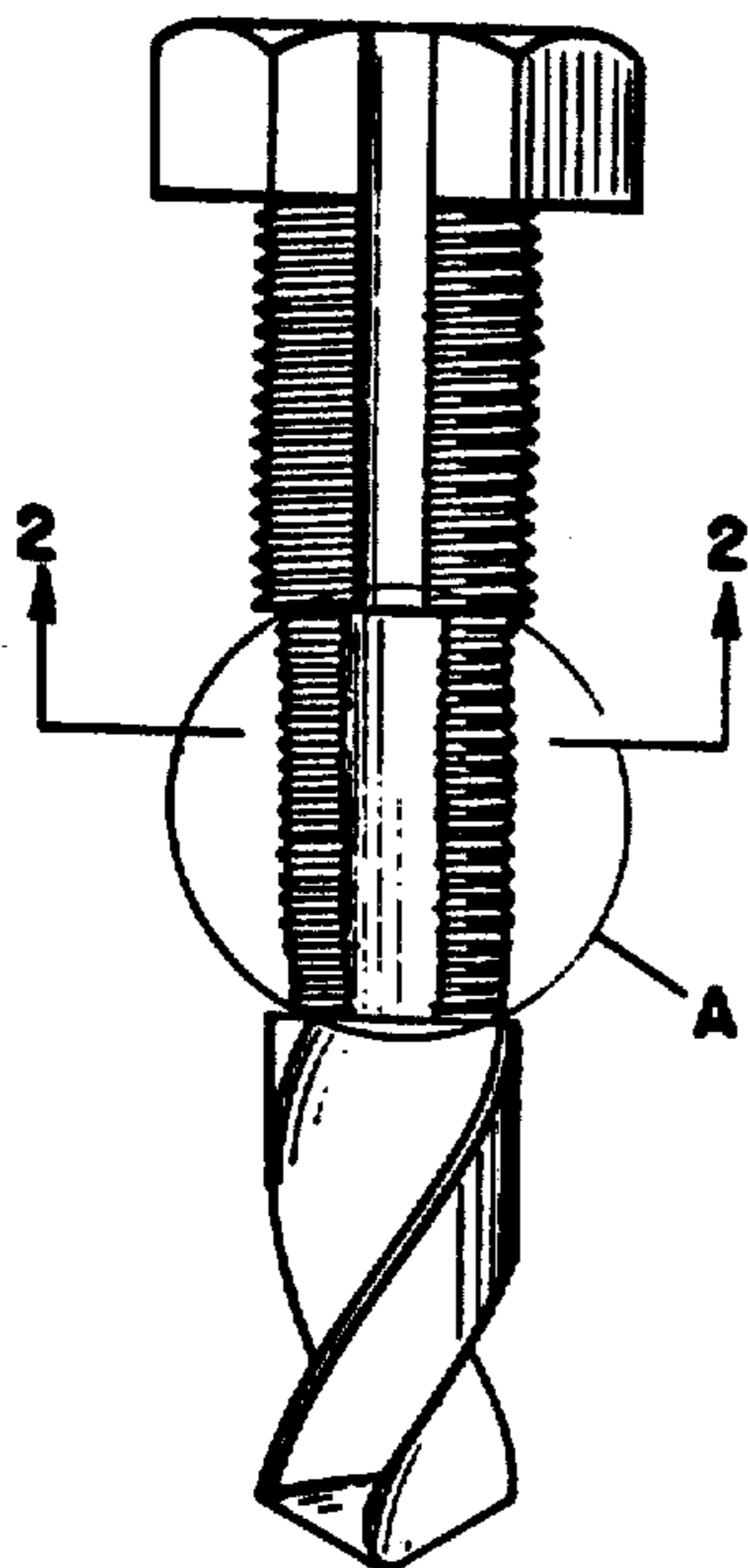
The ornamental design for a channel drill and bolt combination, as shown and described.

DESCRIPTION

FIG. 1 is a front elevational view of a channel drill and bolt combination embodying my new design; the rear being identical;
 FIG. 2 is a sectional view taken along the direction of the arrows on line 2—2 of FIG. 1;
 FIG. 3 is a side-elevational view taken from the right of FIG. 1, the side opposite being identical;
 FIG. 4 is a bottom plan view thereof;
 FIG. 5 is a top plan view thereof.

[56] **References Cited**
U.S. PATENT DOCUMENTS

1,630,602	5/1927	Blanco	408/224
3,699,841	10/1972	Lanius	408/224
3,710,676	1/1973	Ringland	85/41
3,738,218	6/1973	Gutshall	408/230



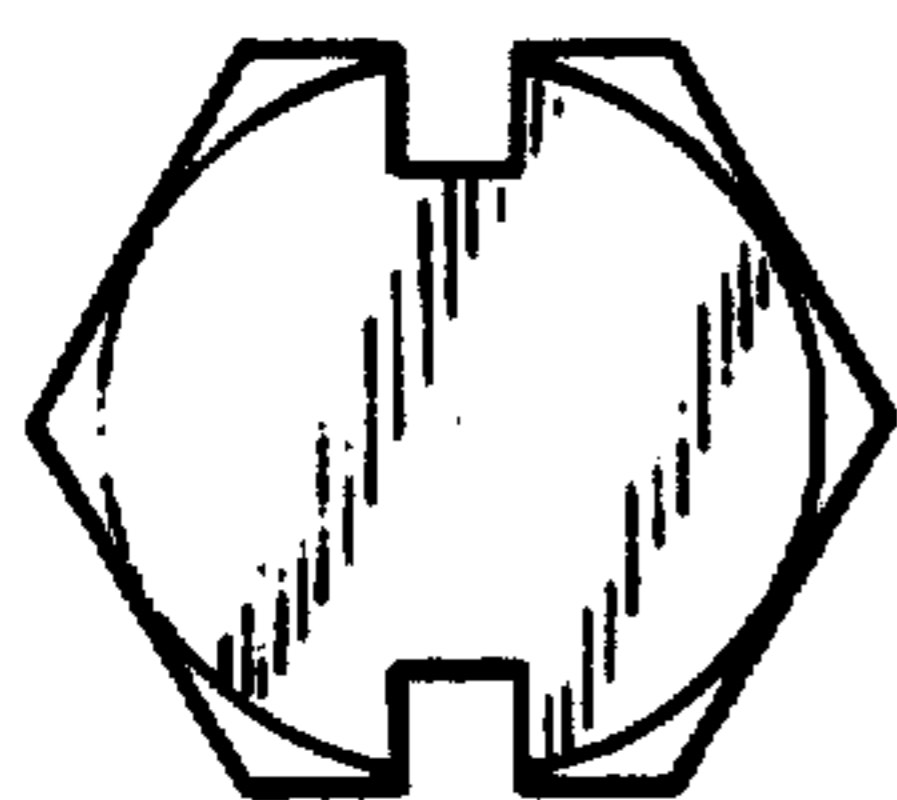


FIG. 5

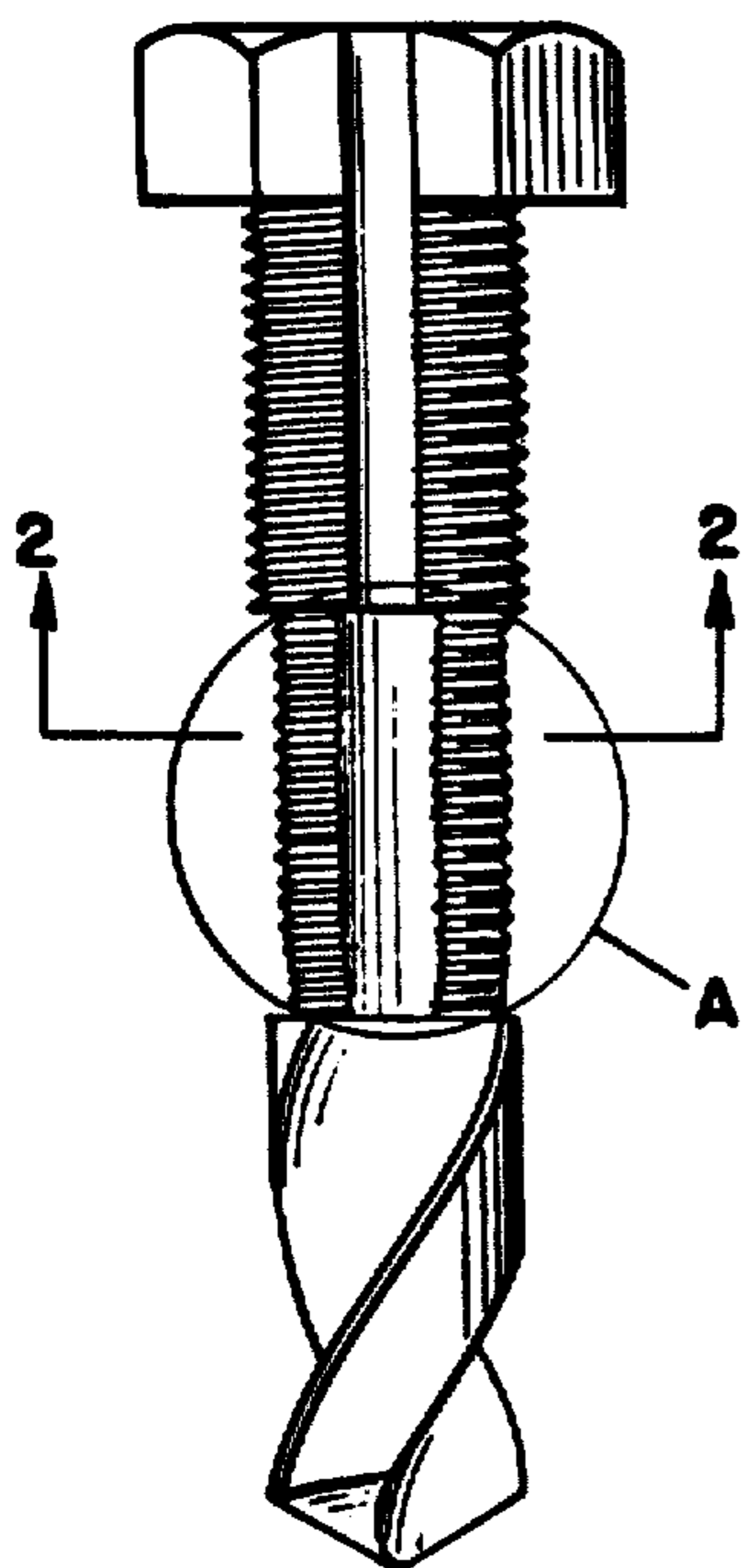


FIG. 1

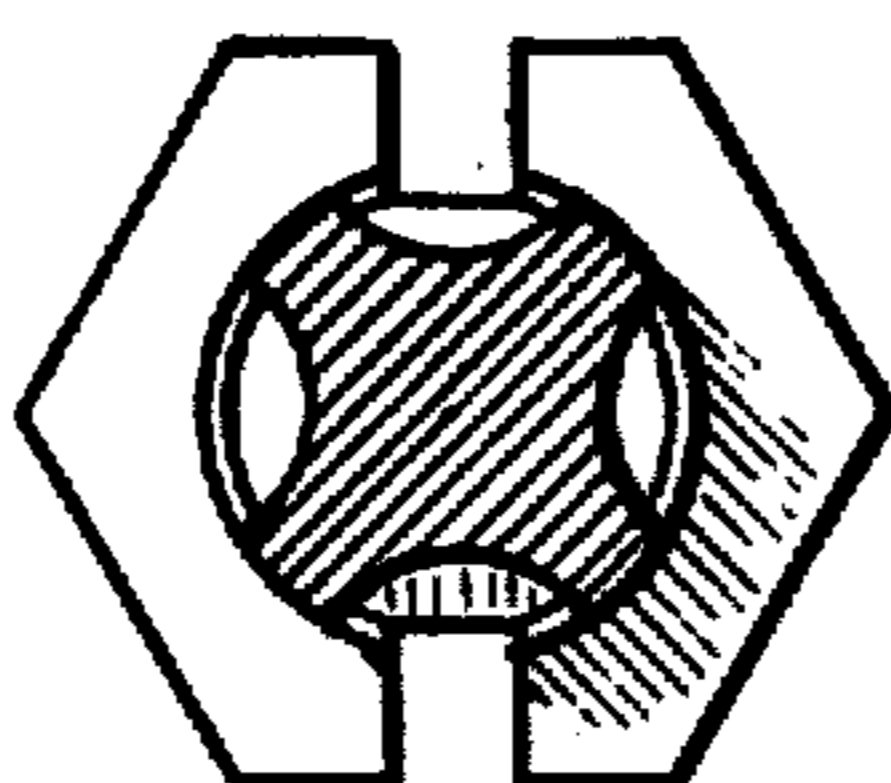


FIG. 2

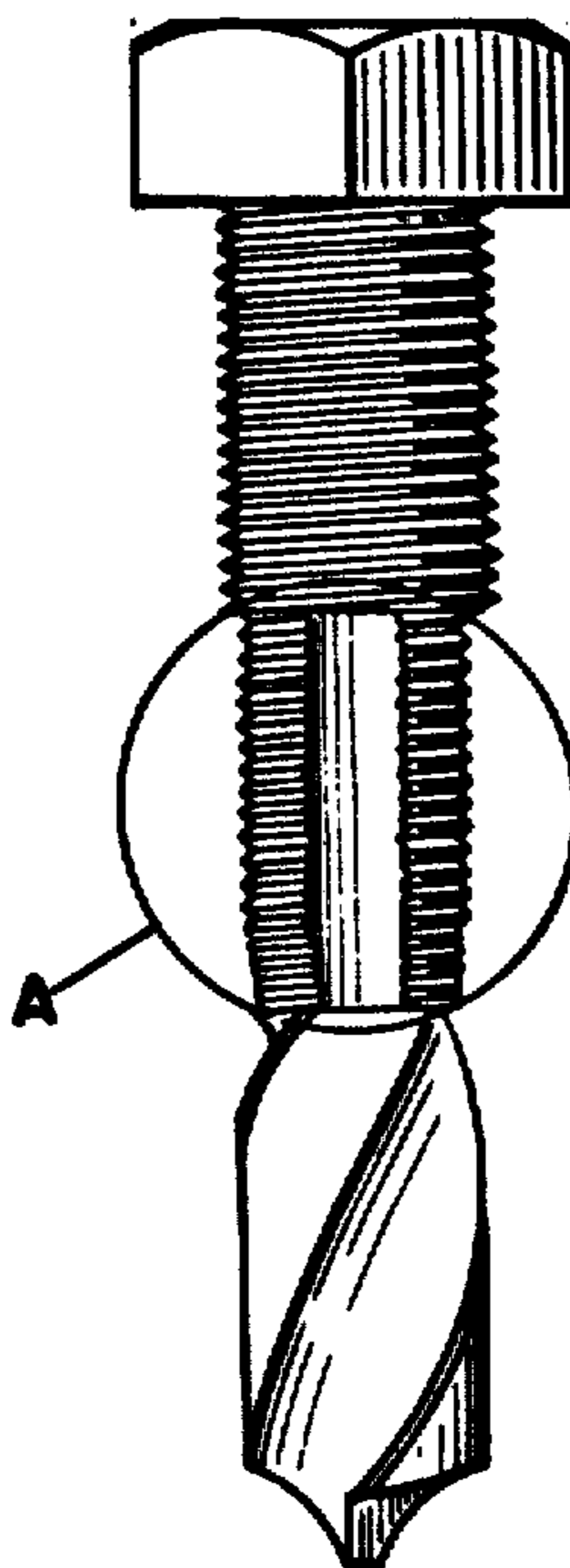


FIG. 3

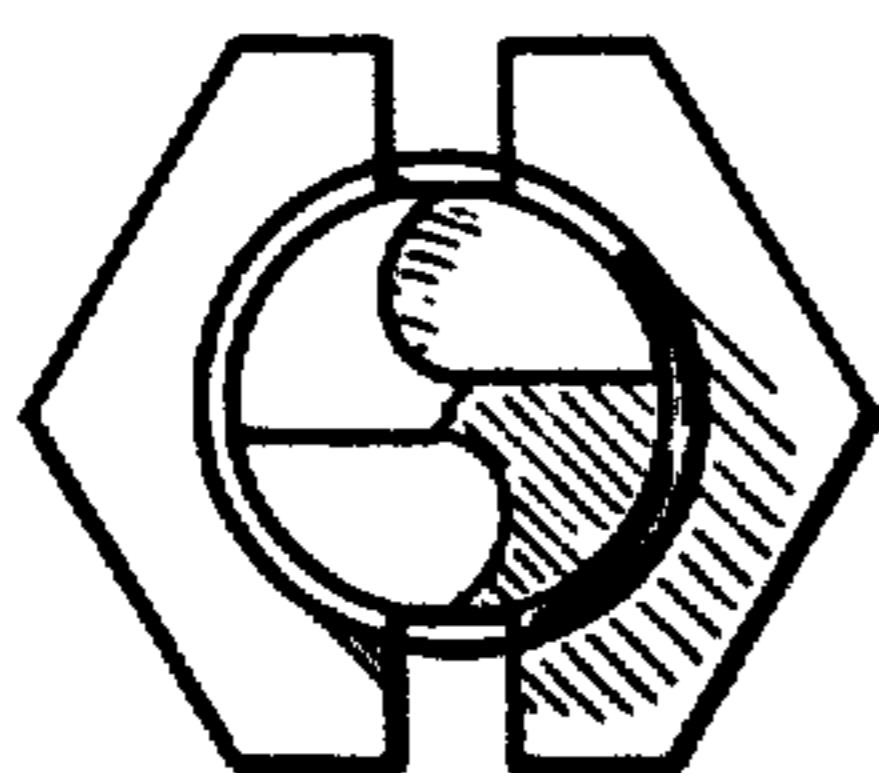


FIG. 4

UNITED STATES PATENT AND TRADEMARK OFFICE
CERTIFICATE OF CORRECTION

PATENT NO. : Des. 260,525

DATED : September 1, 1981

Page 1 of 2

INVENTOR(S) : Will M. Lassiter

It is certified that error appears in the above—identified patent and that said Letters Patent is hereby corrected as shown below:

The Drawing Figures 1, 2, 3, 4 and 5, should appear as shown on the attached sheet.

Signed and Sealed this

First Day of December 1981

[SEAL]

Attest:

GERALD J. MOSSINGHOFF

Attesting Officer

Commissioner of Patents and Trademarks

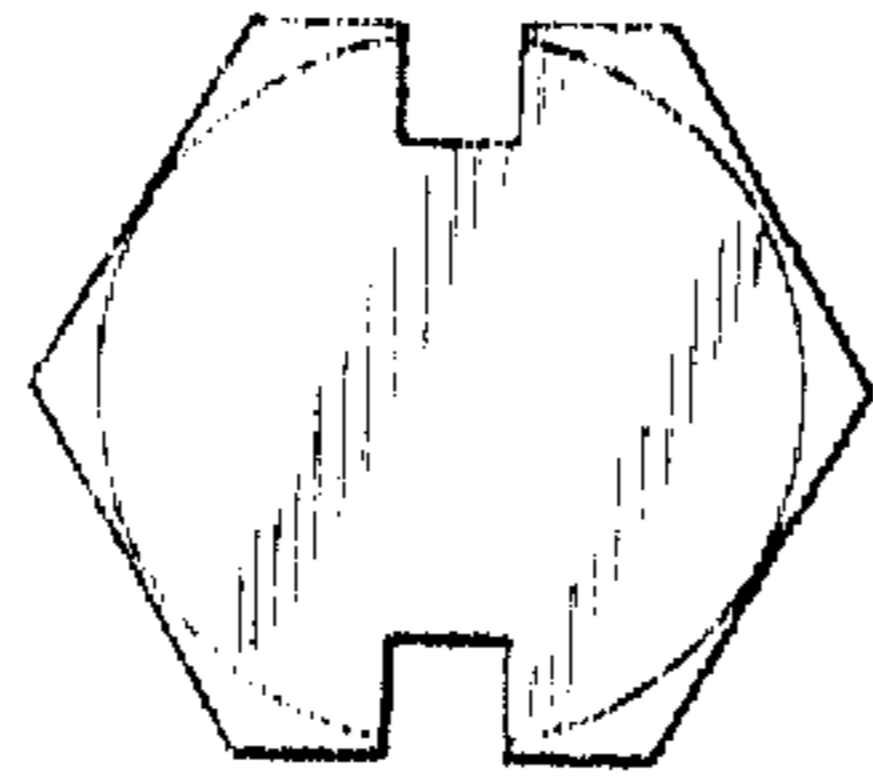


FIG. 5

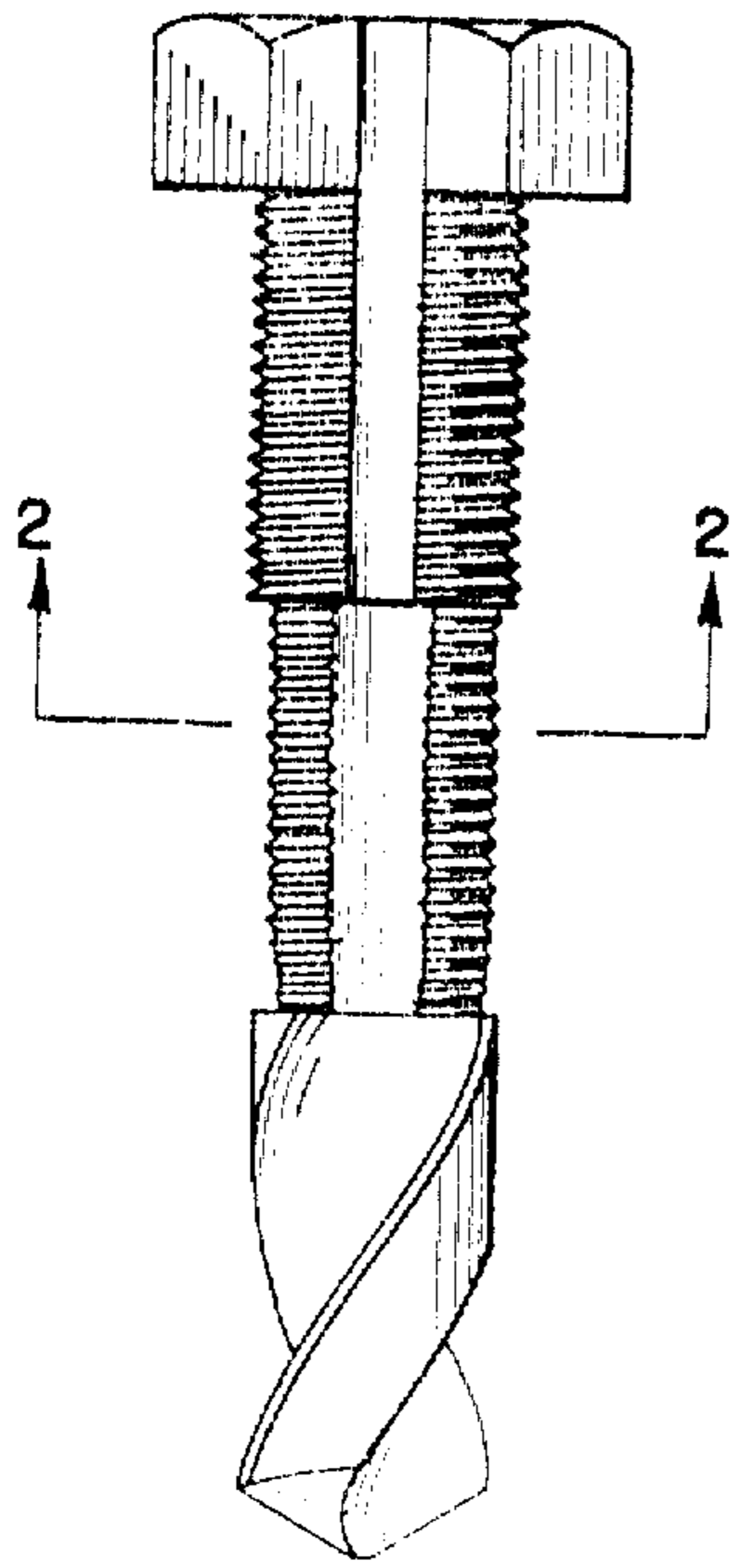


FIG. 1

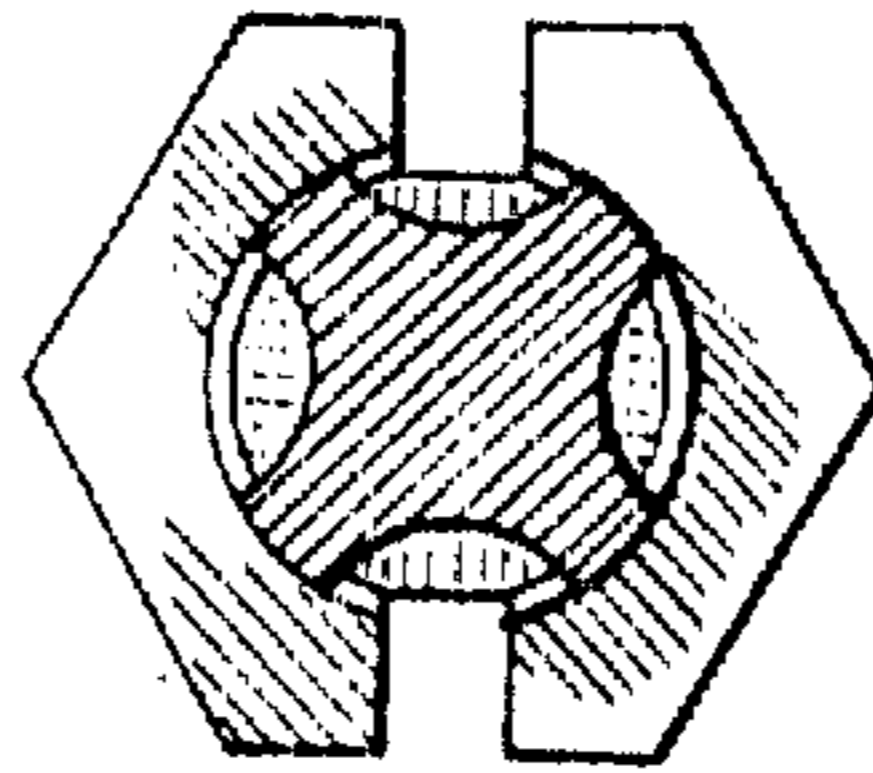


FIG. 2

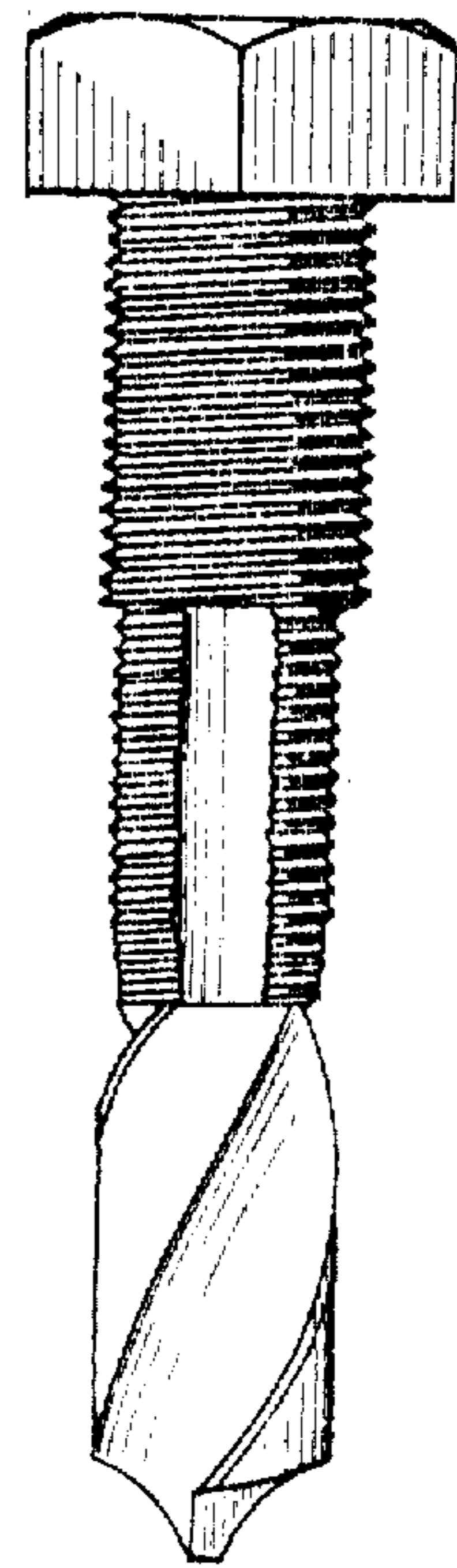


FIG. 3

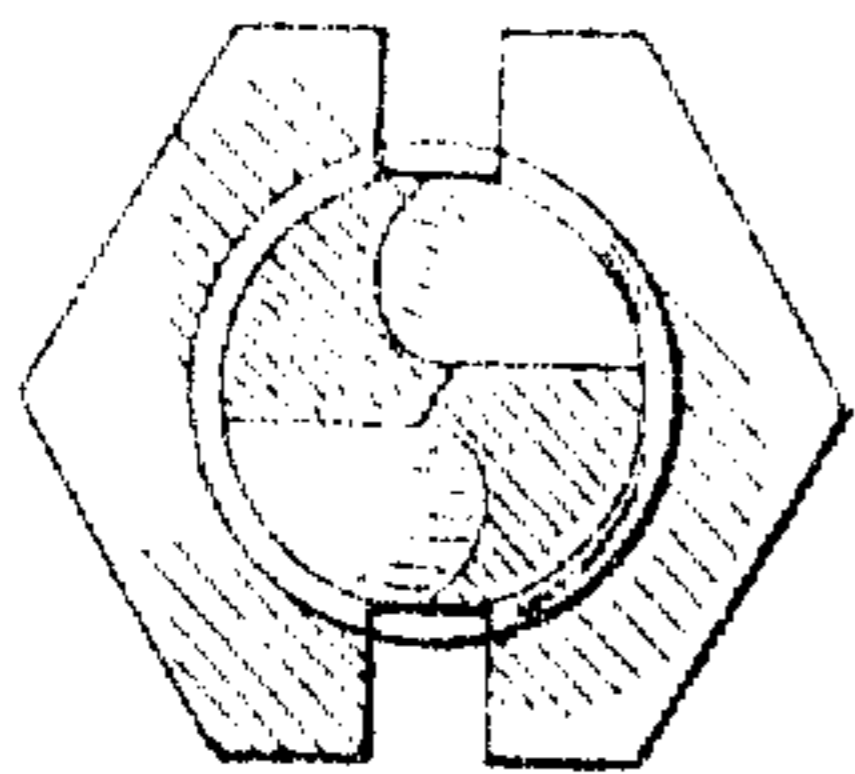


FIG. 4