

[54] HOUSING FOR ELECTRICAL CIRCUITS

[76] Inventor: Kenneth C. Comstock, 161 W. Washington, Murray, Utah 84070

[\*\*] Term: 14 Years

[21] Appl. No.: 20,815

[22] Filed: Mar. 15, 1979

[51] Int. Cl. .... D13-03

[52] U.S. Cl. .... D13/40

[58] Field of Search ..... D13/4, 11, 12, 40, 41; D14/58, 71, 92; 174/50, 52 R; 361/331, 380, 381, 383, 389, 390, 392; 179/1 A, 1 E, 1 H, 1 HF, 178, 179, 184

[56] References Cited

U.S. PATENT DOCUMENTS

D. 103,708	3/1937	Cardoza .....	D14/71
D. 121,131	6/1940	Stolzenberger, Jr. ....	D14/58
D. 148,343	1/1948	Whyte .....	D14/92
D. 252,568	8/1979	Comstock .....	D13/40

2,763,719 9/1956 Shoeneberg ..... 179/1 H  
3,916,103 10/1975 Morrell et al. .... 179/1 HF

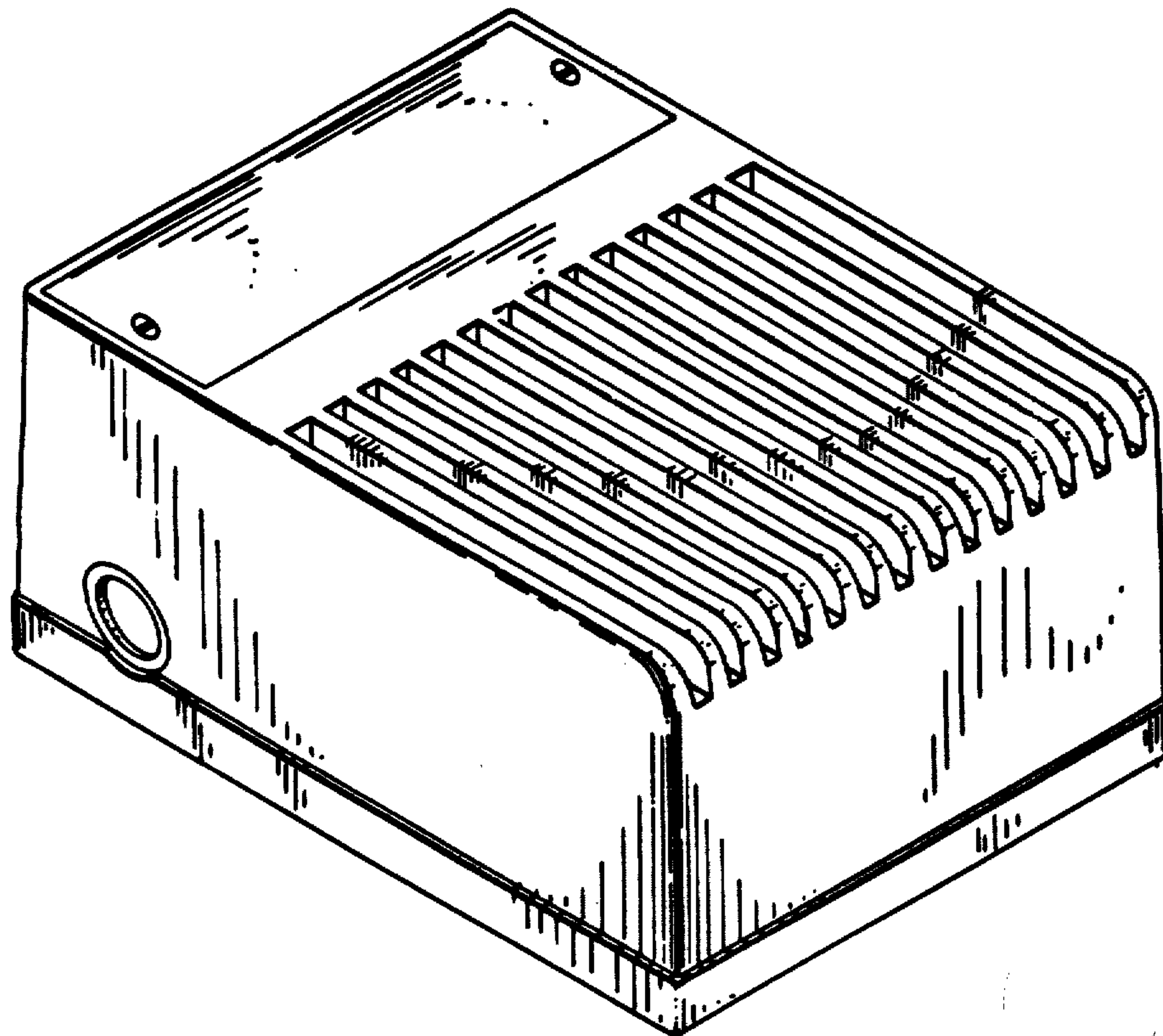
Primary Examiner—Peter M. Caun  
Attorney, Agent, or Firm—Thorpe, North, Western & Gold

[57] CLAIM

The ornamental design for a housing for electrical circuits, substantially as shown.

DESCRIPTION

FIG. 1 is a perspective view of a housing for electrical circuits;  
FIG. 2, a top plan view thereof;  
FIG. 3, a side elevation view thereof;  
FIG. 4, an end view thereof;  
FIG. 5, a view of the end opposite that shown in FIG. 4; and  
FIG. 6, a bottom view thereof.  
The side opposite that shown in FIG. 3 is substantially the same as that of FIG. 3 and is therefore not shown separately.



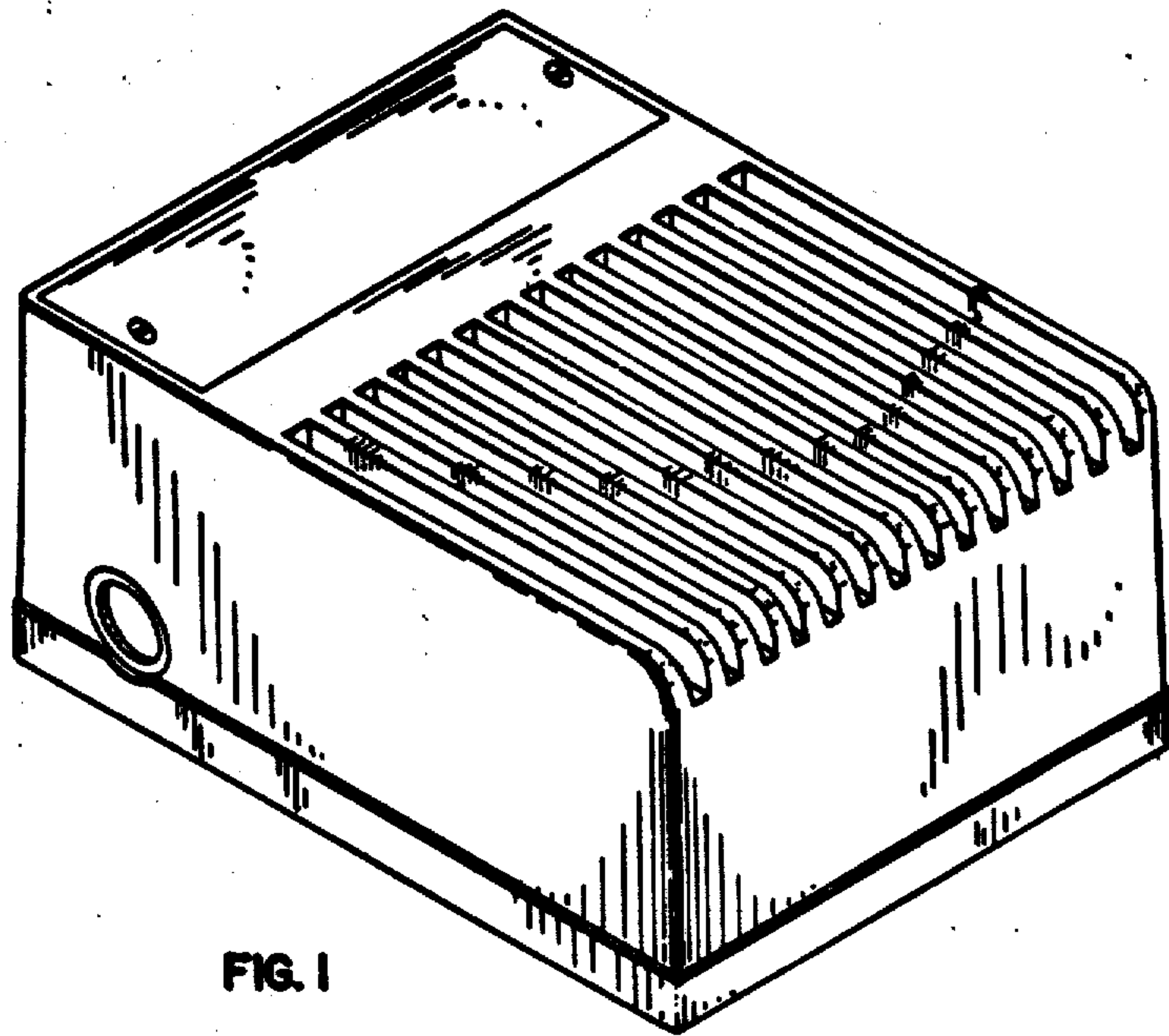


FIG. 1

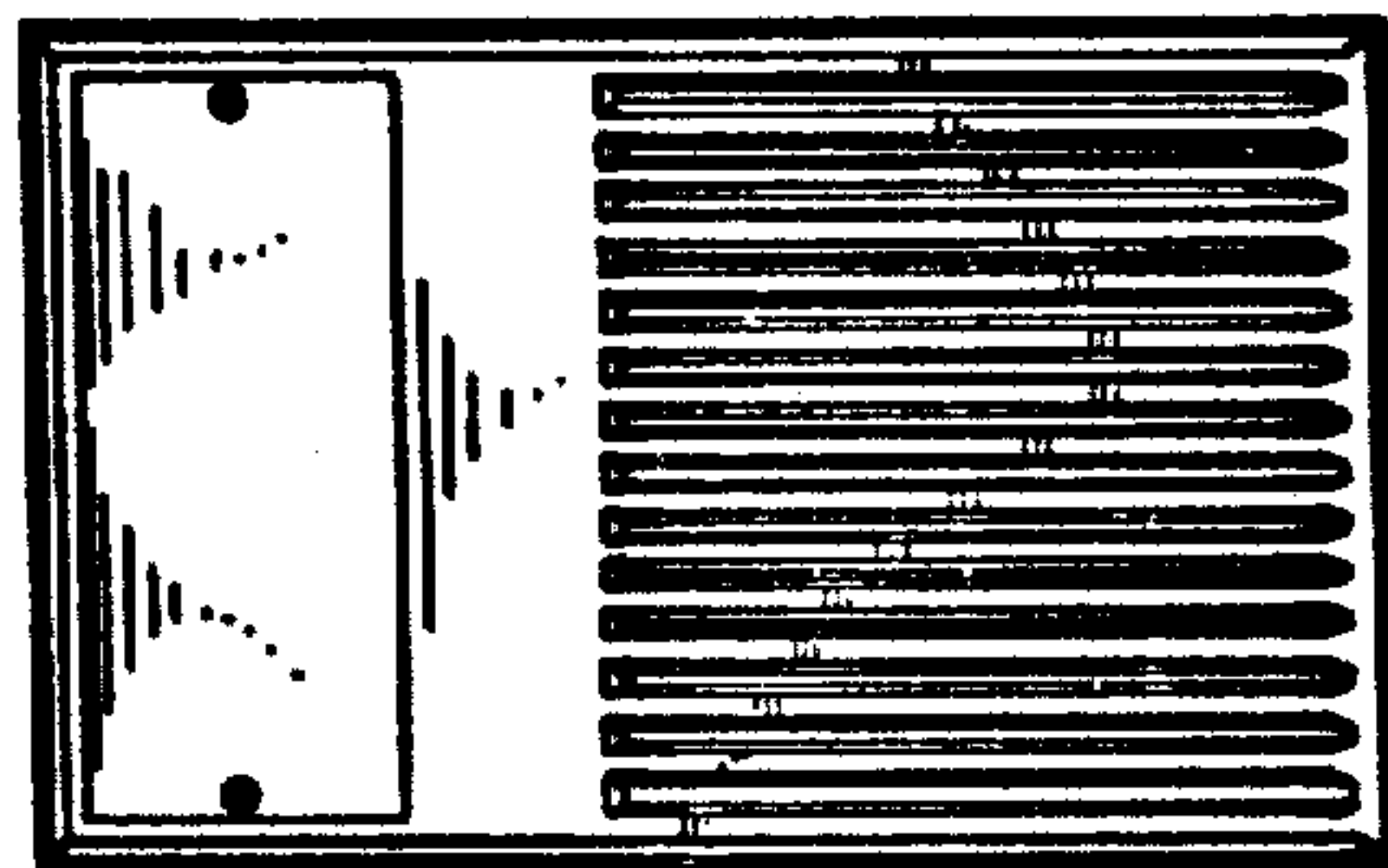


FIG. 2

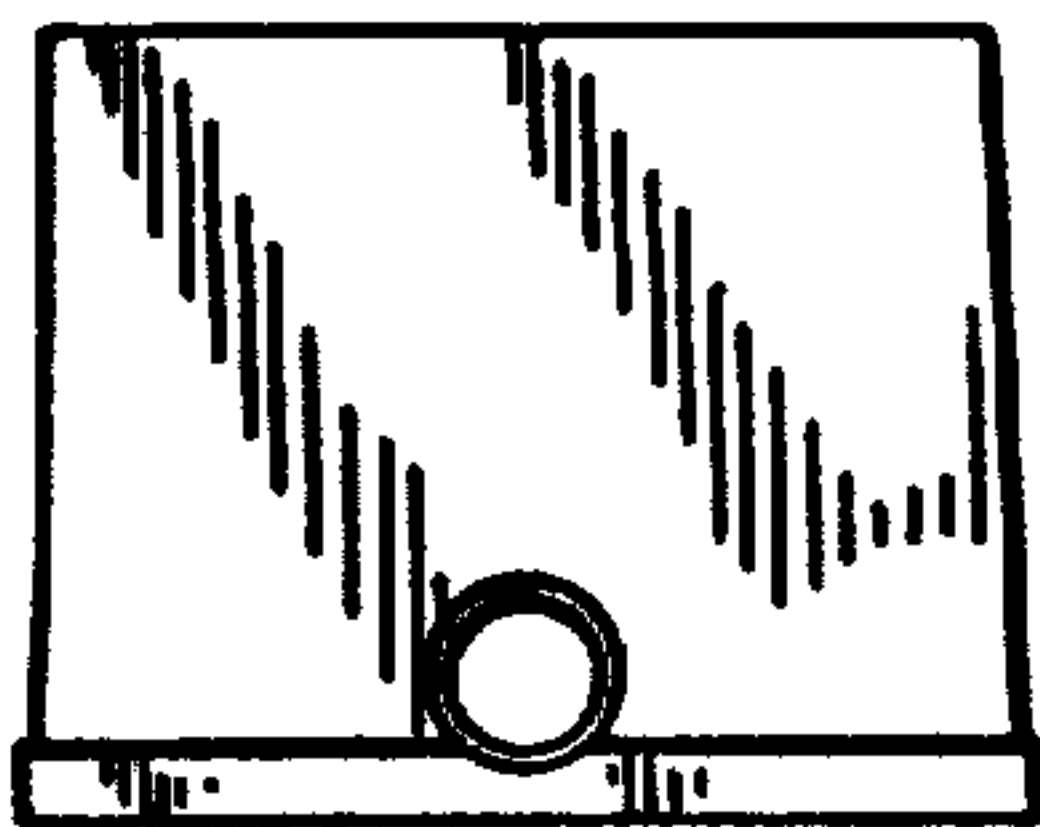


FIG. 4

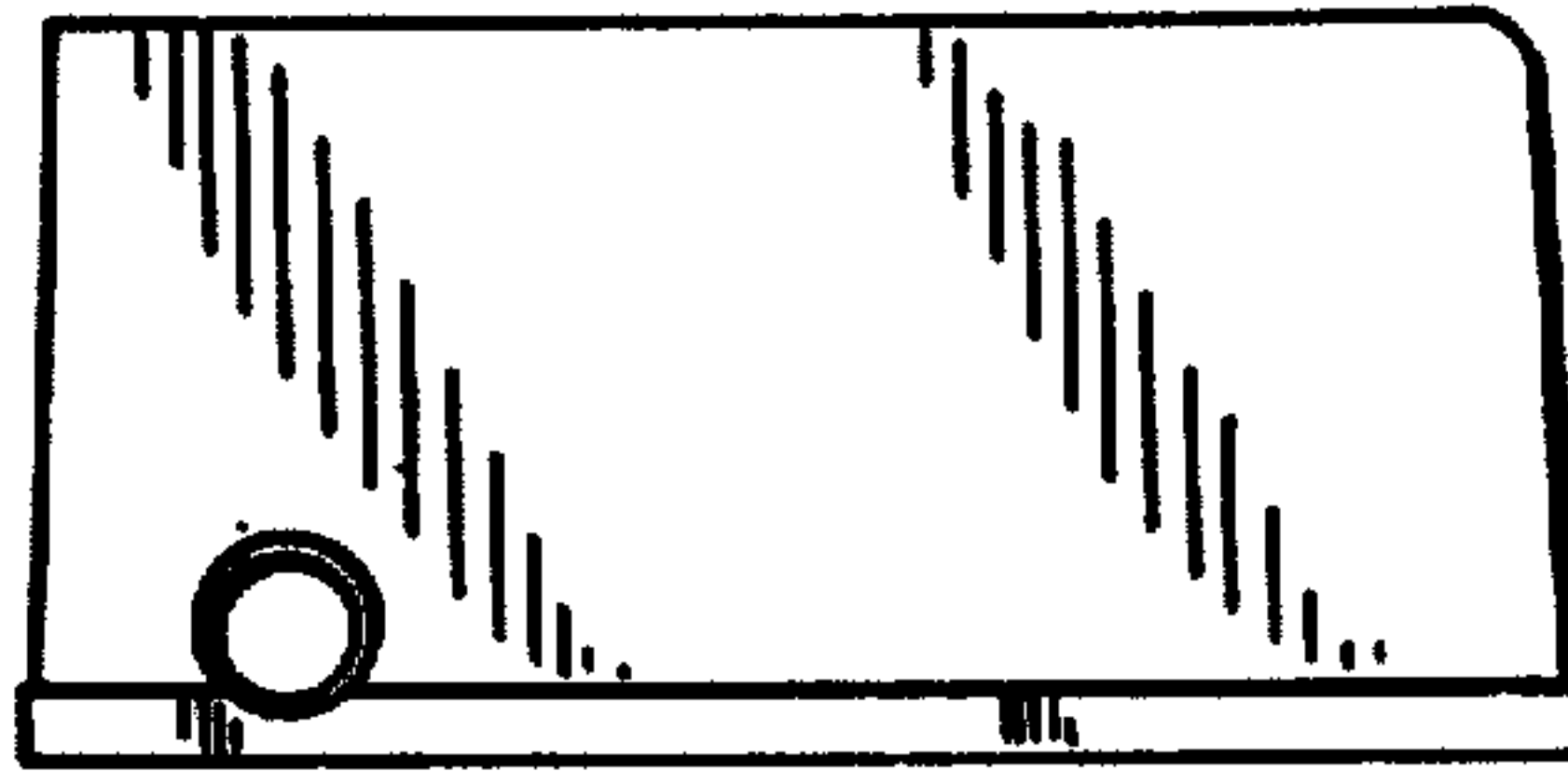


FIG. 3

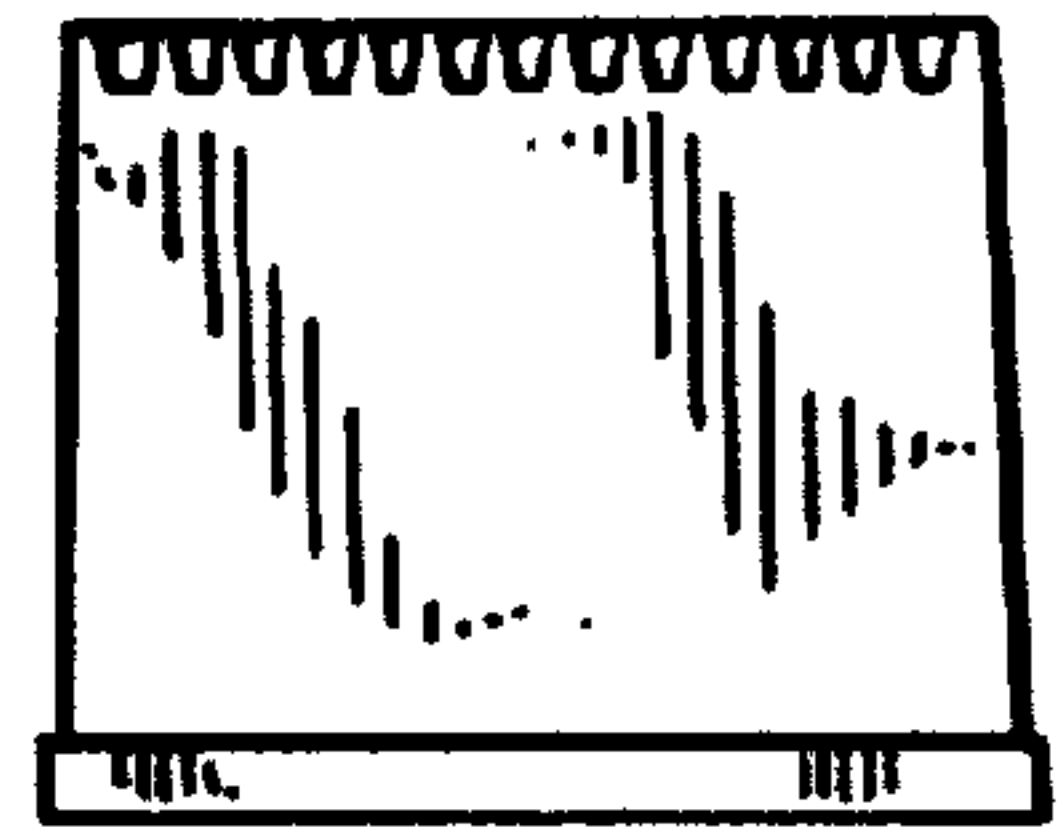


FIG. 5

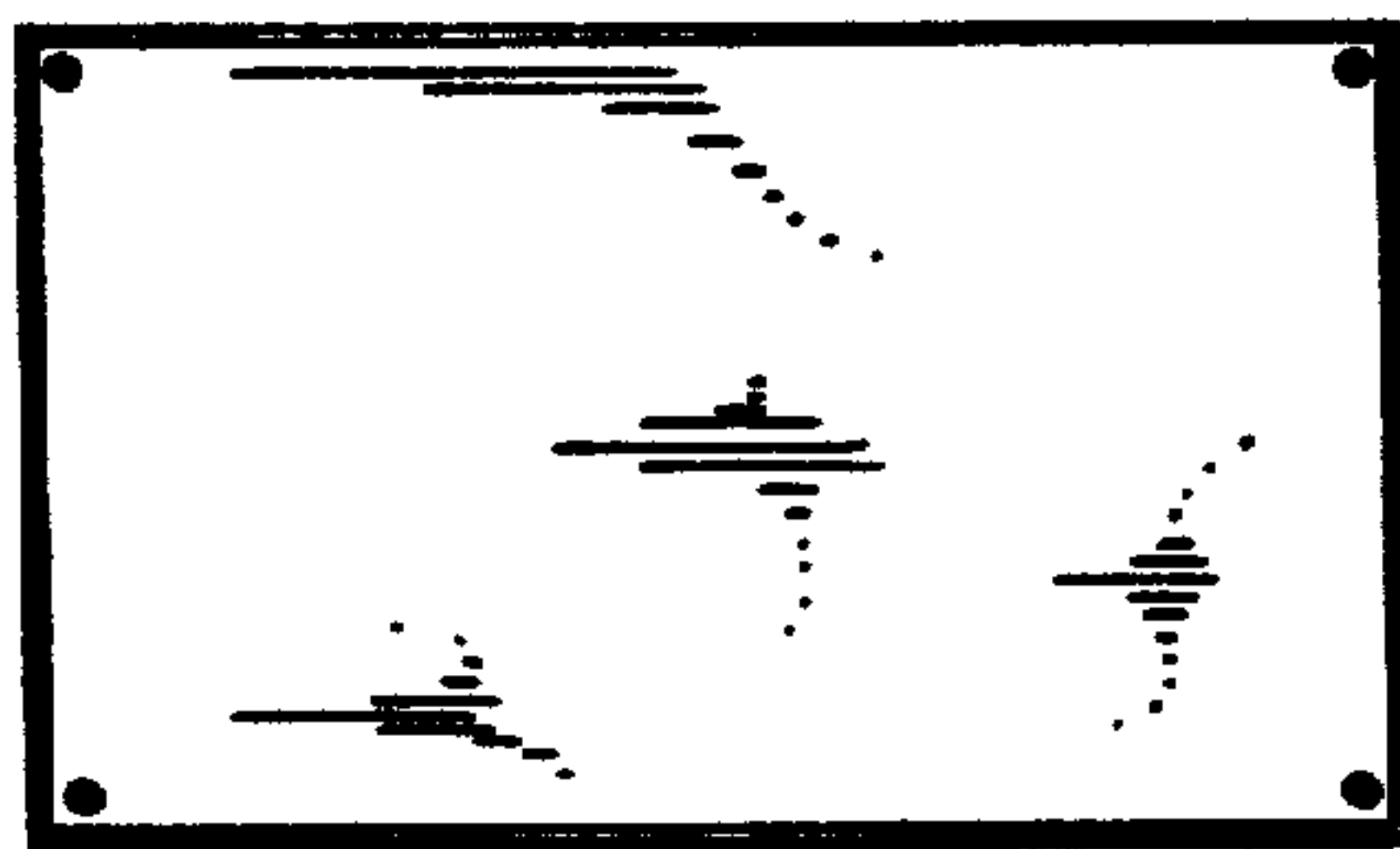


FIG. 6