

[54] PORTABLE RADAR-TYPE SPEED METER

[76] Inventors: Viktor A. Petrovsky, ulitsa Pugacheva, 19a, kv. 45; Lev G. Gassanov, ulitsa Uritskogo, 25, kv. 65, both of Kiev; Sergei M. Belyaev, ulitsa Magnitogorskaya, 3, kv. 97; Lev A. Kochetov, ulitsa Khersonskaya, 3, kv. 30, both of Moscow; Vitaly L. Kryzhanovskiy, ulitsa Transheinaya, 11, kv. 1, Kiev; Andrei A. Palamarchuk, ulitsa Saratovskaya, 49, kv. 18, Kiev; Viktor D. Ushakov, ulitsa D.Bednogo, 25, kv. 52, Kiev; Rafail J. Timraleev, ulitsa Levanevskogo, 4, kv. 43-2, Kiev; Vitaly M. Parfenjuk, ulitsa Geroev Sevastopolya, 33, kv. 55, Kiev; Alexandr S. Piliipenko, ulitsa Kablukova, 3, kv. 29, Kiev; Petr A. Goncharov, ulitsa Artema, 10, kv. 1, Kiev; Anatoly I. Ponomarenko, poselok Bucha, ulitsa Kochubeya, 8, Kievskaya oblast, all of U.S.S.R.

[**] Term: 14 Years

[21] Appl. No.: 23,260

[22] Filed: Mar. 23, 1979

[51] Int. Cl. D10-04
[52] U.S. Cl. D10/46
[58] Field of Search D10/46; 343/5, 8, 18 E, 343/5 DD

[50] References Cited
U.S. PATENT DOCUMENTS

Table with 4 columns: Patent No., Date, Inventor, and Class. Includes entries for Eisele (D10/46), Midlock (343/8 X), and Petrovsky et al. (343/8).

Primary Examiner—Nelson C. Holtje
Attorney, Agent, or Firm—Burgess, Ryan and Wayne

[57] CLAIM

The ornamental design for a portable radar-type speed meter, substantially as shown and described.

DESCRIPTION

FIG. 1 is a front elevation view of the portable radar-type speed meter showing our new design; FIG. 2 is a bottom plan view thereof; FIG. 3 is a right side elevational view thereof; FIG. 4 is a left side elevational view thereof; FIG. 5 is a top plan view thereof; and FIG. 6 is a perspective view thereof. The line cords of FIGS. 1-2 and 5-6 are shown broken away to indicate indeterminate length.

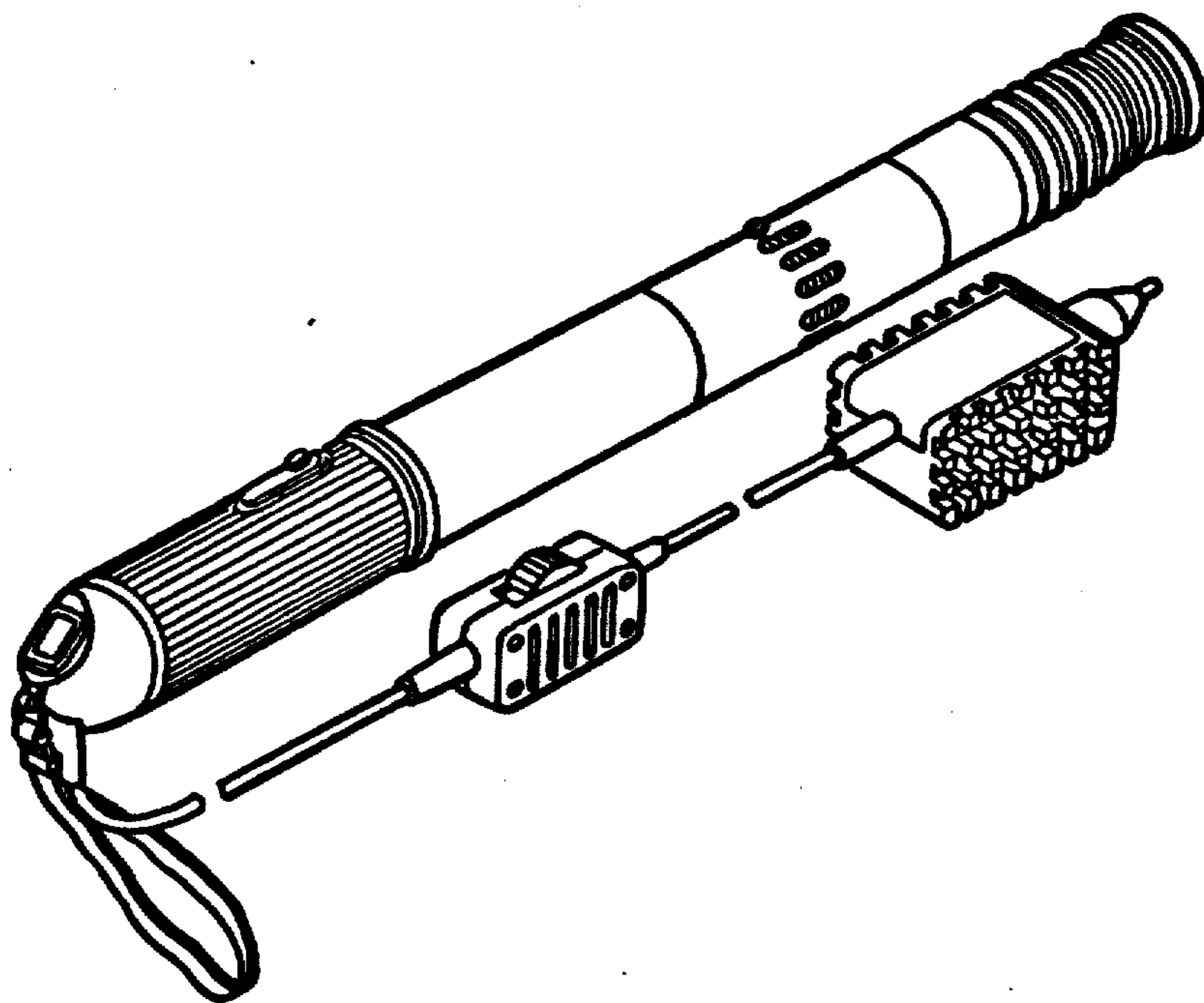


FIG. 2

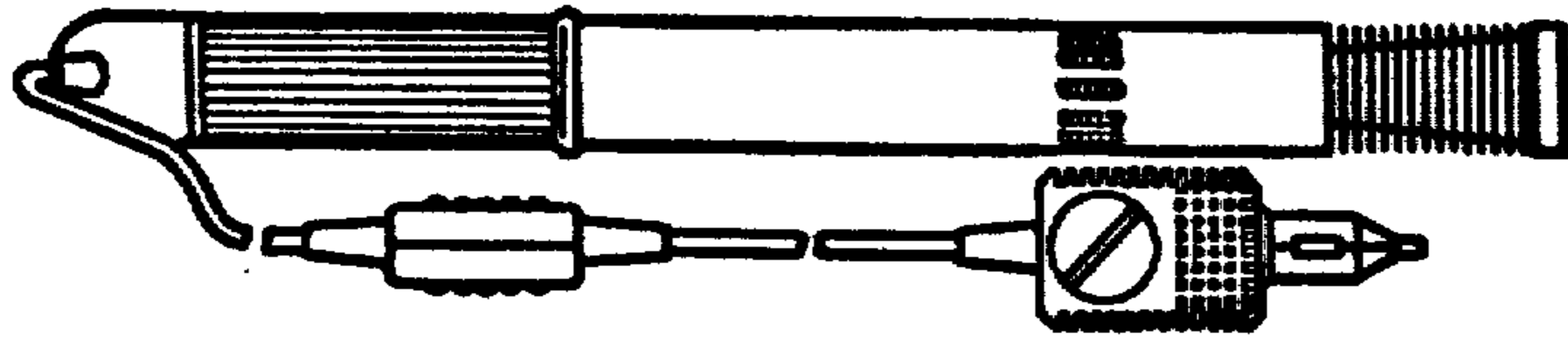


FIG. 3

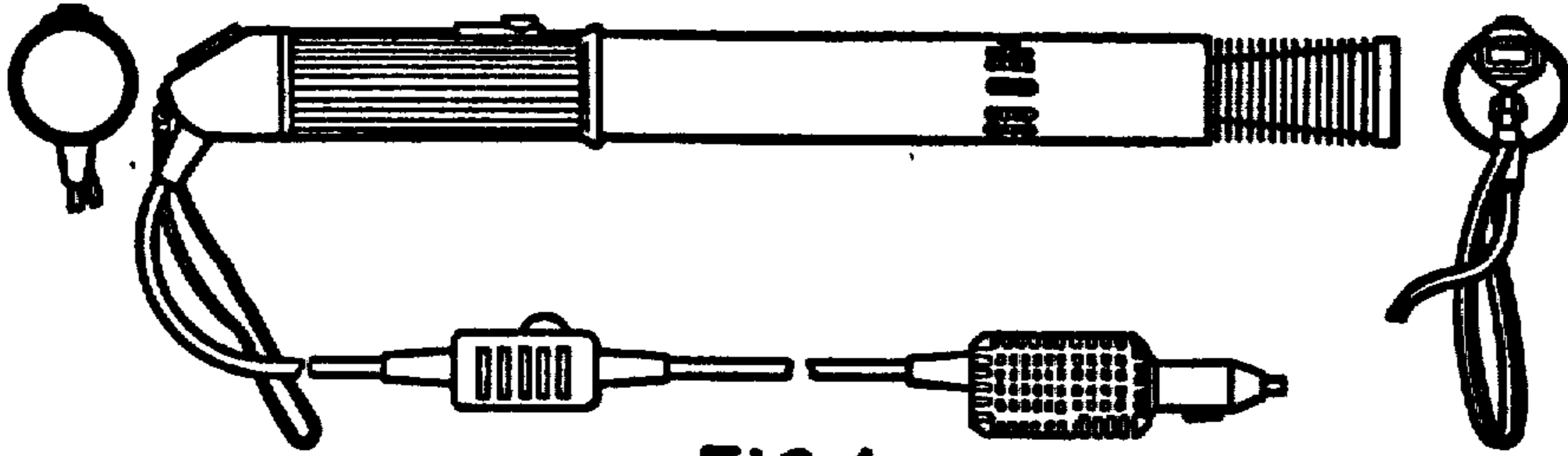


FIG. 4

FIG. 1

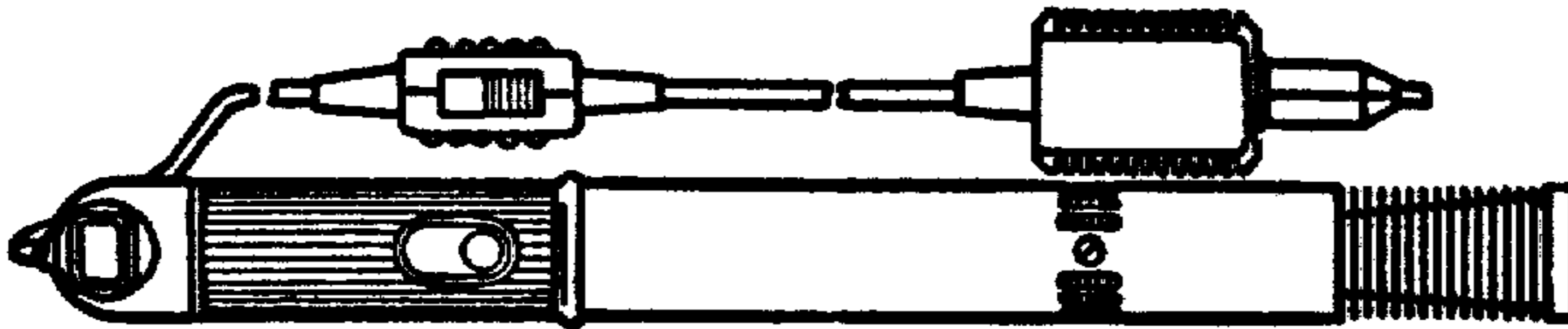


FIG. 5

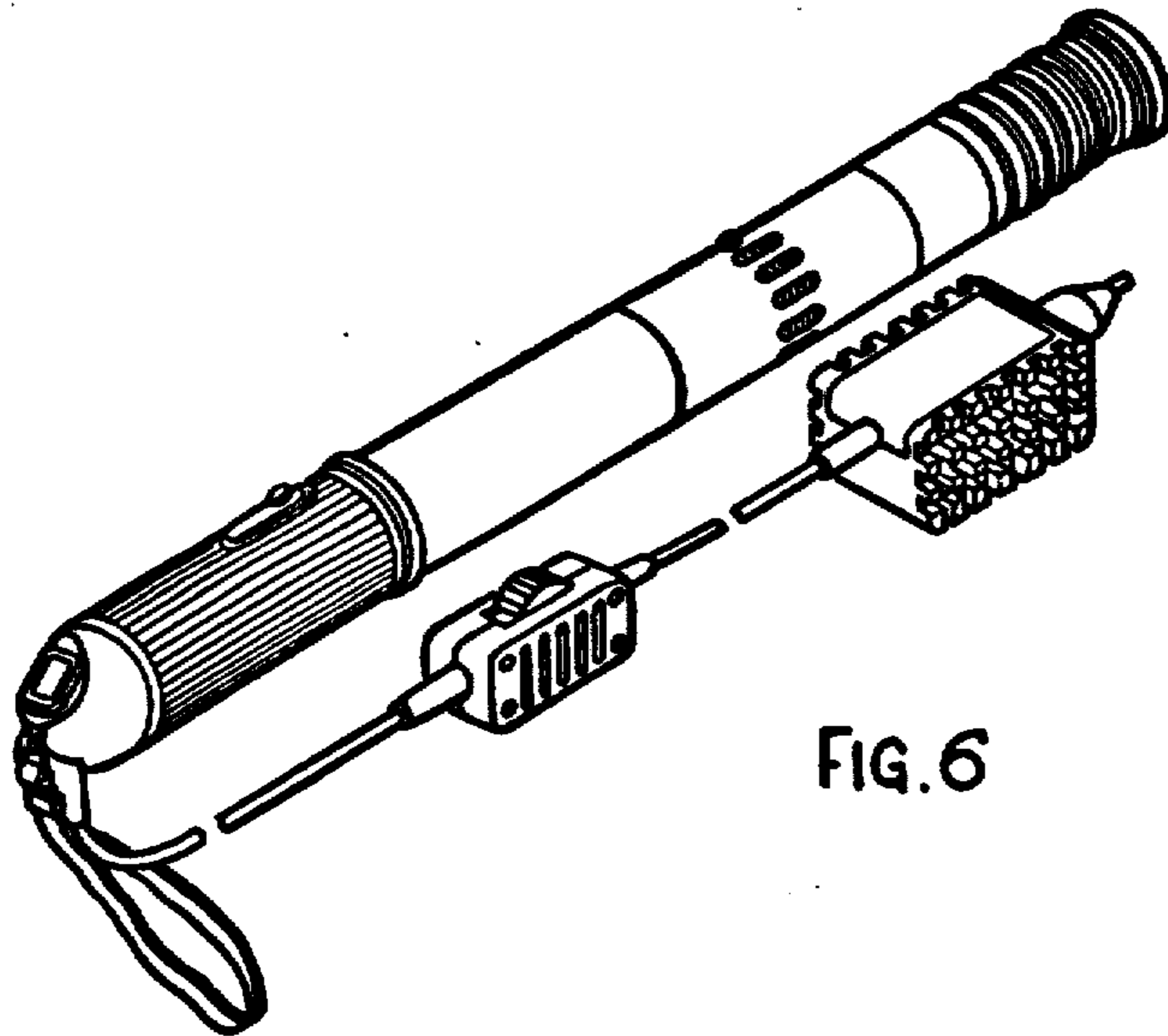


FIG. 6