

[54] BOTTLE

[75] Inventor: Herbert C. Weiland, San Pedro, Calif.

[73] Assignee: Gould and Associates, Inc., Los Angeles, Calif.

[\*\*] Term: 14 Years

[21] Appl. No.: 974,139

[22] Filed: Dec. 26, 1978

[51] Int. Cl. .... D9-01

[52] U.S. Cl. .... D9/374; D9/376; D9/381

[58] Field of Search .... D9/59-71, D9/38, 44, 45

[56]

References Cited

U.S. PATENT DOCUMENTS

D. 46,425	9/1914	Breiter .....	D9/71
D. 101,590	10/1936	Patterson .....	D9/59
D. 195,102	4/1963	Du Pree .....	D9/45
D. 197,630	3/1964	Hill .....	D9/59

Primary Examiner—Robert C. Spangler  
Attorney, Agent, or Firm—Ellsworth R. Roston; Charles H. Schwartz

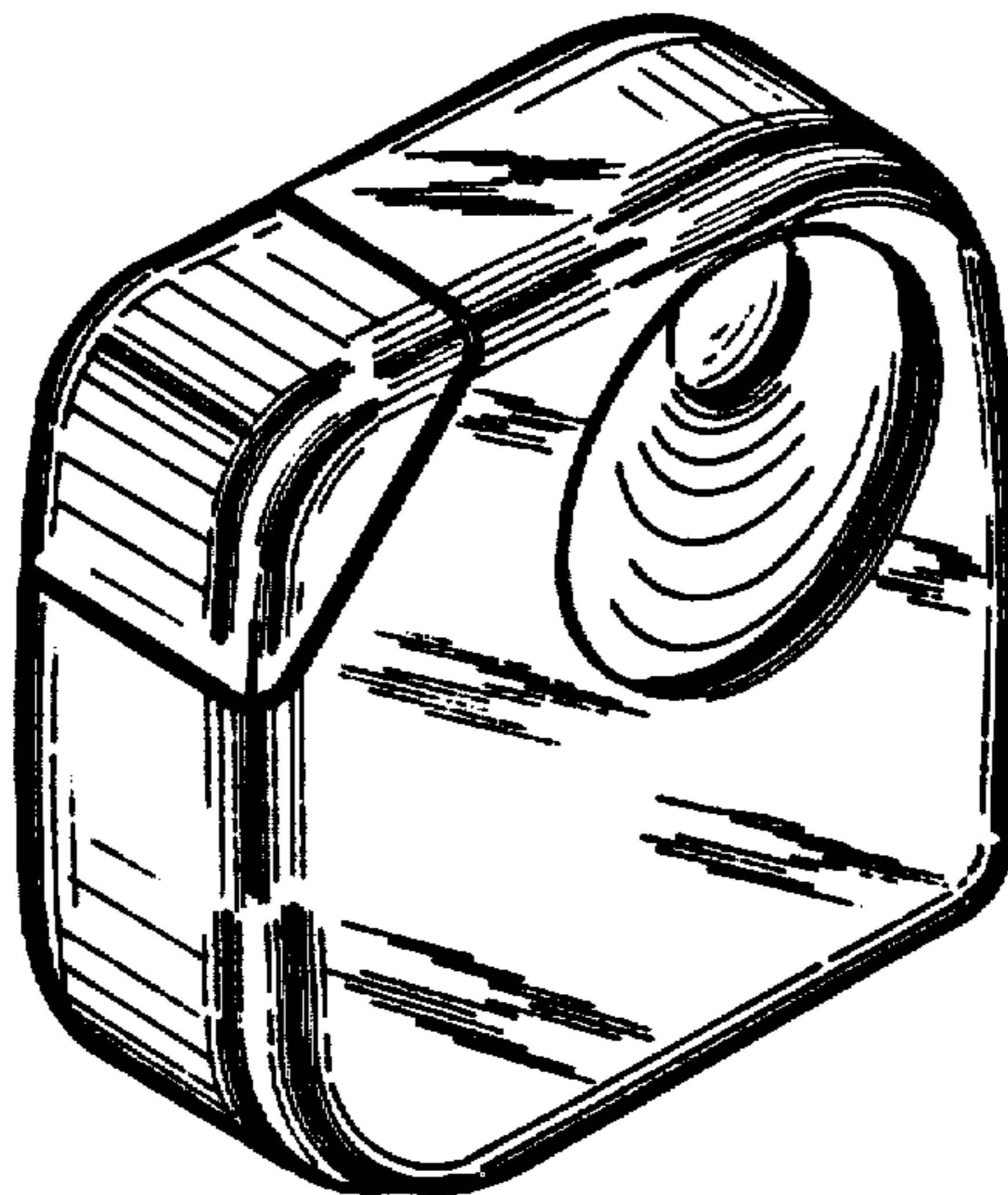
[57]

CLAIM

The ornamental design for a bottle, as shown.

DESCRIPTION

FIG. 1 is a front perspective view of a bottle showing my new design;  
FIG. 2 is a side elevational view;  
FIG. 3 is a rear elevational view; and  
FIG. 4 is a bottom plan view partially in section taken on the line 4-4 of FIG. 3.



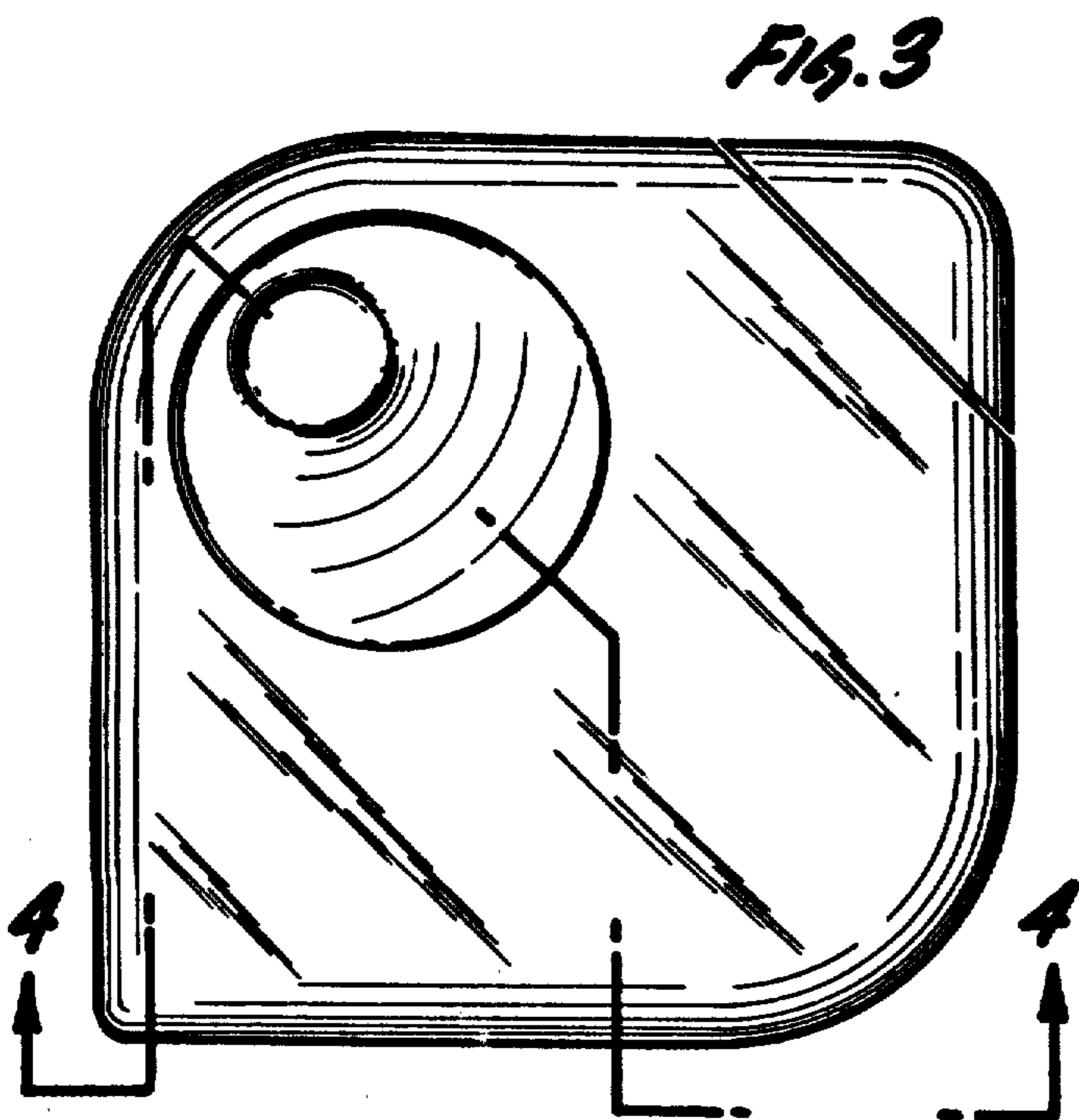
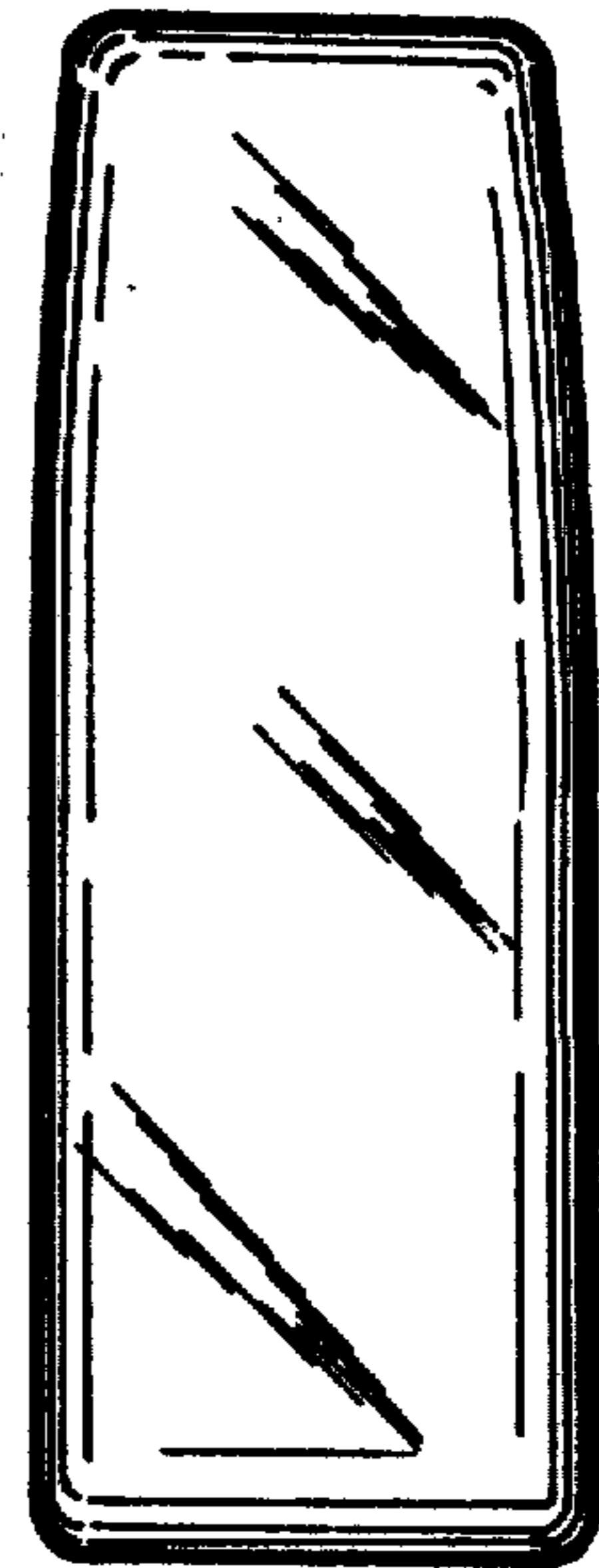
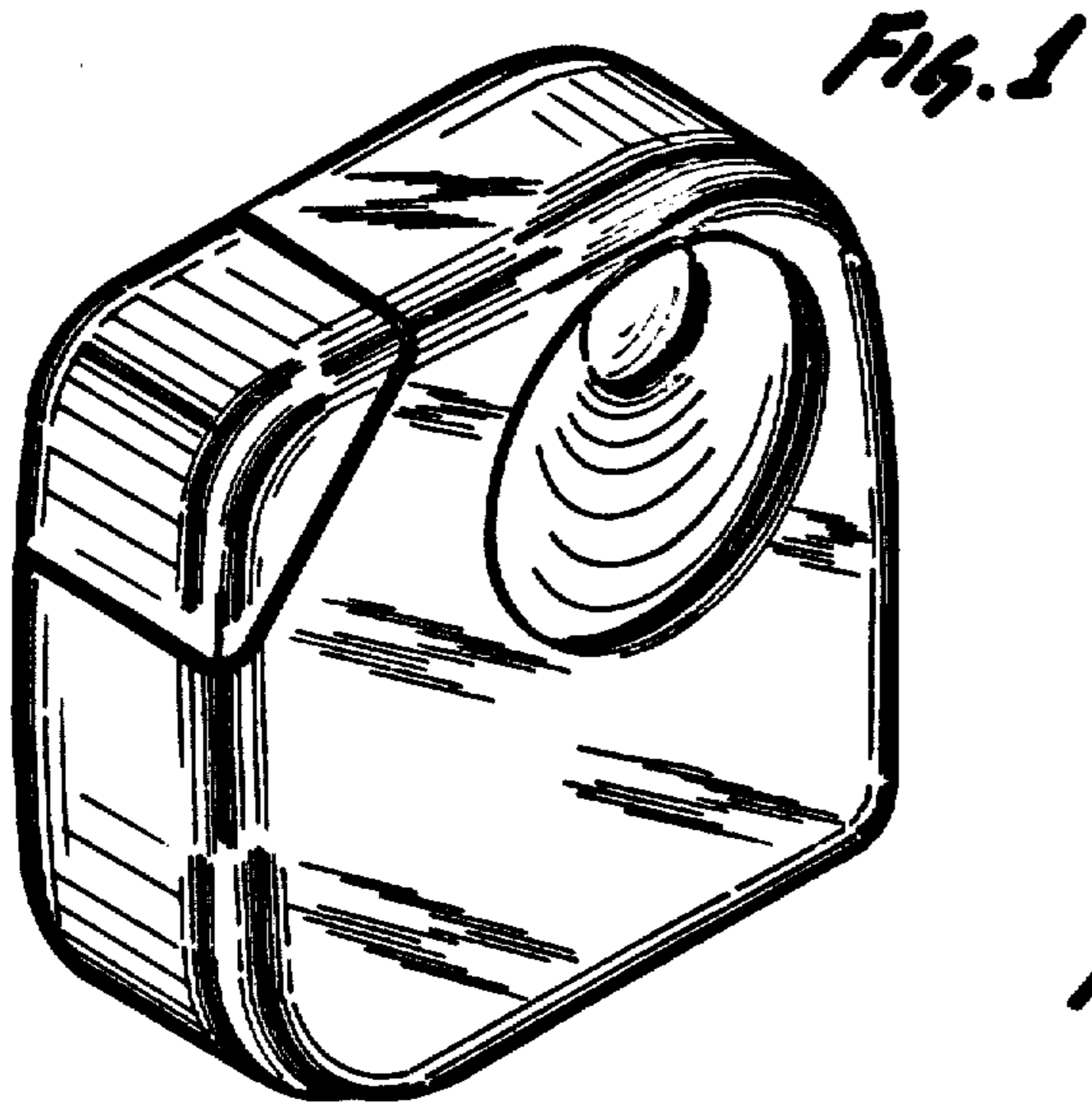


Fig. 4