

[54] REEL

[76] Inventor: Roy E. Carey, 7671 North Ave.,  
Lemon Grove, Calif. 92045

[\*\*] Term: 14 Years

[21] Appl. No.: 63,590

[22] Filed: Aug. 3, 1979

[51] Int. Cl. .... D22-05

[52] U.S. Cl. .... D8/359; D8/358

[58] Field of Search ..... 242/96, 104, 115, 117;  
D8/359, 358

[56]

References Cited

U.S. PATENT DOCUMENTS

D. 245,397 8/1977 Duncan ..... D8/359  
D. 251,356 3/1979 Bogaert ..... D8/358

Primary Examiner—A. Hugo Word  
Attorney, Agent, or Firm—Brown & Martin

[57]

CLAIM

The ornamental design for a reel, substantially as shown.

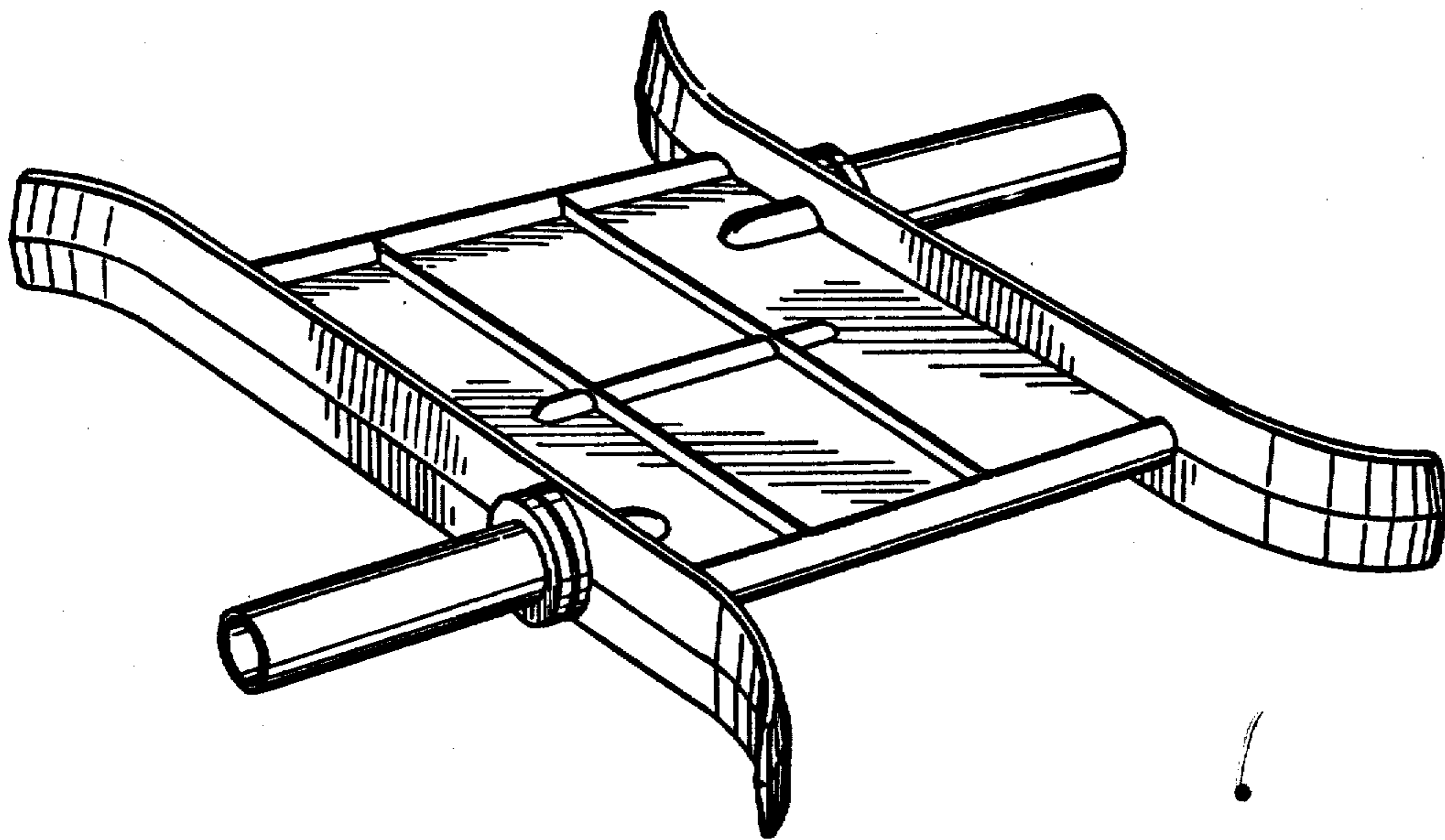
DESCRIPTION

FIG. 1 is a perspective view of a reel, showing my new design,

FIG. 2 is an underside view thereof;

FIG. 3 is an end elevational view thereof; and

FIG. 4 is a side elevational view thereof.



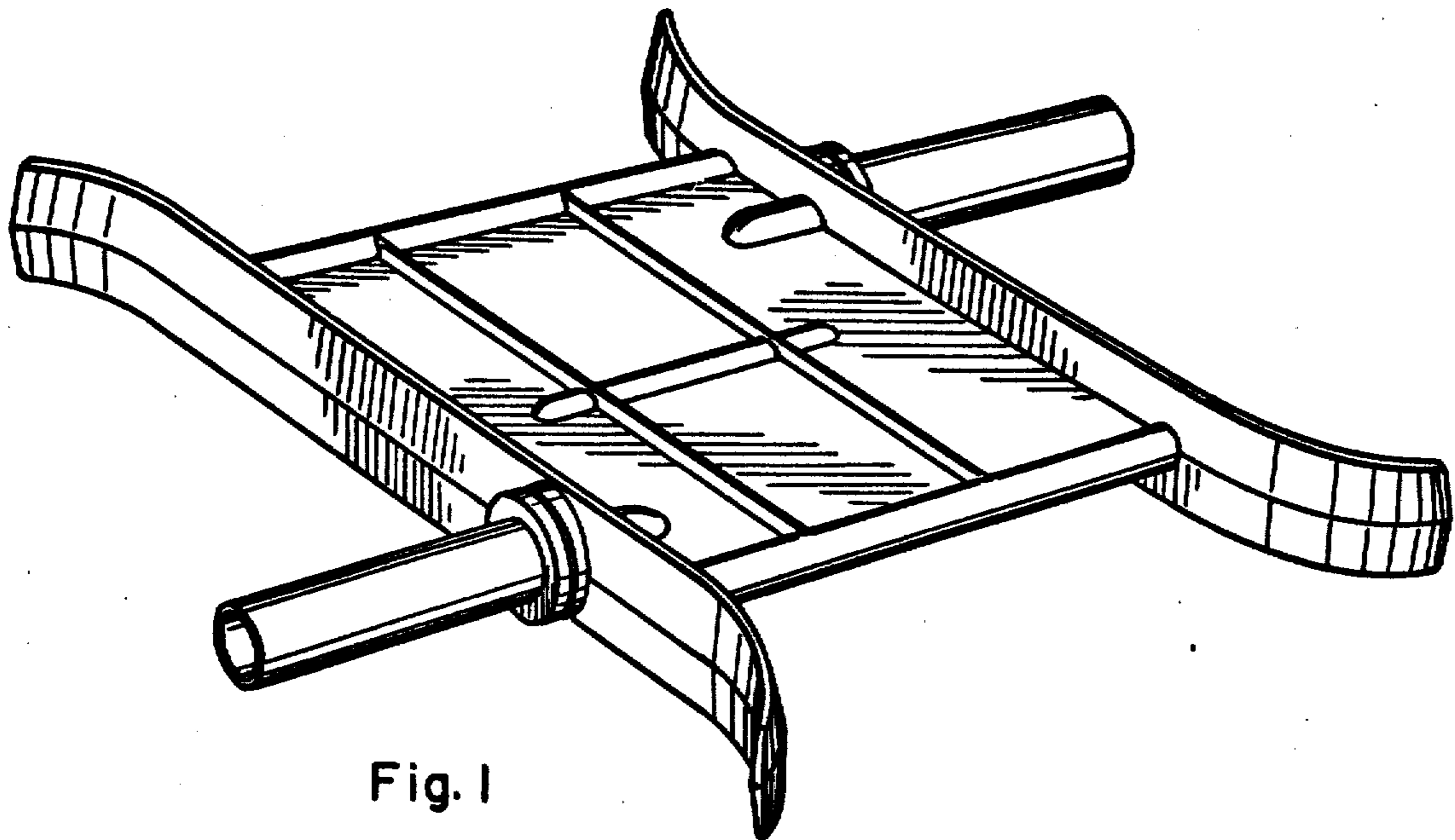


Fig. 1

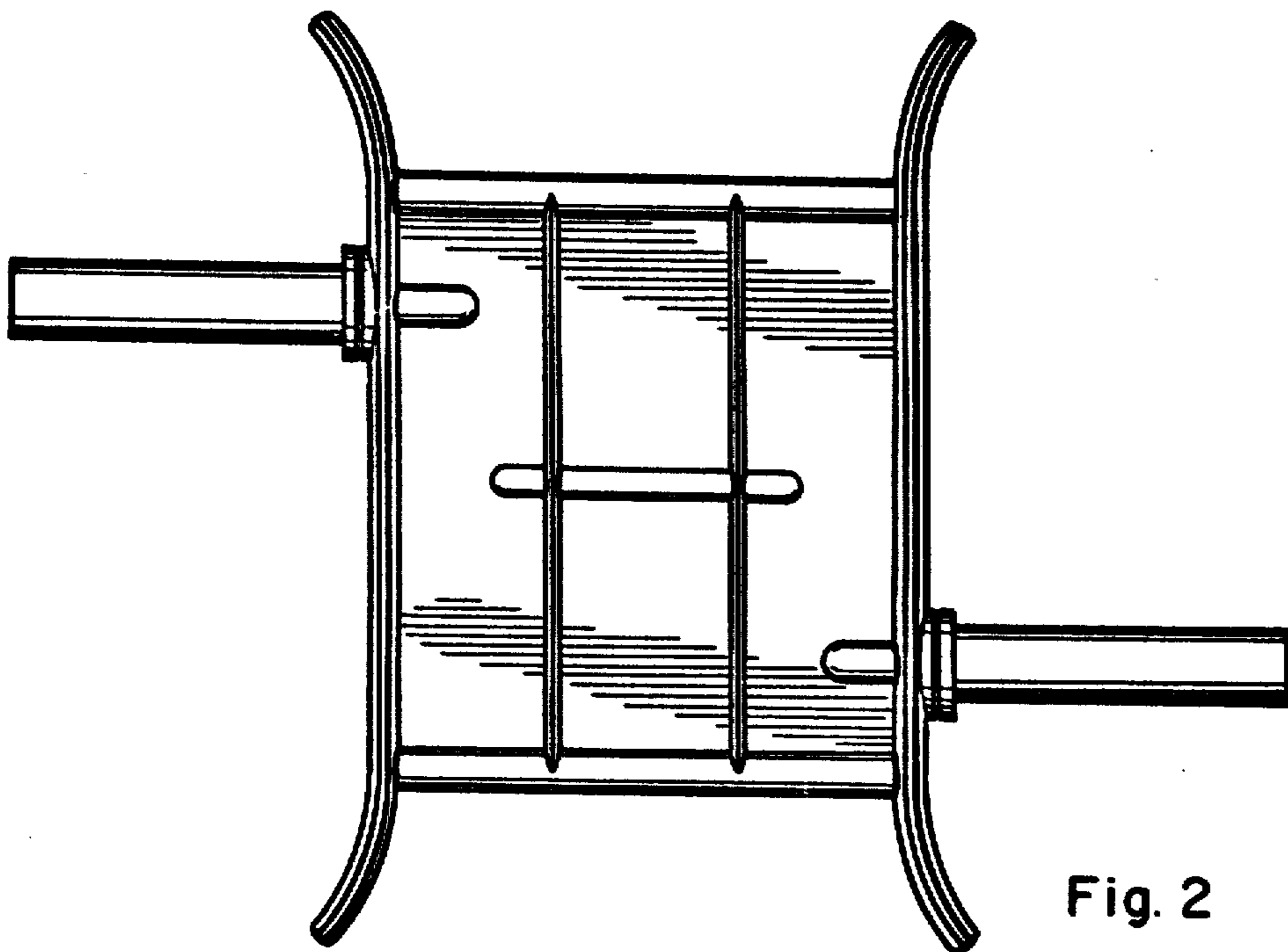


Fig. 2

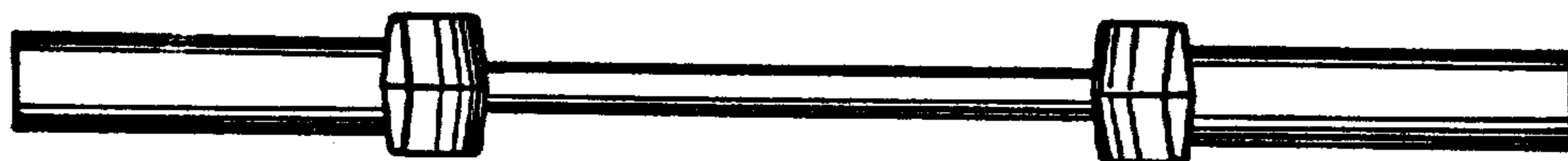


Fig. 3



Fig. 4