

[54] CUP HOLDER

[76] Inventor: Jack Douglas, 11645 Montana Ave., Los Angeles, Calif. 90049

[**] Term: 14 Years

[21] Appl. No.: 55,516

[22] Filed: Jul. 9, 1979

[51] Int. Cl. D07-01

[52] U.S. Cl. D7/70; D7/9

[58] Field of Search D7/70, 45, 130, 77, D7/3, 9; 248/346.1

[56] References Cited

U.S. PATENT DOCUMENTS

D. 170,409	9/1953	Hare	D7/9
D. 187,545	3/1960	Dennis	D7/70
D. 214,458	6/1969	Riley	D7/9
D. 225,076	11/1972	Persson	D7/9
3,257,024	6/1966	Semanchik	D7/3 X

Primary Examiner—Winifred E. Herrmann
Attorney, Agent, or Firm—John J. Posta, Jr.

[57] CLAIM

The ornamental design for a cup holder, substantially as shown and described.

DESCRIPTION

FIG. 1 is a top perspective view of a cup holder showing my new design;

FIG. 2 is a bottom perspective view thereof;

FIG. 3 is a top plan view thereof;

FIG. 4 is a side elevational view thereof;

FIG. 5 is an elevational view from the left side of FIG. 4;

FIG. 6 is an elevational view from the right side of FIG. 4;

FIG. 7 is a bottom plan view thereof;

FIG. 8 is a top perspective view taken of a modification;

FIG. 9 is a bottom perspective view thereof;

FIG. 10 is a top plan view thereof;

FIG. 11 is a side elevational view thereof;

FIG. 12 is an elevational view from the left side of FIG. 11;

FIG. 13 is an elevational view from the right side of FIG. 11; and

FIG. 14 is a bottom plan view thereof.

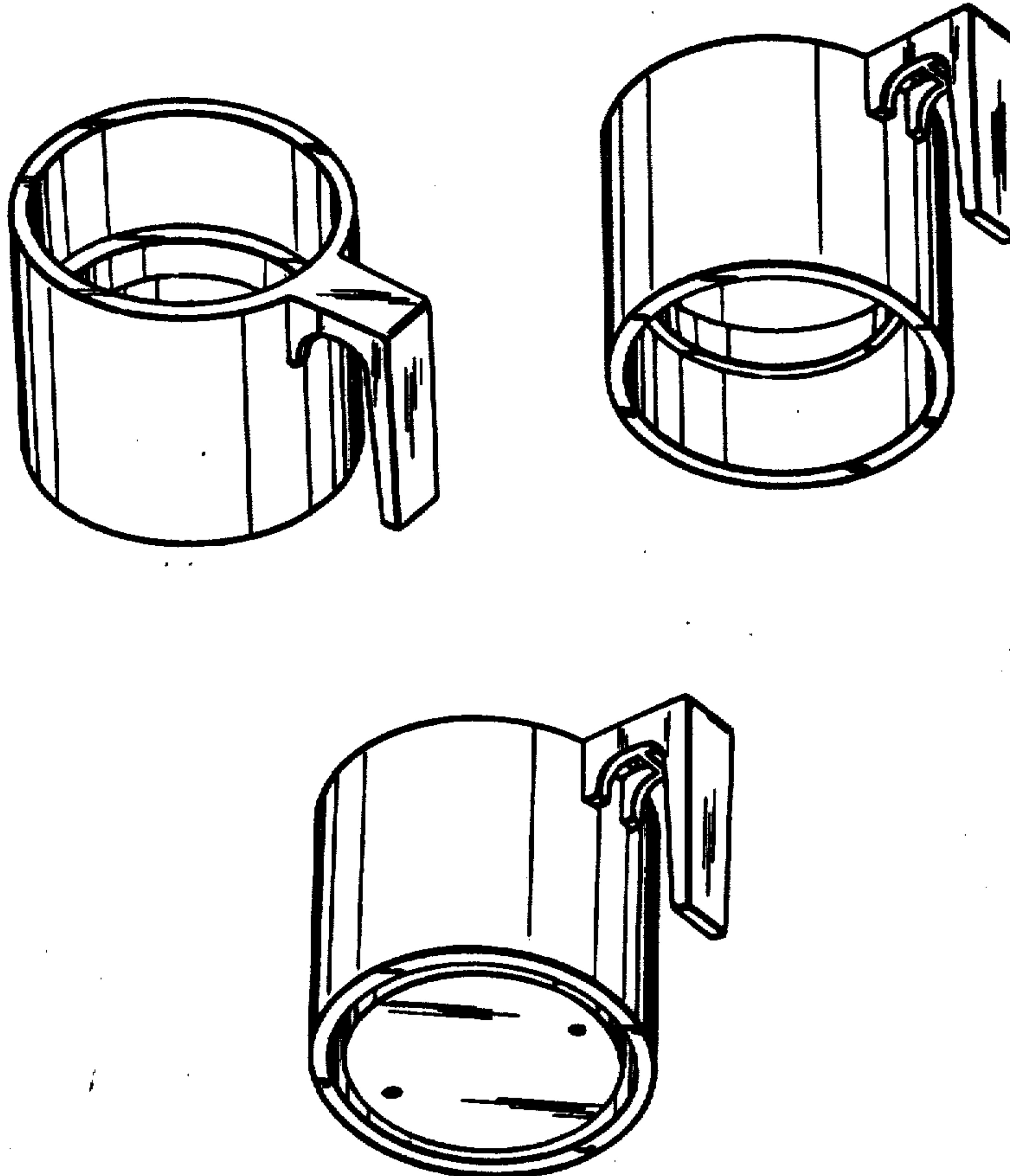


Fig. 1

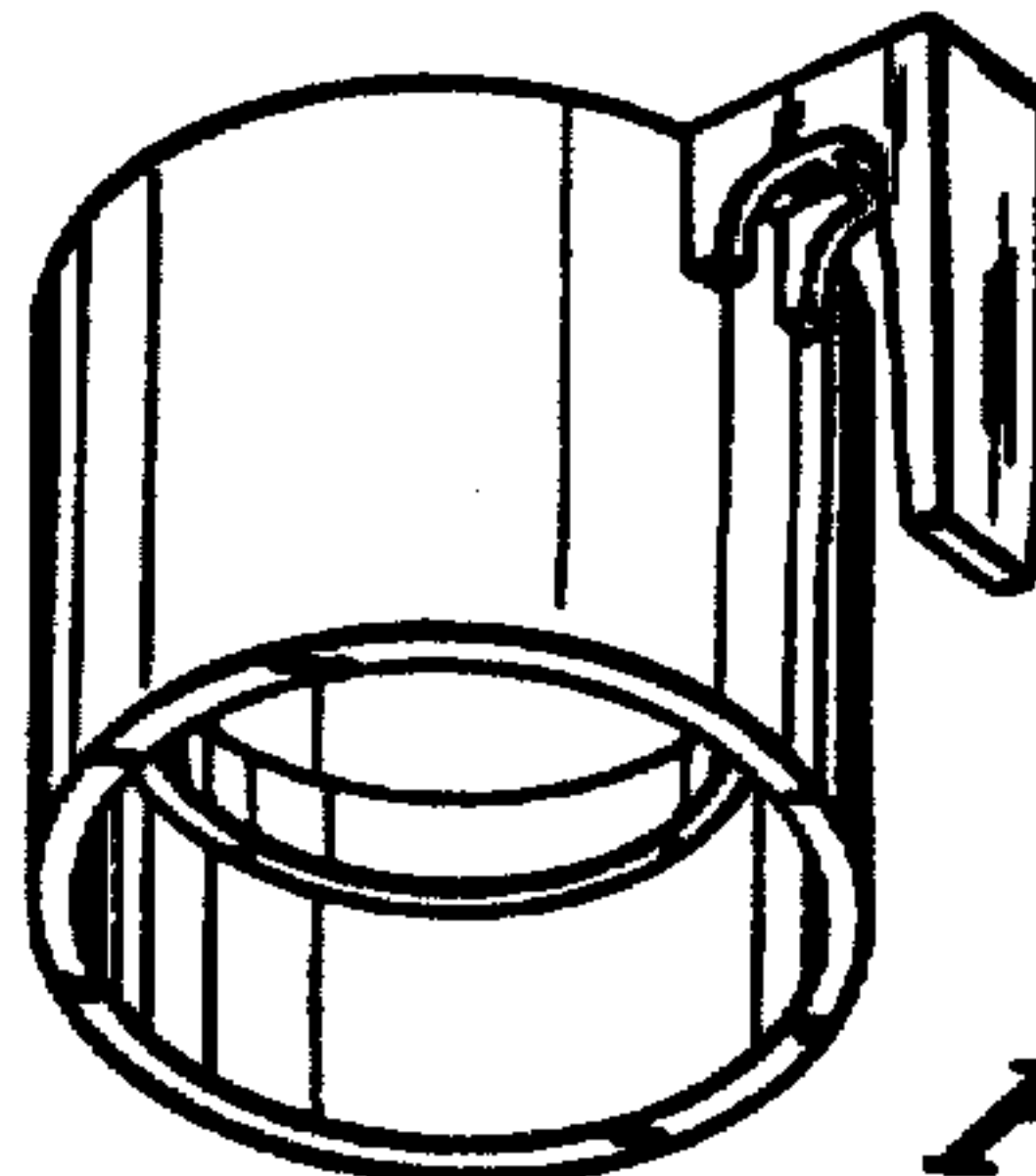
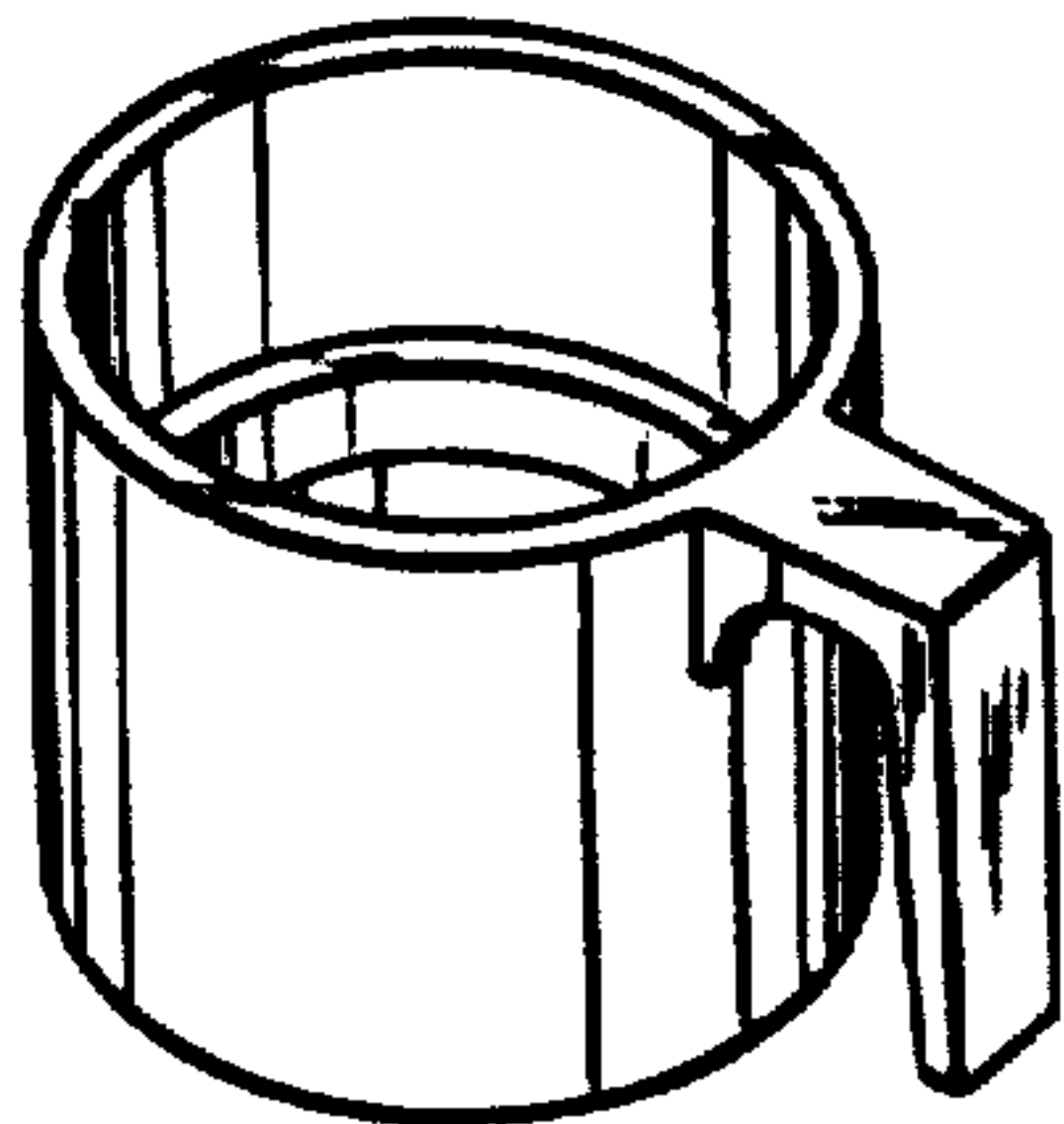


Fig. 2

Fig. 3

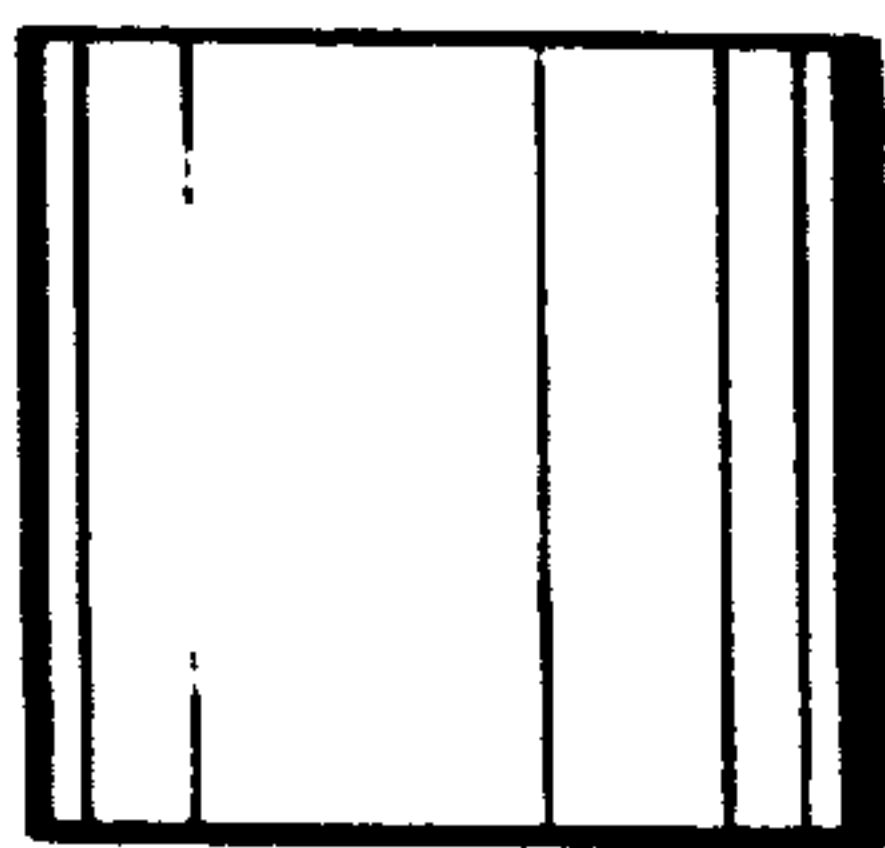
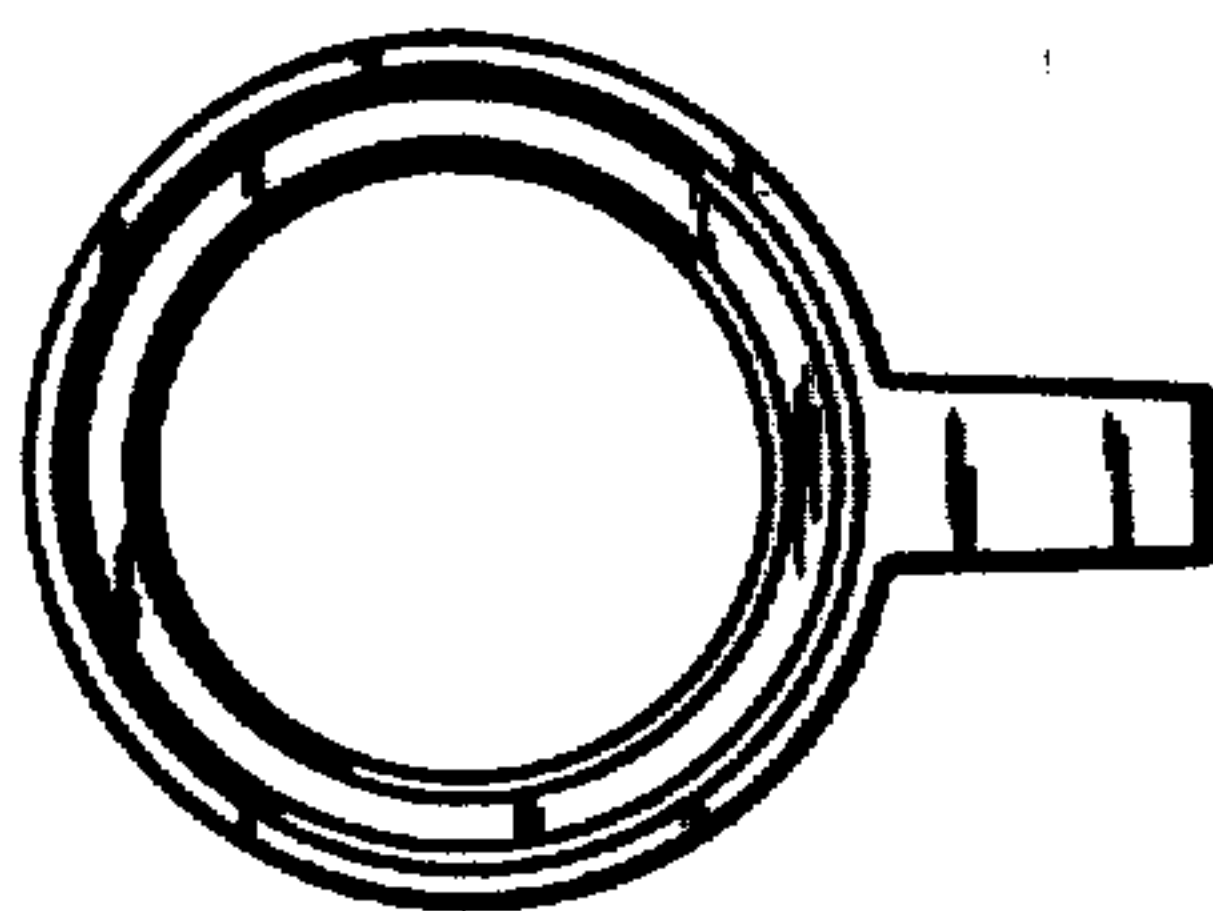


Fig. 5

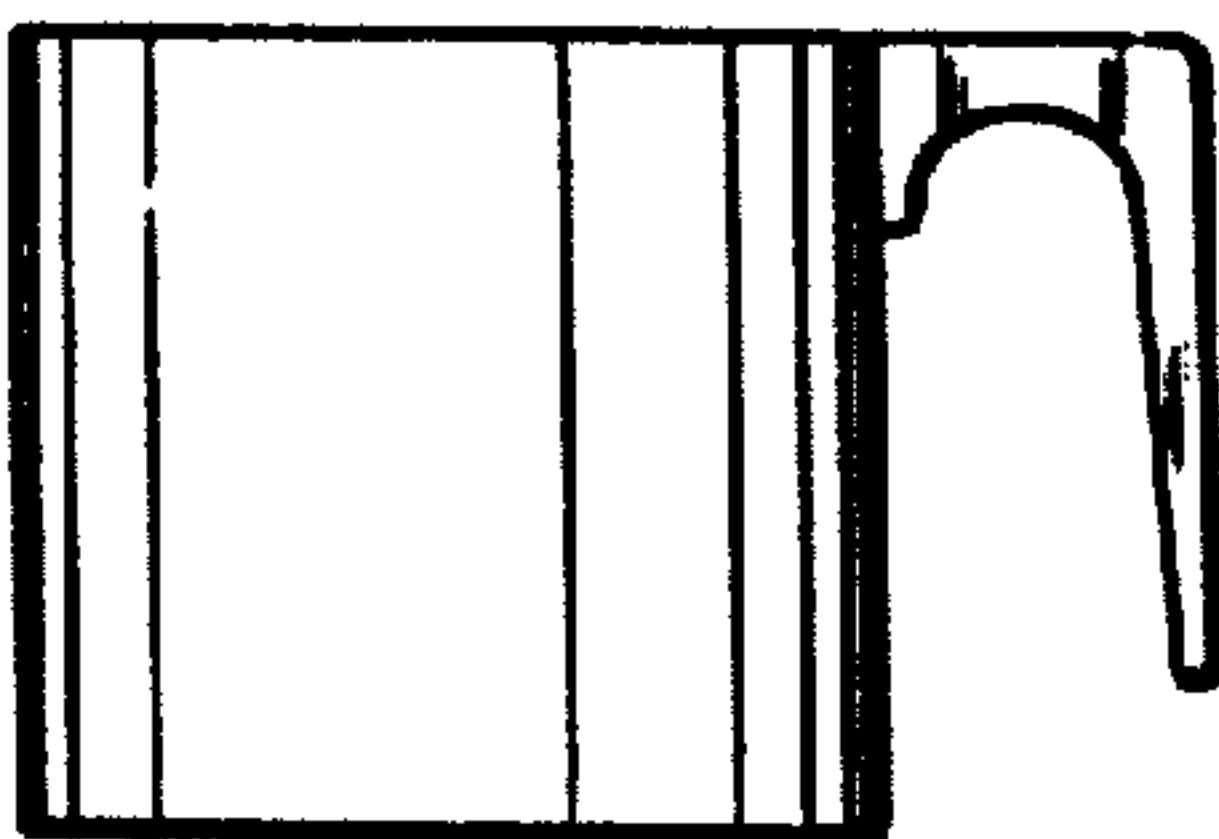


Fig. 4

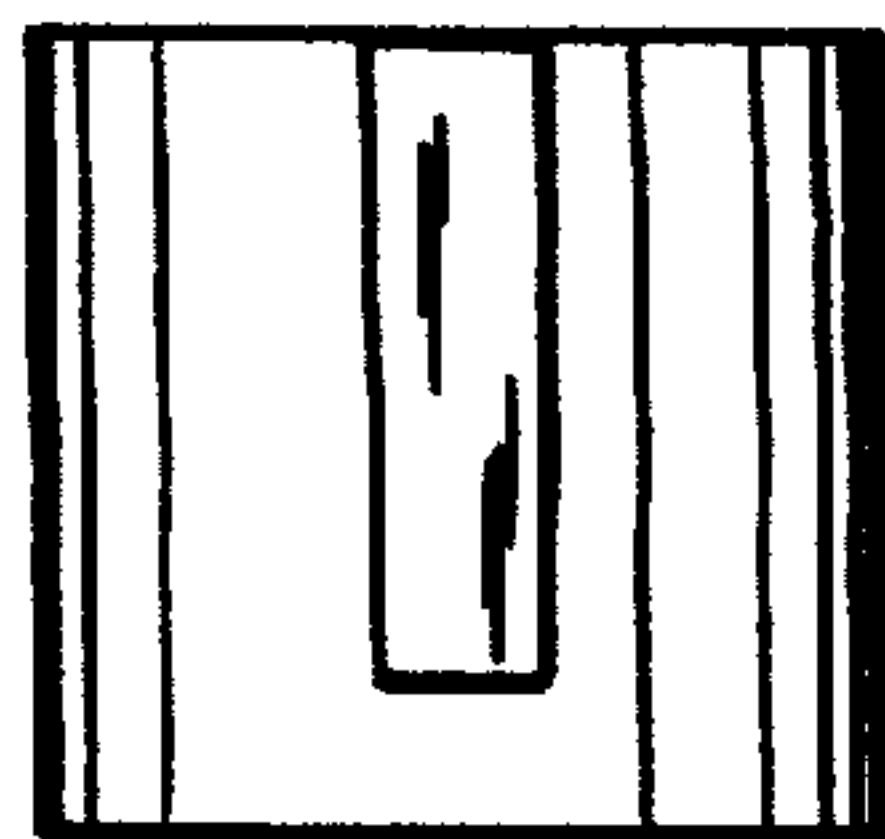


Fig. 6

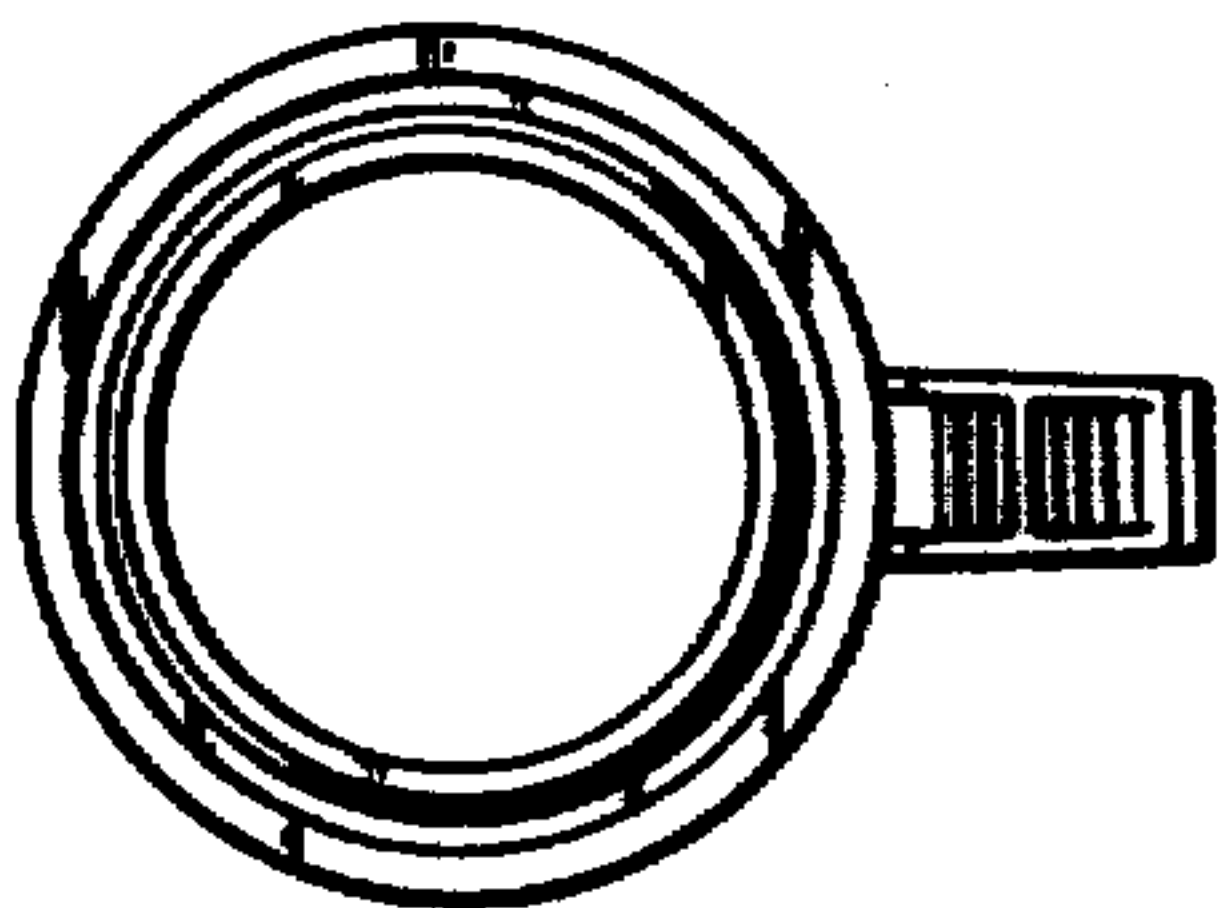


Fig. 7

Fig. 8

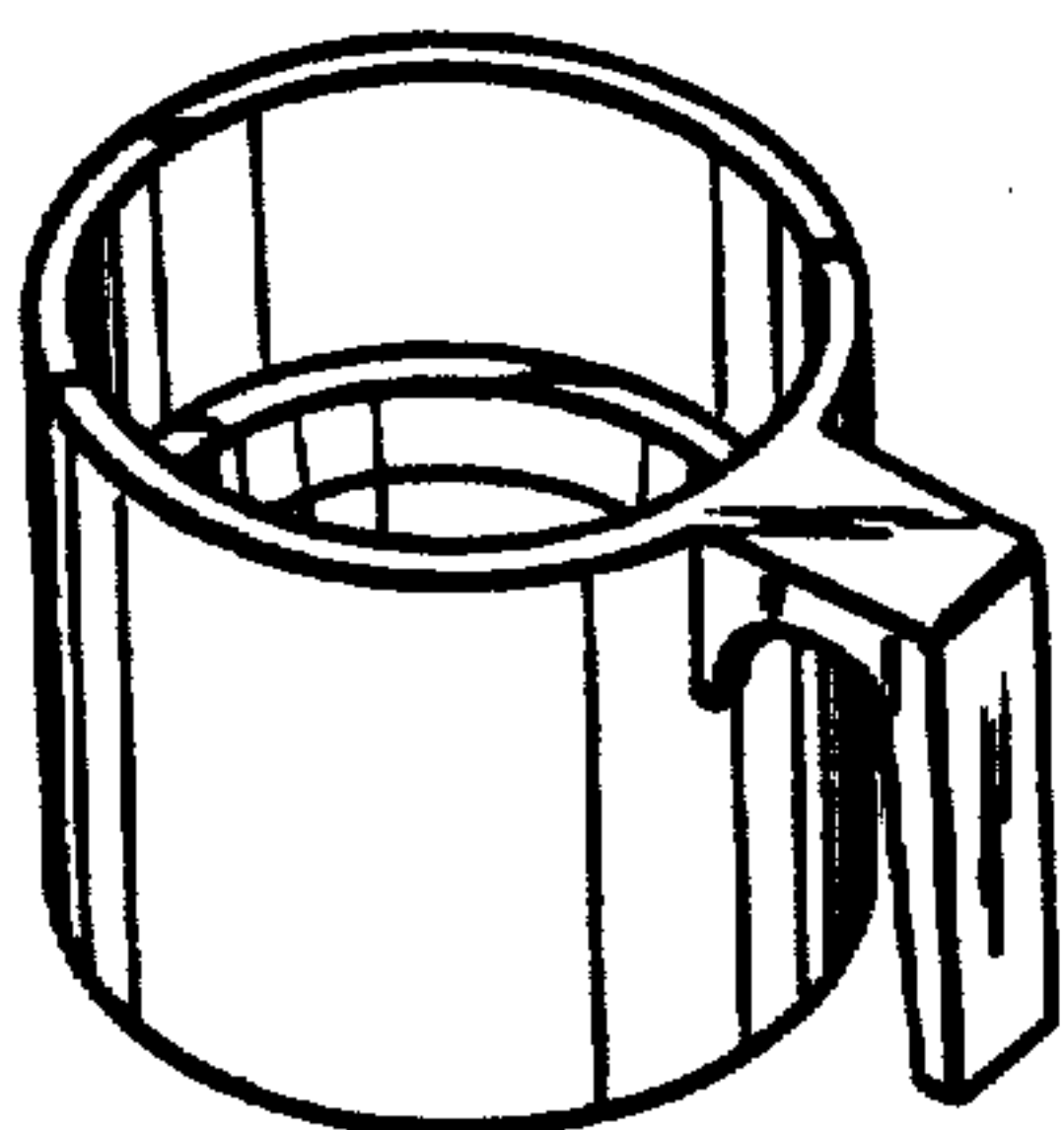


Fig. 9

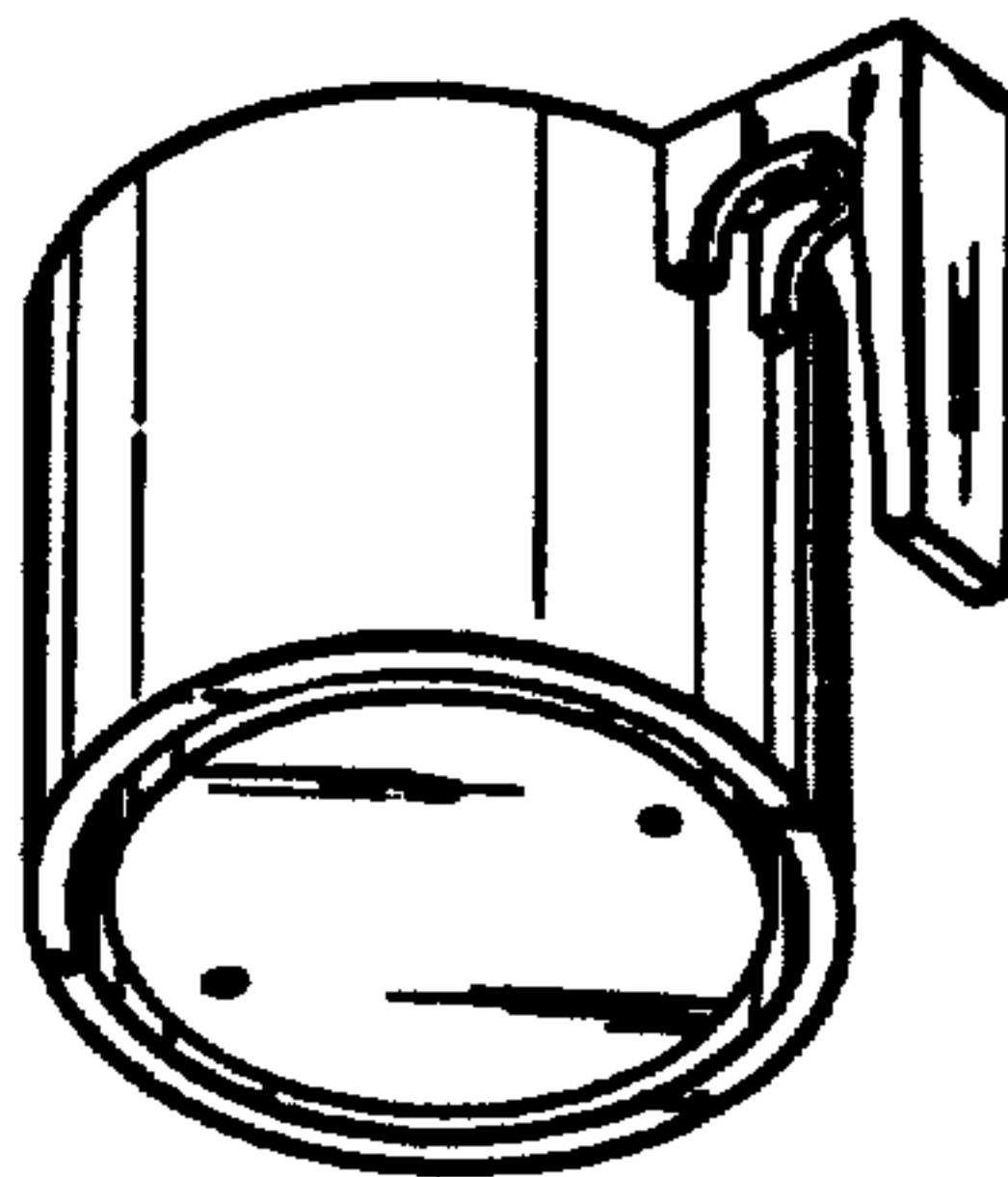


Fig. 10

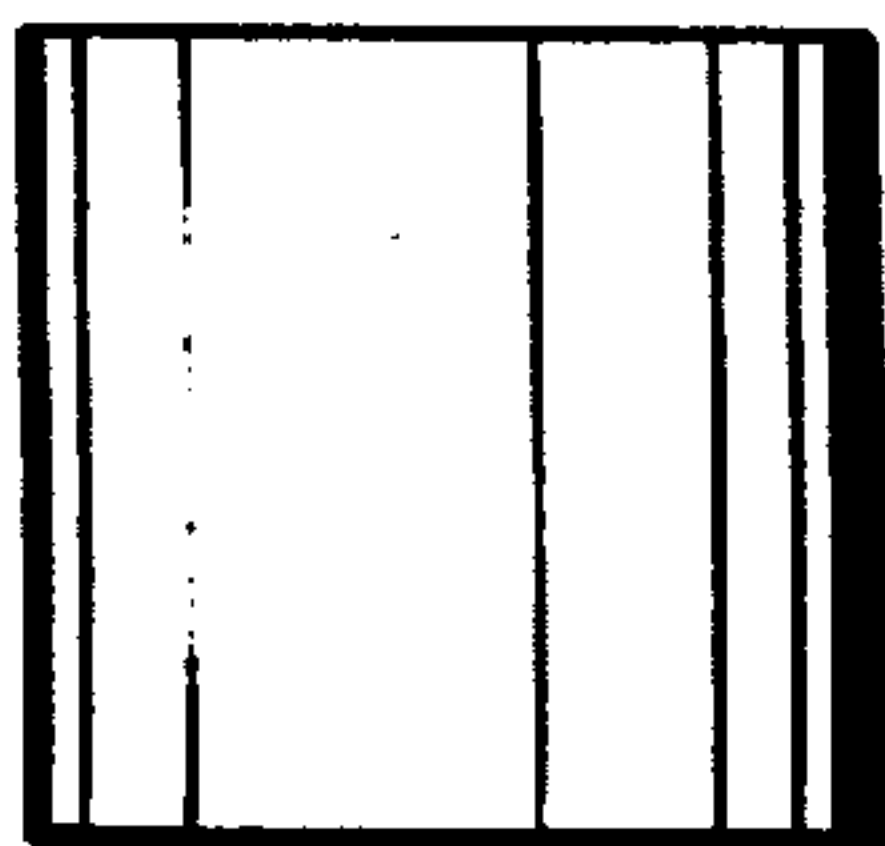
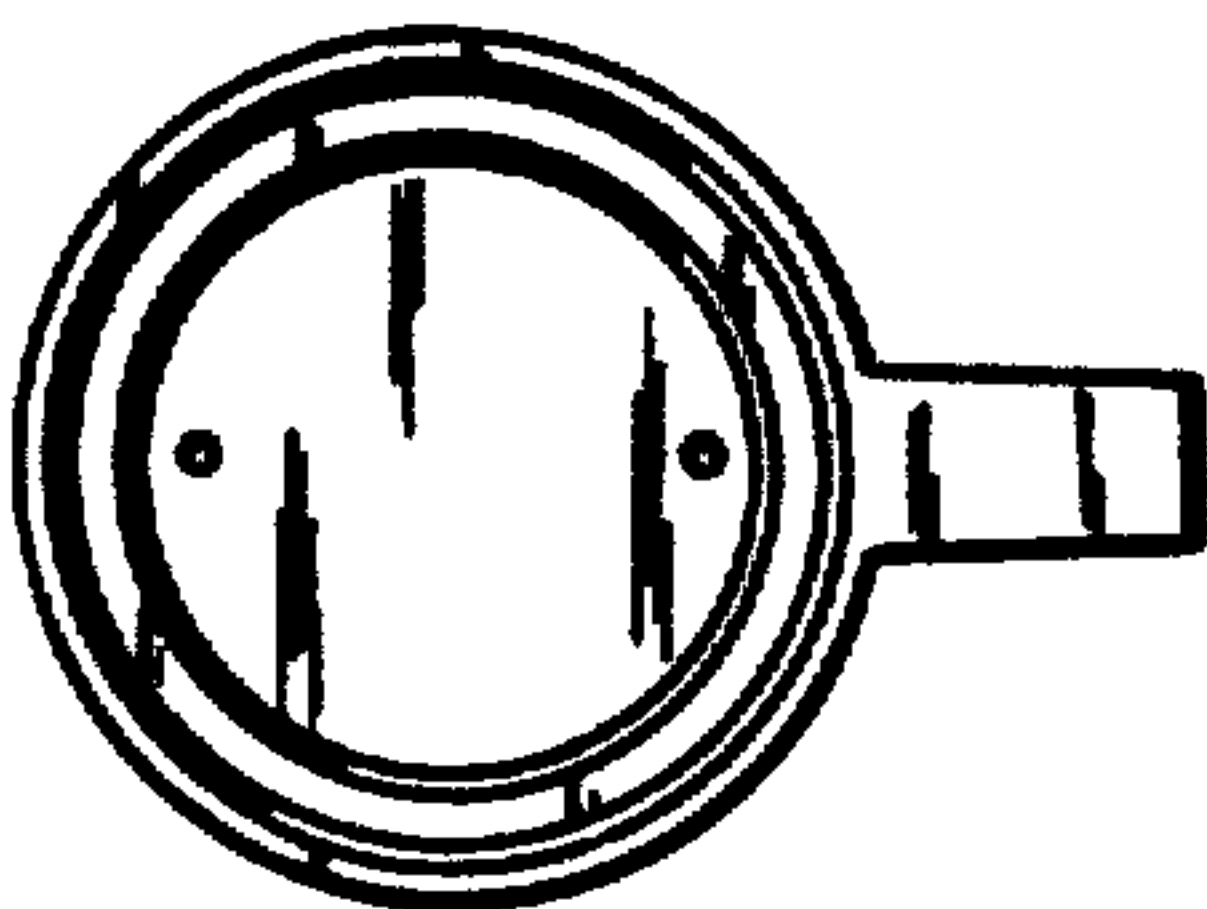


Fig. 12

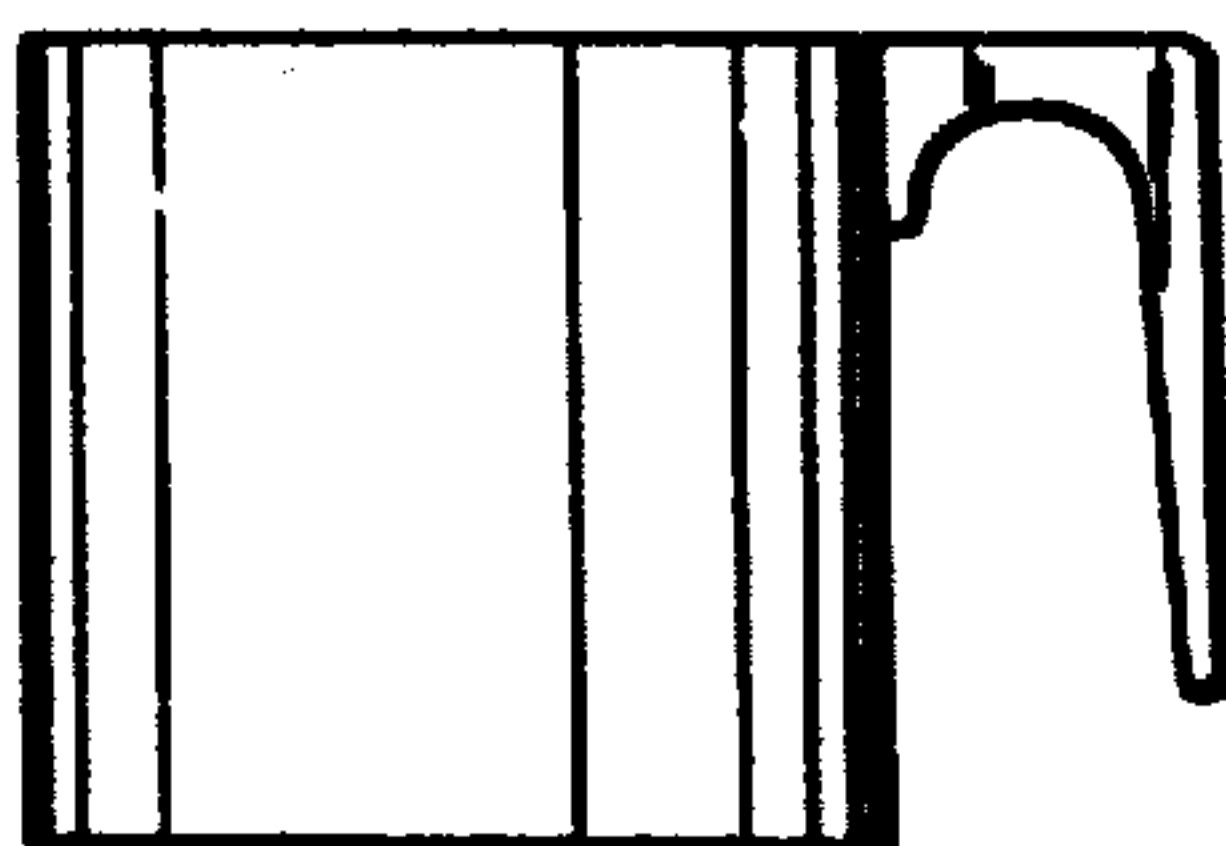


Fig. 11

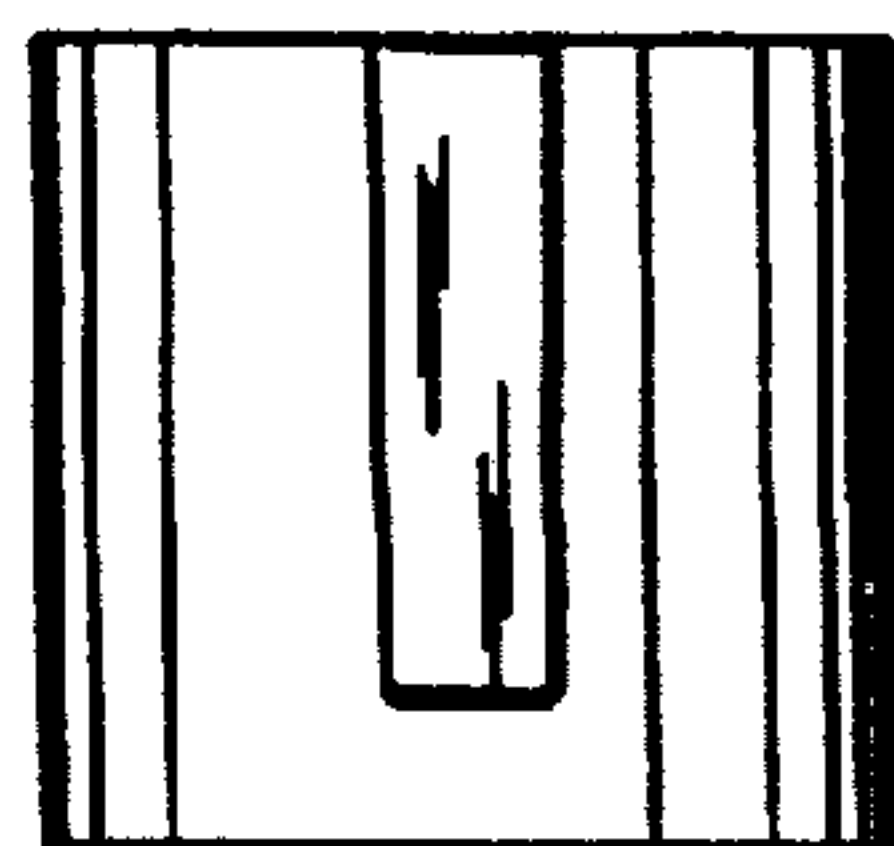


Fig. 13

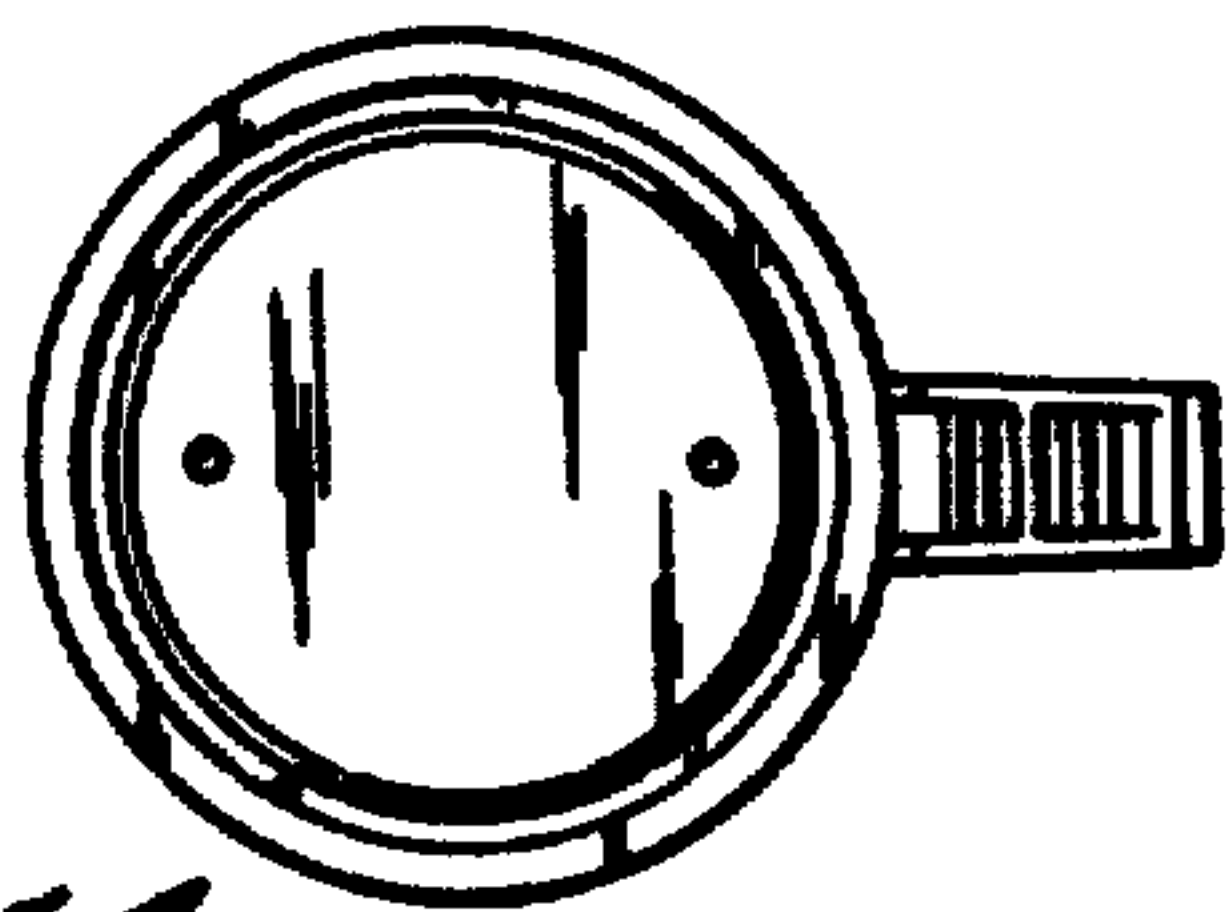


Fig. 14