

Blake et al.

[54] ROTATABLE FOOD SERVING ASSEMBLY

[75] Inventors: Joseph W. Blake, South Salem, N.Y.;
Anne W. Allen, Albany, Ga.

[73] Assignee: Dart Industries Inc., Los Angeles,
Calif.

[**] Term: 14 Years

[21] Appl. No.: 51,277

[22] Filed: Jun. 22, 1979

[51] Int. Cl. D07-01

[52] U.S. Cl. D7/2; D7/3;
D7/81

[58] Field of Search D7/2, 3, 4, 17, 81,
D7/79, 76; 211/78, 131; 220/23.86

[56]

References Cited

U.S. PATENT DOCUMENTS

| | | | |
|------------|---------|----------------|---------|
| D. 92,981 | 8/1934 | Scurlock | D7/81 |
| D. 94,099 | 12/1934 | Scurlock | D7/81 |
| D. 99,608 | 5/1936 | Scurlock | D7/81 |
| D. 208,806 | 10/1967 | Bliss | D7/81 |
| D. 212,109 | 8/1968 | Taylor | D7/81 |
| 1,761,483 | 6/1930 | McGinnis | D7/76 X |

Primary Examiner—Winifred E. Herrmann
Attorney, Agent, or Firm—Kenneth J. Hovet

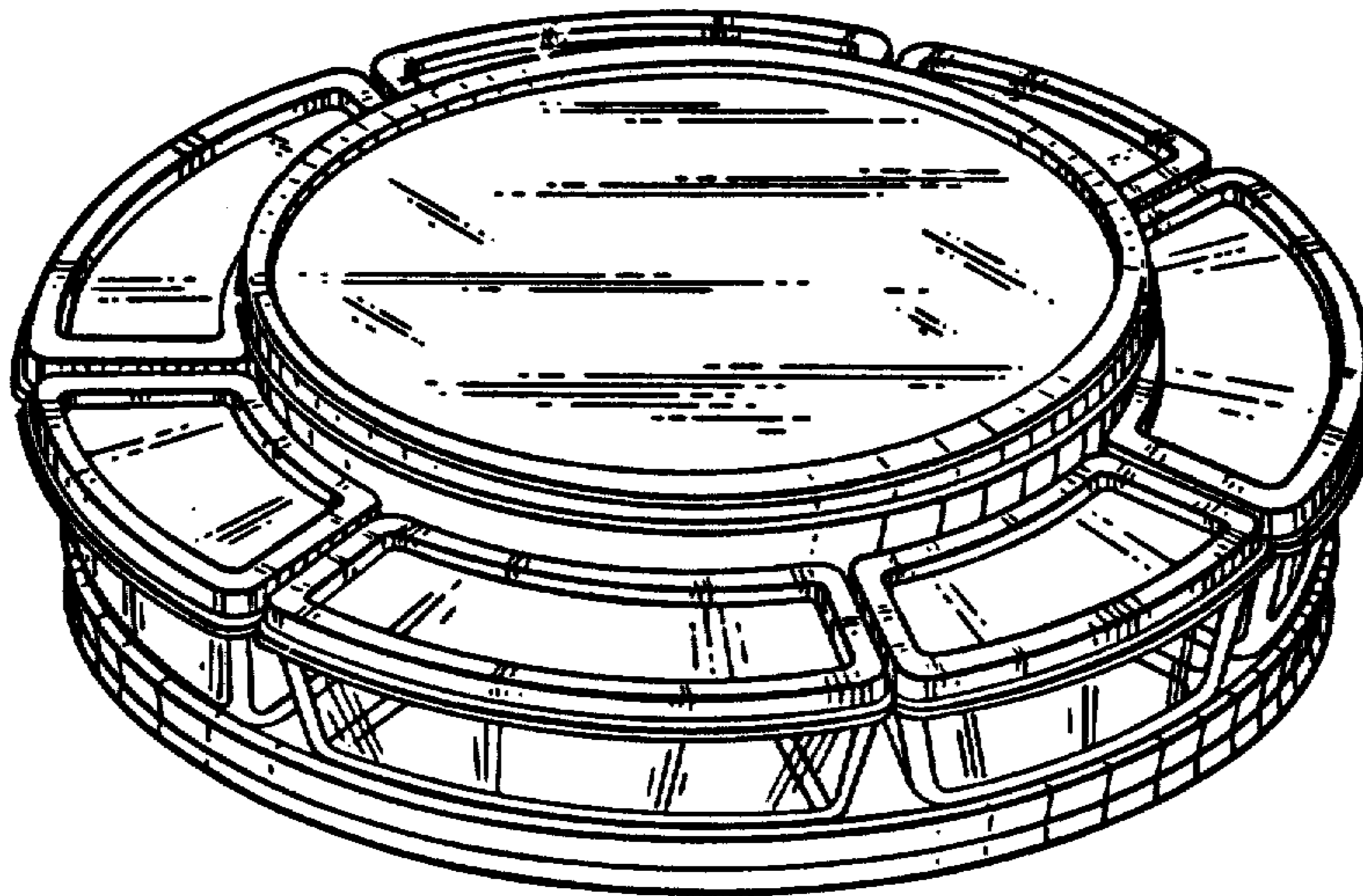
[57]

CLAIM

The ornamental design for a rotatable food serving assembly, substantially as shown.

DESCRIPTION

FIG. 1 is a perspective view of a rotatable food serving assembly showing our new design;
FIG. 2 is a top plan view;
FIG. 3 is a side elevational view; and,
FIG. 4 is a bottom plan view.



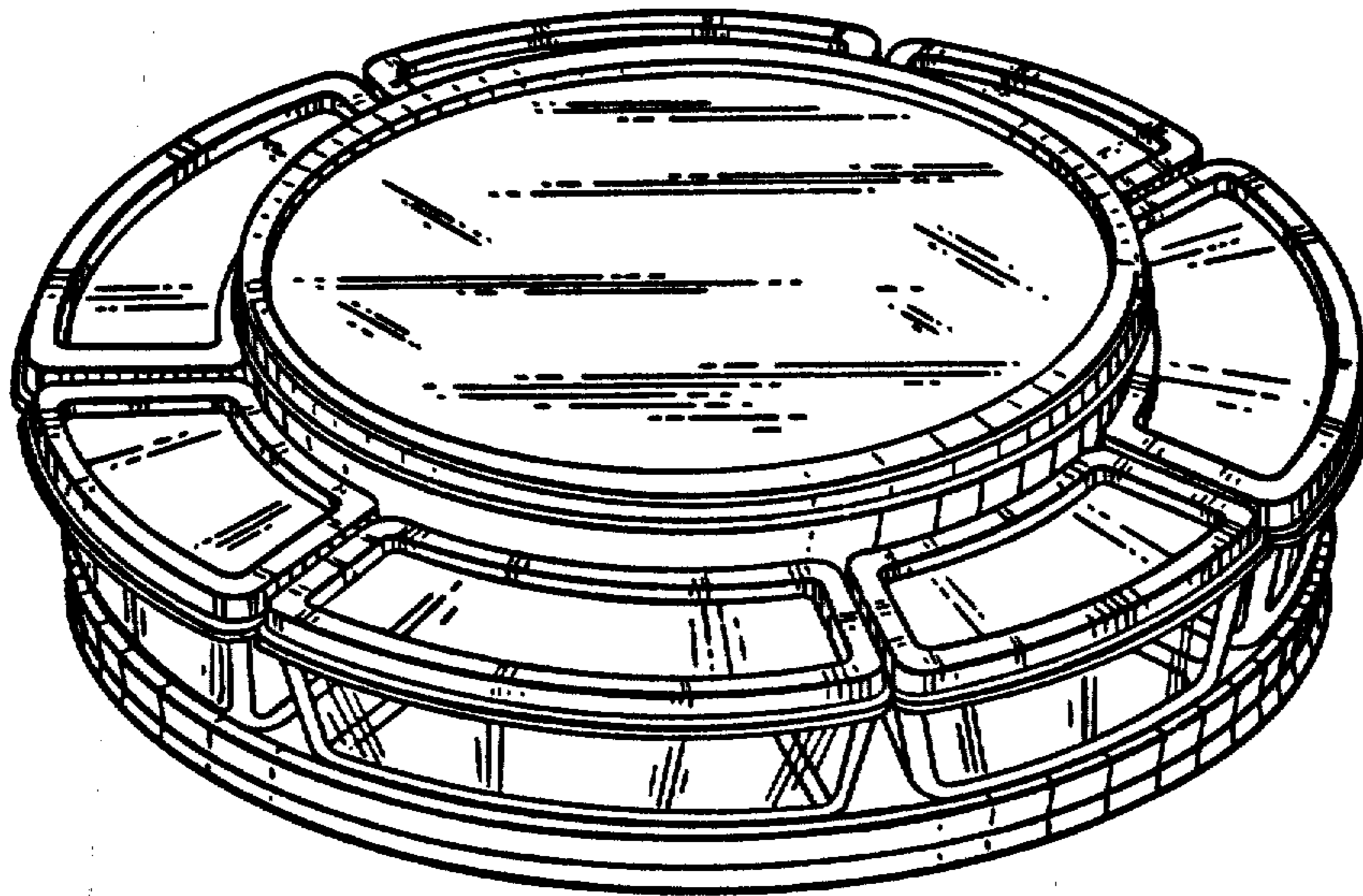


FIG. 1

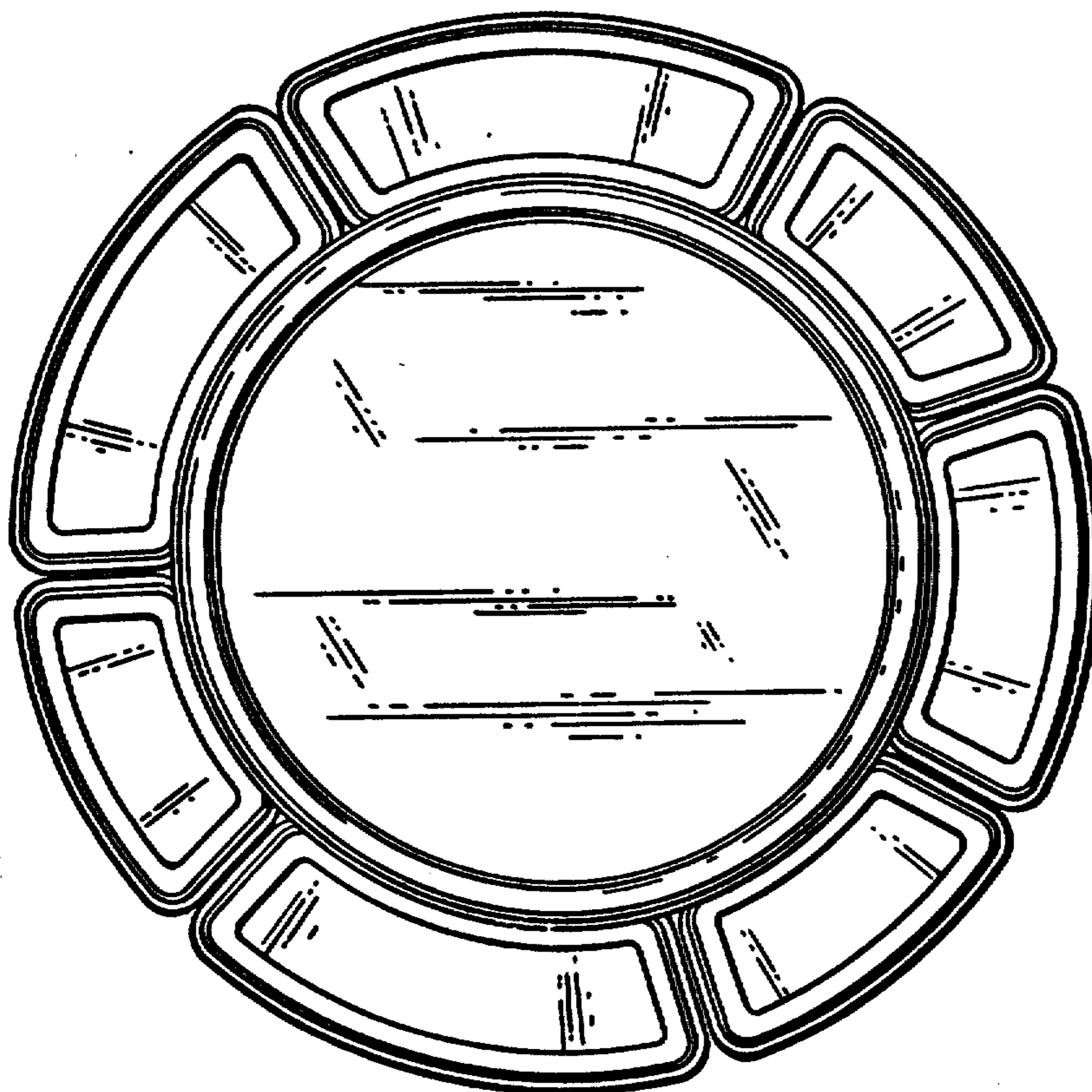


FIG. 2

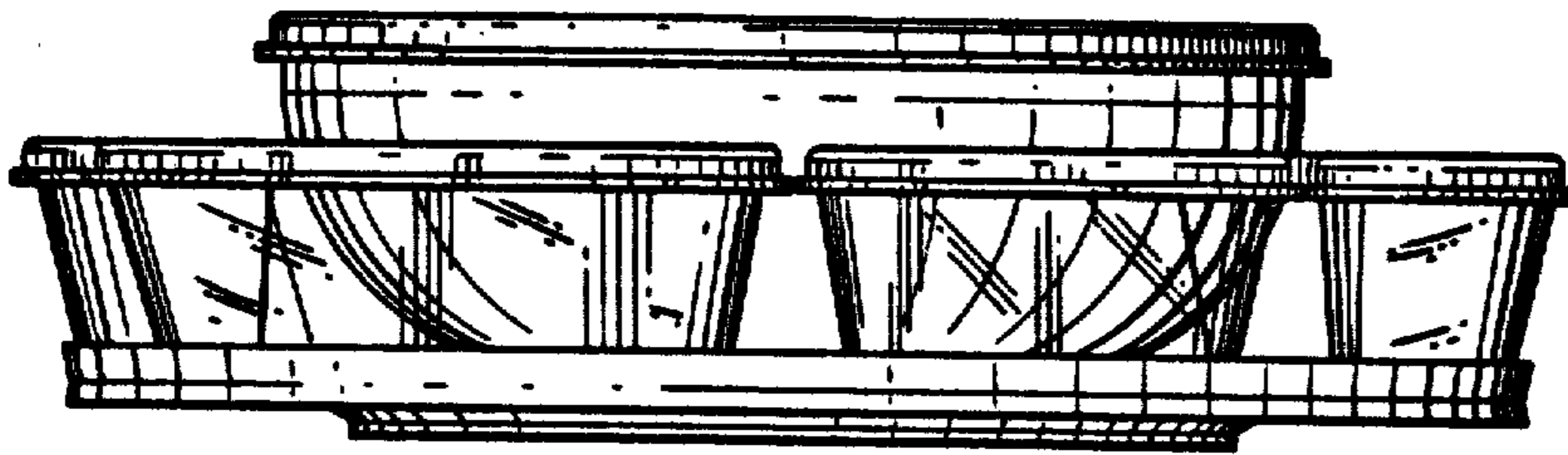


FIG. 3

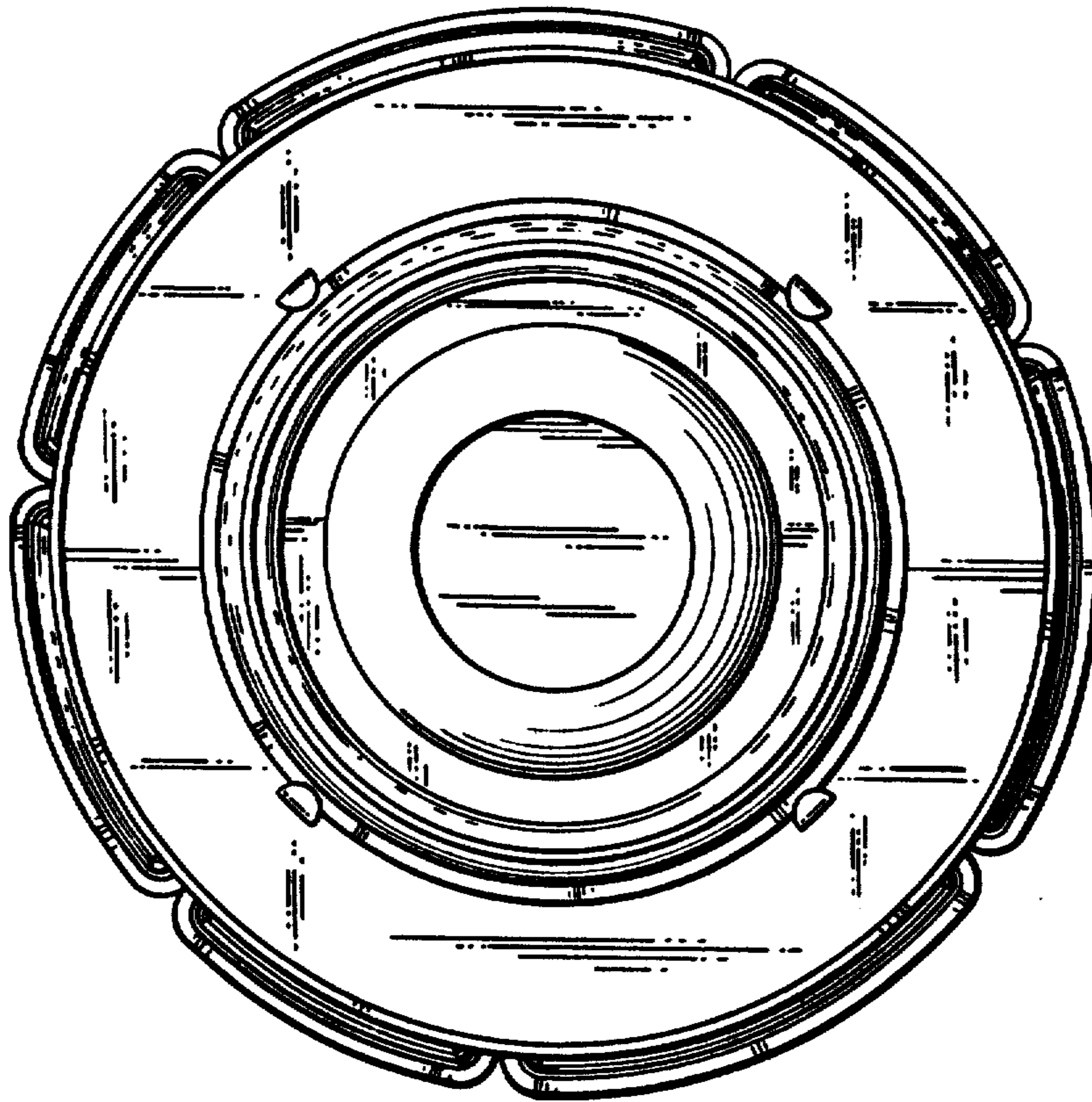


FIG. 4